



US00D731856S

(12) **United States Design Patent**
Hill et al.

(10) **Patent No.:** **US D731,856 S**
(45) **Date of Patent:** **** Jun. 16, 2015**

- (54) **VESSEL**
- (71) Applicants: **Nicholas Hill**, Bend, OR (US); **John Herrick**, Sunriver, OR (US)
- (72) Inventors: **Nicholas Hill**, Bend, OR (US); **John Herrick**, Sunriver, OR (US)

D452,655 S *	1/2002	Considine	D9/556
D546,686 S *	7/2007	Warner	D9/502
D619,459 S *	7/2010	Walsh	D9/500
D622,145 S *	8/2010	Walsh	D9/500
8,016,148 B2 *	9/2011	Walsh	220/288
D696,585 S *	12/2013	Manne et al.	D9/500
D696,945 S *	1/2014	Newman	D9/500
D705,065 S *	5/2014	Egret	D9/502
D706,634 S *	6/2014	Herman et al.	D9/500
2014/0231442 A1 *	8/2014	Hill et al.	220/740

- (**) Term: **14 Years**
- (21) Appl. No.: **29/484,733**
- (22) Filed: **Mar. 12, 2014**

* cited by examiner

Primary Examiner — Susan Bennett Hattan
Assistant Examiner — Leanne Was
(74) *Attorney, Agent, or Firm* — Leber Patent Law P.C.

Related U.S. Application Data

- (63) Continuation of application No. 13/931,038, filed on Jun. 28, 2013, now Pat. No. 8,887,959.
- (51) **LOC (10) Cl.** **07-01**
- (52) **U.S. Cl.**
USPC **D7/532**
- (58) **Field of Classification Search**
USPC D7/300, 300.1, 500, 509–511, 523, 532, D7/543; D9/516, 530, 537, 538, 541, 549, D9/556, 557, 559, 569, 570; 215/379, 215/382–384, 386, 387; 220/669, 675, 740
See application file for complete search history.

(57) **CLAIM**

What is claimed is the ornamental design for a vessel, as shown and described.

DESCRIPTION

FIG. 1 is a top perspective view of a vessel;
FIG. 2 is a right-side elevational view thereof (the left, front and rear side elevational views are all identical to this view and thus are omitted);
FIG. 3 is a top elevational view thereof; and,
FIG. 4 is a bottom elevational view thereof.
The broken lines depict portions of the vessel that form no part of the claimed design.

(56) **References Cited**

U.S. PATENT DOCUMENTS

D309,711 S *	8/1990	Biesecker	D9/500
D397,941 S *	9/1998	Lauth	D9/502
D450,589 S *	11/2001	Haake et al.	D9/502

1 Claim, 3 Drawing Sheets

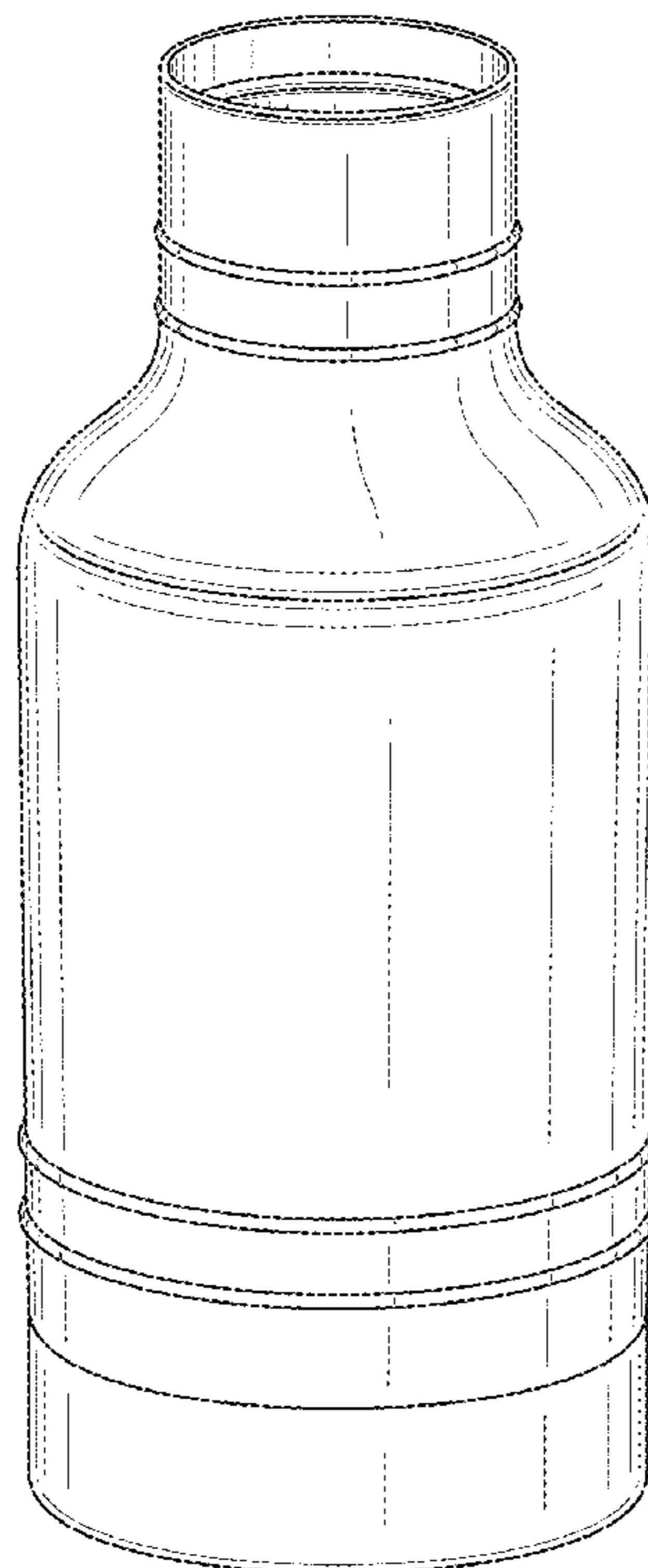


FIG. 1

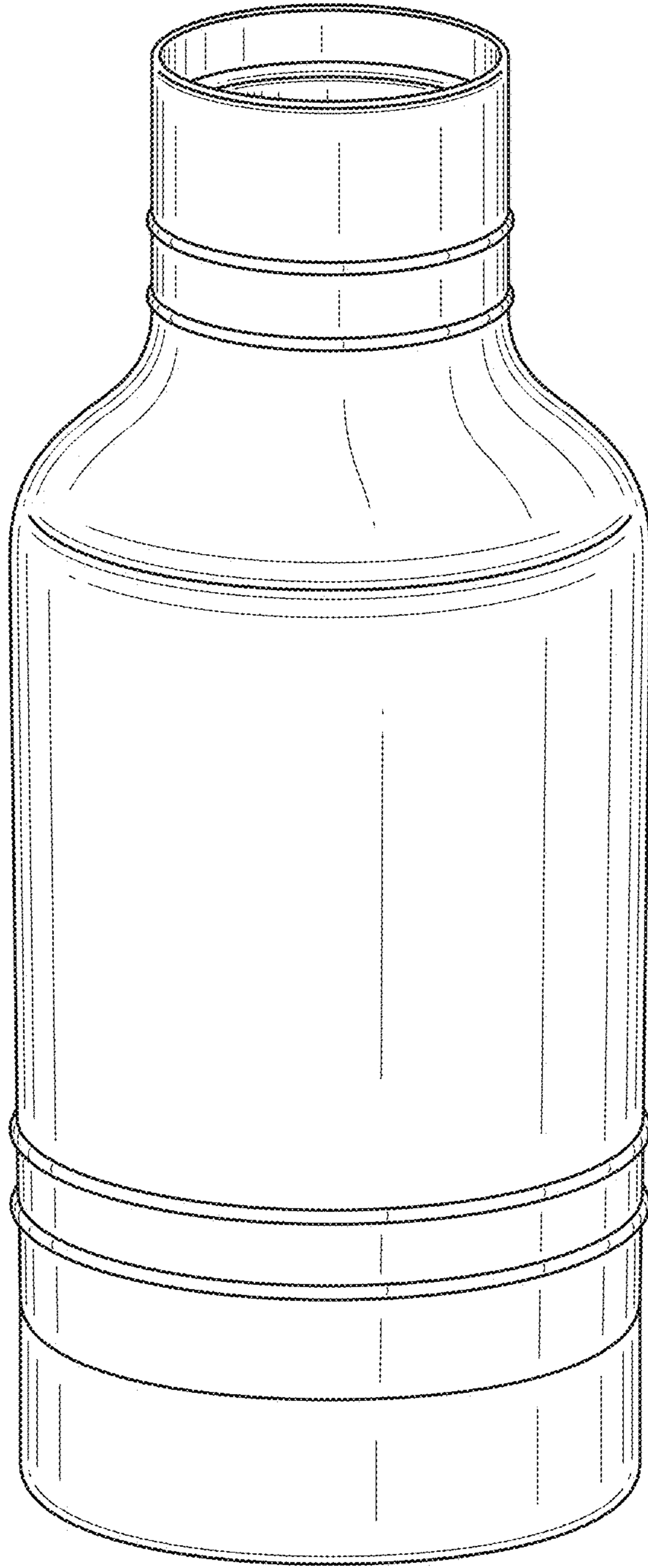


FIG. 2

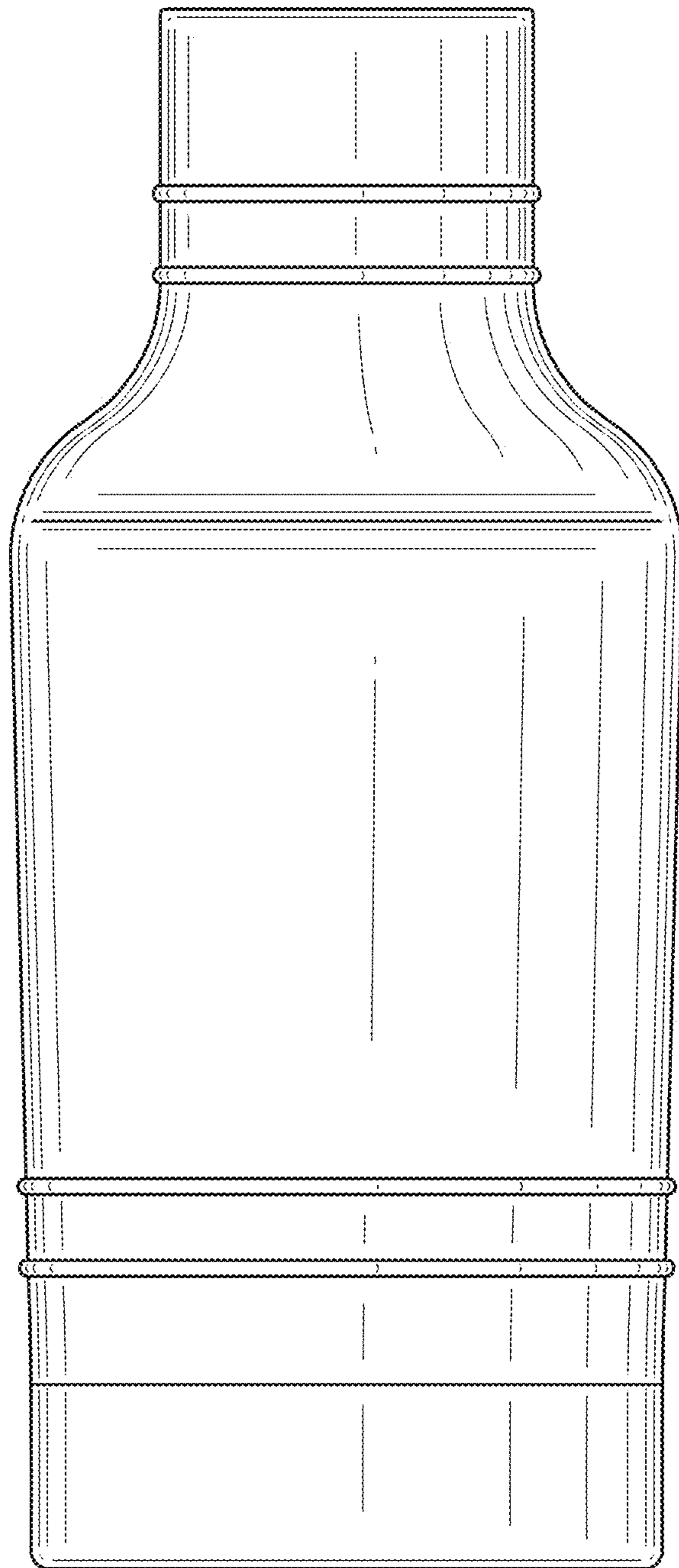


FIG. 3

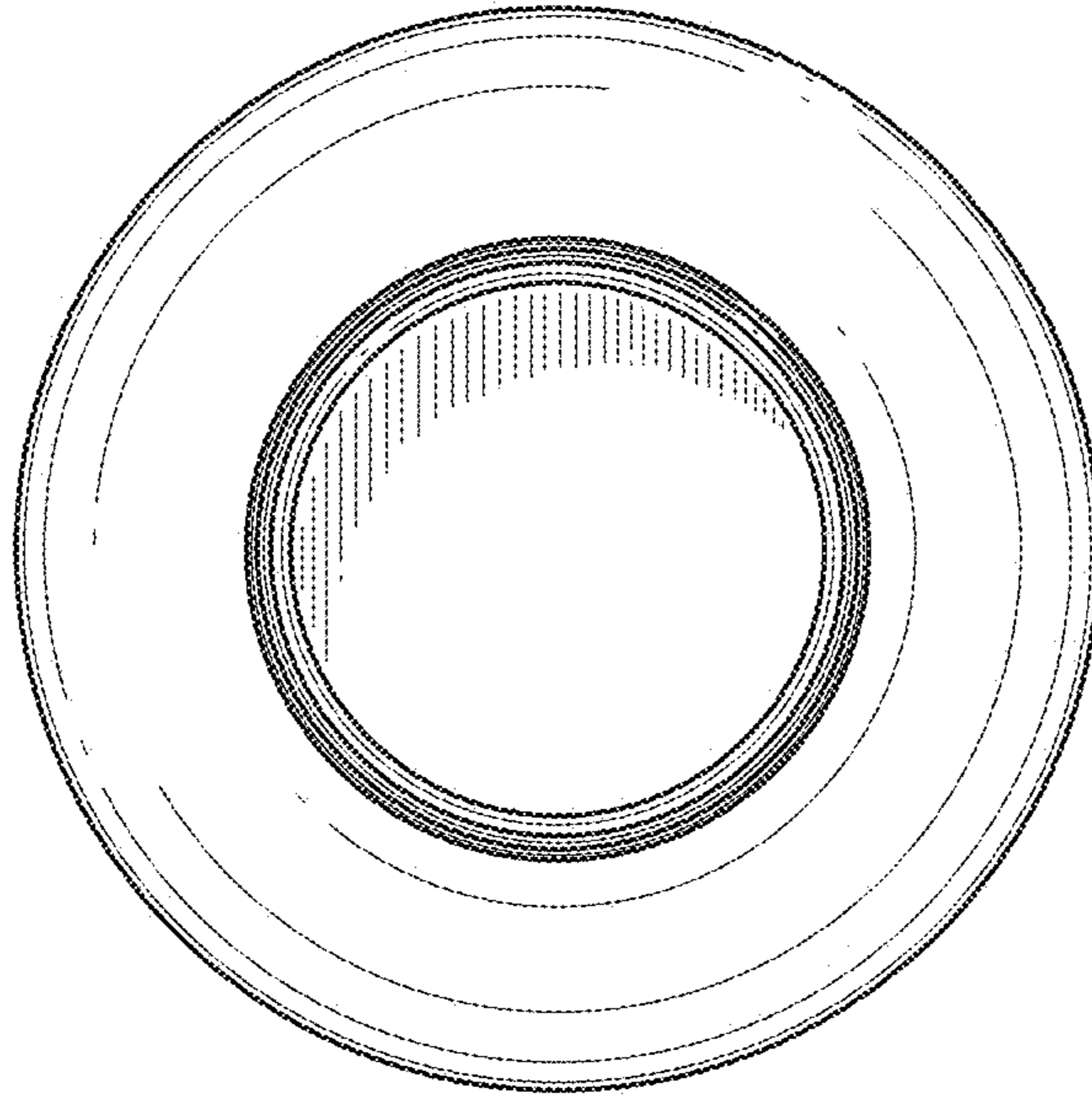


FIG. 4

