



US00D731854S

(12) **United States Design Patent**
Weng

(10) **Patent No.:** **US D731,854 S**
(45) **Date of Patent:** **** Jun. 16, 2015**

- (54) **BLADE GUIDE HANDLE**
- (71) Applicant: **Chao Jing Weng**, Alexandria, LA (US)
- (72) Inventor: **Chao Jing Weng**, Alexandria, LA (US)
- (**) Term: **14 Years**
- (21) Appl. No.: **29/459,445**
- (22) Filed: **Jun. 28, 2013**
- (51) **LOC (10) Cl.** **31-00**
- (52) **U.S. Cl.**
USPC **D7/412**
- (58) **Field of Classification Search**
USPC D7/372, 376–386, 412–413, 602, 629,
D7/665–666, 669, 673, 679, 693–694;
D22/134; 83/466.1, 762, 764, 870;
99/509–511, 538; 241/92, 98,
241/101.01–101.2, 166–169.1, 274–278.2,
241/285.1–285.3, 291, 292.1; 269/13;
366/64–65, 97–98, 100, 130, 197–201,
366/205–207, 219–220, 341–343
CPC A21C 1/02; A21C 1/04; A23G 9/285;
A23N 1/00; A23N 1/02; A47J 43/04; A47J
43/25; A47J 43/27; A47J 43/042; A47J
43/044; A47J 43/046; A47J 43/075; A47J
43/0722; A47J 43/0727; B01F 3/00; B01F
3/0807; B01F 3/0853; B01F 13/0059; B01F
13/0064; B02C 1/08; B02C 2/04; B02C 4/42;
B02C 4/142; B02C 4/143; B02C 4/423;
B02C 13/1835; B26B 29/063; B26D 1/553;
B26D 3/20; B28C 5/10; B28C 5/12; B28C
5/14; B28C 5/16
See application file for complete search history.

5,121,679 A *	6/1992	Mertz	99/538
5,386,755 A *	2/1995	Schneider et al.	83/762
D362,374 S *	9/1995	Roach	D7/673
5,653,154 A *	8/1997	Liu et al.	83/762
5,680,803 A *	10/1997	Vizurraga et al.	83/762
D389,380 S *	1/1998	Liu et al.	D7/673
6,202,529 B1 *	3/2001	Hodsdon	83/870
D690,986 S *	10/2013	Weng	D7/381
D708,696 S *	7/2014	Corbett, Jr.	D22/134

* cited by examiner

Primary Examiner — Ricky Pham

(57) **CLAIM**

The ornamental design for a blade guide handle, as shown and described.

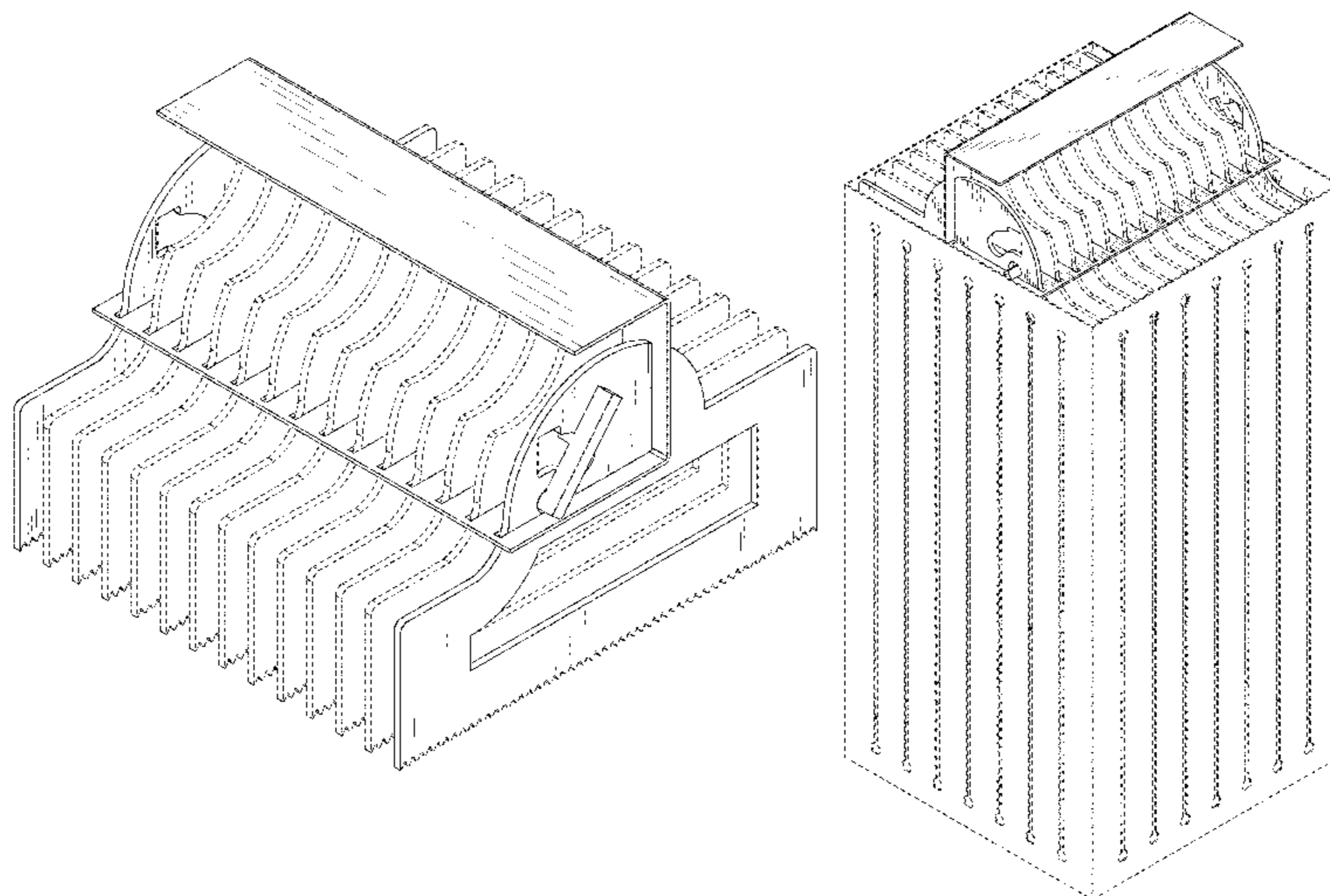
DESCRIPTION

FIG. 1 is a perspective view of a blade guide handle showing interior inserts between edge inserts;
 FIG. 2 is a perspective view thereof, omitting the interior inserts for easy of disclosure;
 FIG. 3 is a front of a blade guide handle showing interior inserts;
 FIG. 4 is a rear view thereof;
 FIG. 5 is a right view thereof;
 FIG. 6 is a left view thereof;
 FIG. 7 is a top view thereof;
 FIG. 8 is a bottom view thereof;
 FIG. 9 is a perspective view of a handle of the blade guide handle;
 FIG. 10 is a front view thereof;
 FIG. 11 is a side view of an edge insert of the blade guide handle; and,
 FIG. 12 is a perspective view showing the blade guide handle in use with a cutting container.
 The broken line showing interior inserts in FIG. 1, FIG. 3-FIG. 8, and FIG. 12, and the broken line showing a cutting container in FIG. 12, is included for the purpose of illustrating environmental structure and forms no part of the claimed design.

(56) **References Cited**
U.S. PATENT DOCUMENTS

1,462,717 A *	7/1923	Maus	269/13
1,753,371 A *	4/1930	Georgopoulos	83/466.1
3,452,795 A *	7/1969	Davies	83/762
4,085,642 A *	4/1978	Birmingham	83/764

1 Claim, 12 Drawing Sheets



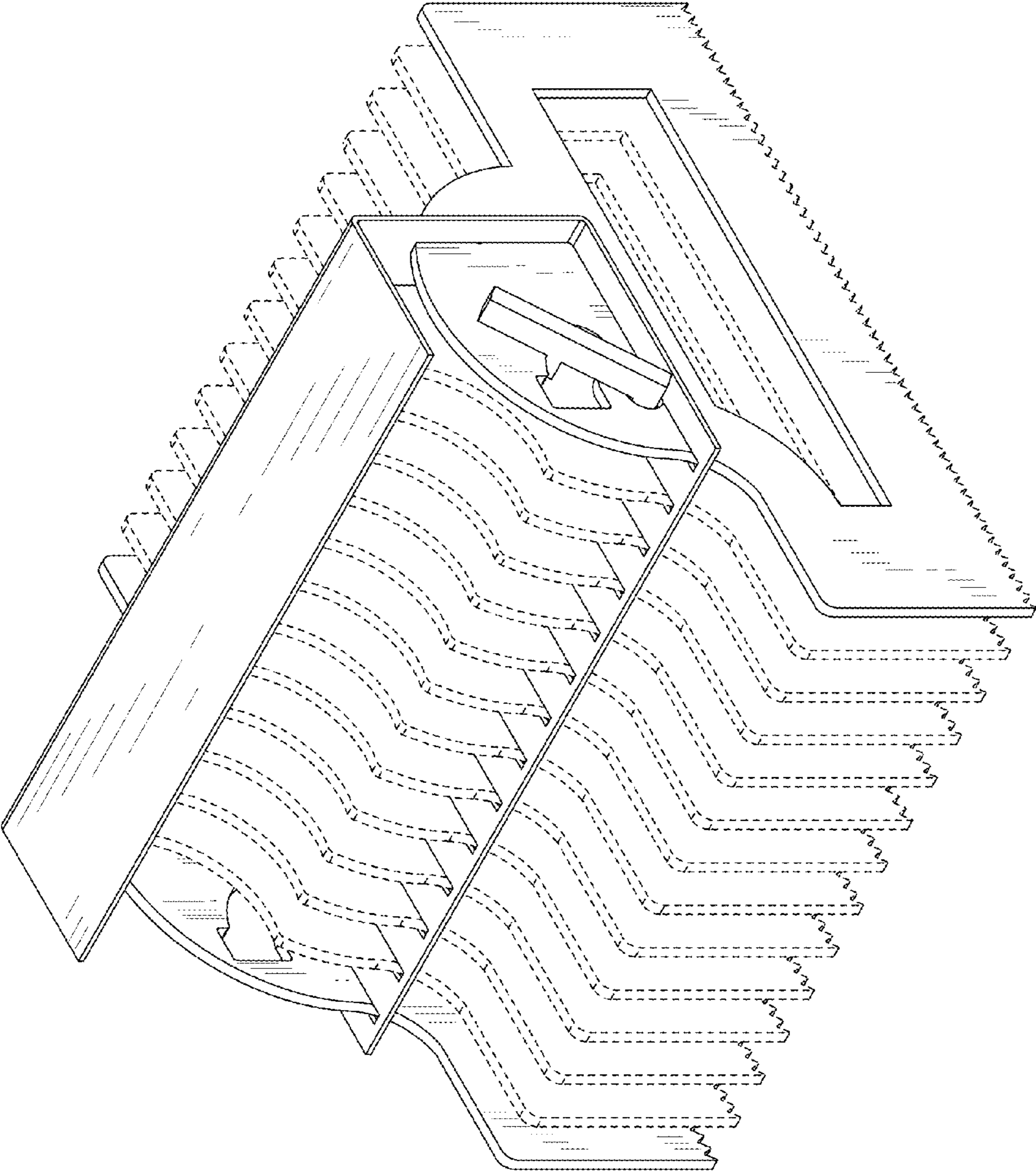


FIG. 1

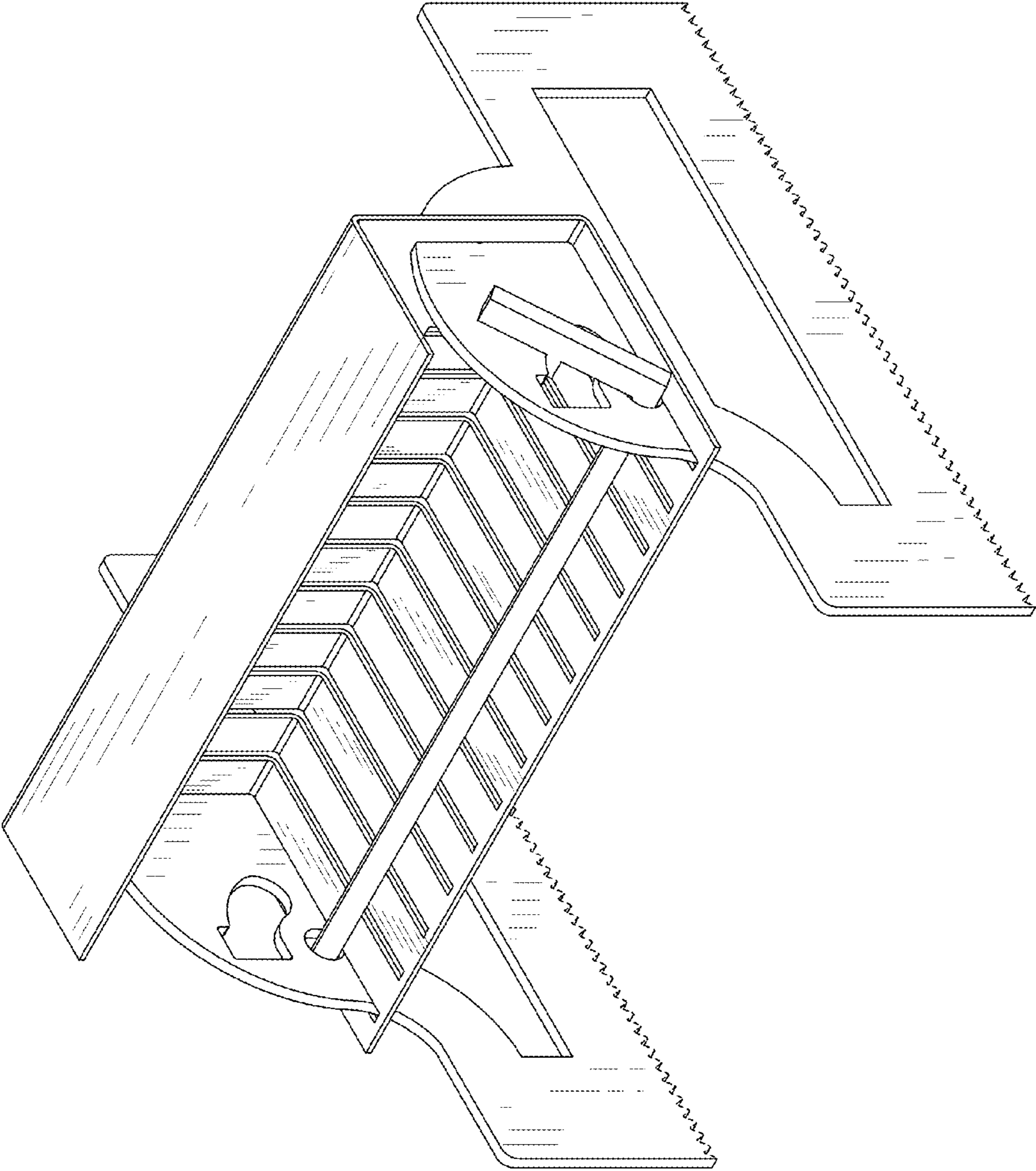


FIG. 2

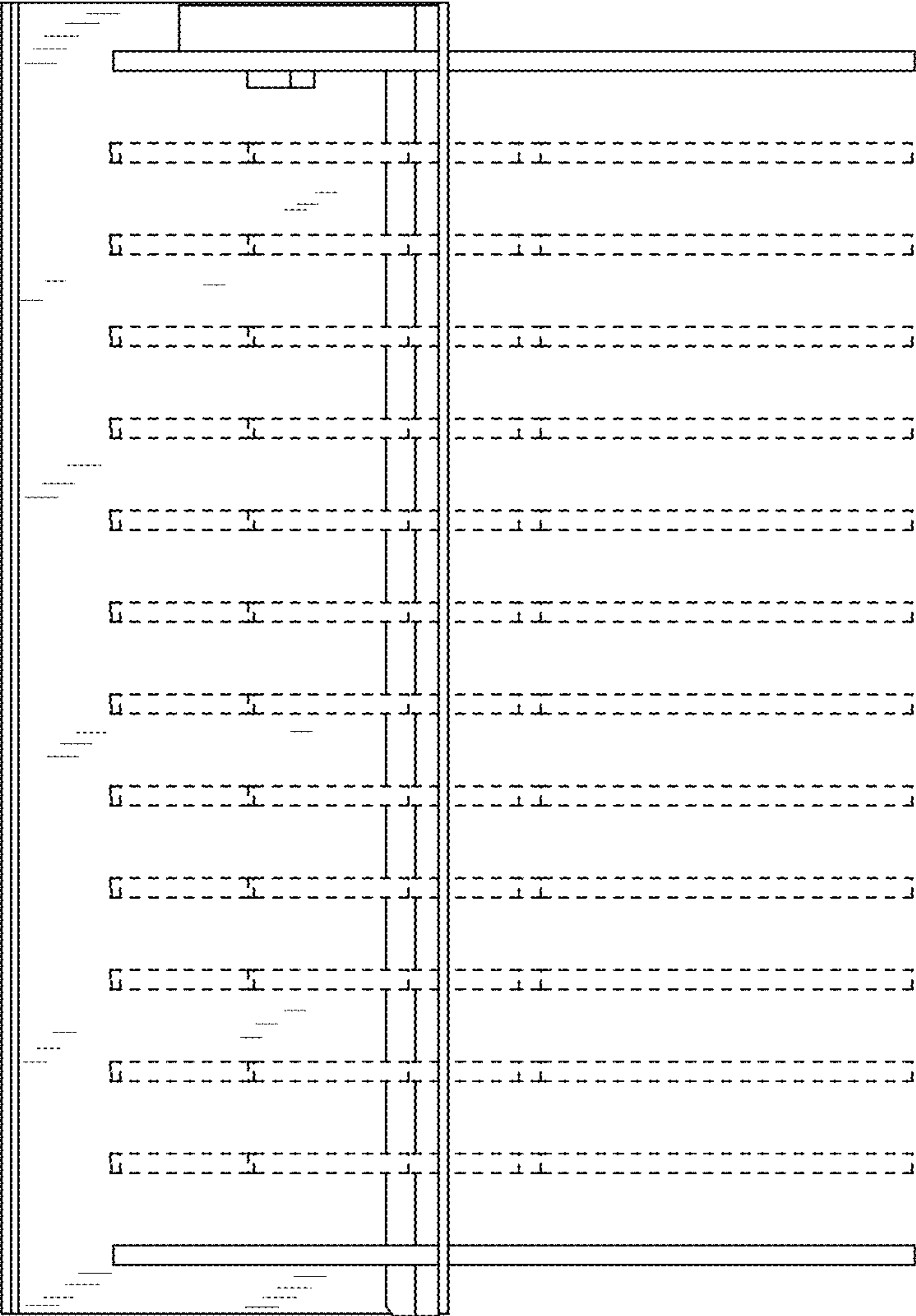


FIG. 3

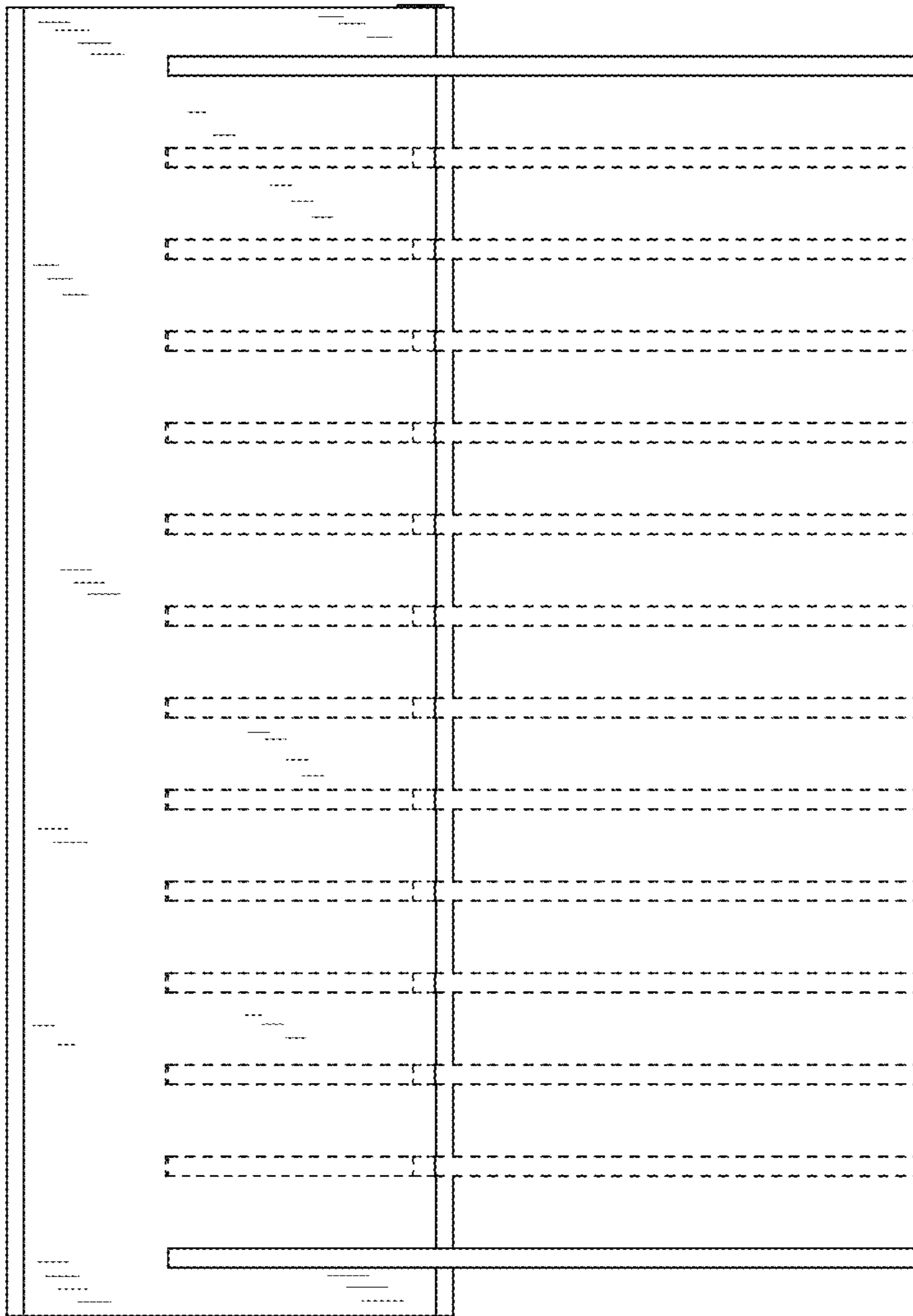


FIG. 4

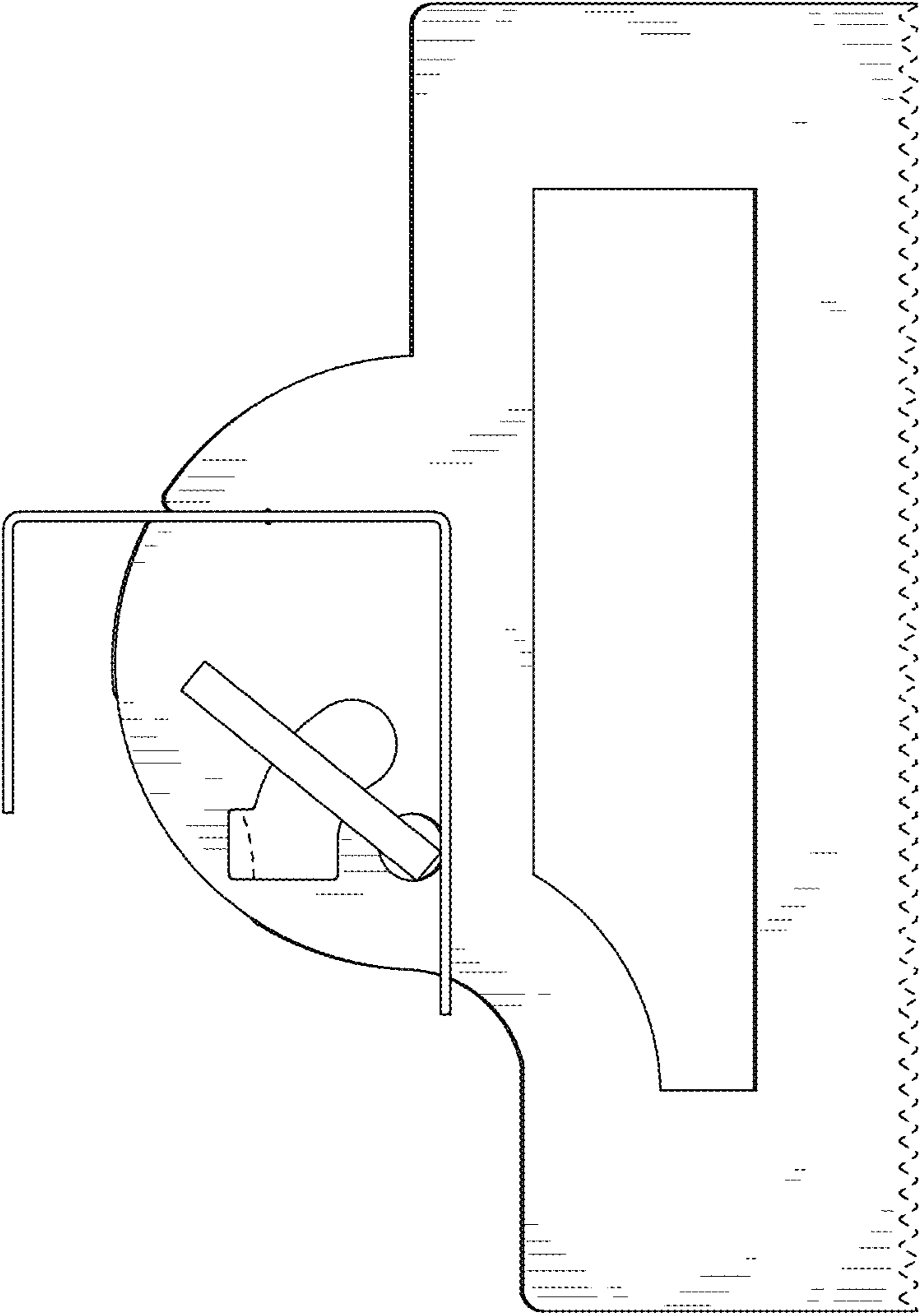


FIG. 5

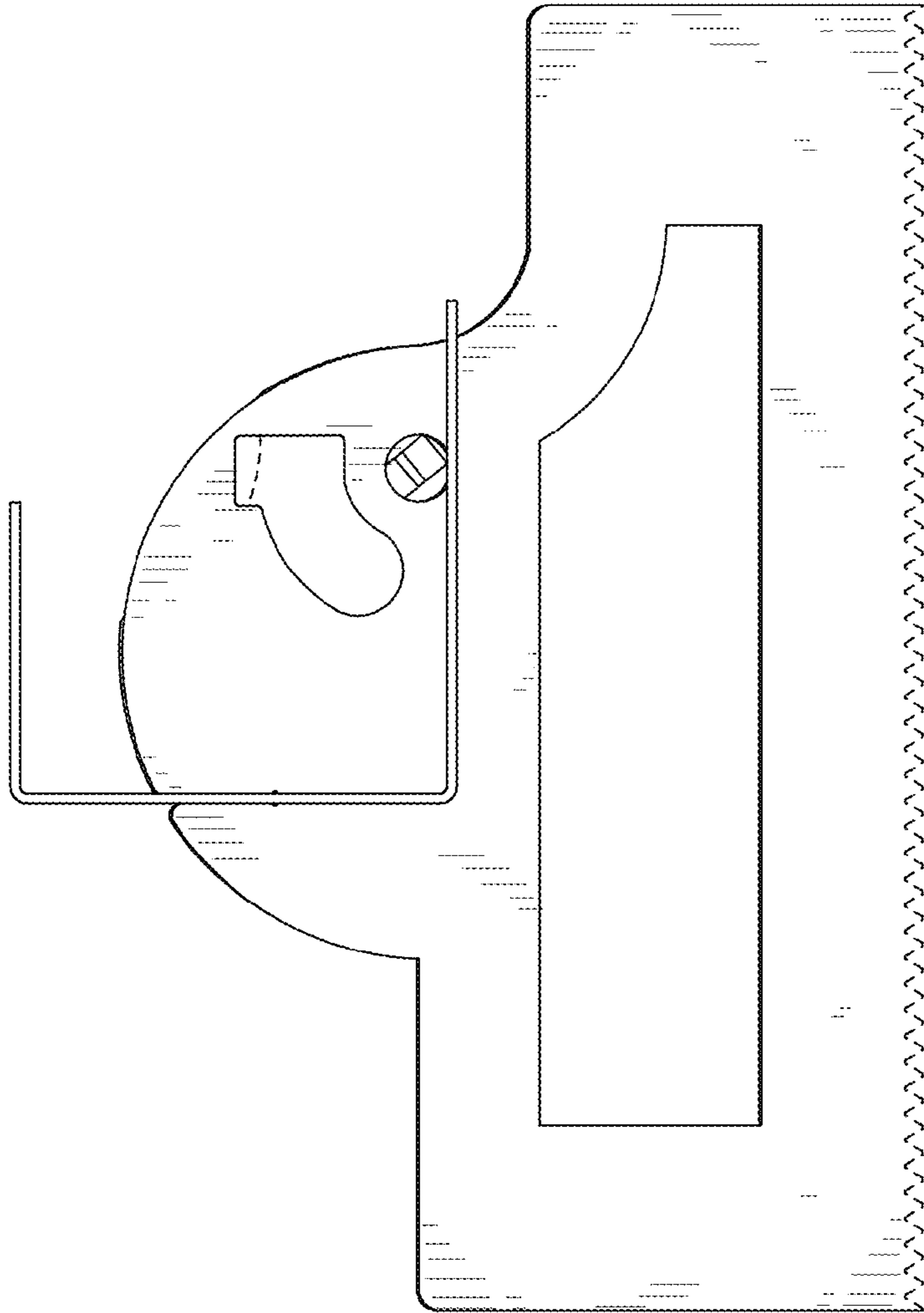


FIG. 6

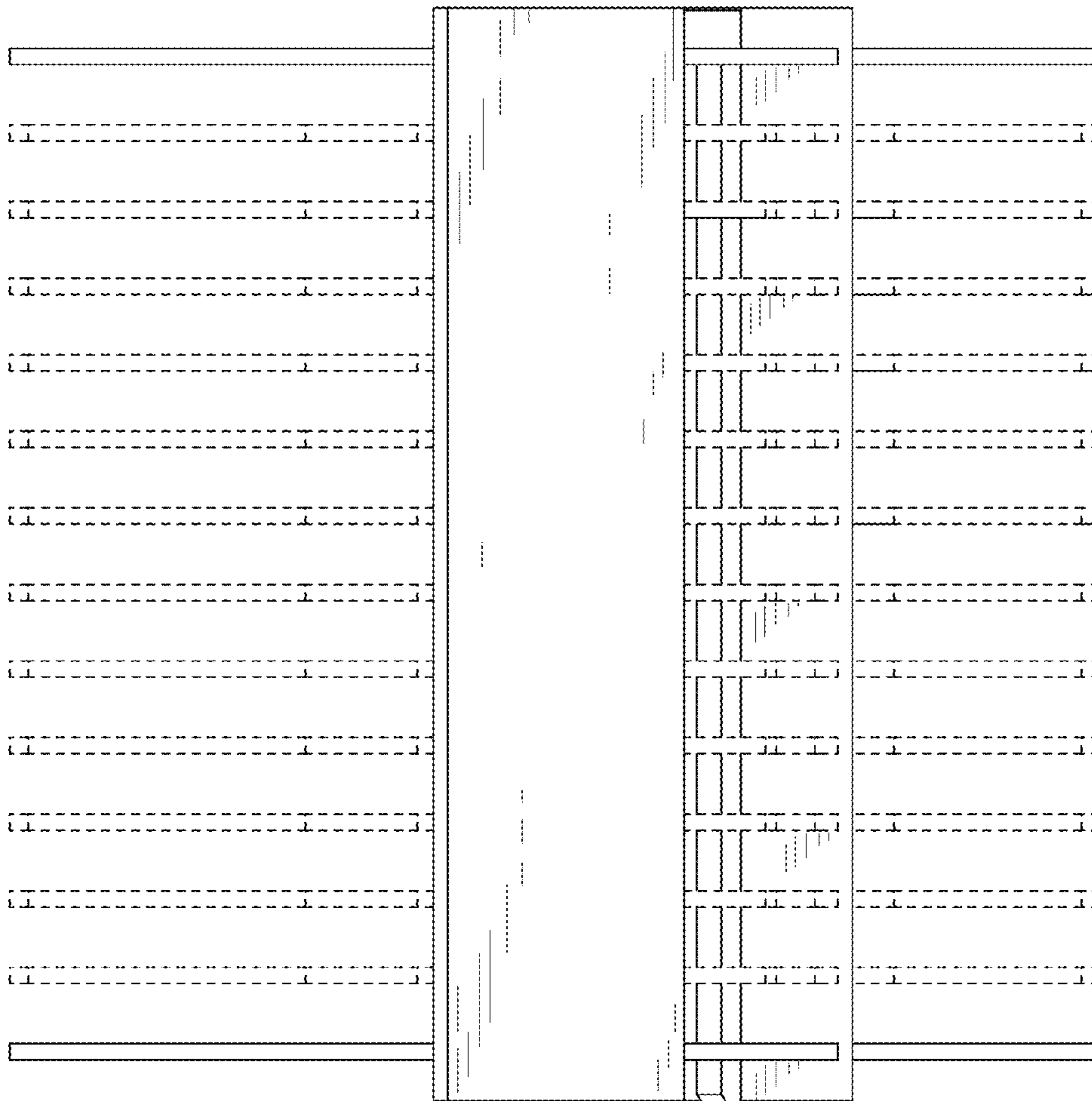


FIG. 7

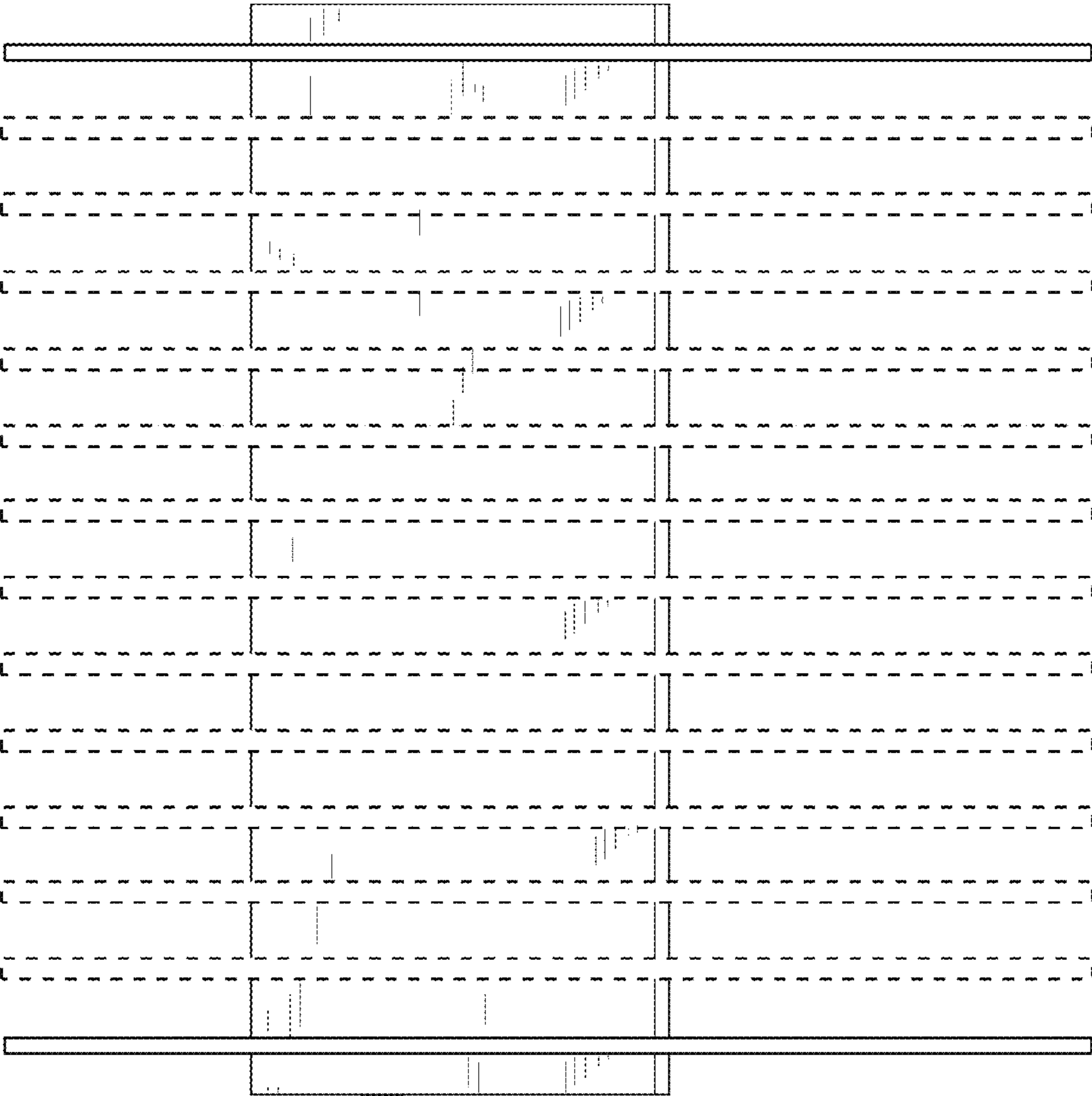


FIG. 8

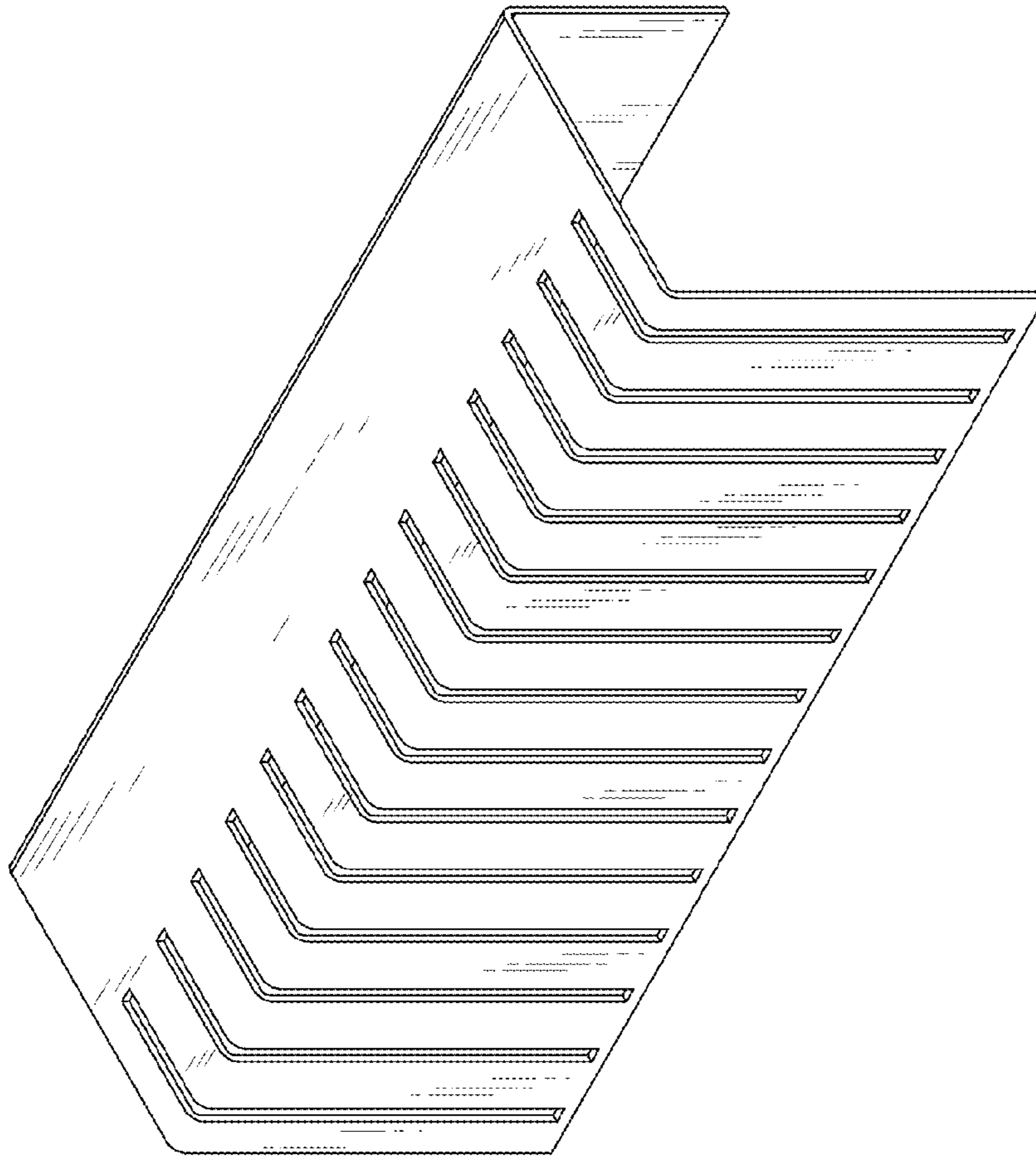


FIG. 9

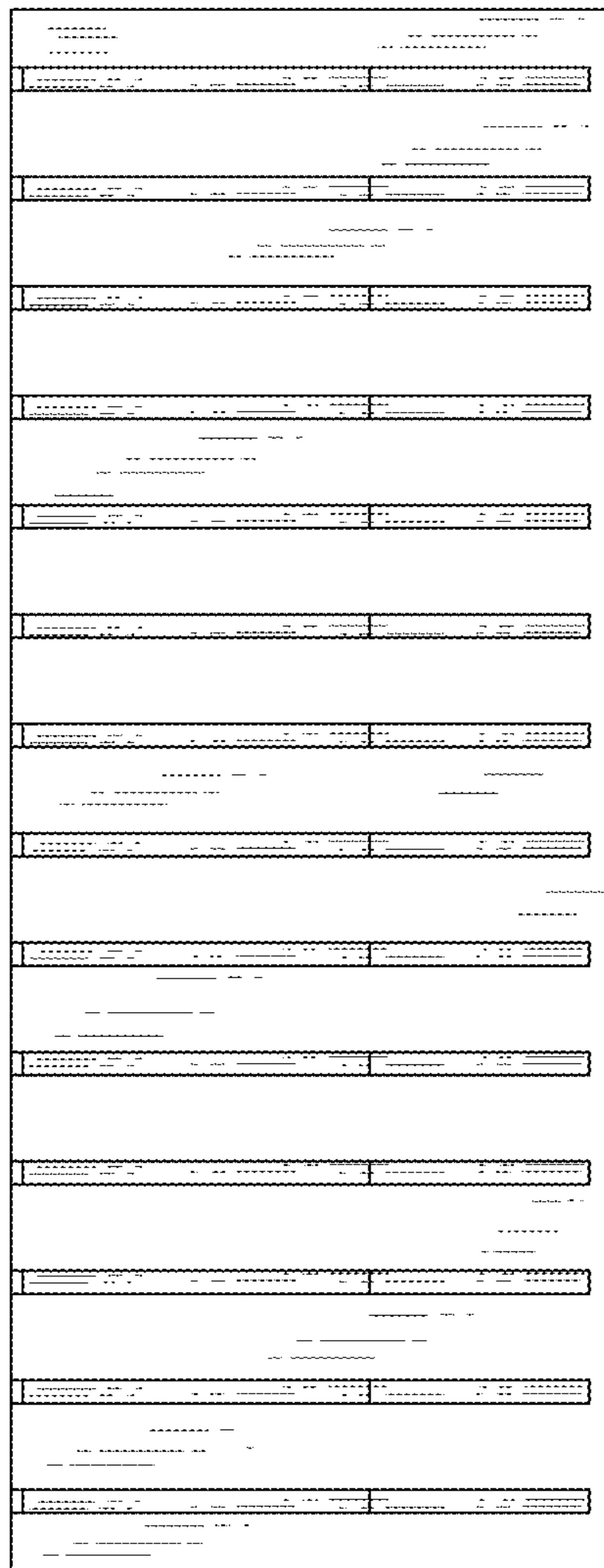


FIG. 10

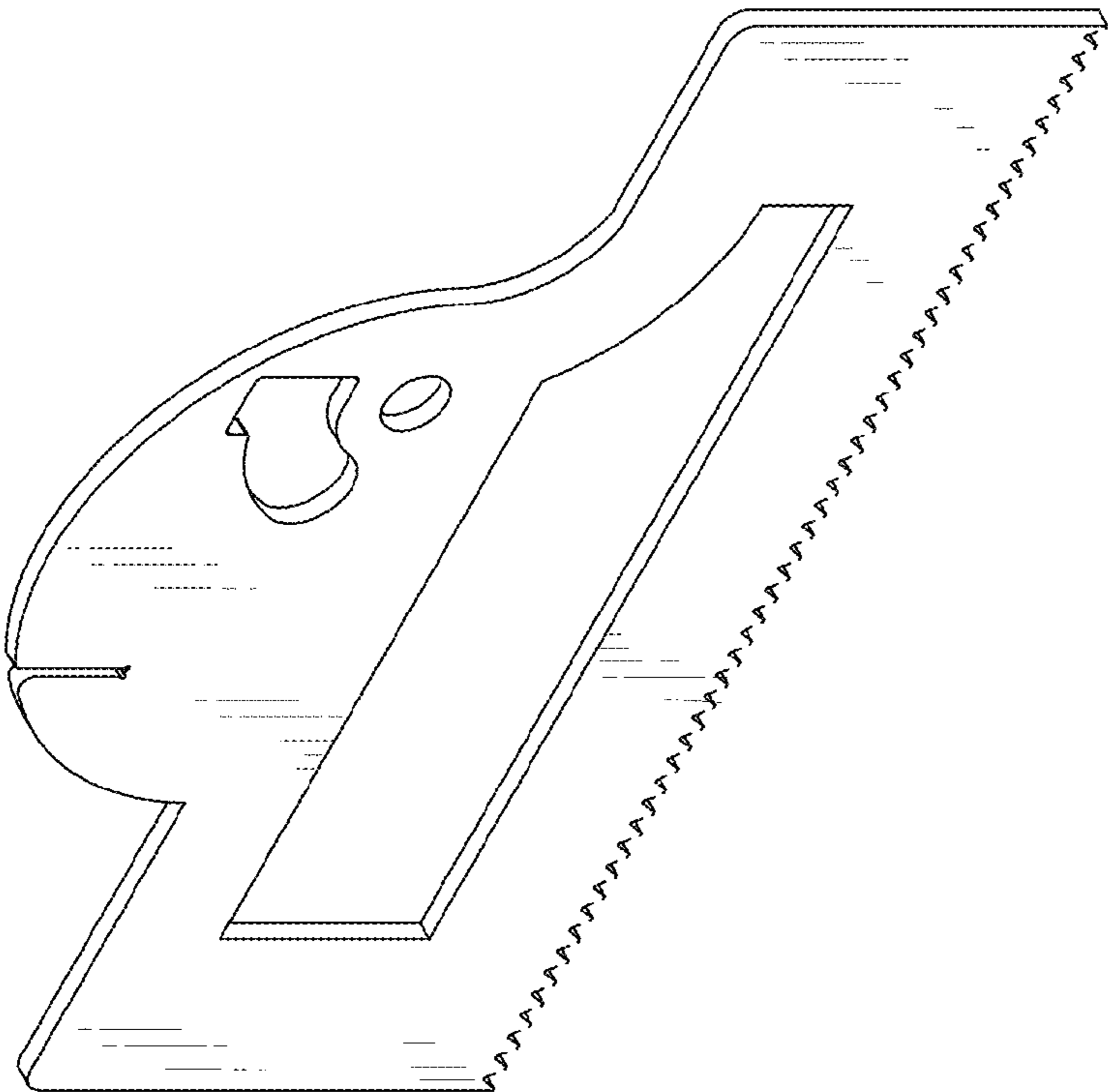


FIG. 11

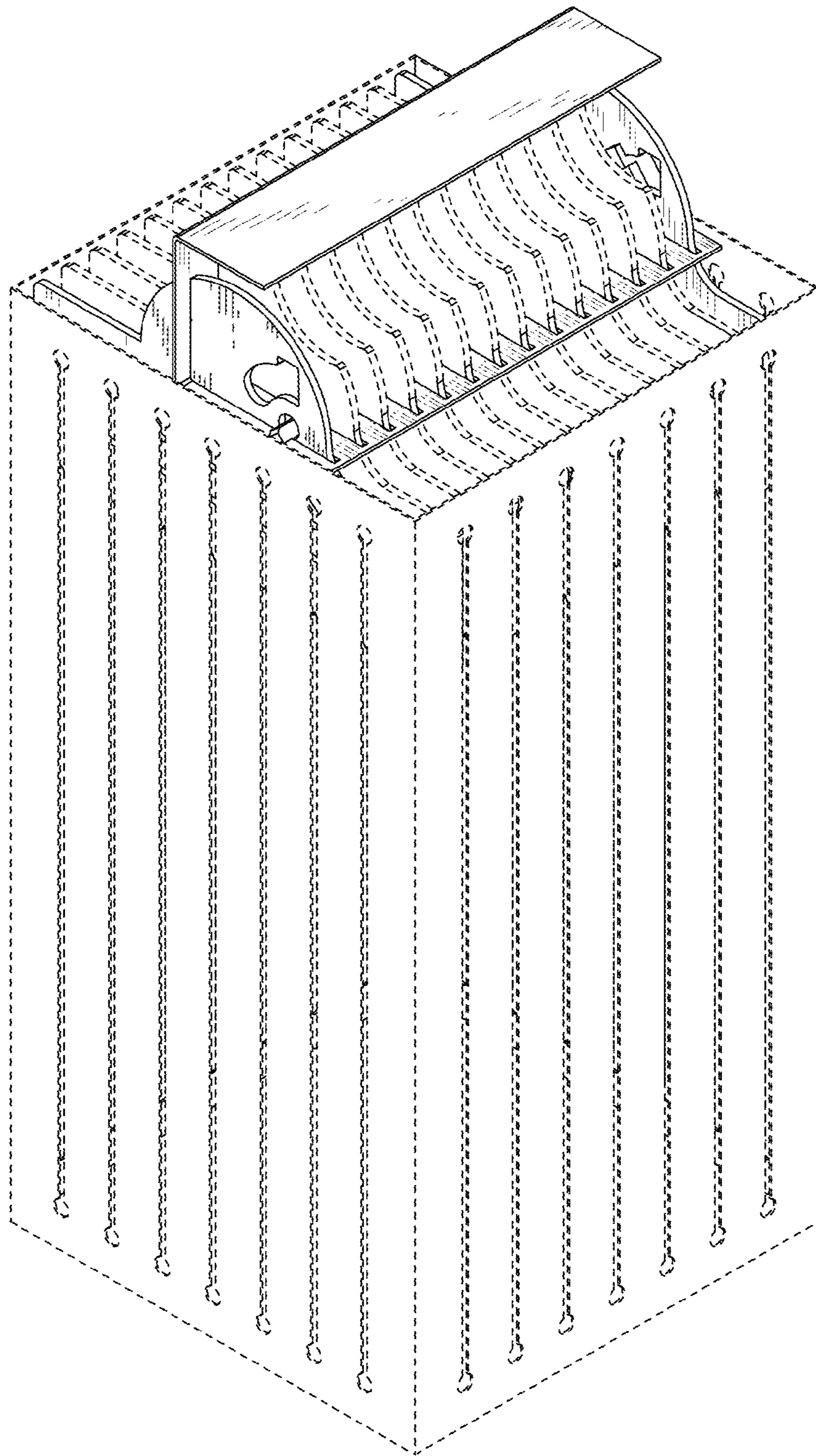


FIG. 12