



US00D731852S

(12) **United States Design Patent**  
**Palotto et al.**

(10) **Patent No.:** **US D731,852 S**  
(45) **Date of Patent:** **\*\* Jun. 16, 2015**

(54) **COOKWARE HANDLE**  
(71) Applicant: **Dart Industries Inc.**, Orlando, FL (US)  
(72) Inventors: **Simone Palotto**, Etterbeek (BE);  
**Anthony M. De Leo**, Portage, MI (US)  
(73) Assignee: **Dart Industries Inc.**, Orlando, FL (US)  
(\*\*) Term: **14 Years**

D419,368 S 1/2000 Geelen et al.  
D419,373 S 1/2000 Geelen et al.  
6,032,822 A 3/2000 Munari  
D427,483 S 7/2000 Geelen et al.  
D480,912 S \* 10/2003 Logiudice et al. .... D7/395  
D514,378 S \* 2/2006 Magnouloux ..... D7/395  
D518,352 S \* 4/2006 Brassat ..... D7/395  
7,025,312 B1 4/2006 Dare  
D547,599 S \* 7/2007 Gerlach ..... D7/361  
D575,101 S \* 8/2008 Germany ..... D7/395  
7,485,831 B2 2/2009 Tynes et al.  
D589,741 S \* 4/2009 Gerlach ..... D7/361

(Continued)

(21) Appl. No.: **29/497,079**  
(22) Filed: **Jul. 21, 2014**  
(51) **LOC (10) Cl.** ..... **07-02**  
(52) **U.S. Cl.**  
USPC ..... **D7/395**  
(58) **Field of Classification Search**  
USPC ..... D7/354-361, 393-395, 401.2, 664;  
D8/107, 300, 303, 307, 313, 321;  
D4/138, 129; 16/421, 430, 431, 110.1,  
16/407; 220/573.1-573.5, 752, 753, 755,  
220/756, 759, 767, 771, 912  
CPC ..... A47J 45/06; A47J 45/061; A47J 45/62;  
A47J 45/08; A47J 45/085; A47J 45/071;  
A47J 45/072; B65D 25/2802; B65D 25/2882;  
B65D 25/2885; B65D 25/2888; B65D  
25/2894; Y10S 220/912  
See application file for complete search history.

FOREIGN PATENT DOCUMENTS

WO WO 2007/026384 A1 3/2007

OTHER PUBLICATIONS

Admitted prior art; Mepra "Energia" cookware; undated.  
(Continued)

*Primary Examiner* — Cynthia M Chin  
(74) *Attorney, Agent, or Firm* — Taylor J. Ross

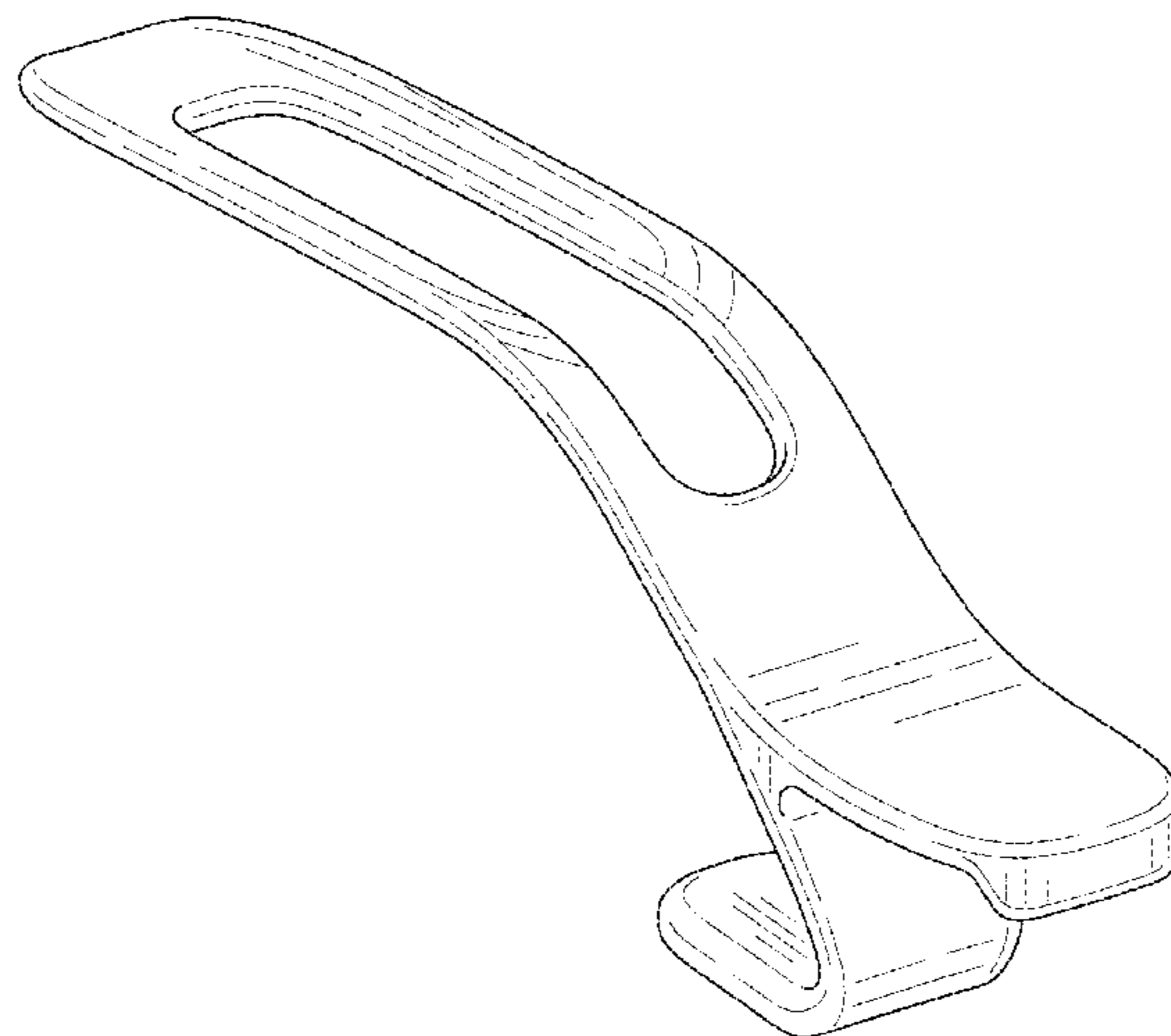
(57) **CLAIM**  
The ornamental design for a cookware handle, as shown and described.

**DESCRIPTION**

This application is related to co-pending Application Nos. 14/337,112; 29/497,080; and 29/497,081, which are incorporated by reference herein.  
FIG. 1 is a top, right and front perspective view of a cookware handle showing our new design;  
FIG. 2 is a top plan view thereof;  
FIG. 3 is a bottom plan view thereof;  
FIG. 4 is a right side elevation view, the left side being a mirror image thereof;  
FIG. 5 is a front elevation view thereof; and,  
FIG. 6 is a rear elevation view thereof.

**1 Claim, 2 Drawing Sheets**

(56) **References Cited**  
U.S. PATENT DOCUMENTS  
1,580,582 A \* 4/1926 Carman ..... 220/756  
3,420,401 A \* 1/1969 Maslow ..... 220/759  
3,598,105 A 8/1971 Cristaldi  
4,198,040 A 4/1980 Colasent  
4,485,801 A 12/1984 Hodges et al.  
D300,403 S \* 3/1989 Holcomb ..... D7/395  
5,730,405 A 3/1998 Nichols, IV  
D394,186 S \* 5/1998 Dodane ..... D7/395  
5,823,483 A 10/1998 Gaskill  
D419,031 S 1/2000 Geelen et al.



# US D731,852 S

Page 2

---

(56)

## References Cited

### U.S. PATENT DOCUMENTS

D650,628 S 12/2011 Pallotto  
D674,652 S 1/2013 Chen  
D674,653 S 1/2013 Chen  
D674,655 S 1/2013 Chen  
D674,660 S 1/2013 Chen  
D696,059 S \* 12/2013 Bourbeau ..... D7/361

8,651,311 B1 2/2014 Drummond et al.  
8,746,497 B2 \* 6/2014 Bourbeau et al. .... 220/756  
2003/0121921 A1 7/2003 Burton et al.

### OTHER PUBLICATIONS

Admitted prior art; Ballarini Glass Lid with Air Vent; undated.  
Admitted prior art; Barazzoni "Tummy" Cookware Collection;  
undated.

\* cited by examiner

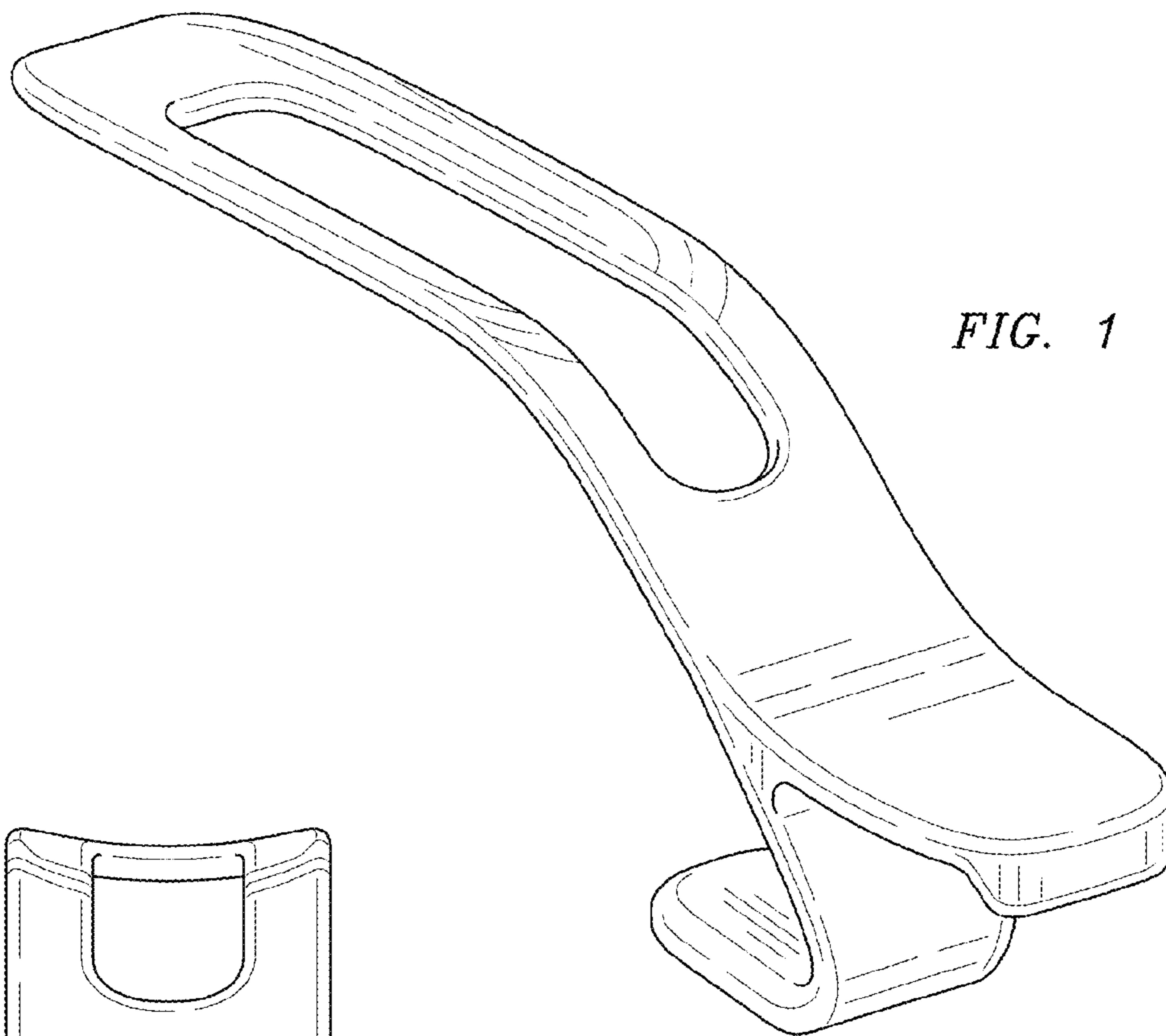


FIG. 1

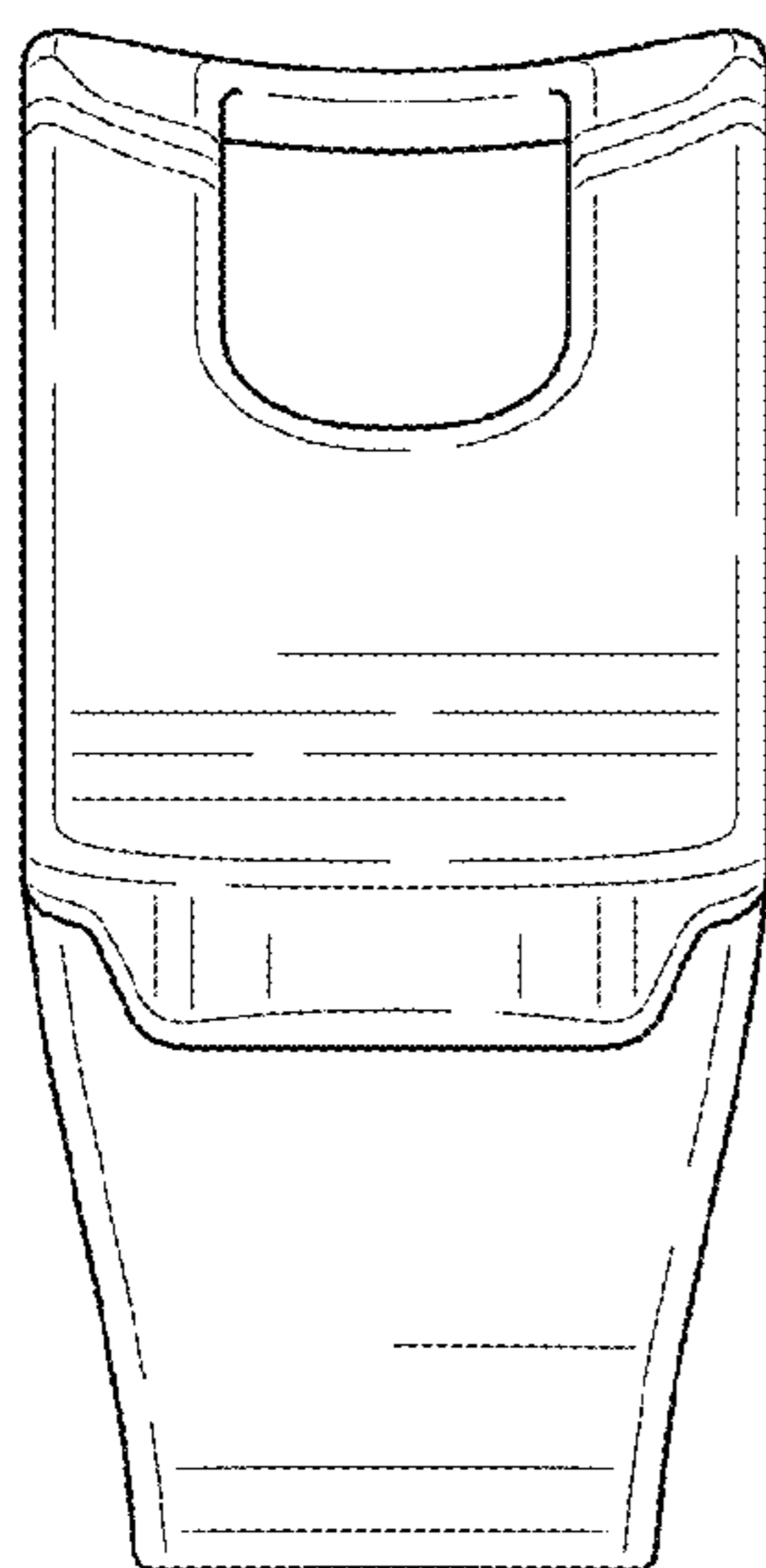


FIG. 5

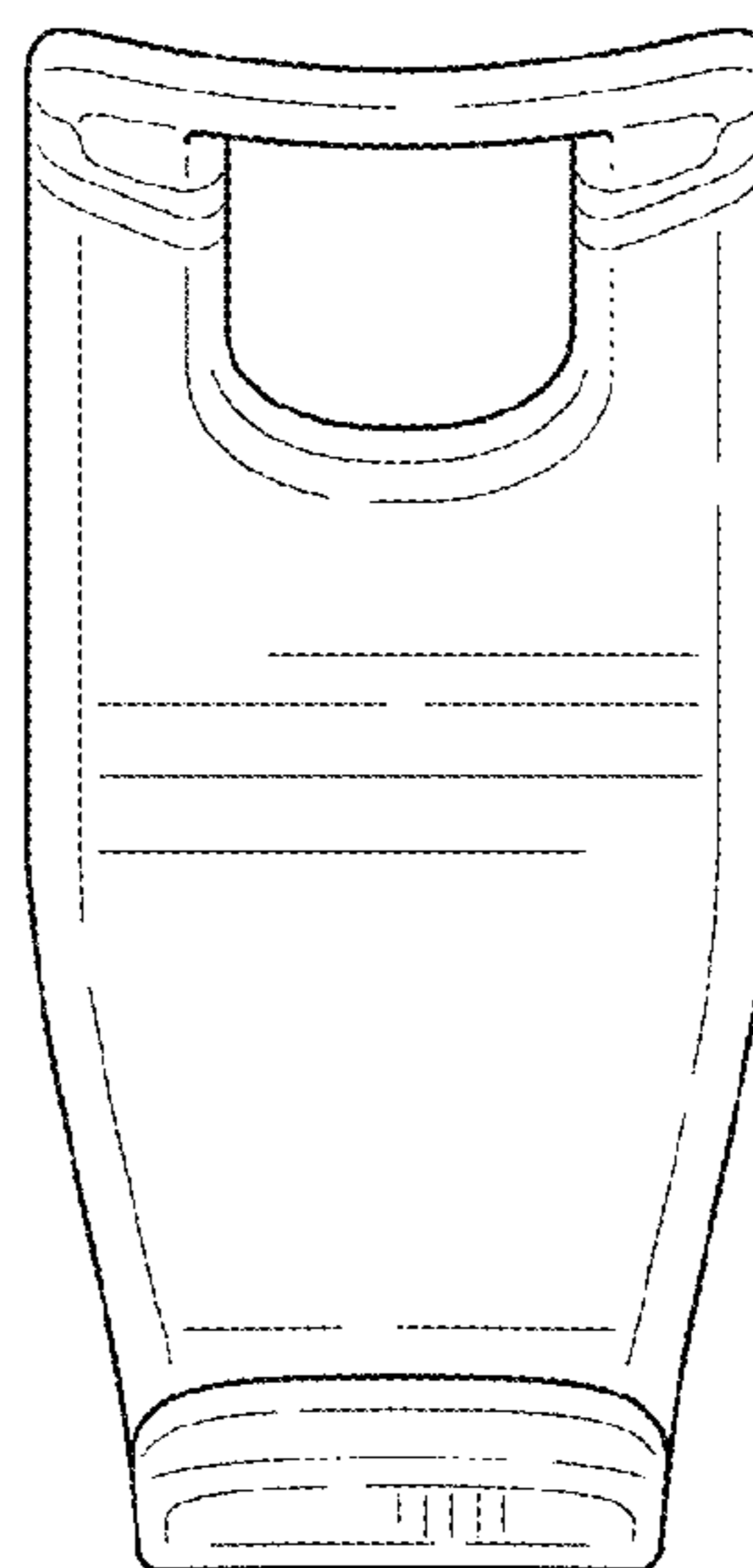


FIG. 6

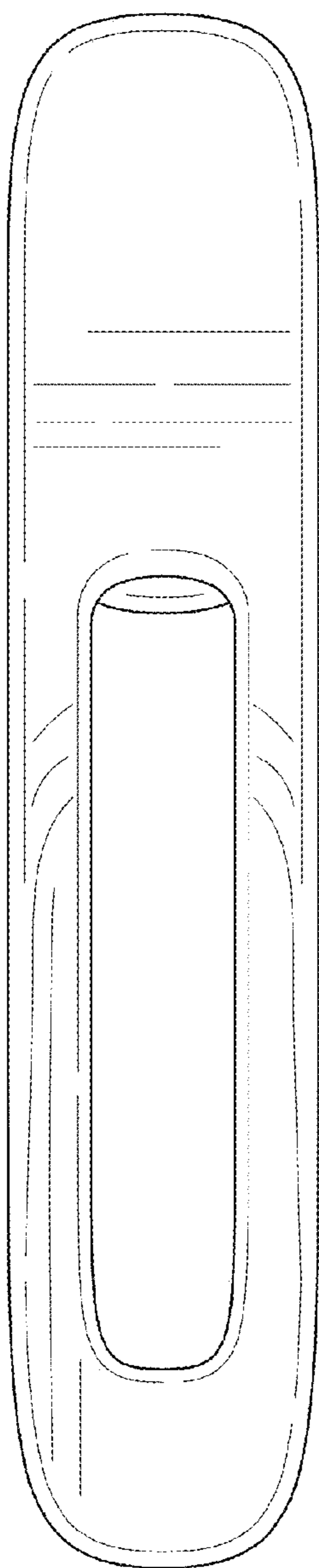


FIG. 2

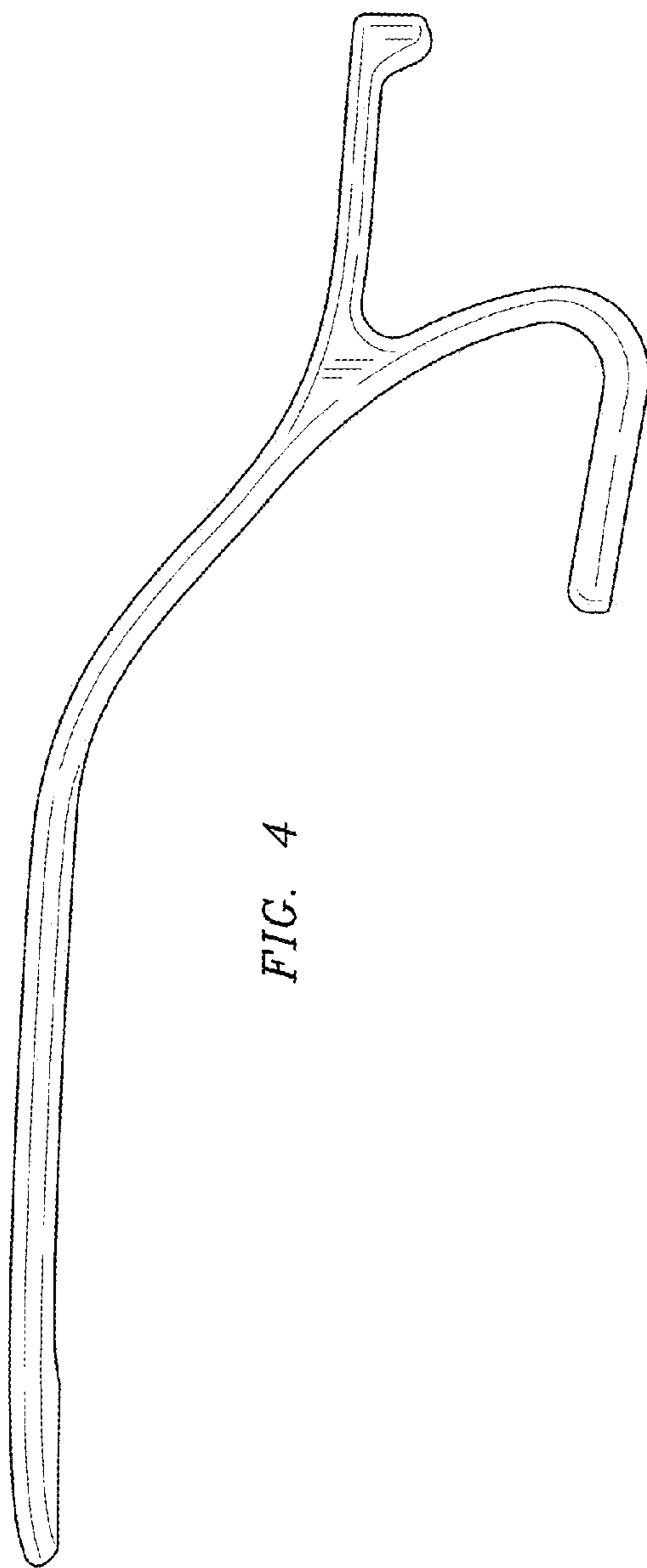


FIG. 4

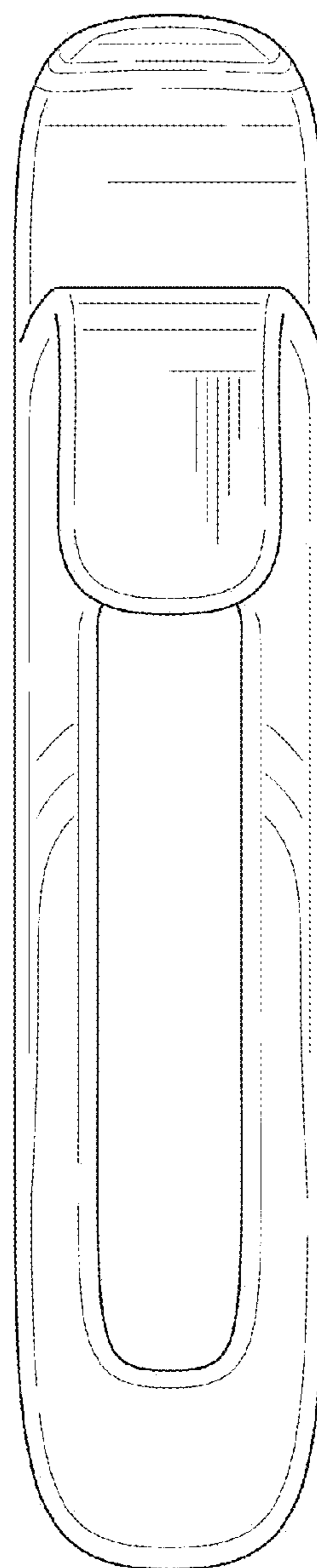


FIG. 3