



US00D731850S

(12) **United States Design Patent**
Smith

(10) **Patent No.:** **US D731,850 S**
(45) **Date of Patent:** **** Jun. 16, 2015**

(54) **BLENDER BASE**

(56) **References Cited**

(71) Applicant: **Euro-Pro Operating LLC**, Newton, MA (US)

U.S. PATENT DOCUMENTS

(72) Inventor: **Cory Smith**, Auburndale, MA (US)

D181,541 S	11/1957	Madl	
D214,227 S	5/1969	Madl	
D241,404 S *	9/1976	Mantelet	D7/384
D301,824 S *	6/1989	Machuron	D7/384
D349,423 S	8/1994	Burgel	
D400,757 S	11/1998	Hippen et al.	
D406,154 S *	2/1999	Copland et al.	D15/82
6,029,568 A	2/2000	Pascotti et al.	
D426,423 S *	6/2000	Lee	D7/384
D444,344 S	7/2001	Barthelemy et al.	
D466,362 S	12/2002	Moore	
D475,582 S *	6/2003	To	D7/665
D498,642 S	11/2004	Huang	
7,044,051 B2 *	5/2006	Le Rouzic	99/512
D528,364 S *	9/2006	Kolar et al.	D7/413
D644,478 S *	9/2011	Czach	D7/372
D654,305 S	2/2012	Gursel et al.	
D682,606 S	5/2013	Machovina et al.	
D696,063 S	12/2013	Coakley et al.	
D698,210 S *	1/2014	Lavy et al.	D7/665
2010/0058940 A1 *	3/2010	Rivera	99/501

(73) Assignee: **Euro-Pro Operating LLC**, Newton, MA (US)

(**) Term: **14 Years**

(21) Appl. No.: **29/496,945**

(22) Filed: **Jul. 18, 2014**

(51) **LOC (10) Cl.** **31-00**

(52) **U.S. Cl.**
USPC **D7/386; D7/376; D7/378; D7/412**

(58) **Field of Classification Search**
USPC D7/372, 376-386, 412-413, 602, 629, D7/665-666, 669, 679, 693-694; D15/82; 99/501, 509-512; 241/92, 98, 241/101.01-101.2, 166-169.1, 274-278.2, 241/285.1-285.3, 291, 292.1; 366/64-65, 366/97-98, 100, 130, 197-201, 205-207, 366/219-220, 341-343
CPC A21C 1/02; A21C 1/04; A23N 1/00; A23N 1/02; A47J 19/02; A47J 43/04; A47J 43/25; A47J 43/27; A47J 43/042; A47J 43/044; A47J 43/046; A47J 43/075; A47J 43/0716; A47J 43/0722; A47J 43/0727; B01F 3/00; B01F 3/0807; B01F 3/0853; B01F 13/0059; B01F 13/0064; B02C 1/08; B02C 2/04; B02C 4/42; B02C 4/142; B02C 4/143; B02C 4/423; B02C 13/1835; B28C 5/10; B28C 5/12; B28C 5/14; B28C 5/16

See application file for complete search history.

* cited by examiner

Primary Examiner — Ricky Pham
(74) *Attorney, Agent, or Firm* — Wolf, Greenfield & Sacks, P.C.

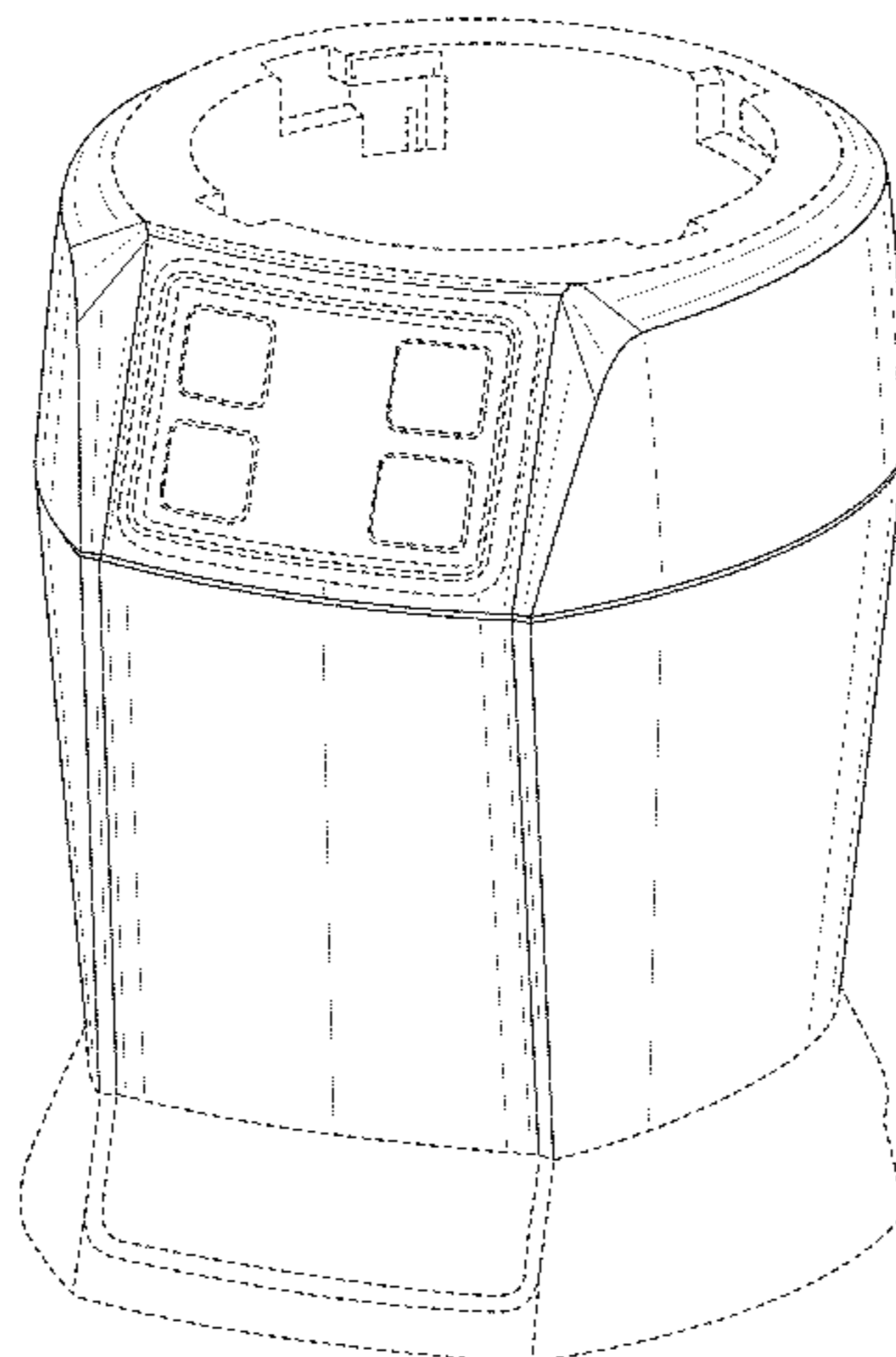
(57) **CLAIM**

The ornamental design for a blender base, as shown and described.

DESCRIPTION

FIG. 1 is a top, front, right side perspective view of a blender base showing my new design;
FIG. 2 is a front elevational view thereof;
FIG. 3 is a rear elevational view thereof;
FIG. 4 is a left side elevational view thereof;
FIG. 5 is a right side elevational view thereof;
FIG. 6 is a top plan view thereof; and,
FIG. 7 is a bottom plan view thereof.
The broken lines of FIGS. 1-7 represent unclaimed portions of the blender base and form no part of the claimed design.

1 Claim, 7 Drawing Sheets



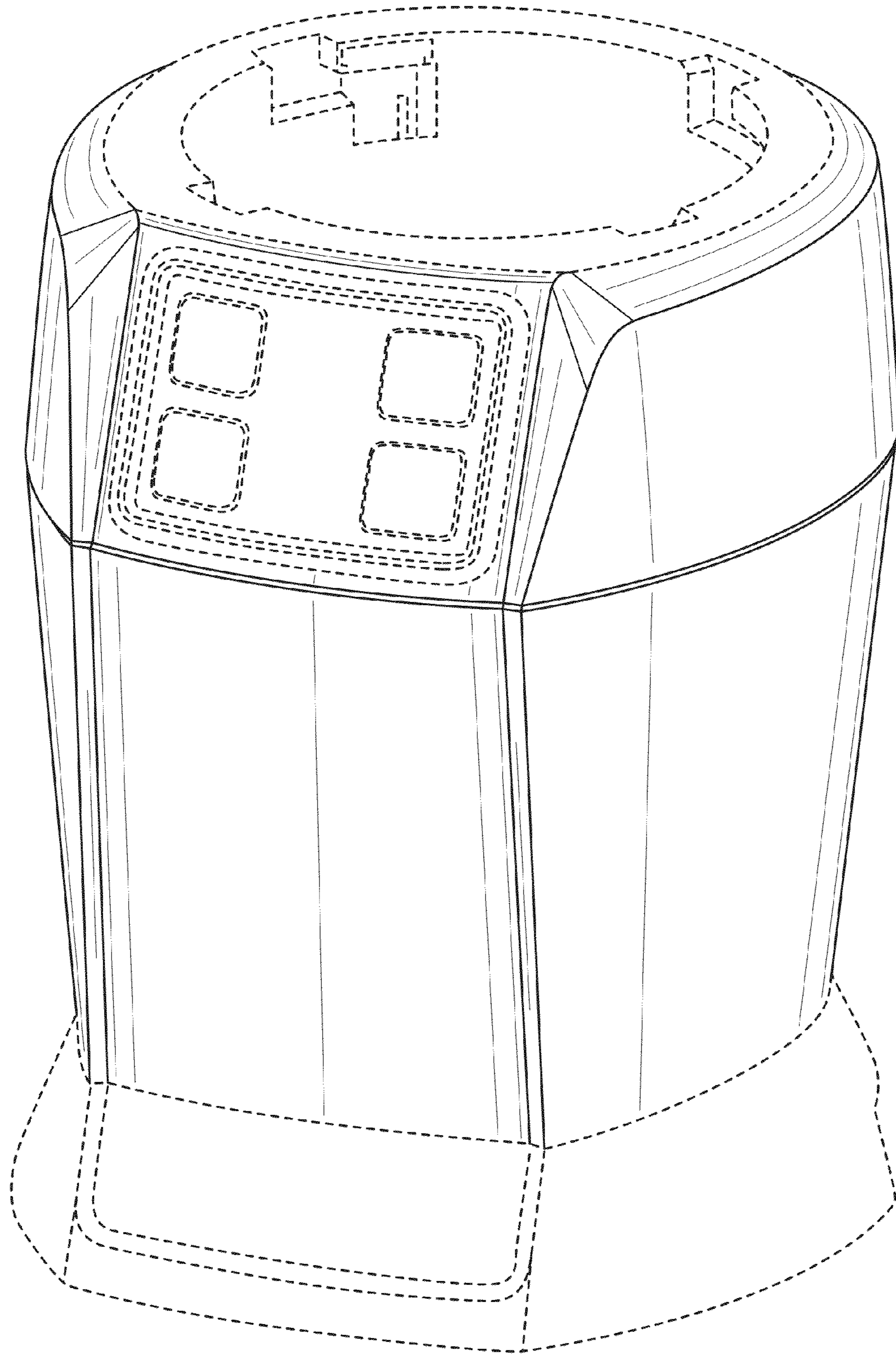


FIG. 1

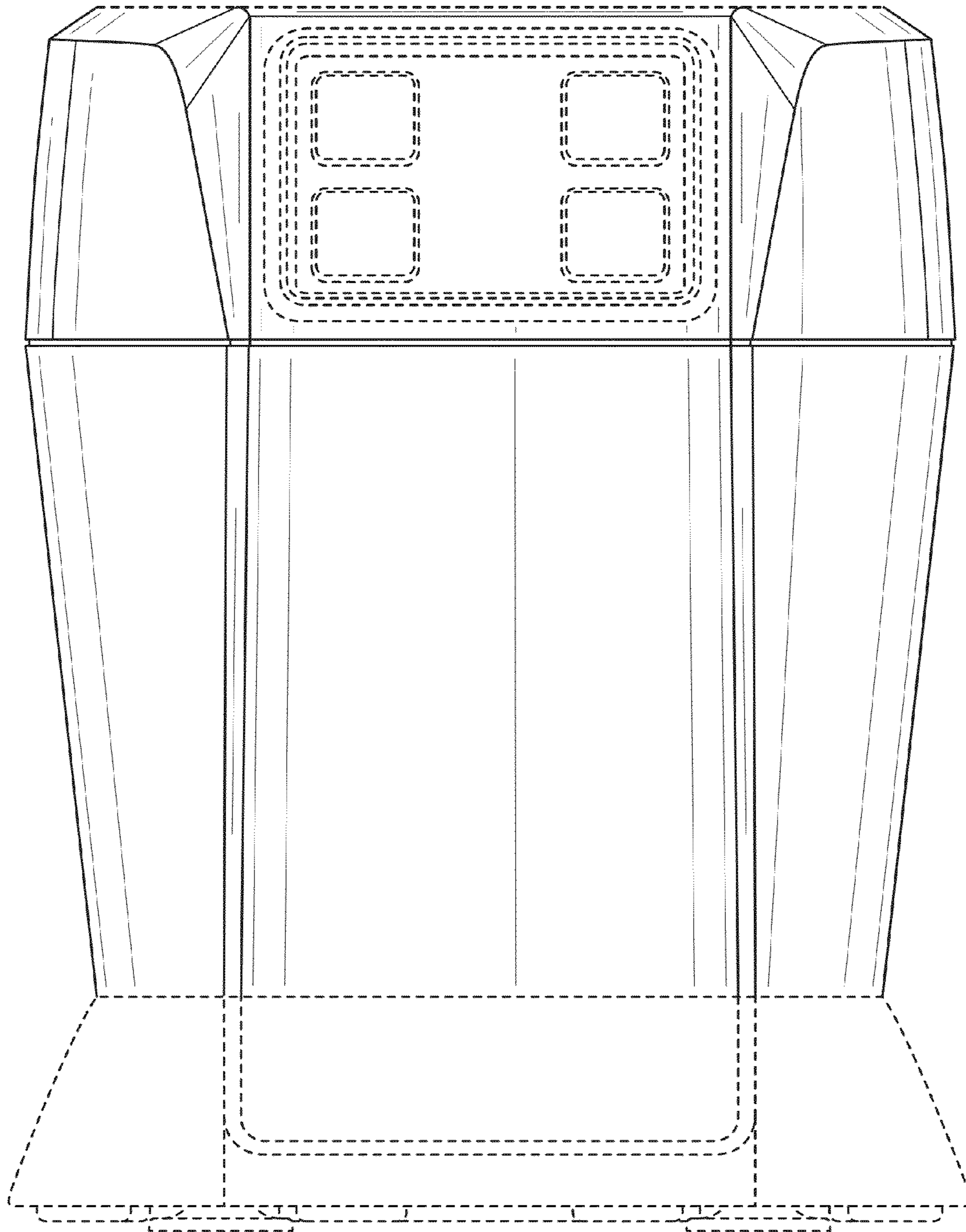


FIG. 2

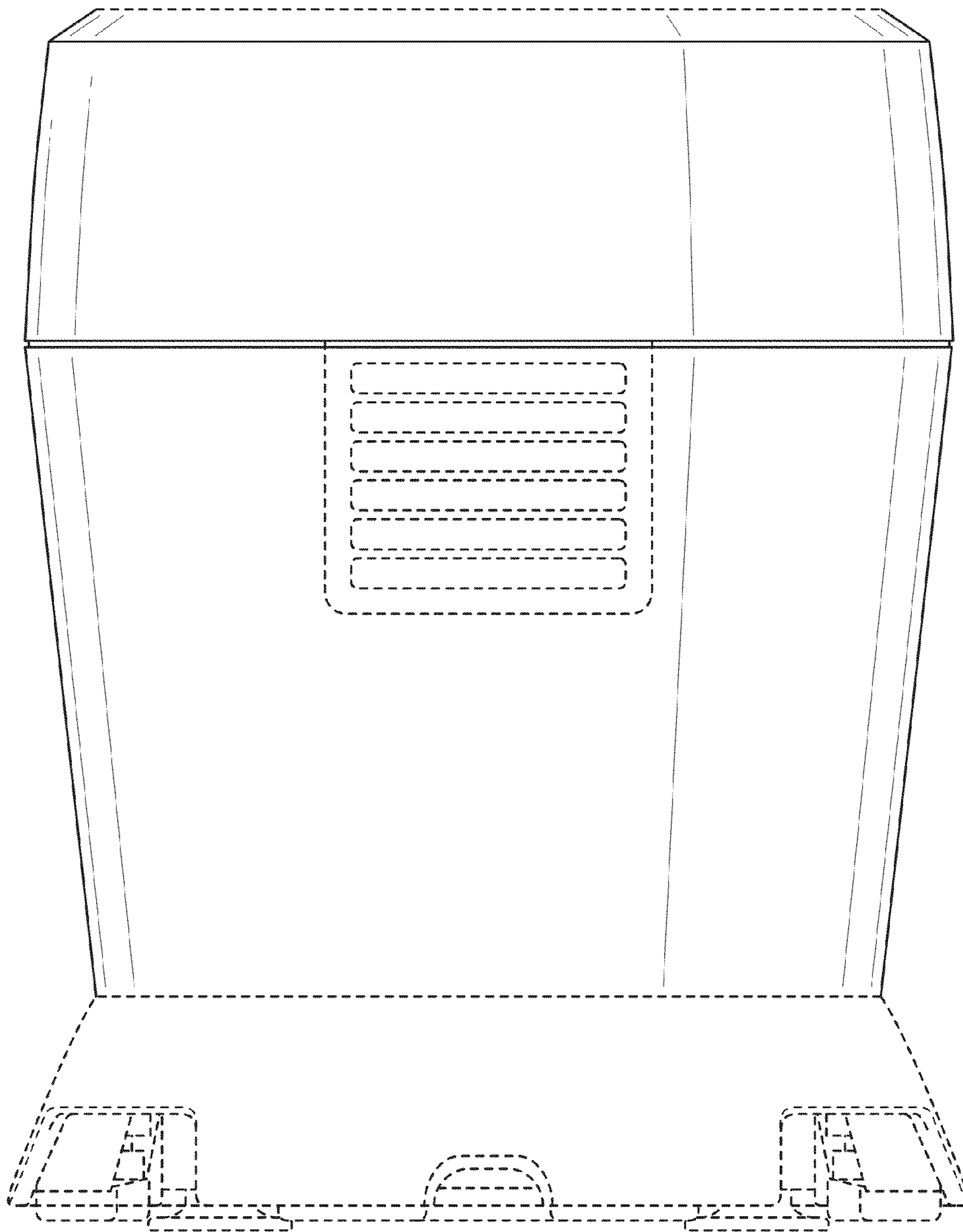


FIG. 3

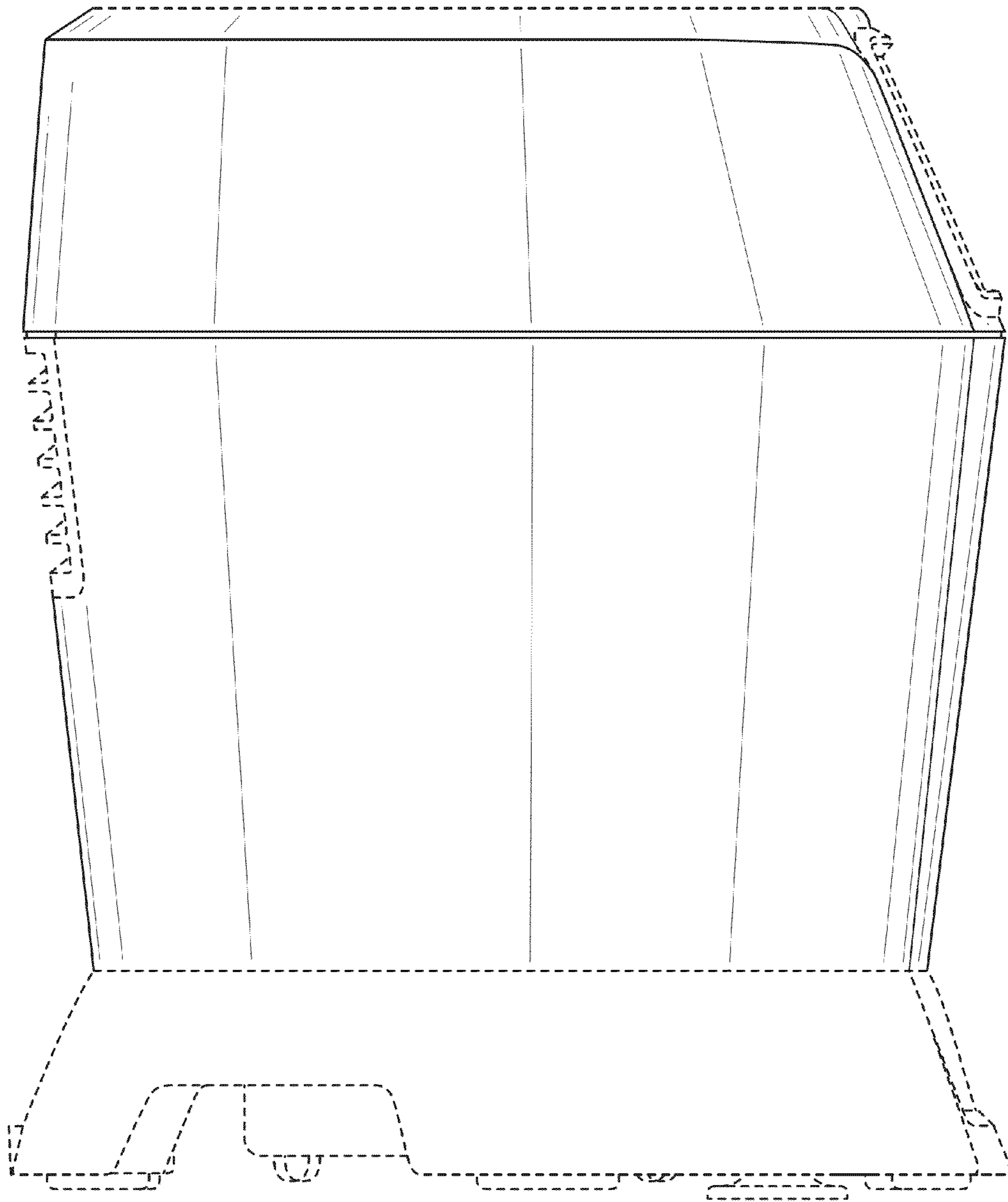


FIG. 4

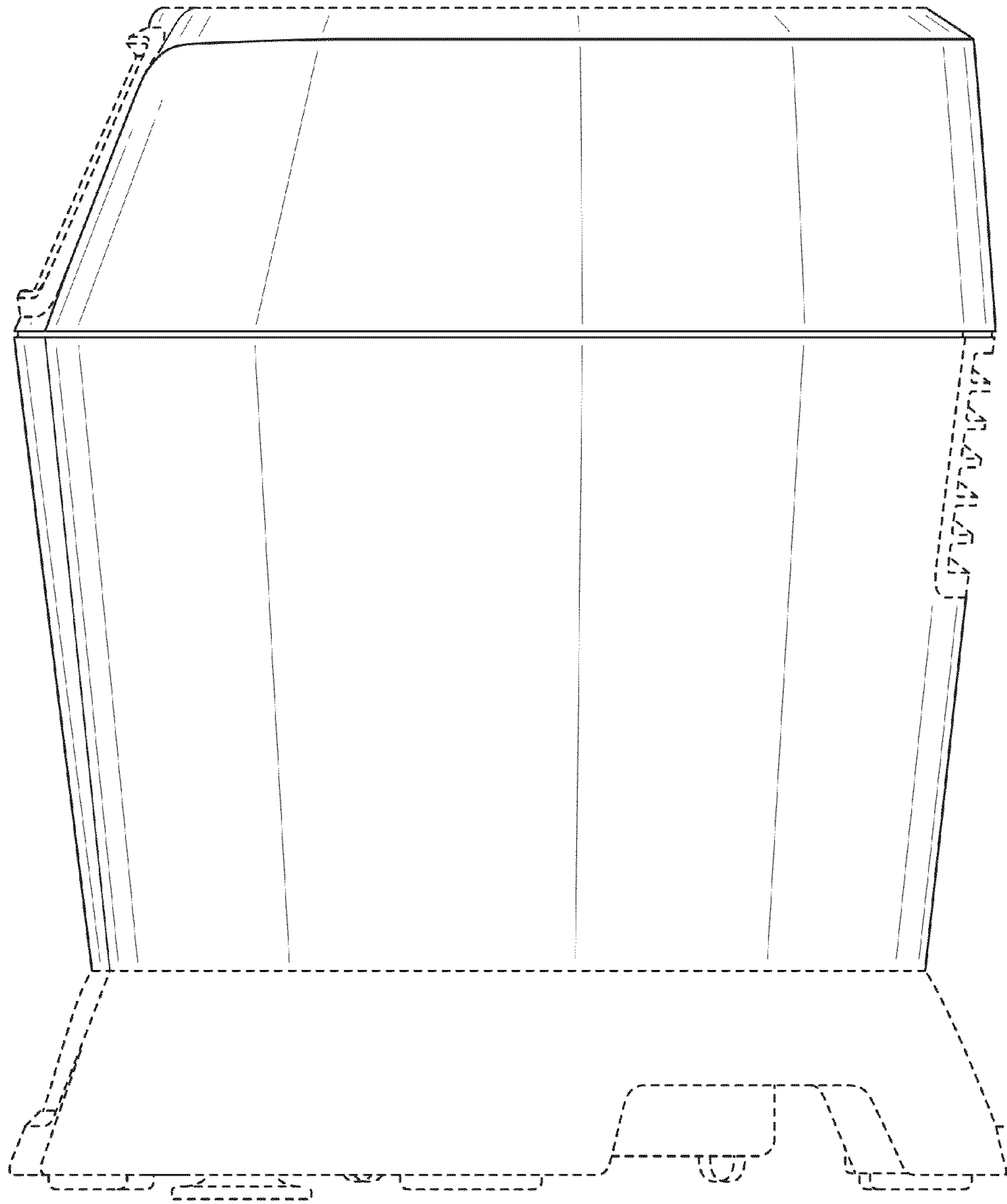


FIG. 5

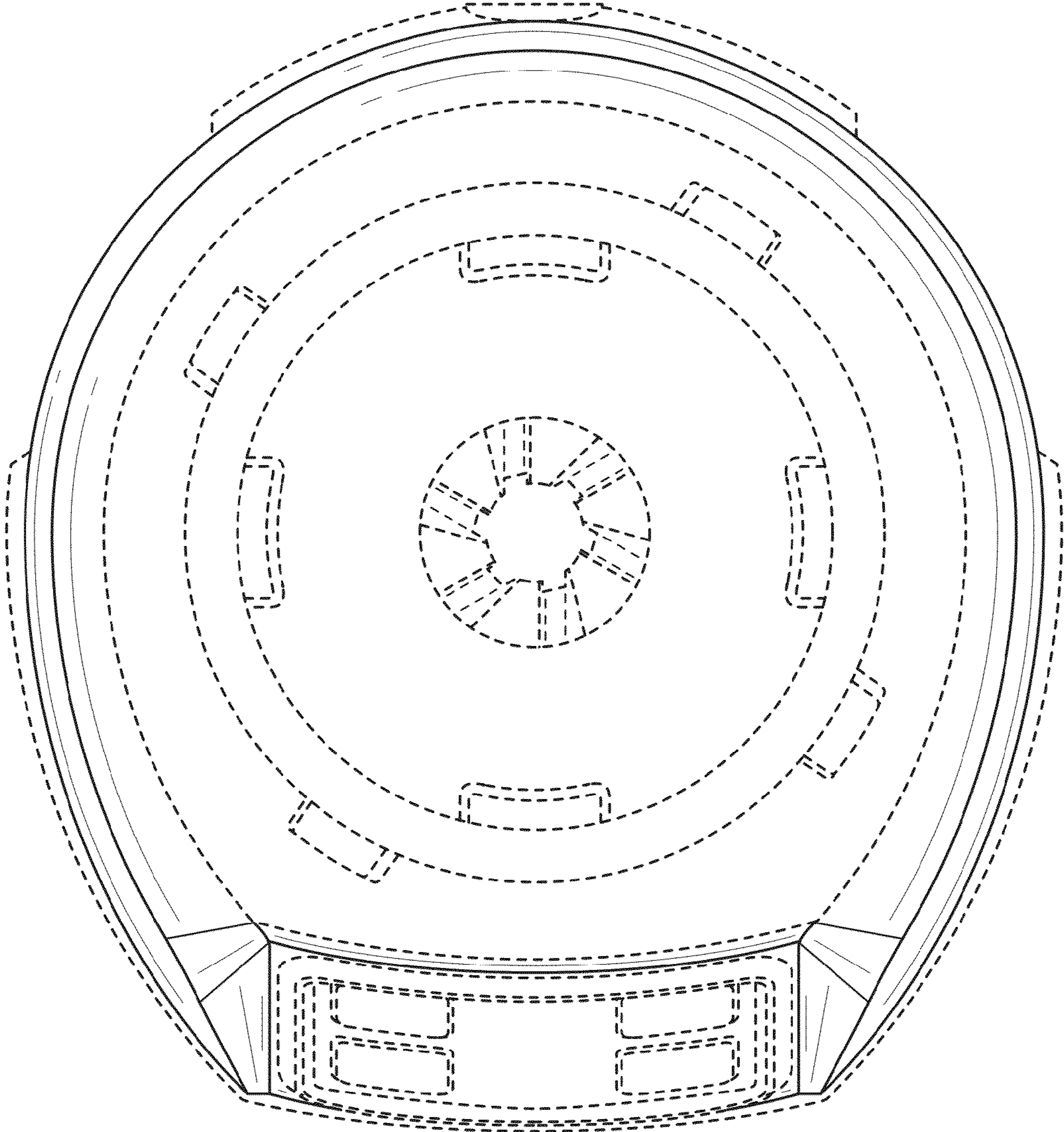


FIG. 6

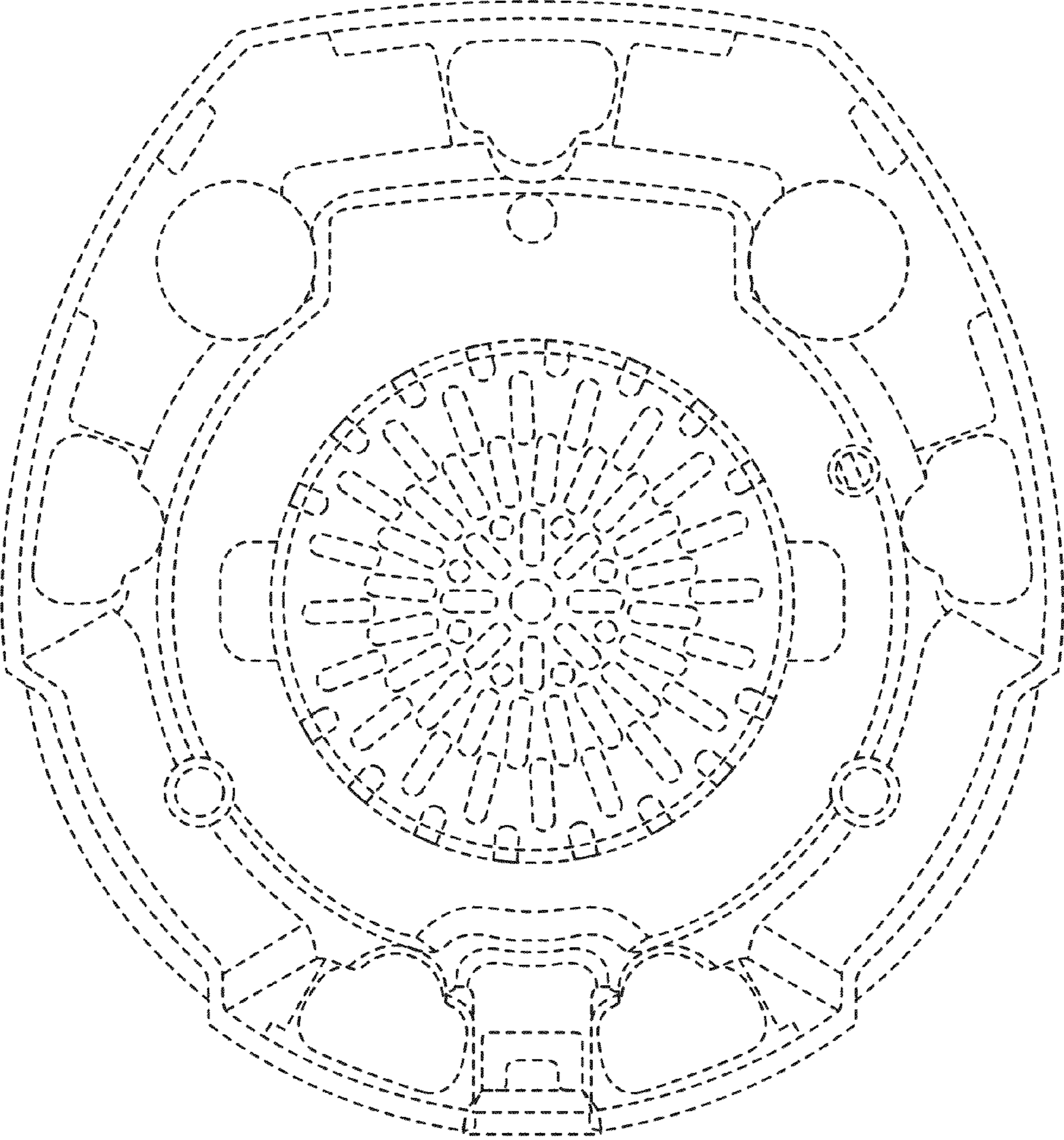


FIG. 7