



US00D731849S

(12) **United States Design Patent**
Arregui Letamendi

(10) **Patent No.:** **US D731,849 S**
(45) **Date of Patent:** **** Jun. 16, 2015**

(54) **OMELETTE MAKER**

(71) Applicant: **Lékué, S.L.**, La Llagosta (ES)

(72) Inventor: **Jokin Arregui Letamendi**, La Llagosta (ES)

(73) Assignee: **Lékué, S.L.** (ES)

(**) Term: **14 Years**

(21) Appl. No.: **29/466,822**

(22) Filed: **Sep. 12, 2013**

(51) **LOC (10) Cl.** **07-02**

(52) **U.S. Cl.**
USPC **D7/354**

(58) **Field of Classification Search**

USPC D7/354-363, 391, 393-396, 409-410,
D7/549, 555, 323; 99/324, 331, 339-340,
99/375, 403, 424-426, 444-445;
126/373.1, 383.1-384.1, 390.1;
219/438-439, 620-622, 682, 731;
220/4.22, 524, 573.1-573.5, 752-753,
220/755-759, 912; 222/465.1, 470, 475.1
CPC A21B 3/13; A47G 19/12; A47J 27/00;
A47J 27/002; A47J 27/08; A47J 27/21;
A47J 27/58; A47J 36/025; A47J 36/06;
A47J 36/12; A47J 37/00; A47J 37/10; A47J
37/101; A47J 37/103; A47J 37/12; A47J
37/1204; A47J 45/061; A47J 45/071; A47J
45/08; B65D 25/04; B65D 43/162; H05B
6/12

See application file for complete search history.

(56) **References Cited**

U.S. PATENT DOCUMENTS

D9,661 S * 12/1876 Heuacker D7/555
386,599 A * 7/1888 Neville 99/424
950,844 A * 3/1910 Dolan 220/524

1,072,892 A * 9/1913 Wilson 220/4.22
1,292,476 A * 1/1919 Kavanagh 220/4.22
2,780,163 A * 2/1957 Lee 99/375

(Continued)

Primary Examiner — Ricky Pham

(74) *Attorney, Agent, or Firm* — Hess Patent Law Firm LLC;
Robert J. Hess

(57) **CLAIM**

An ornamental design for an omelette maker, as shown and described.

DESCRIPTION

FIG. 1 is an isometric view of the top plan, front plan and left side of an omelette maker in an open position showing my new design;

FIG. 2 is an isometric view of the top plan, front plan and left side of the omelette maker in a folded over or closed position thereof;

FIG. 3 is a top plan view of the omelette maker in the open position of FIG. 1 thereof;

FIG. 4 is a bottom plan view of the omelette maker in the open position of FIG. 1 thereof;

FIG. 5 is a front elevational view of the omelette maker in the closed position of FIG. 2;

FIG. 6 is a rear elevational view of the omelette maker in the closed position of FIG. 2;

FIG. 7 is a left side elevational view of the omelette maker in the open position of FIG. 1;

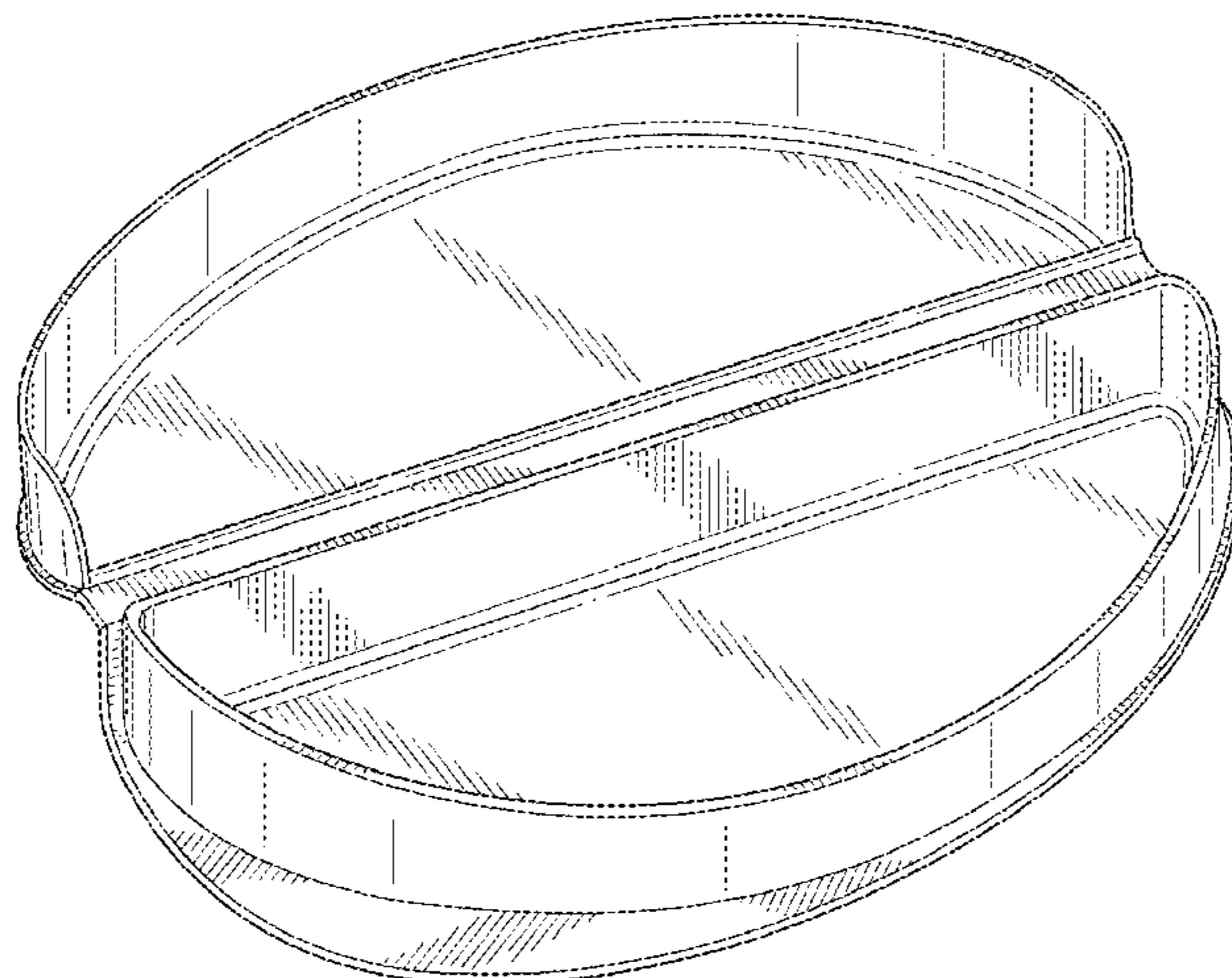
FIG. 8 is a right side elevational view of the omelette maker in the open position of FIG. 1;

FIG. 9 is a transverse cross-section of the omelette maker in the closed position of section line 9-9 of FIG. 2 taken centrally and transverse to that of the front view of FIG. 5.

FIG. 10 is an isometric view of the top plan, front plan and left side of the omelette maker in the open position of FIG. 1; and,

FIG. 11 is an isometric view of the top plan, rear plan and right side of the omelette maker in the open position of FIG. 1.

1 Claim, 11 Drawing Sheets



US D731,849 S

Page 2

(56)

References Cited

U.S. PATENT DOCUMENTS

D339,501 S * 9/1993 Haynes D7/361
D498,980 S * 11/2004 Smith et al. D7/549
D514,384 S * 2/2006 Mitchell et al. D7/410

D536,921 S * 2/2007 Tarlow et al. D7/361
D679,138 S * 4/2013 Valera D7/409
D686,446 S * 7/2013 Valera D7/352
D712,193 S * 9/2014 Nagrani D7/357

* cited by examiner

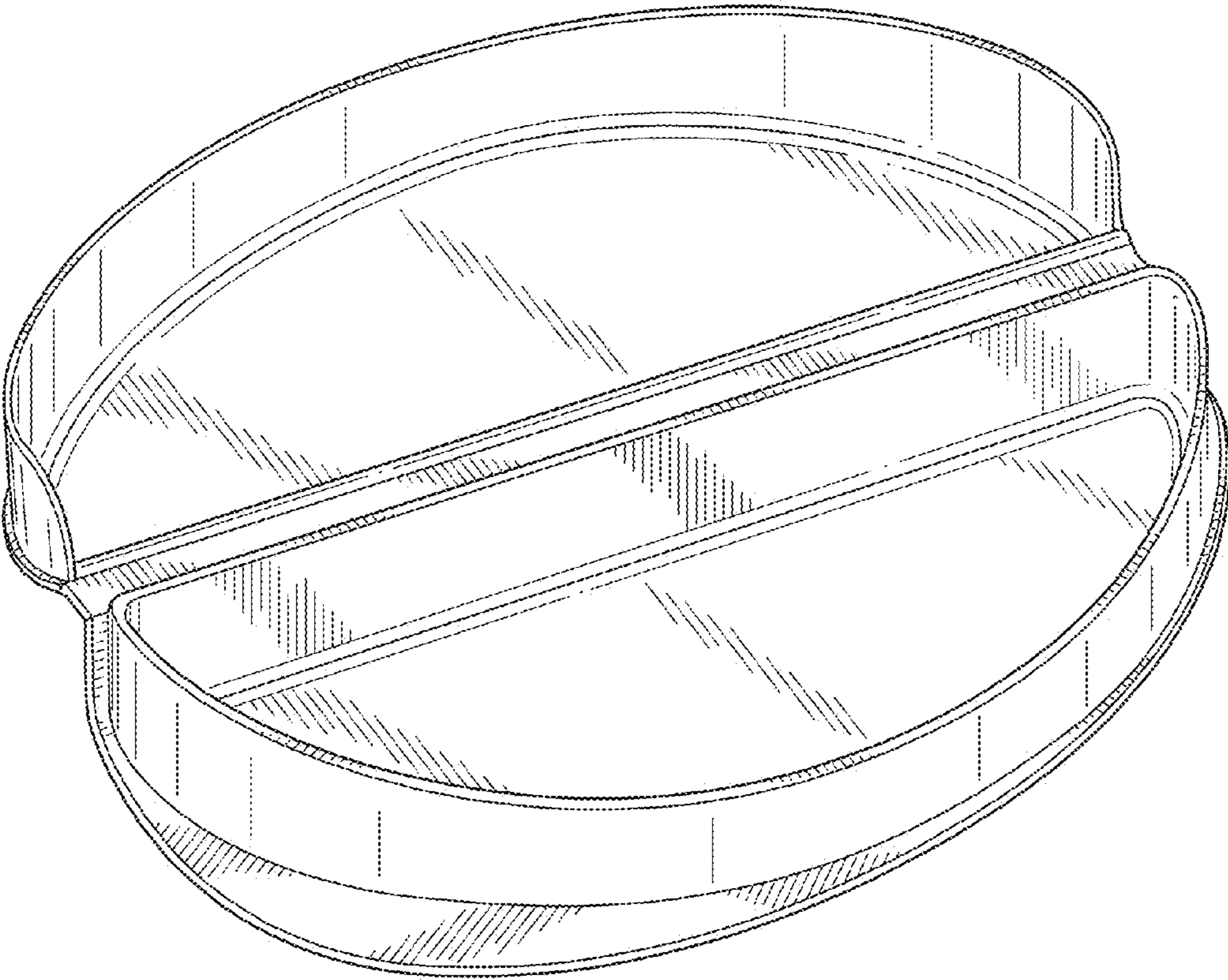


Fig. 1

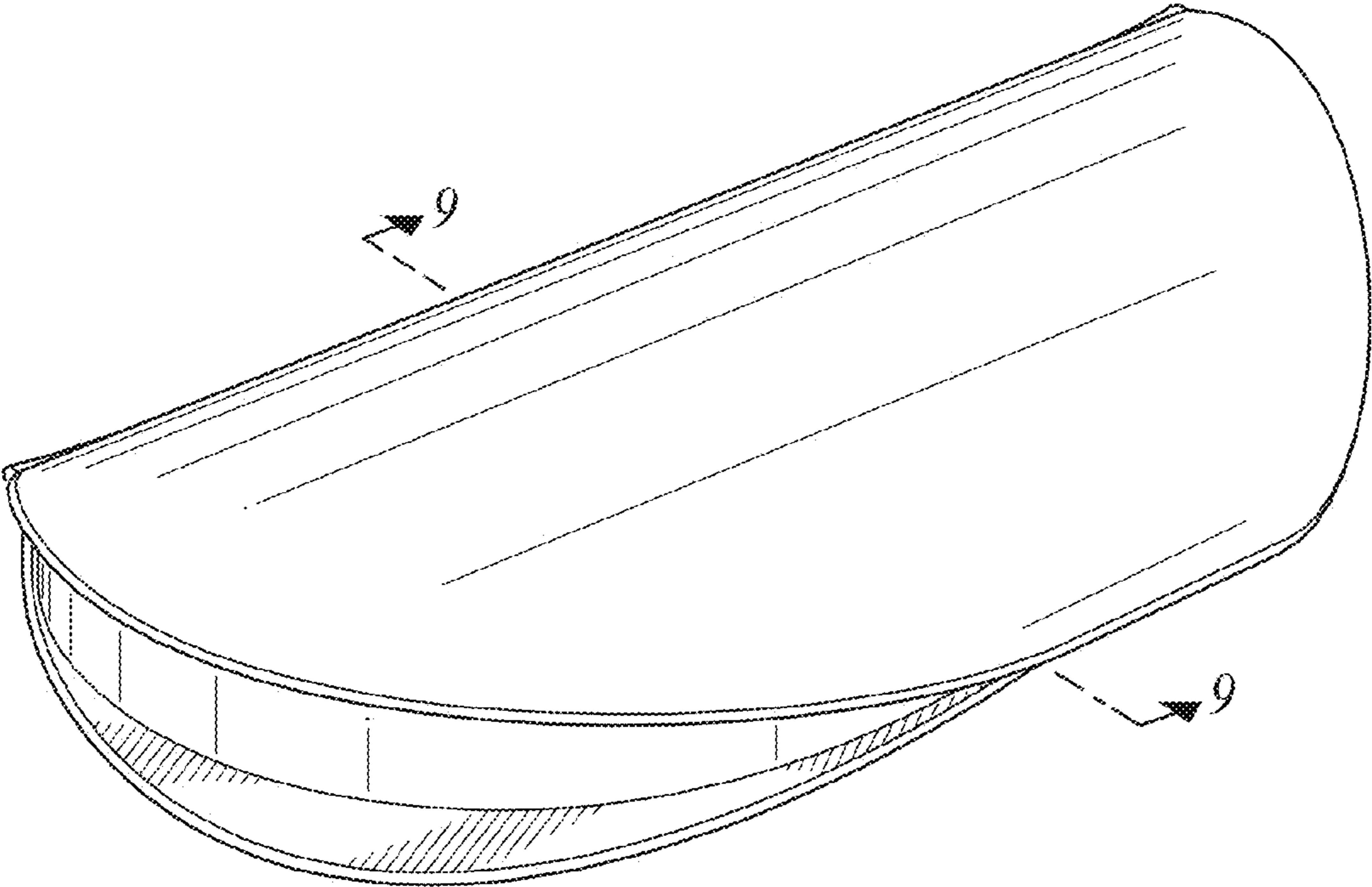


Fig. 2

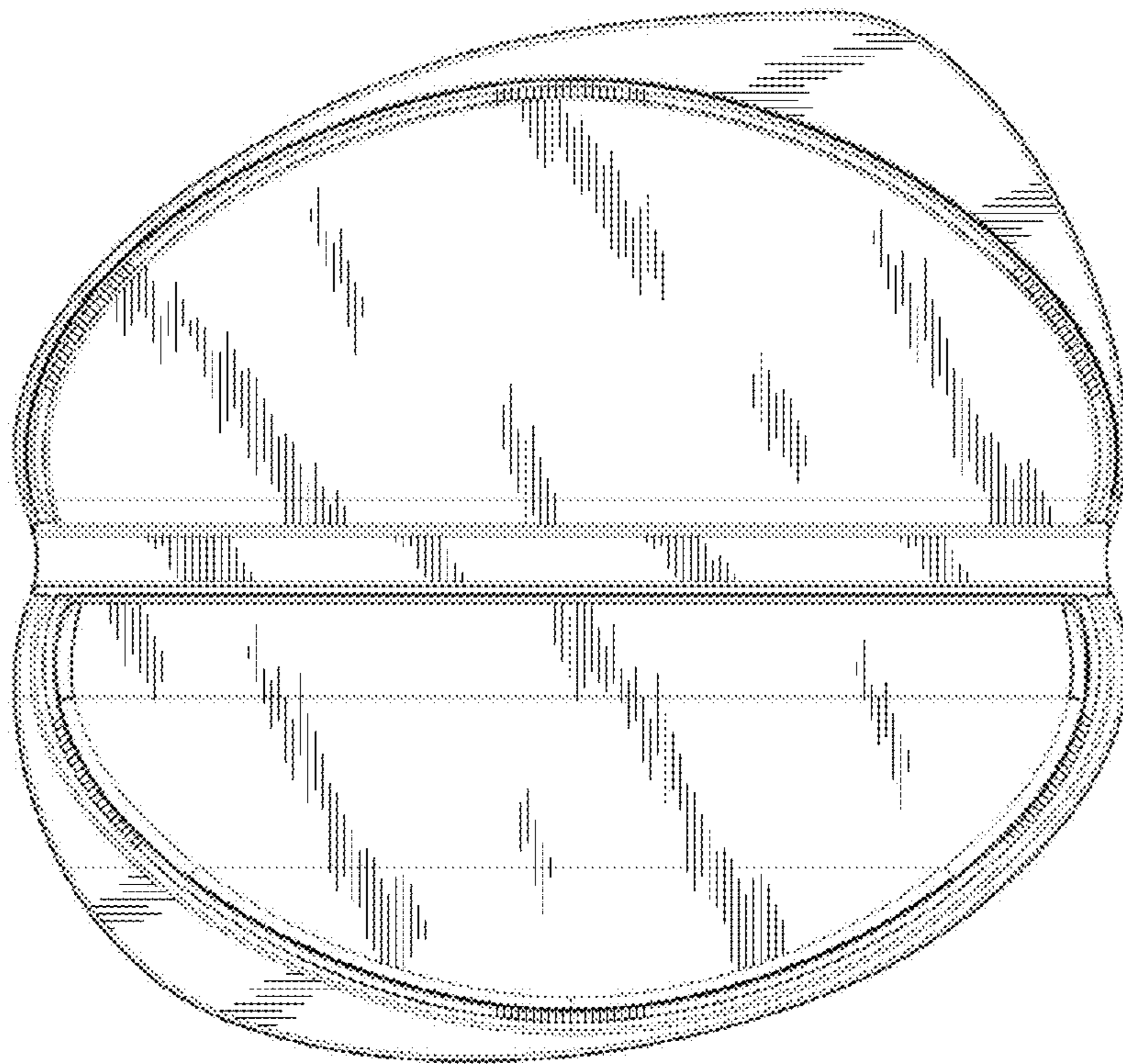


Fig. 3

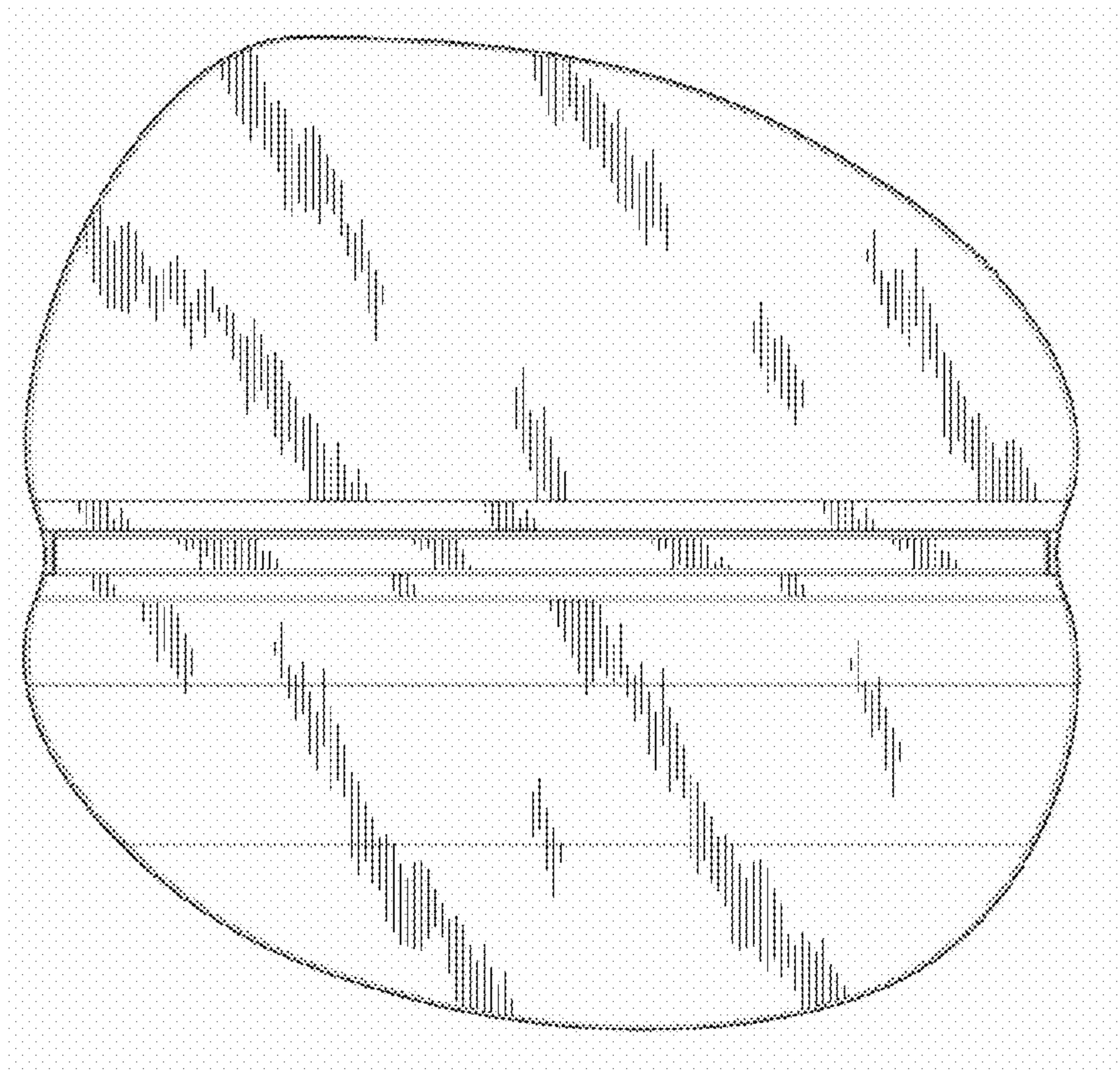


Fig. 4

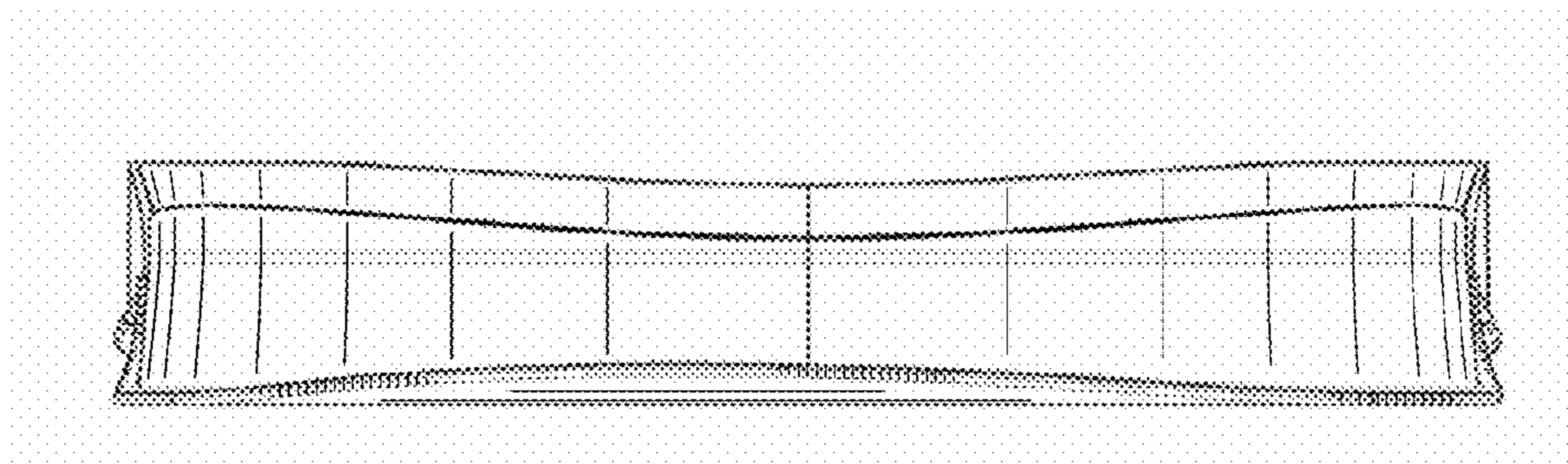


Fig. 5

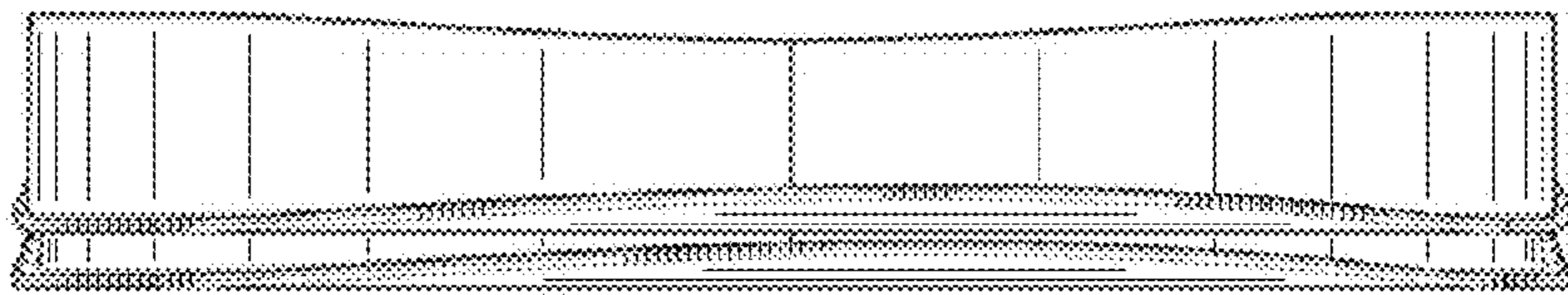


Fig. 6

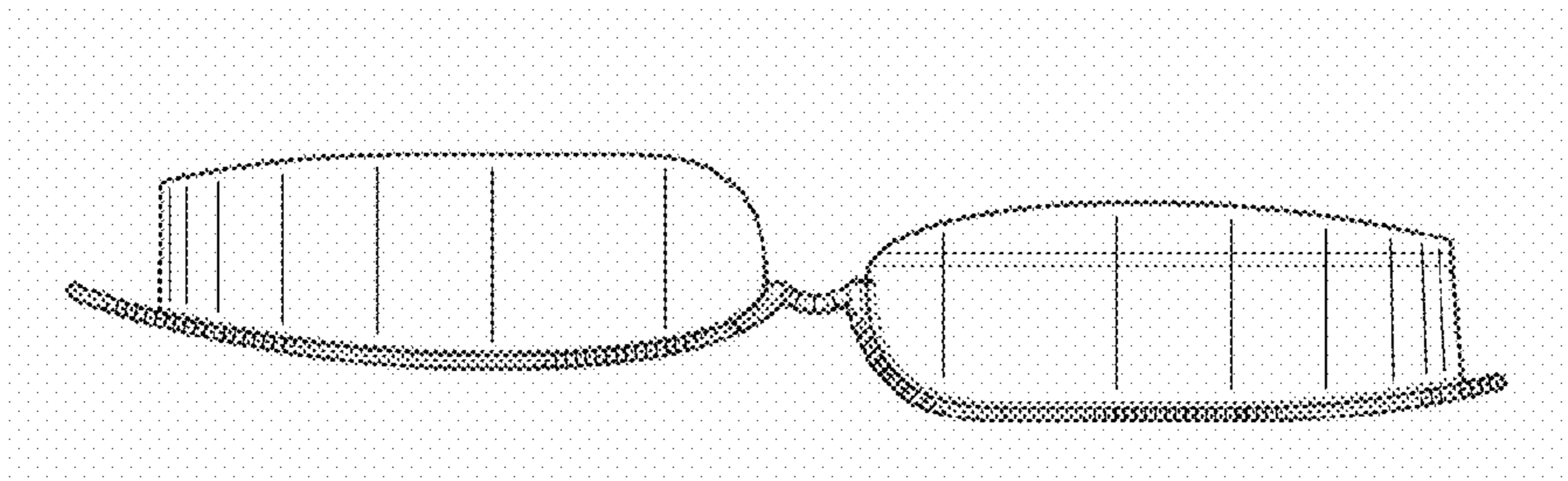


Fig. 7

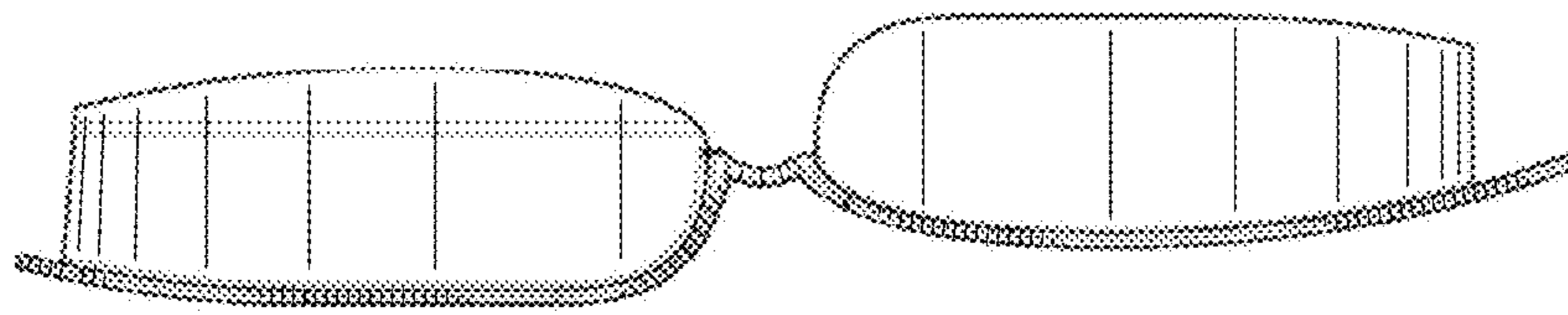


Fig. 8

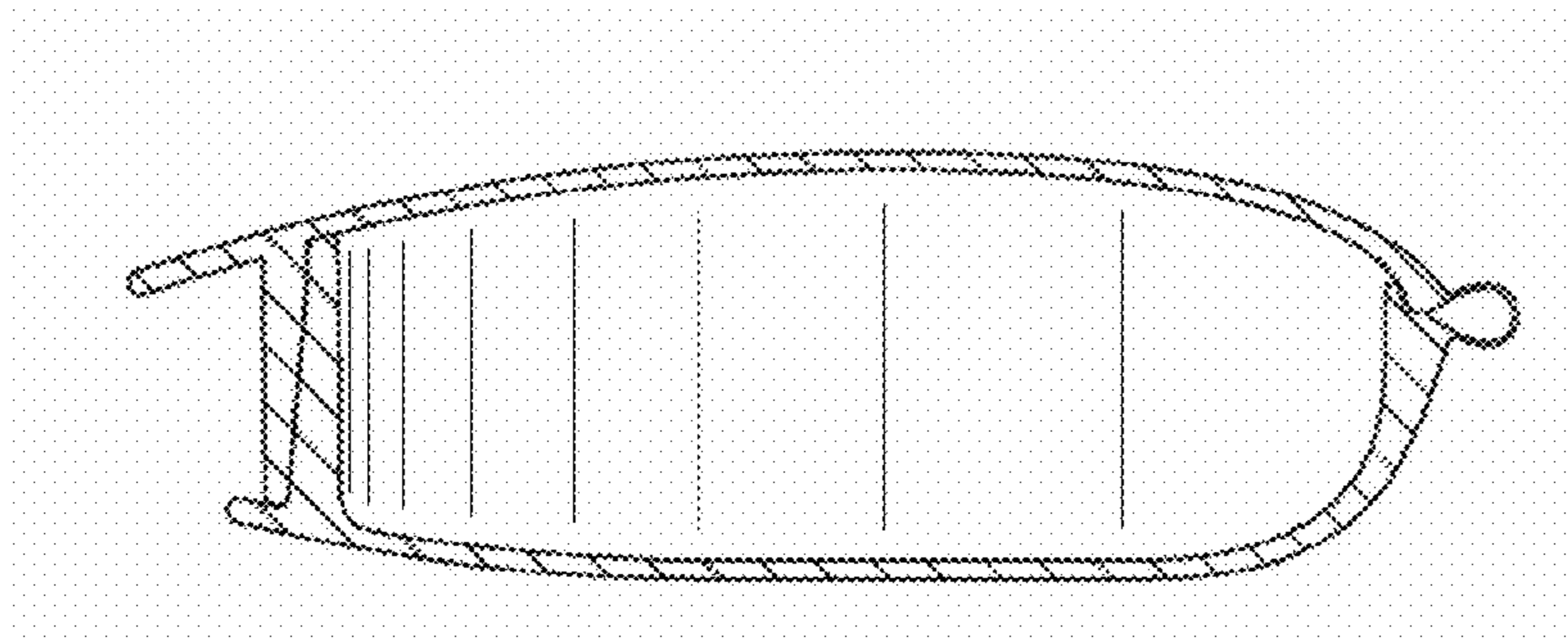


Fig.9

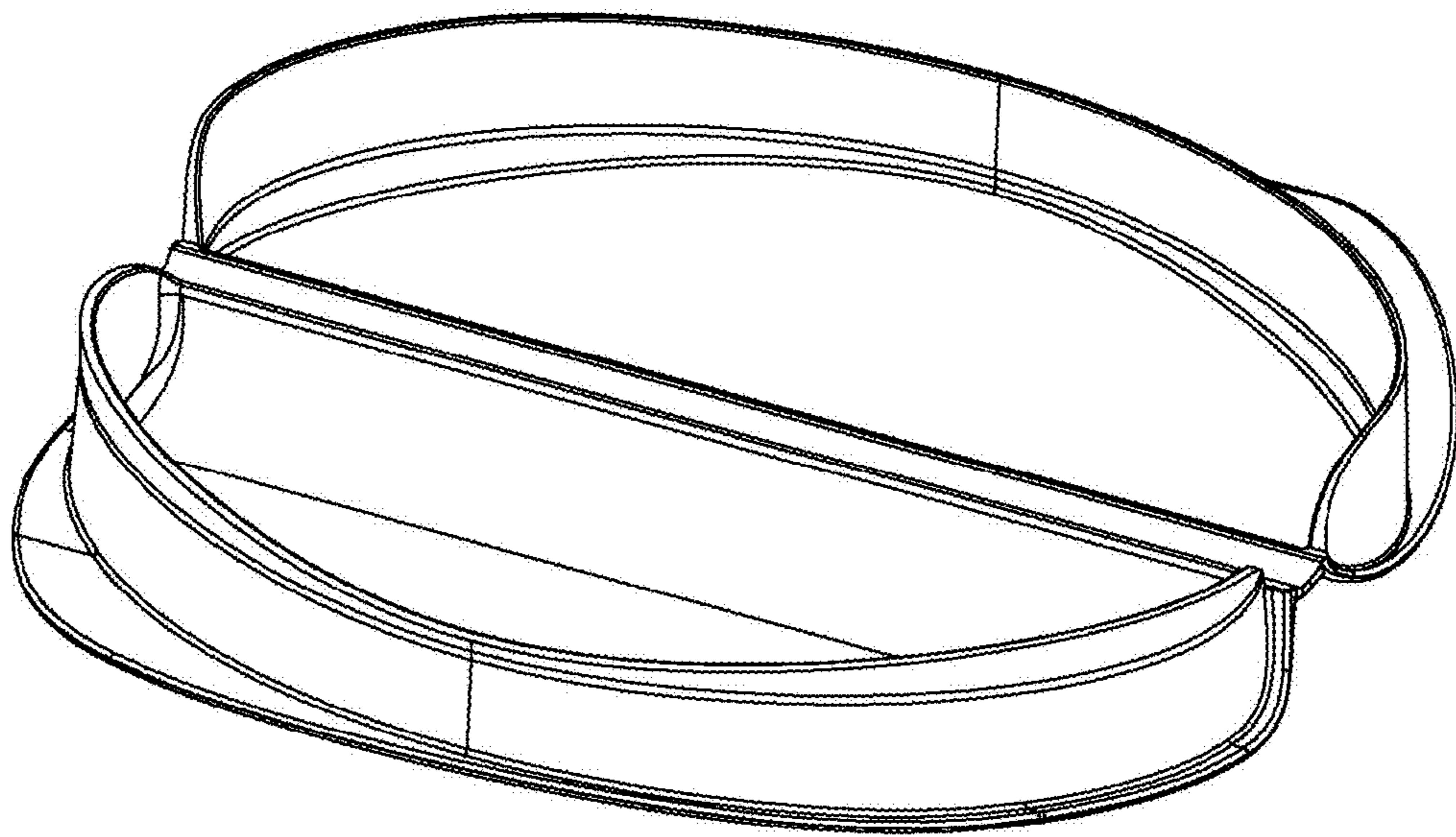


FIG. 10

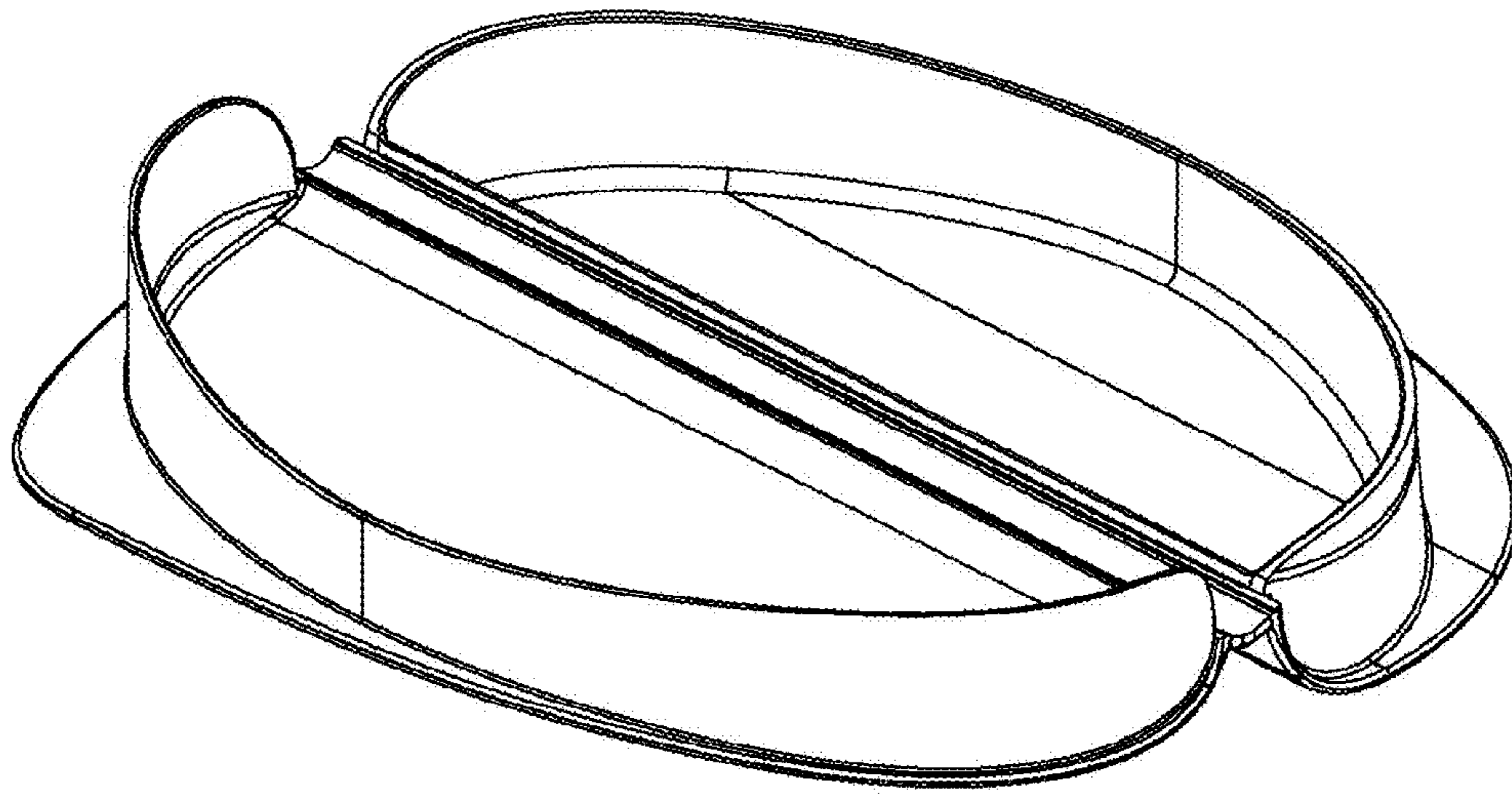


FIG. 11