

US00D731847S

(12) **United States Design Patent**
Arregui Letamendi

(10) **Patent No.:** **US D731,847 S**
(45) **Date of Patent:** **** Jun. 16, 2015**

(54) **PASTA COOKER**

(71) Applicant: **LEKUE, S.L.**, La Llagosta (Barcelona)
(ES)

(72) Inventor: **Jokin Arregui Letamendi**, La Llagosta
(ES)

(73) Assignee: **Lékué S.L.** (ES)

(**) Term: **14 Years**

(21) Appl. No.: **29/460,768**

(22) Filed: **Jul. 15, 2013**

(51) **LOC (10) Cl.** **07-02**

(52) **U.S. Cl.**
USPC **D7/354**

(58) **Field of Classification Search**

USPC D7/323, 354–363, 391, 393–396, 409,
D7/538, 601, 628, 629; D9/424, 425;
D10/46.2; D11/152; D30/121; D32/53;
30/123; 99/324, 331, 339–340, 403,
99/425–426, 444–445; 126/373.1,
126/383.1–384.1, 390.1; 219/438–439,
219/620–622; 220/573.1–573.5, 752–753,
220/755–759, 912; 222/465.1, 470, 475.1
CPC A21C 15/04; A47G 19/12; A47J 27/00;
A47J 27/002; A47J 27/08; A47J 27/21;
A47J 27/58; A47J 36/025; A47J 36/06;
A47J 36/12; A47J 37/00; A47J 37/10; A47J
37/101; A47J 37/103; A47J 37/12; A47J
37/1204; A47J 45/061; A47J 45/071; A47J
45/08; H05B 6/12

See application file for complete search history.

(56) **References Cited**

U.S. PATENT DOCUMENTS

D381,560 S * 7/1997 Indekeu D7/538
D415,392 S * 10/1999 Wallays et al. D7/601

(Continued)

Primary Examiner — Ricky Pham

(74) *Attorney, Agent, or Firm* — Hess Patent law Firm LLC;
Robert J. Hess

(57) **CLAIM**

An ornamental design for a pasta cooker, as shown and described.

DESCRIPTION

FIG. 1 is an isometric view of a pasta cooker in an operative position showing my new design with an basket fitted on a base;

FIG. 2 is an exploded isometric view of the pasta cooker in an open position thereof with the basket off the base;

FIG. 3 is a top plan view of the pasta cooker in the operative position of FIG. 1 thereof showing a topside of the basket with an aperture pattern, which aperture pattern is symmetric to a corresponding aperture pattern in the underside of the basket;

FIG. 4 is an enlarged bottom plan view of the pasta cooker in the operative position of FIG. 1 thereof;

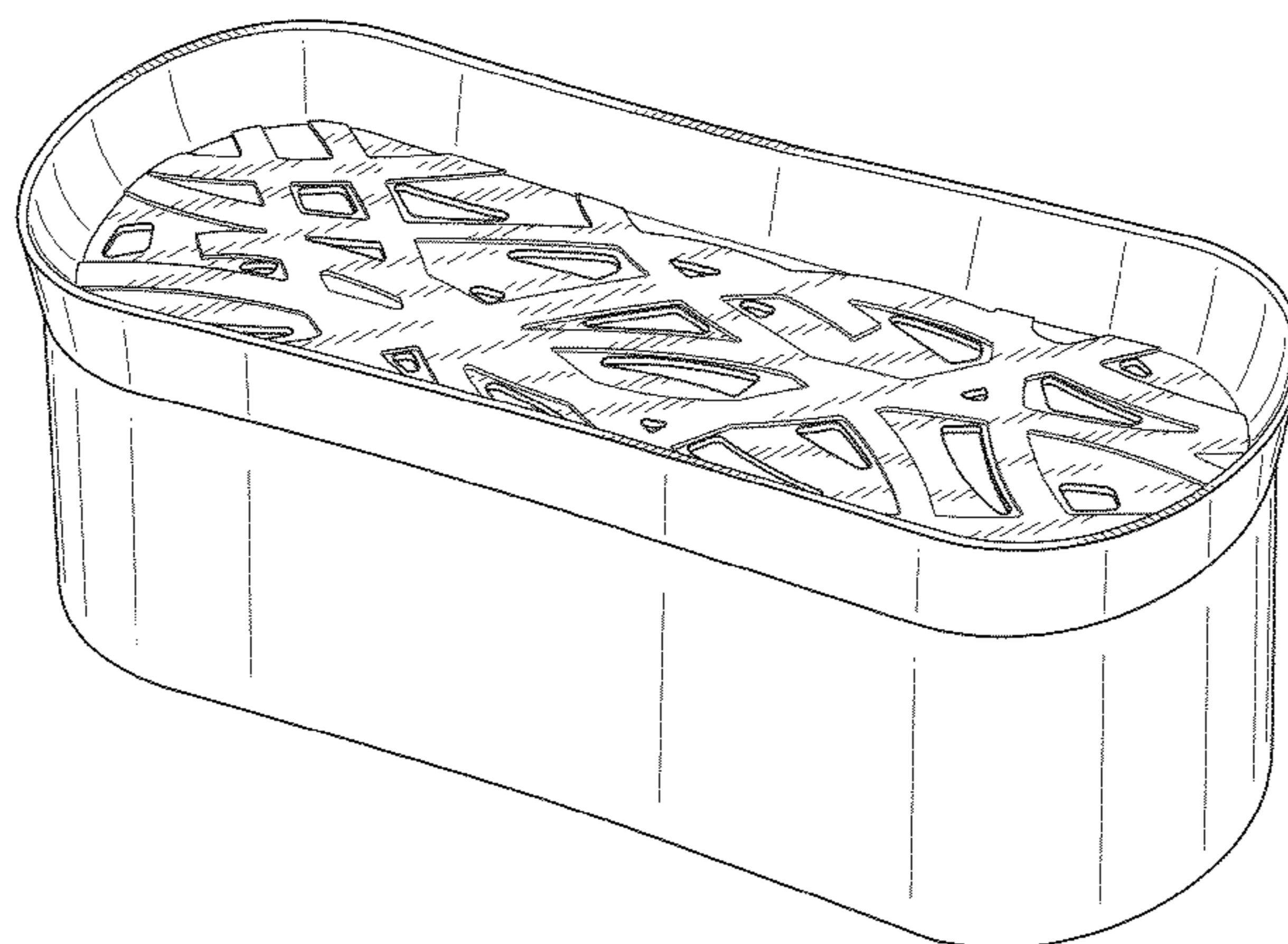
FIG. 5 is an enlarged left side elevation view of the pasta cooker in the operative position of FIG. 1 with the left side elevation view being symmetric to a right side elevation view thereof;

FIG. 6 is an enlarged front elevation view of the pasta cooker in the operative position of FIG. 1 thereof, with the front elevation view being symmetric to a rear elevation view thereof; and,

FIG. 7 is an enlarged widthwise cross-sectional view of the pasta cooker in the operative position of FIG. 1 thereof that is taken midway widthwise across section lines 7-7 of FIG. 5.

The underside of the basket is flat and normally hidden from view in the operative position of FIG. 1. An entirety of a topside of the bottom of the base is flat, plain and unornamented in the manner partially shown in FIG. 2. The base has a wall that is plain and unornamented and has curvature along its entirety in the manner partially shown in FIG. 2. The curvature of the inside surface of the wall includes convex curvature along entireties of each of the two ends of the wall and concave curvature along entireties of each of the elongated portions of the wall that extends between the two ends.

1 Claim, 7 Drawing Sheets



(56)

References Cited

U.S. PATENT DOCUMENTS

D447,688 S * 9/2001 Jalet et al. D9/425
6,381,852 B1 * 5/2002 Wallays et al. 30/123
D521,812 S * 5/2006 Kim D7/629
D584,174 S * 1/2009 Jalet D10/46.2

D612,214 S * 3/2010 Murray D7/628
D632,446 S * 2/2011 Tseng D32/53
D632,956 S * 2/2011 Fuller et al. D9/424
D634,669 S * 3/2011 Brandstätter D11/152
D634,970 S * 3/2011 Pallotto D7/354
D661,943 S * 6/2012 Pallotto et al. D7/354
D710,059 S * 7/2014 Risser et al. D30/121

* cited by examiner

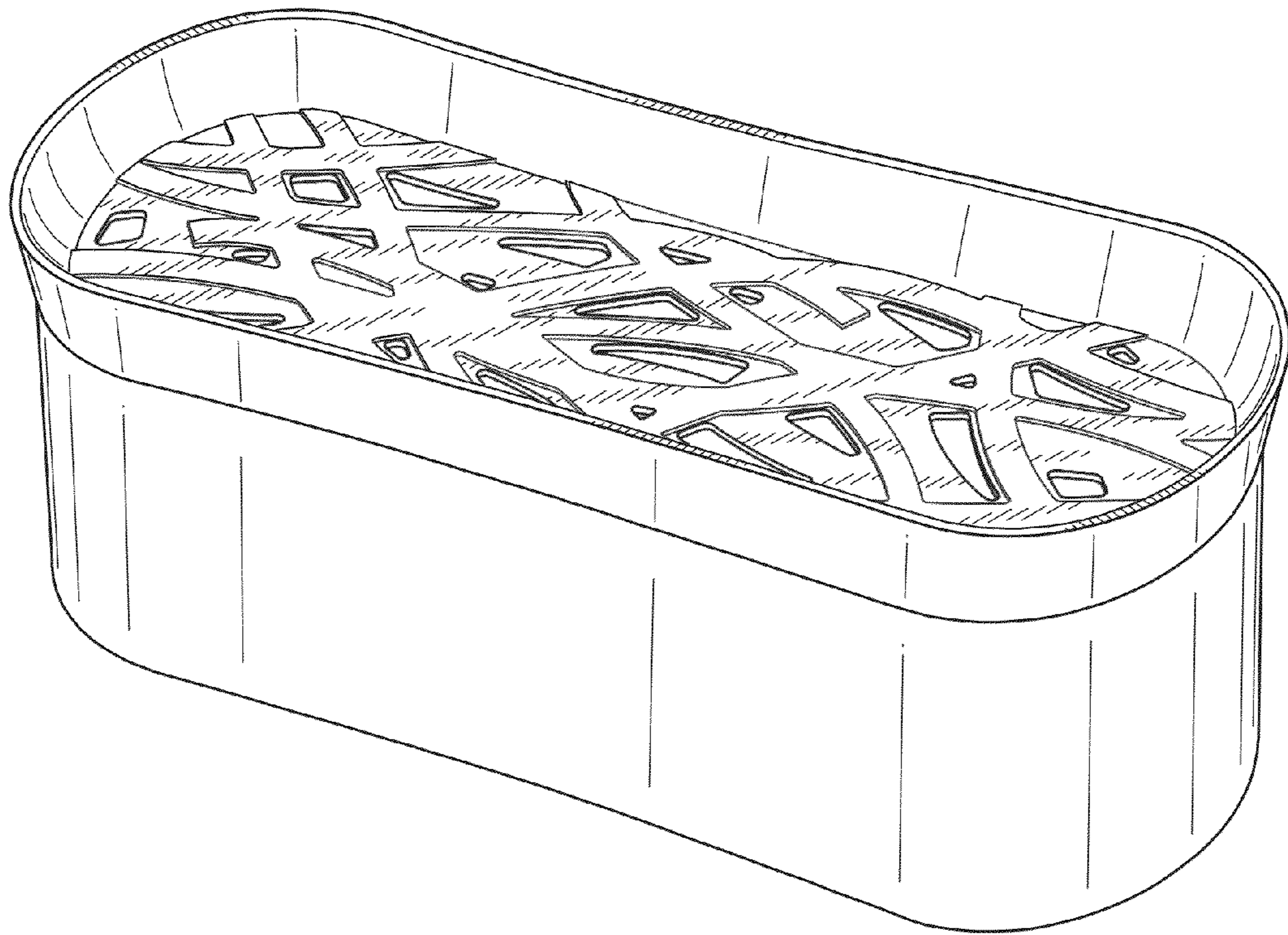
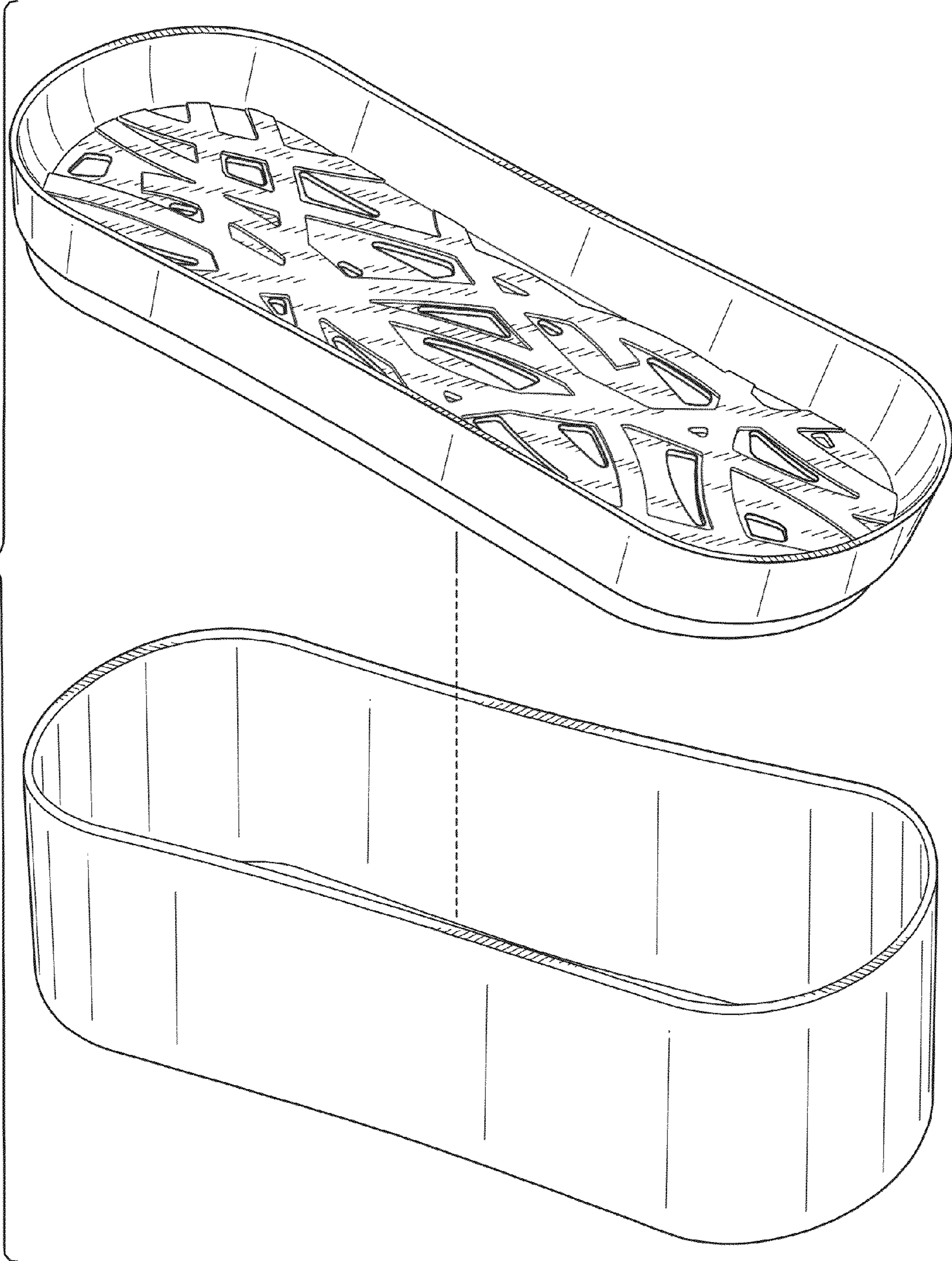


Fig. 1

Fig. 2



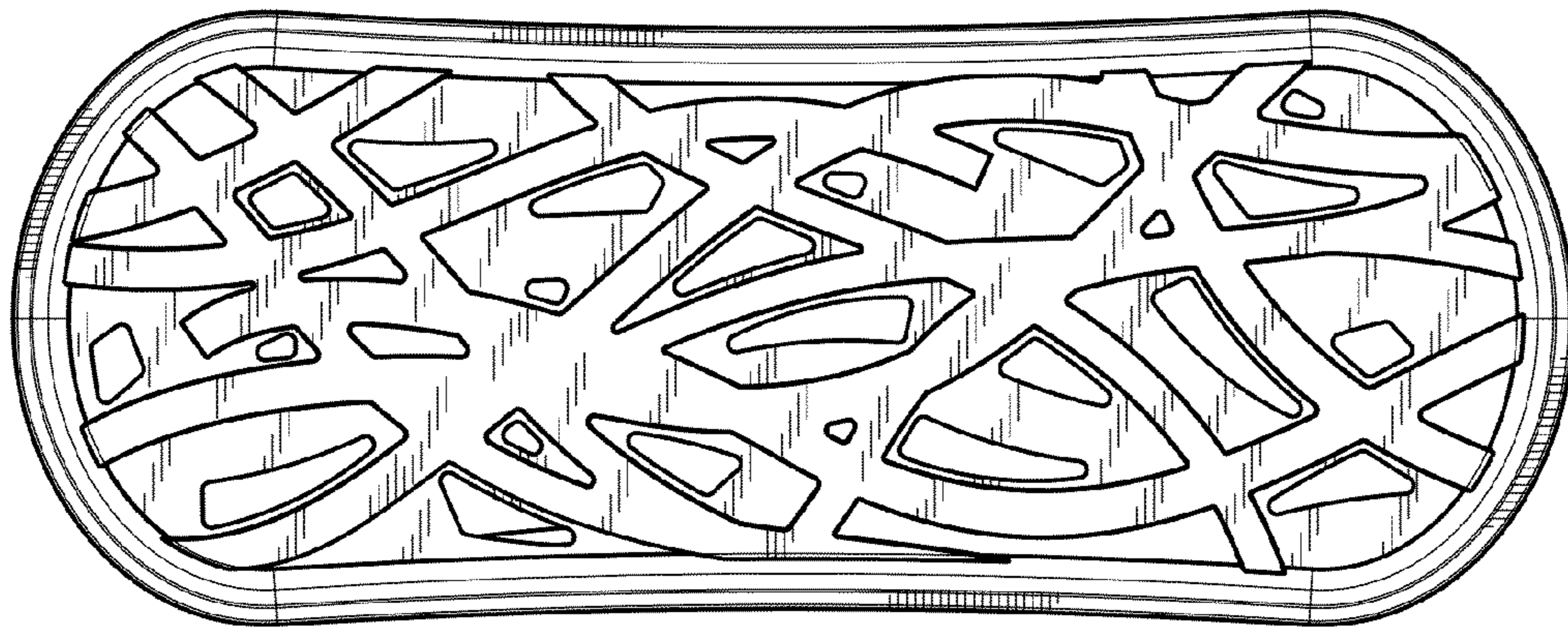


Fig. 3

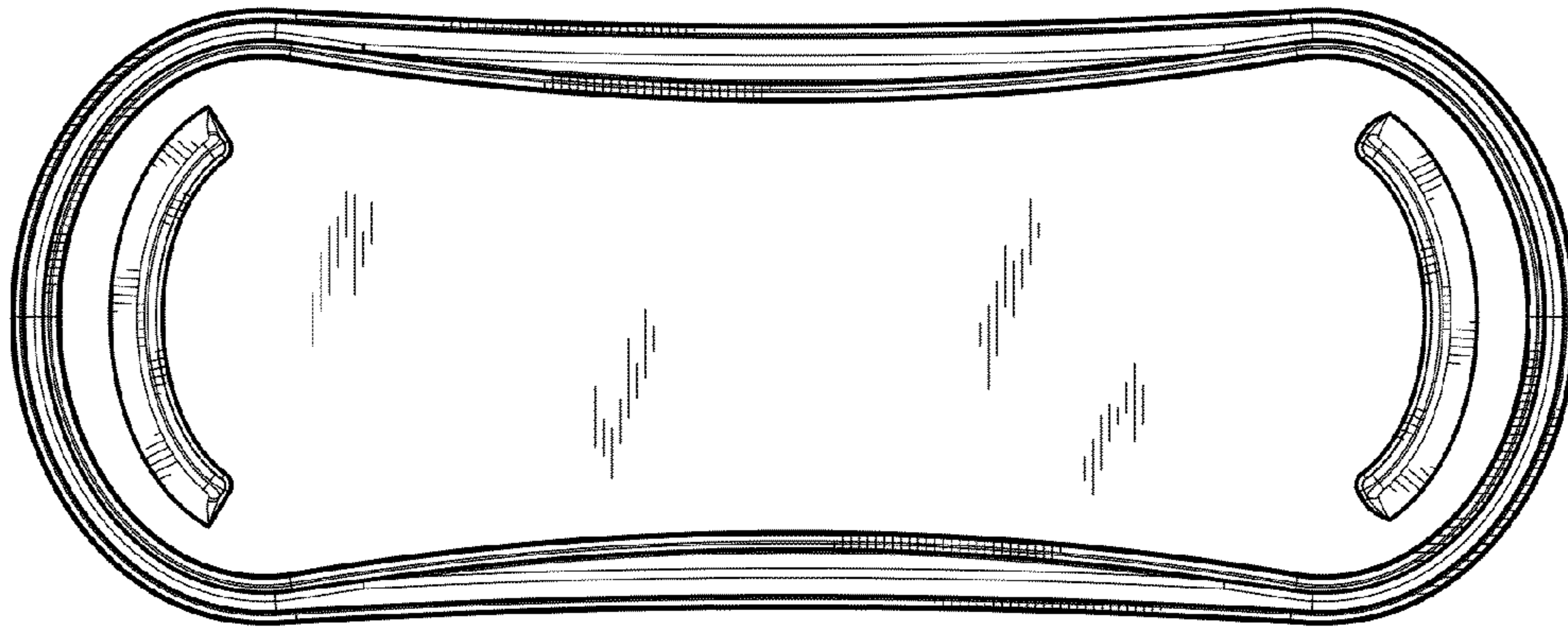


Fig. 4

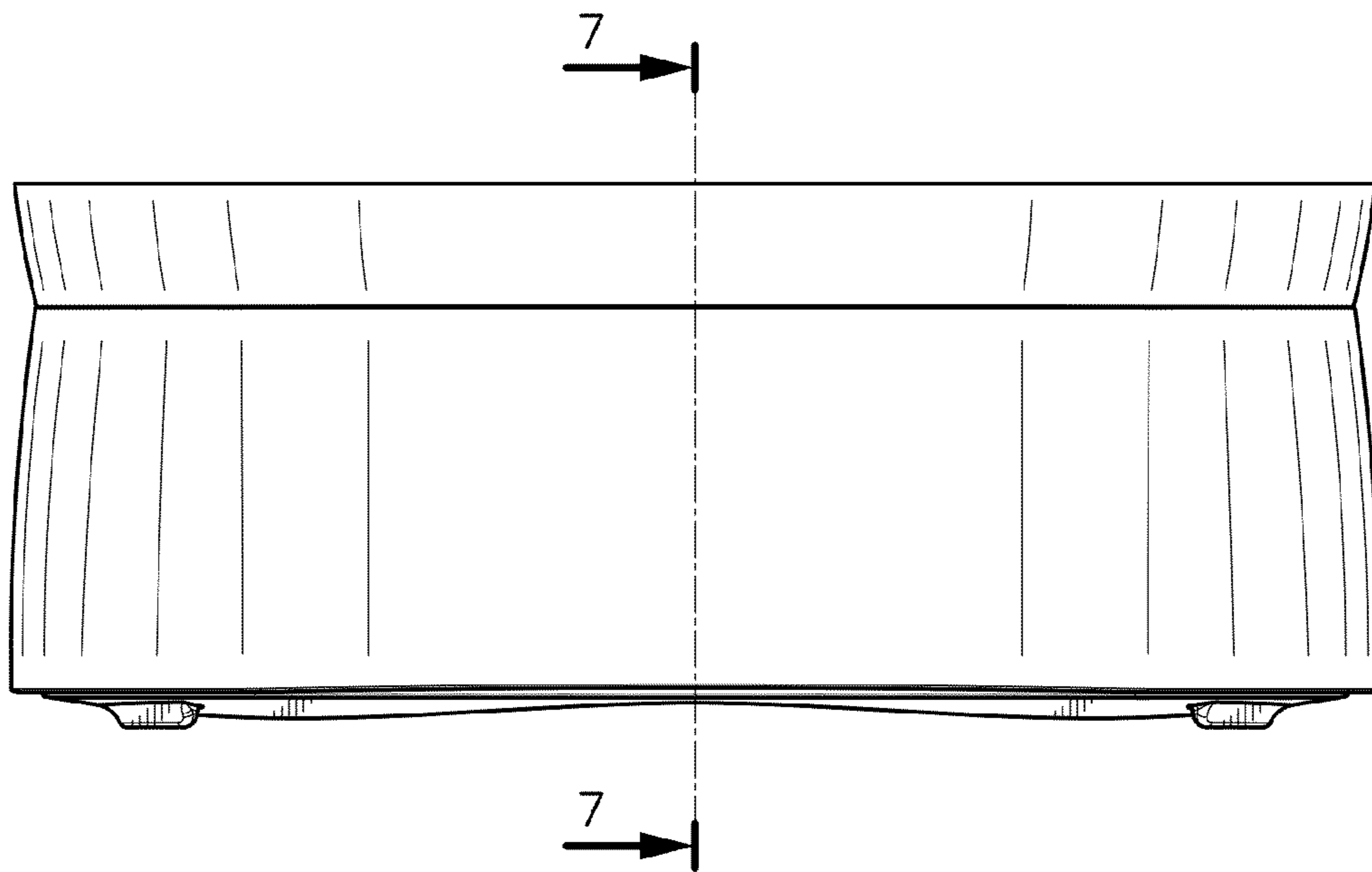


Fig.5

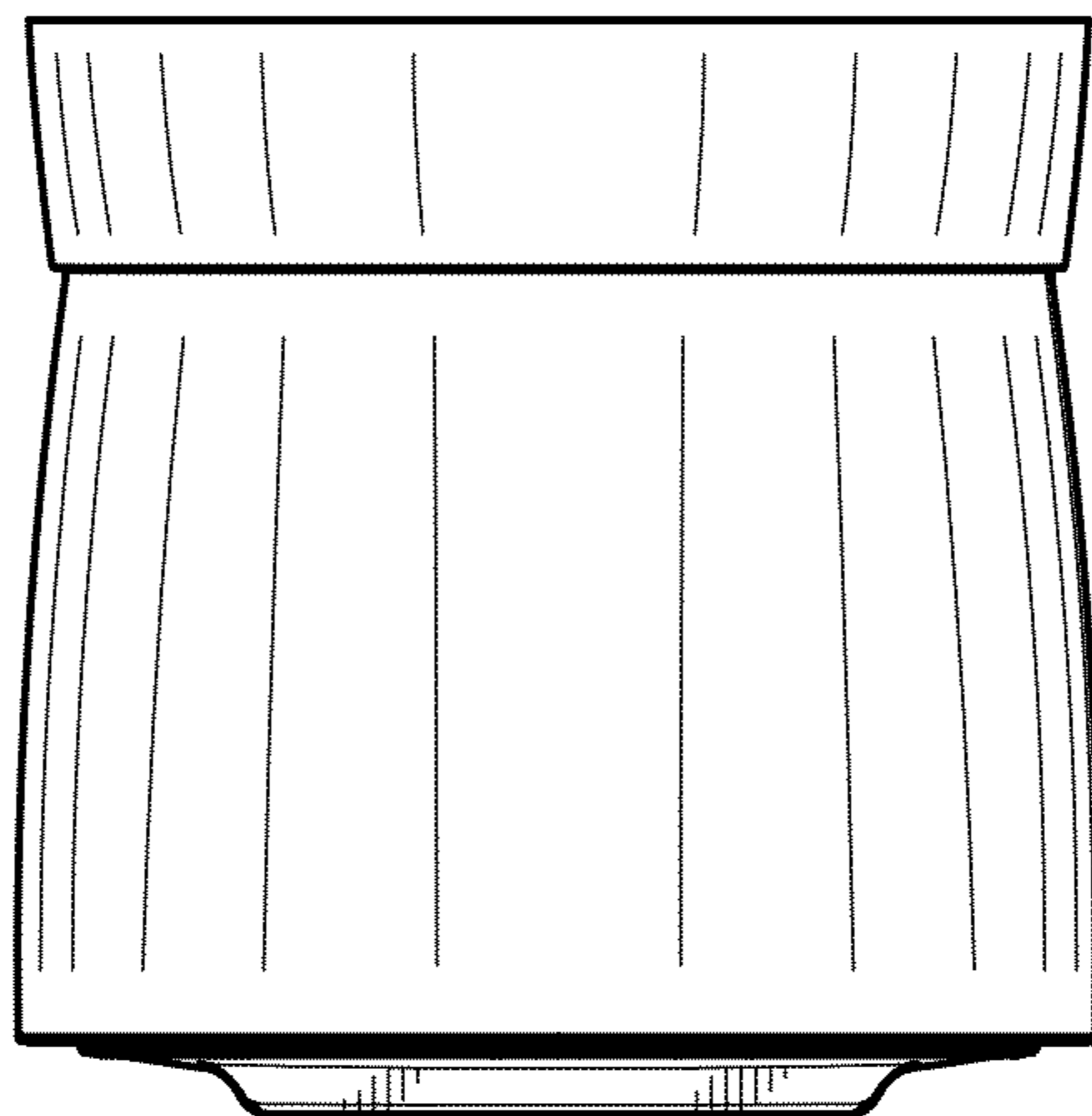


Fig. 6

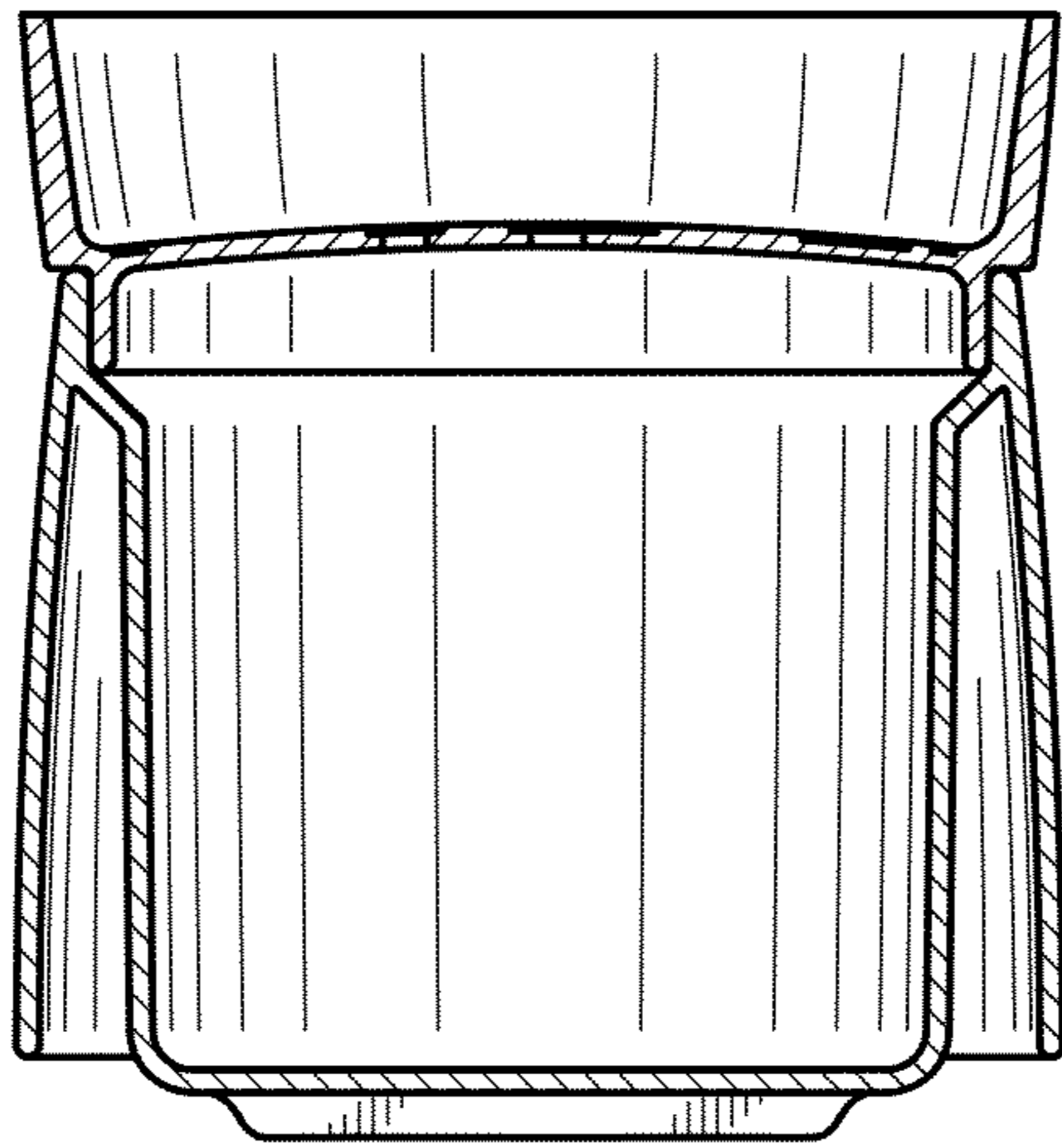


Fig. 7