



US00D731843S

(12) **United States Design Patent**  
**Chung**

(10) **Patent No.:** **US D731,843 S**  
(45) **Date of Patent:** **\*\* Jun. 16, 2015**

(54) **BARBECUE GRILL**

(71) Applicant: **Kiosky Chung**, Taichung (TW)

(72) Inventor: **Kiosky Chung**, Taichung (TW)

(\*\*) Term: **14 Years**

(21) Appl. No.: **29/482,309**

(22) Filed: **Feb. 17, 2014**

(51) **LOC (10) Cl.** ..... **07-02**

(52) **U.S. Cl.**  
USPC ..... **D7/334**

(58) **Field of Classification Search**  
USPC ..... D7/332, 334–337, 402–405, 416–417  
CPC ..... A47J 37/0704; A47J 37/0763; A47J  
37/0745; A47J 37/0713; A23B 4/052; F24C  
3/14; F24C 3/027; F24B 1/205  
See application file for complete search history.

(56) **References Cited**

**U.S. PATENT DOCUMENTS**

D549,514 S \* 8/2007 Chung ..... D7/334  
D571,604 S \* 6/2008 Chung ..... D7/334  
D581,199 S \* 11/2008 Chau ..... D7/334

D624,782 S \* 10/2010 Chung ..... D7/334  
D680,798 S \* 4/2013 Chung ..... D7/334  
D682,007 S \* 5/2013 Davis et al. .... D7/334  
D688,512 S \* 8/2013 Chung ..... D7/334  
D693,624 S \* 11/2013 Chung ..... D7/334

\* cited by examiner

*Primary Examiner* — Ruth McInroy

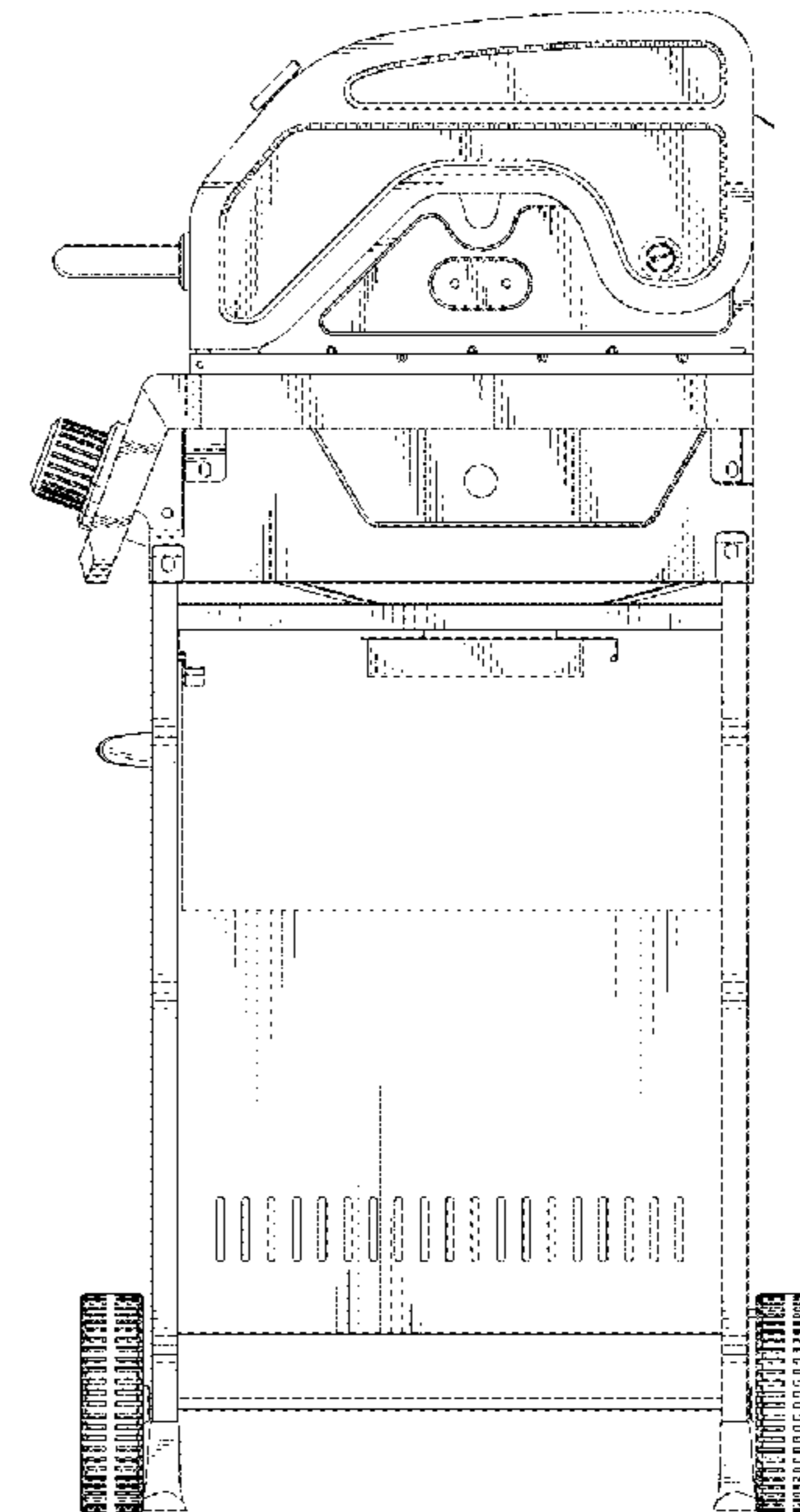
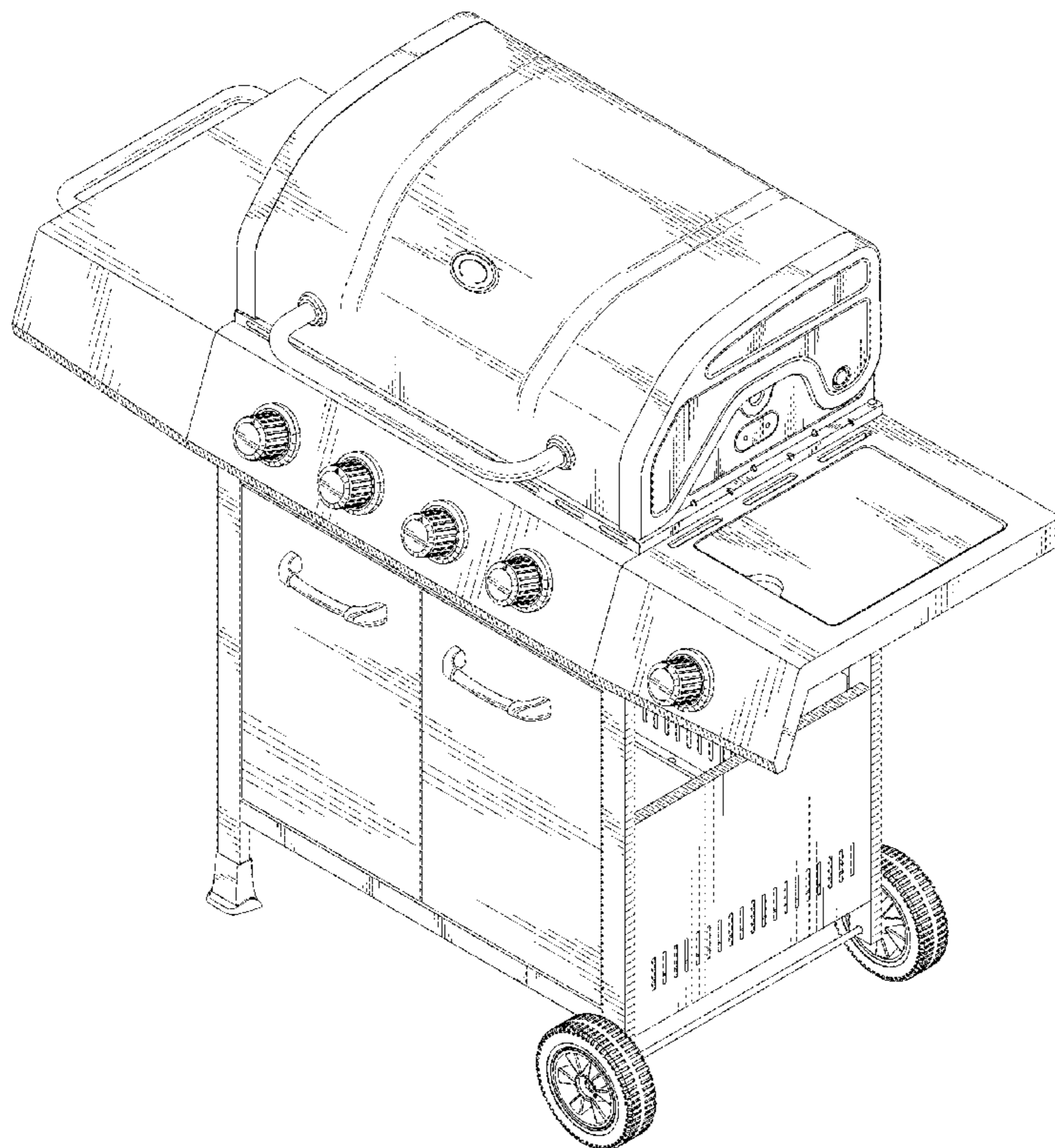
(57) **CLAIM**

I claim the ornamental design for a barbecue grill, as shown and described.

**DESCRIPTION**

FIG. 1 is a perspective view of a barbecue grill showing my new design;  
FIG. 2 is a front view thereof;  
FIG. 3 is a rear view thereof;  
FIG. 4 is a left side view thereof;  
FIG. 5 is a right side view thereof;  
FIG. 6 is a top view thereof; and,  
FIG. 7 is a bottom view thereof.  
The broken lines shown in the drawings are for the purpose of illustrating unclaimed portions of the barbecue grill and form no part of the claimed design.

**1 Claim, 7 Drawing Sheets**



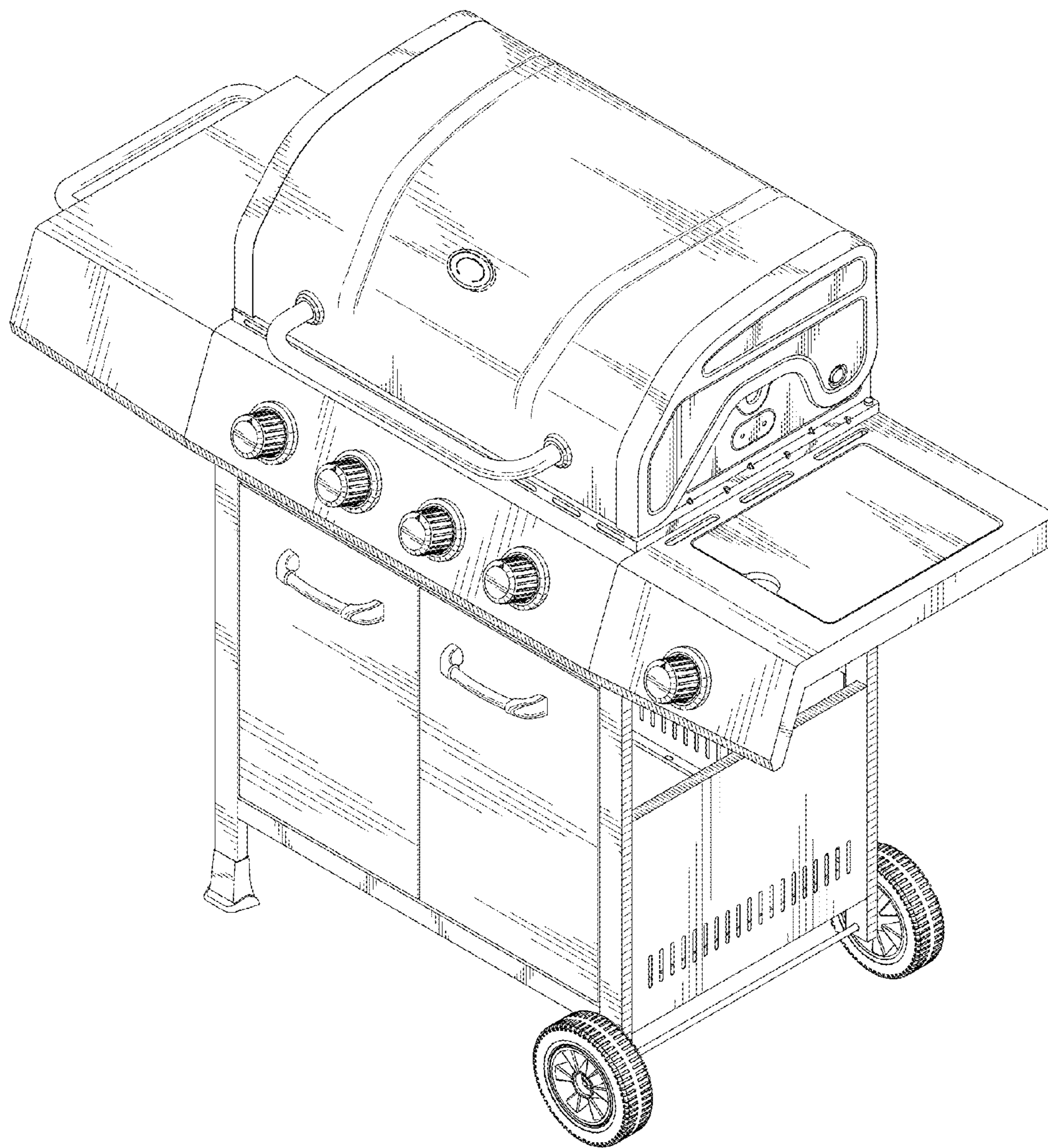


FIG. 1

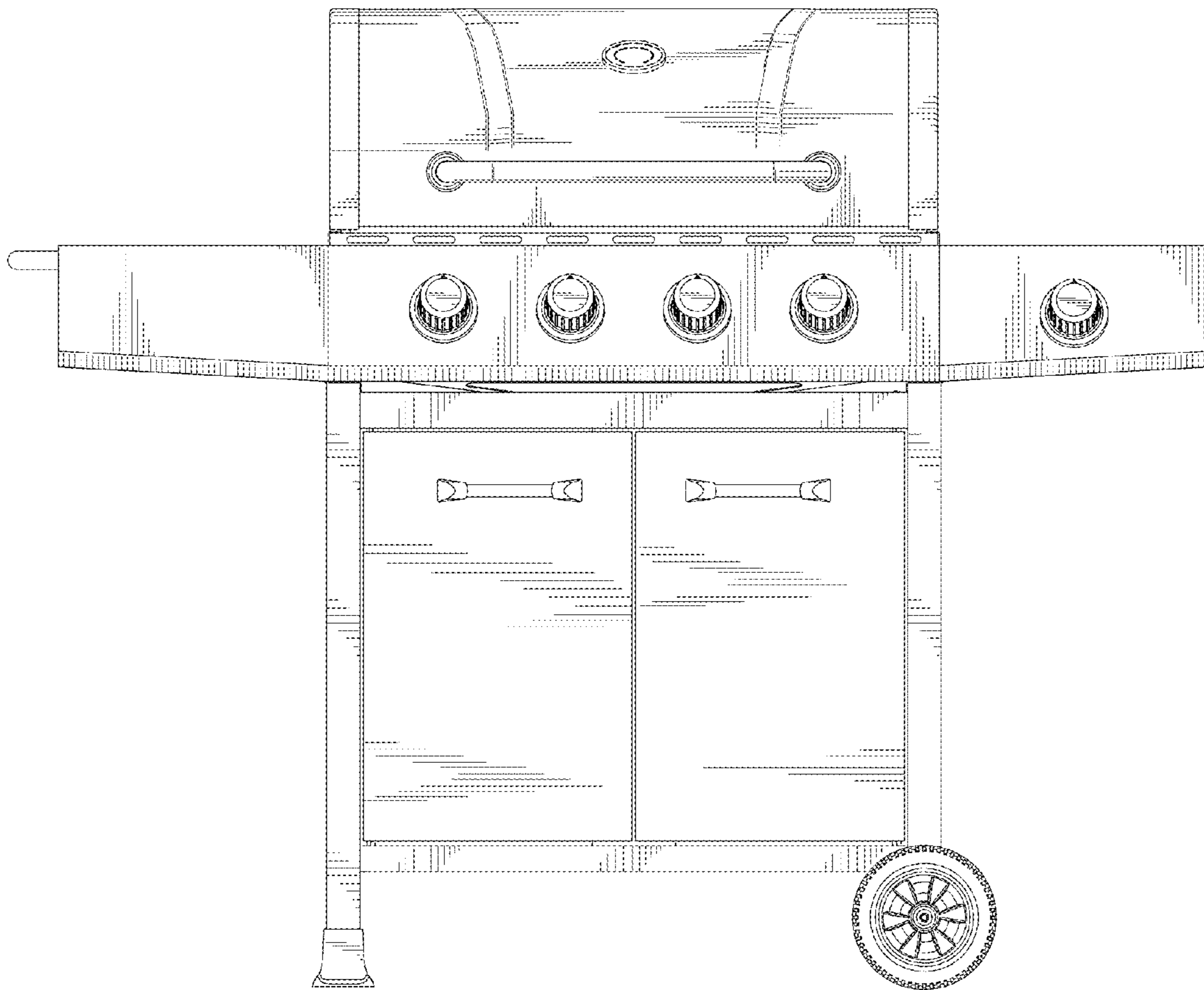


FIG. 2



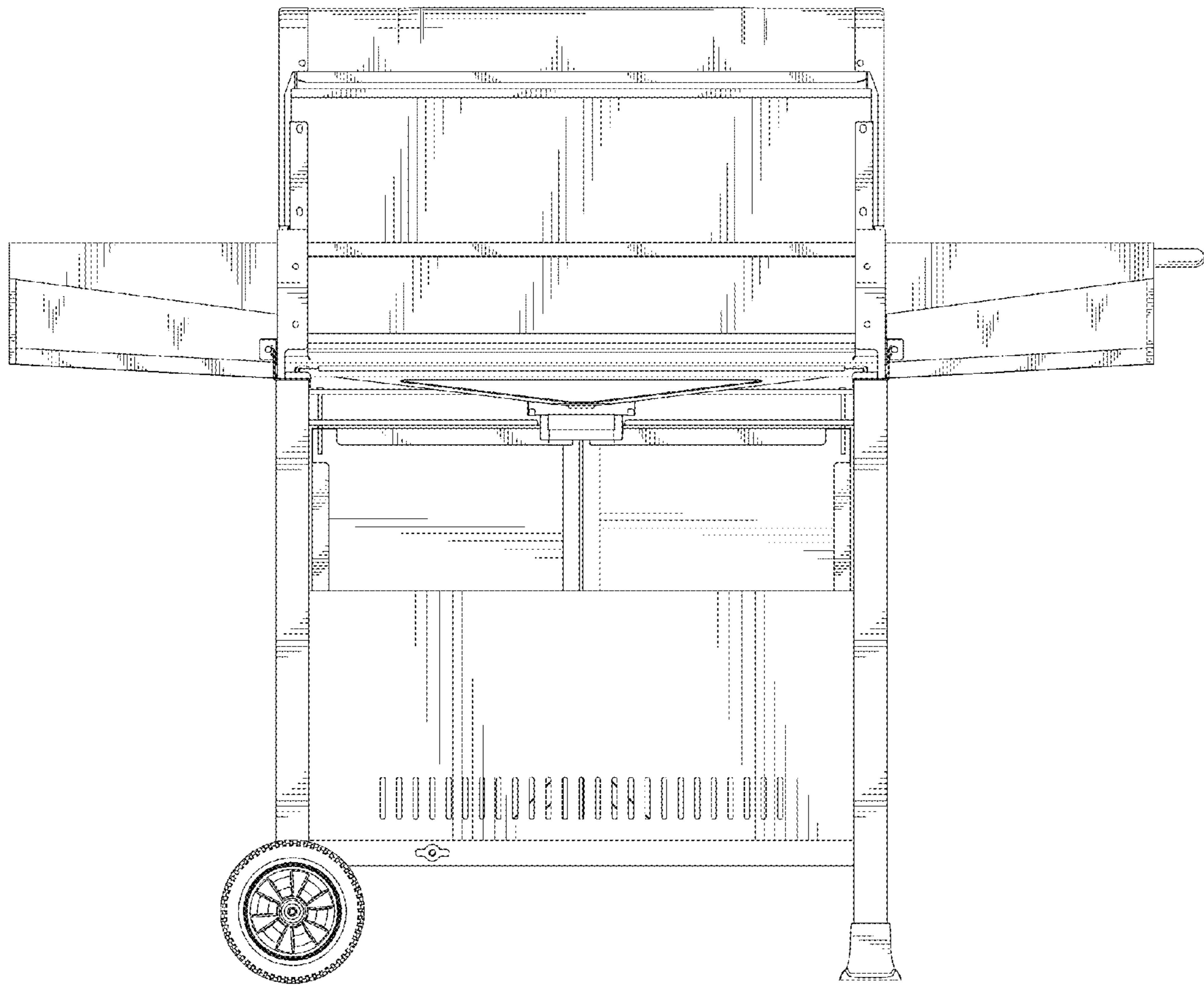


FIG. 3

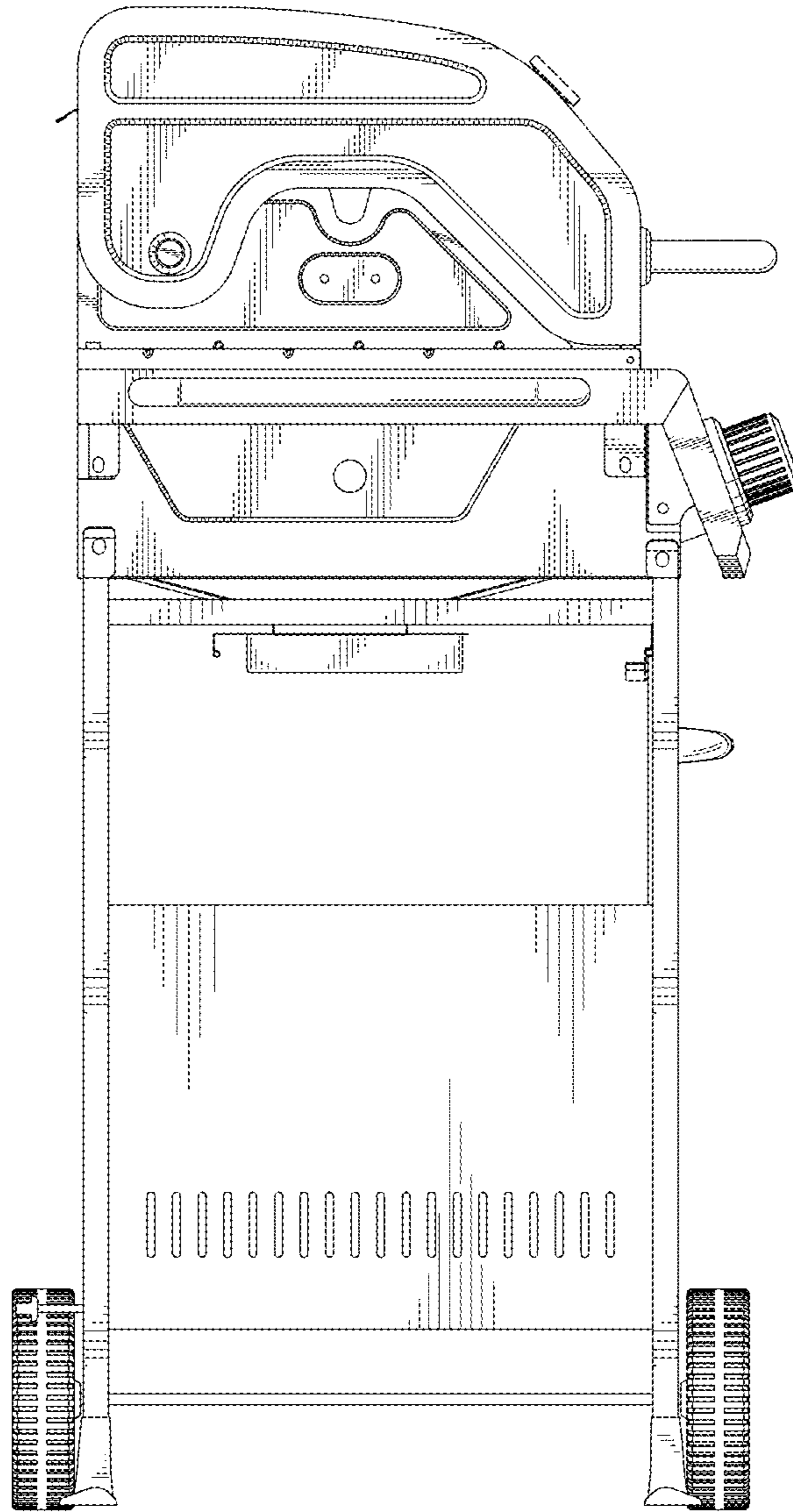


FIG. 4

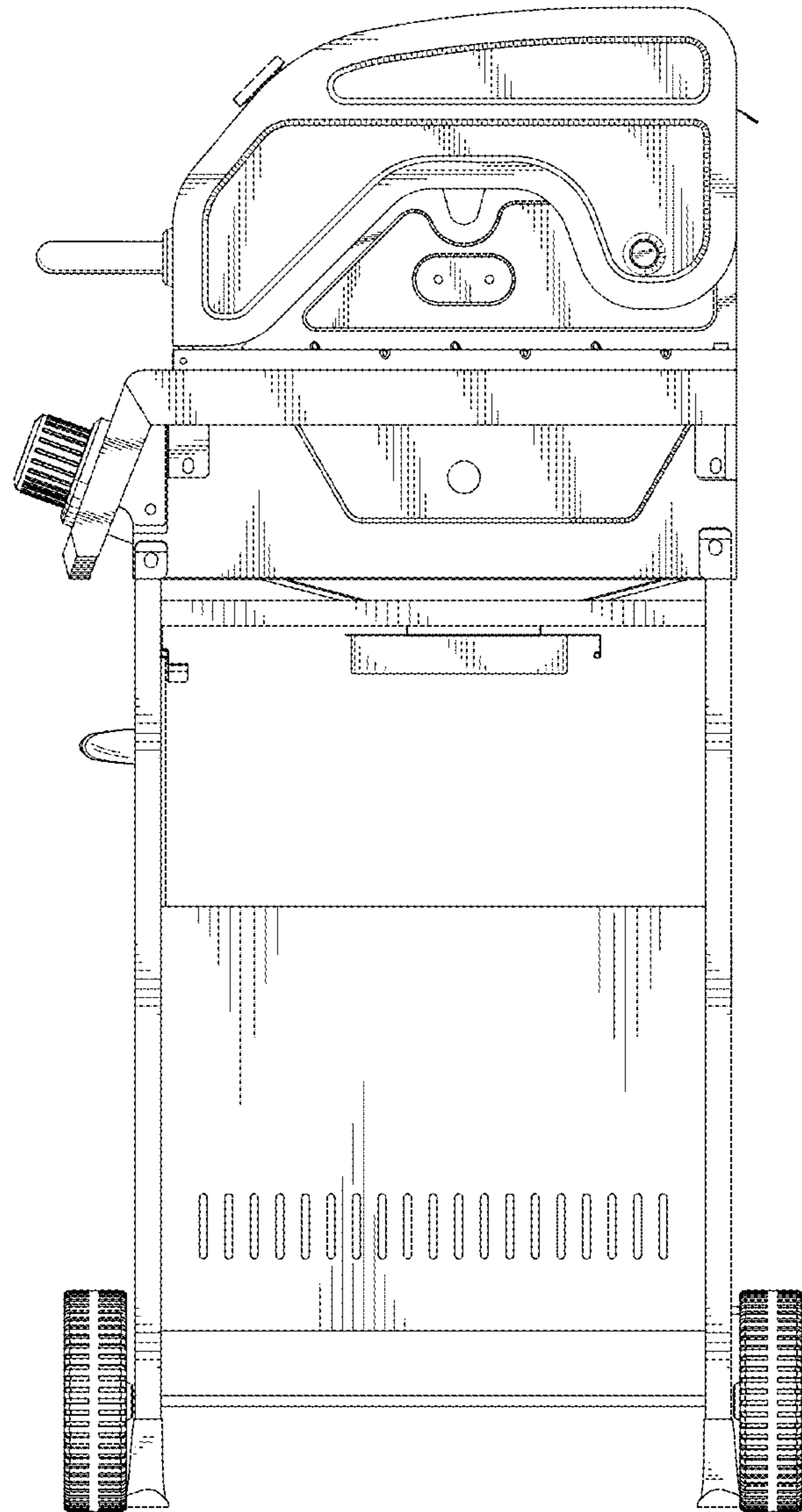


FIG. 5

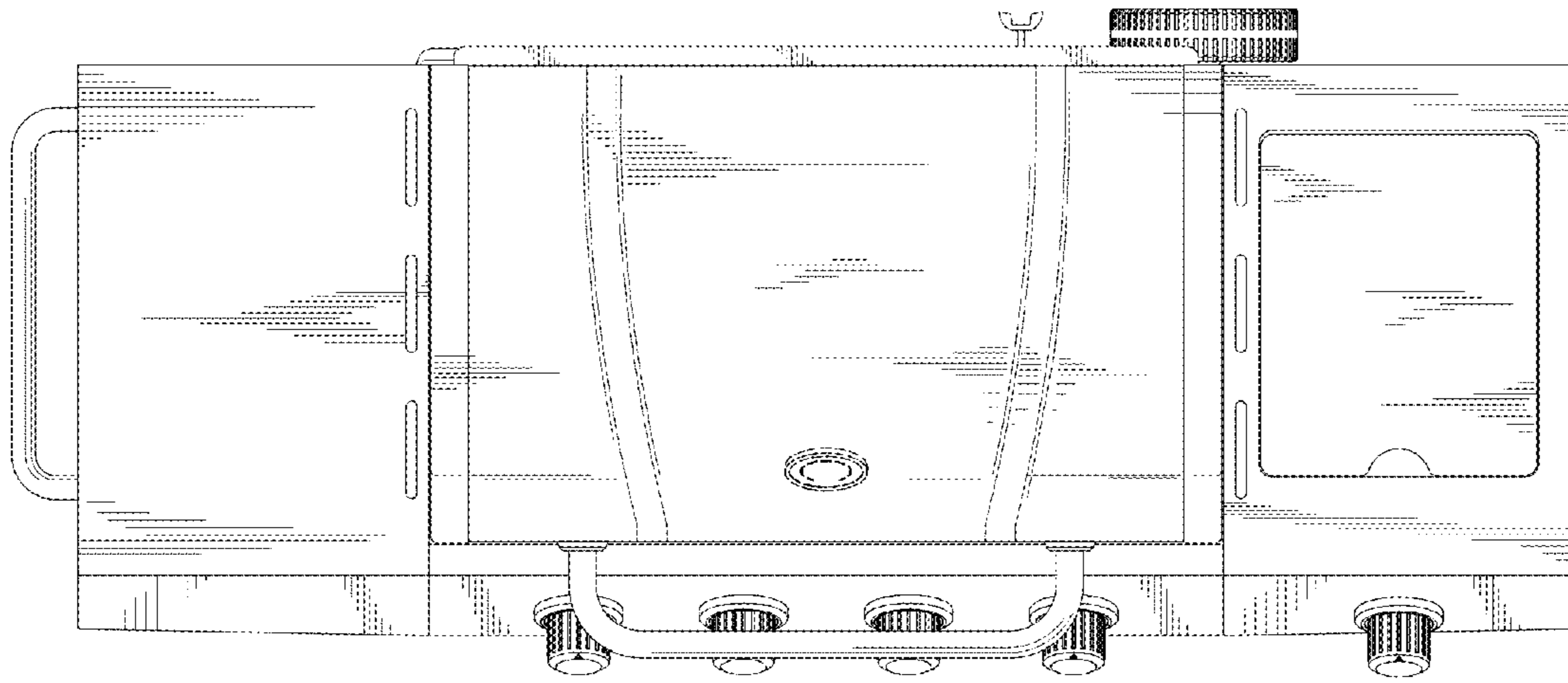


FIG. 6

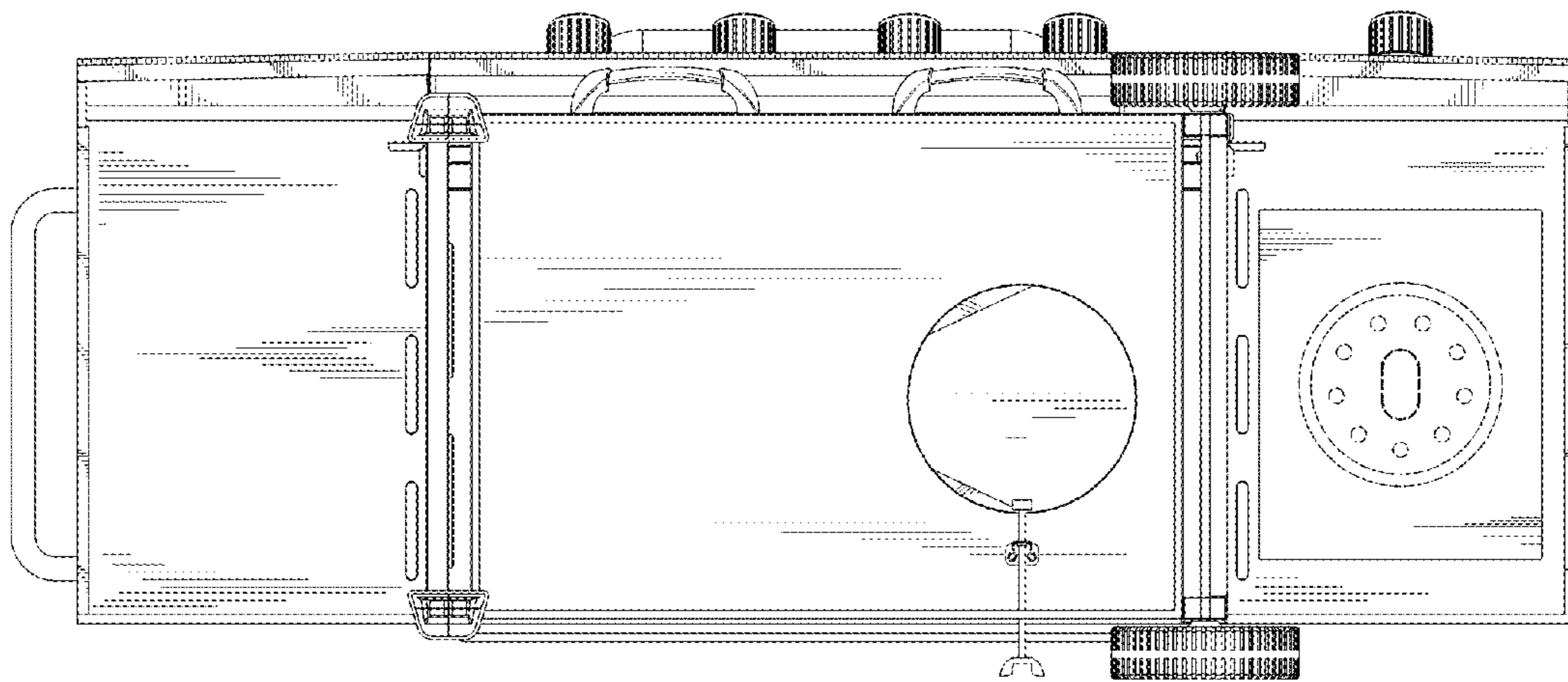


FIG. 7