



US00D731842S

(12) **United States Design Patent**
Brunner et al.

(10) **Patent No.:** **US D731,842 S**
(45) **Date of Patent:** **** Jun. 16, 2015**

(54) **COUNTERTOP ICE AND WATER DISPENSER**

(56) **References Cited**

(71) Applicants: **Roger P. Brunner**, Wind Gap, PA (US);
Steven R. Follett, Bethlehem, PA (US);
Matthew S. Greene, Northampton, PA
(US); **Michael A. Rice**, Bethlehem, PA
(US); **Michael S. Yautz**, Easton, PA
(US); **Robert Hettinger**, Philadelphia,
PA (US)

U.S. PATENT DOCUMENTS

2,779,165	A	1/1957	Pichler et al.
3,080,884	A	3/1963	Nelson et al.
3,341,065	A	9/1967	Schuldt et al.
3,771,560	A	11/1973	Conti et al.
4,123,918	A	11/1978	Kohl et al.
4,248,276	A	2/1981	Gosnell
4,796,441	A	1/1989	Goldstein
D299,900	S *	2/1989	Marotta D7/309

(Continued)

(72) Inventors: **Roger P. Brunner**, Wind Gap, PA (US);
Steven R. Follett, Bethlehem, PA (US);
Matthew S. Greene, Northampton, PA
(US); **Michael A. Rice**, Bethlehem, PA
(US); **Michael S. Yautz**, Easton, PA
(US); **Robert Hettinger**, Philadelphia,
PA (US)

FOREIGN PATENT DOCUMENTS

JP	03260574	11/1991
JP	2002022325	1/2002

(Continued)

(73) Assignee: **Follett Corporation**, Easton, PA (US)

OTHER PUBLICATIONS

(**) Term: **14 Years**

<http://www.quenconline.com/water-cooler-products> Quench 975
May 5, 2012.*

(21) Appl. No.: **29/479,822**

Primary Examiner — Marianne Pandozzi

(22) Filed: **Jan. 21, 2014**

Assistant Examiner — Jae Liang

(74) *Attorney, Agent, or Firm* — Paul & Paul

Related U.S. Application Data

(63) Continuation of application No. 12/544,565, filed on
Aug. 20, 2009, now Pat. No. 8,756,950.

(51) **LOC (10) Cl.** **07-01**

(52) **U.S. Cl.**
USPC **D7/308**; D7/305; D7/311; D7/307

(58) **Field of Classification Search**
USPC D7/300, 300.1, 300.2, 304–318, 326,
D7/397–399, 386; 99/281, 305, 307;
222/146.6, 185.1, 129.1, 129.3, 145.6;
221/10, 96, 104, 124, 126; D14/188,
D14/172; 62/390, 395, 398, 394
CPC A47J 31/44; A47J 31/42
See application file for complete search history.

(57)

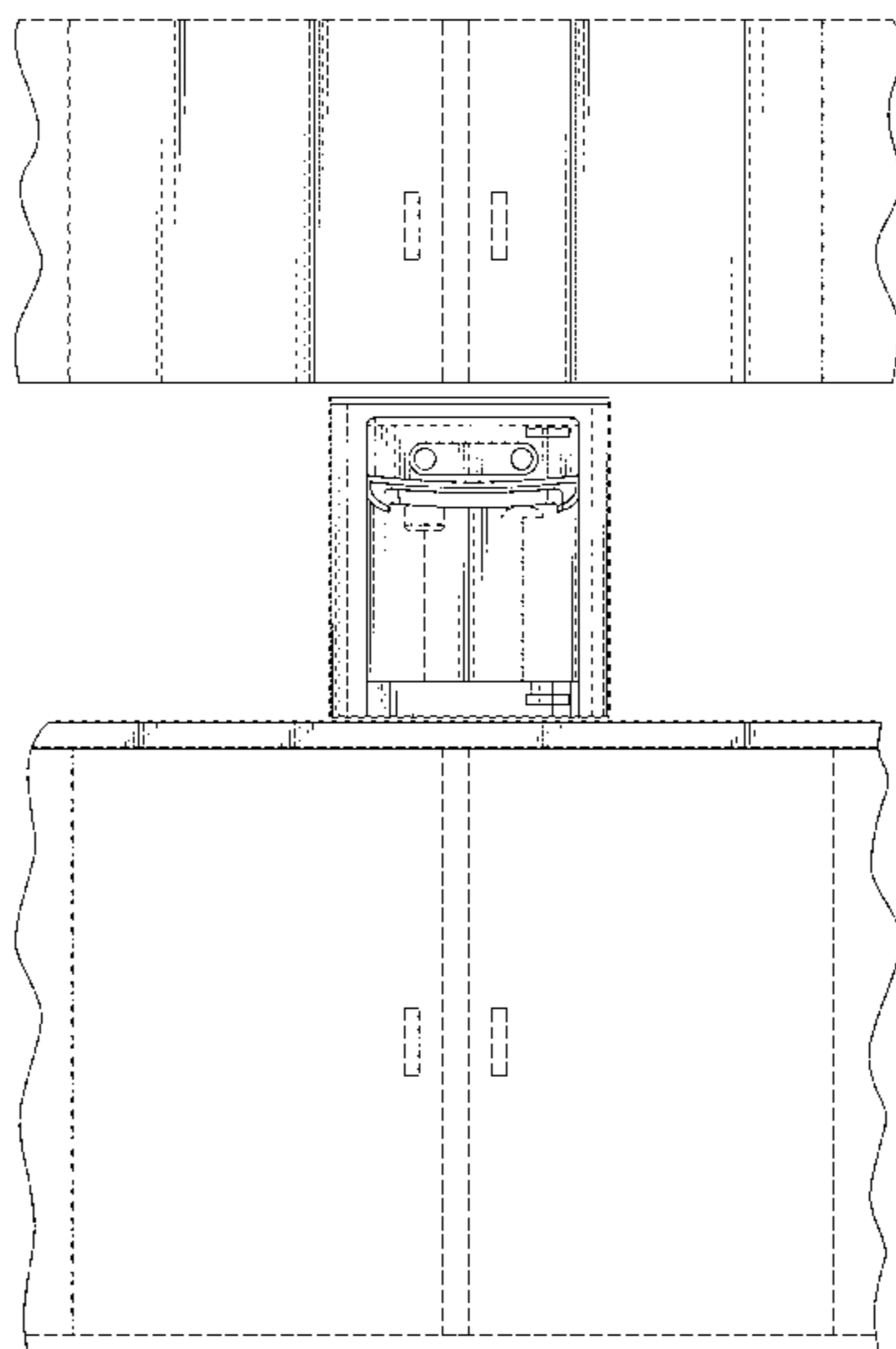
CLAIM

The ornamental design for a countertop ice and water dispenser, as shown and described.

DESCRIPTION

FIG. 1 is a front view of a countertop ice and water dispenser showing our new design; and,
FIG. 2 is an enlarged perspective view thereof with upper cabinet removed for ease of illustration; and,
FIG. 3 is a perspective illustration of the front, top and left side views of the ice and water dispenser of FIGS. 1 and 2.
The broken lines in the drawings are included for the purpose of illustrating environment and form no part of the claimed design.

1 Claim, 3 Drawing Sheets



(56)

References Cited

U.S. PATENT DOCUMENTS

D322,534 S * 12/1991 Chaney D7/306
 5,112,477 A 5/1992 Hamlin
 5,125,242 A 6/1992 Von Blanquet
 D333,405 S 2/1993 Moyer, Jr. et al.
 5,211,030 A 5/1993 Jameson
 5,394,708 A 3/1995 Whinery et al.
 5,542,573 A 8/1996 Frantz
 5,797,514 A 8/1998 Twiggaaar et al.
 5,887,758 A 3/1999 Hawkes et al.
 5,950,866 A 9/1999 Lancaster
 5,987,900 A 11/1999 Love
 D423,861 S * 5/2000 Graffius D7/305
 6,134,908 A 10/2000 Brunner et al.
 6,321,802 B1 11/2001 Weeks et al.
 6,561,691 B1 5/2003 McCann et al.
 6,591,877 B1 * 7/2003 Graffius 141/360
 6,685,053 B2 2/2004 Hawkes et al.
 D499,599 S * 12/2004 Morrison D7/309
 6,860,408 B2 3/2005 Hawkes et al.
 D510,674 S * 10/2005 Smith et al. D7/306
 D510,675 S * 10/2005 Ball D7/306
 6,952,935 B2 10/2005 Vorosmarti et al.
 D515,348 S * 2/2006 McWilliam D7/309
 D524,588 S * 7/2006 Copland D7/309
 7,096,686 B2 8/2006 Brunner et al.
 7,137,271 B2 11/2006 Hawkes et al.
 7,263,844 B2 9/2007 Brunner et al.
 D551,901 S * 10/2007 Hulett et al. D7/399

D554,930 S * 11/2007 Lavy D7/307
 D556,494 S * 12/2007 Adachi et al. D7/308
 7,322,201 B2 1/2008 Brunner et al.
 D568,913 S * 5/2008 Suh et al. D15/89
 7,415,834 B2 * 8/2008 Marret et al. 62/177
 7,426,838 B1 9/2008 Shapiro et al.
 D581,716 S * 12/2008 Harris, III D7/307
 7,469,548 B2 12/2008 Brunner et al.
 7,469,552 B2 12/2008 Brunner et al.
 D589,988 S * 4/2009 Martin et al. D15/89
 D600,062 S * 9/2009 Lavy D7/309
 D613,112 S * 4/2010 Lippert et al. D7/397
 D622,533 S * 8/2010 Gross et al. D7/301
 D627,186 S * 11/2010 Romandy D7/306
 D640,083 S * 6/2011 Davenport D7/309
 D642,851 S * 8/2011 Yui D7/307
 D652,244 S * 1/2012 Richardson et al. D7/307
 D696,350 S * 12/2013 d'Amore et al. D20/1
 D706,567 S * 6/2014 Strayle D7/309
 2006/0277928 A1 12/2006 McDougal et al.
 2006/0277937 A1 12/2006 Schlosser et al.
 2008/0011000 A1 1/2008 Brunner et al.
 2008/0022711 A1 1/2008 Brunner et al.
 2008/0196422 A1 8/2008 Lee et al.
 2009/0241782 A1 * 10/2009 Van Dillen et al. 99/279

FOREIGN PATENT DOCUMENTS

JP 2006242453 9/2006
 JP 2006308129 11/2006

* cited by examiner

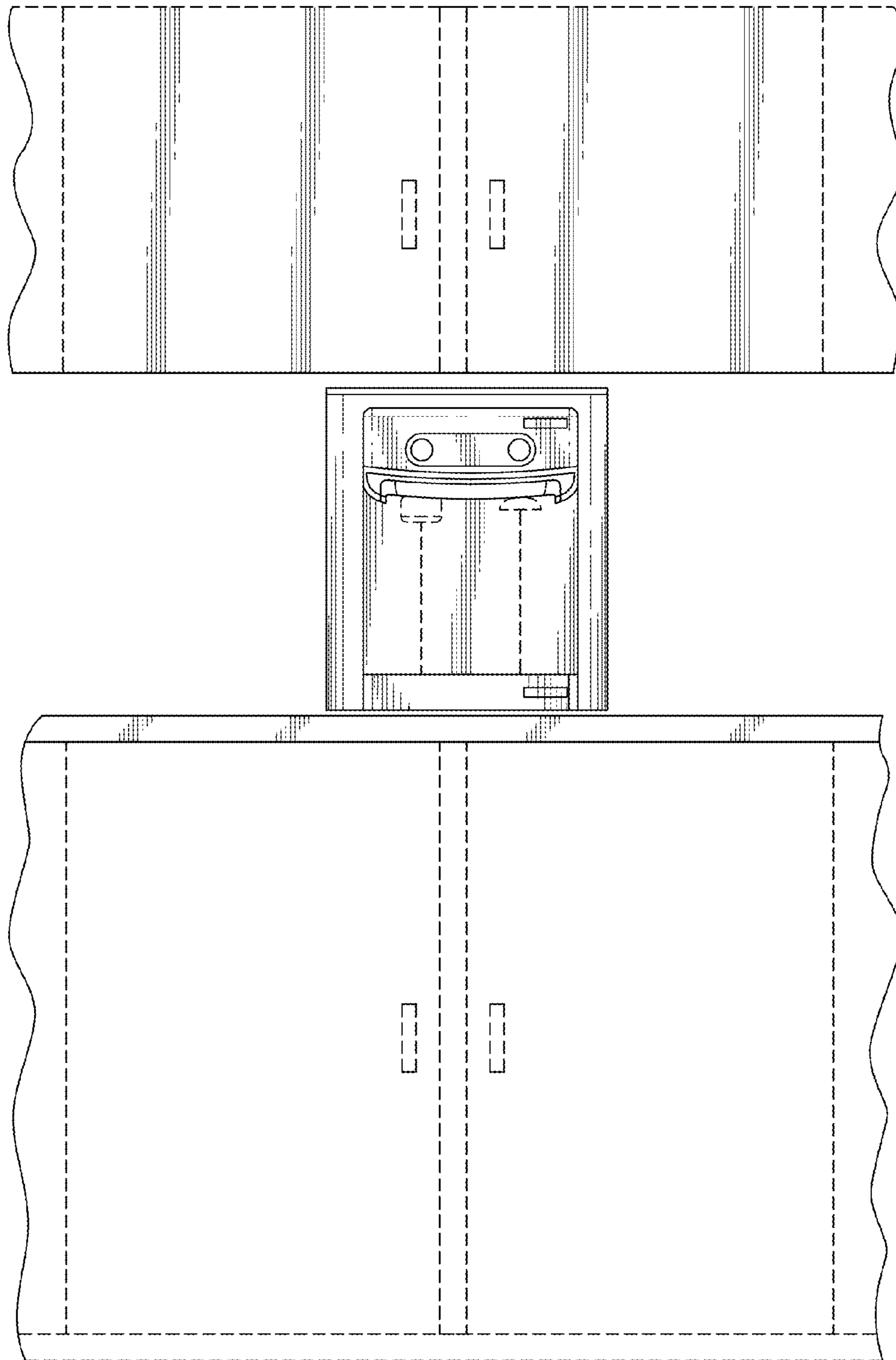


FIG. 1

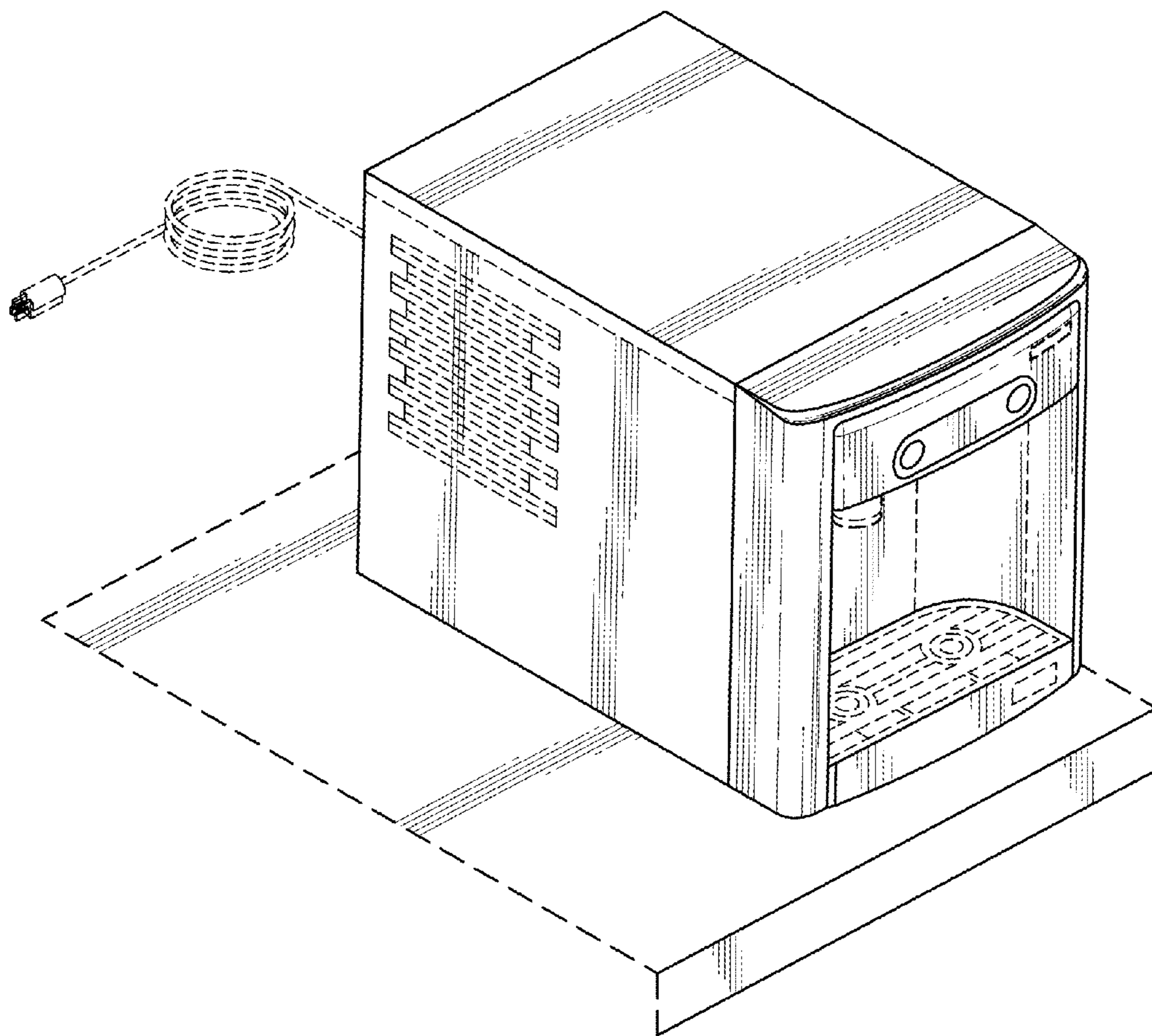


FIG. 2

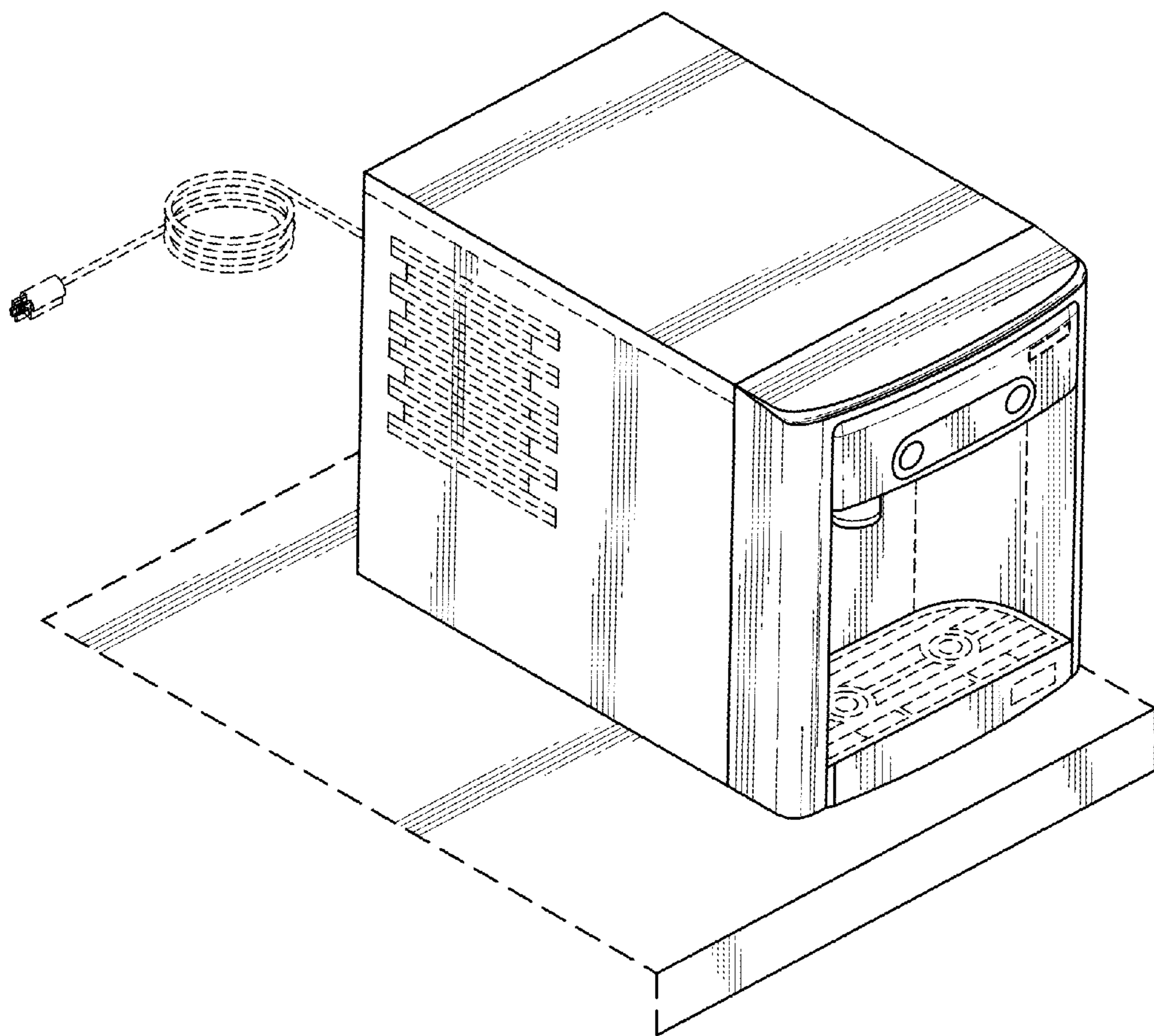


FIG. 3