



US00D731841S

(12) **United States Design Patent**  
**Cha et al.**

(10) **Patent No.:** **US D731,841 S**  
(45) **Date of Patent:** **\*\* Jun. 16, 2015**

(54) **BEVERAGE DISPENSER**

(56) **References Cited**

(71) Applicant: **The Coca-Cola Company**, Atlanta, GA (US)

U.S. PATENT DOCUMENTS

(72) Inventors: **Jae Ho Cha**, Woodstock, GA (US); **Kris Tomasson**, Atlanta, GA (US); **David Harvey**, Suwanee, GA (US); **Daniel S. Quartarone**, Atlanta, GA (US); **Simon Alan Daniel**, London (GB); **Christopher Michael Weston**, London (GB); **Robert Christopher Young**, London (GB); **Siriphong Roongruengvuthikul**, London (GB)

D300,105	S	*	3/1989	Klein	.....	D7/309
5,249,710	A	*	10/1993	Hassell et al.	.....	222/146.6
D383,350	S	*	9/1997	Leibovic	.....	D7/309
D401,803	S	*	12/1998	Alferink	.....	D7/307
D407,260	S	*	3/1999	Martindale	.....	D7/306
D450,974	S	*	11/2001	Scullion et al.	.....	D7/306
D546,922	S	*	7/2007	Demmer et al.	.....	D23/238
D635,645	S	*	4/2011	Rubin et al.	.....	D23/238
D646,105	S	*	10/2011	Deo et al.	.....	D7/306
D691,205	S	*	10/2013	d'Amore et al.	.....	D20/1
8,695,854	B2	*	4/2014	Hartley et al.	.....	222/185.1
D713,682	S	*	9/2014	Morse	.....	D7/397

\* cited by examiner

(73) Assignee: **THE COCA-COLA COMPANY**, Atlanta, GA (US)

*Primary Examiner* — Marianne Pandozzi

(74) *Attorney, Agent, or Firm* — McAndrews Held & Malloy, Ltd.

(\*\*) Term: **14 Years**

(57) **CLAIM**

The ornamental design for a beverage dispenser, as shown and described.

(21) Appl. No.: **29/491,087**

**DESCRIPTION**

(22) Filed: **May 16, 2014**

FIG. 1 is a front left perspective view of a beverage dispenser showing our new design;

(51) **LOC (10) Cl.** ..... **07-01**

FIG. 2 is a front right perspective view thereof;

(52) **U.S. Cl.**

FIG. 3 is a front elevation view thereof;

USPC ..... **D7/306**; D7/311

FIG. 4 is a rear elevation view thereof;

(58) **Field of Classification Search**

USPC ..... D7/306-311, 305, 300, 313; 99/279,

FIG. 5 is a left-side elevation view thereof;

99/284, 290, 280, 299, 307, 323.1;

FIG. 6 is a right-side elevation view thereof;

222/23, 129.1; 62/395; D20/1;

FIG. 7 is a top plan view thereof; and,

D23/238

FIG. 8 is a bottom plan view thereof.

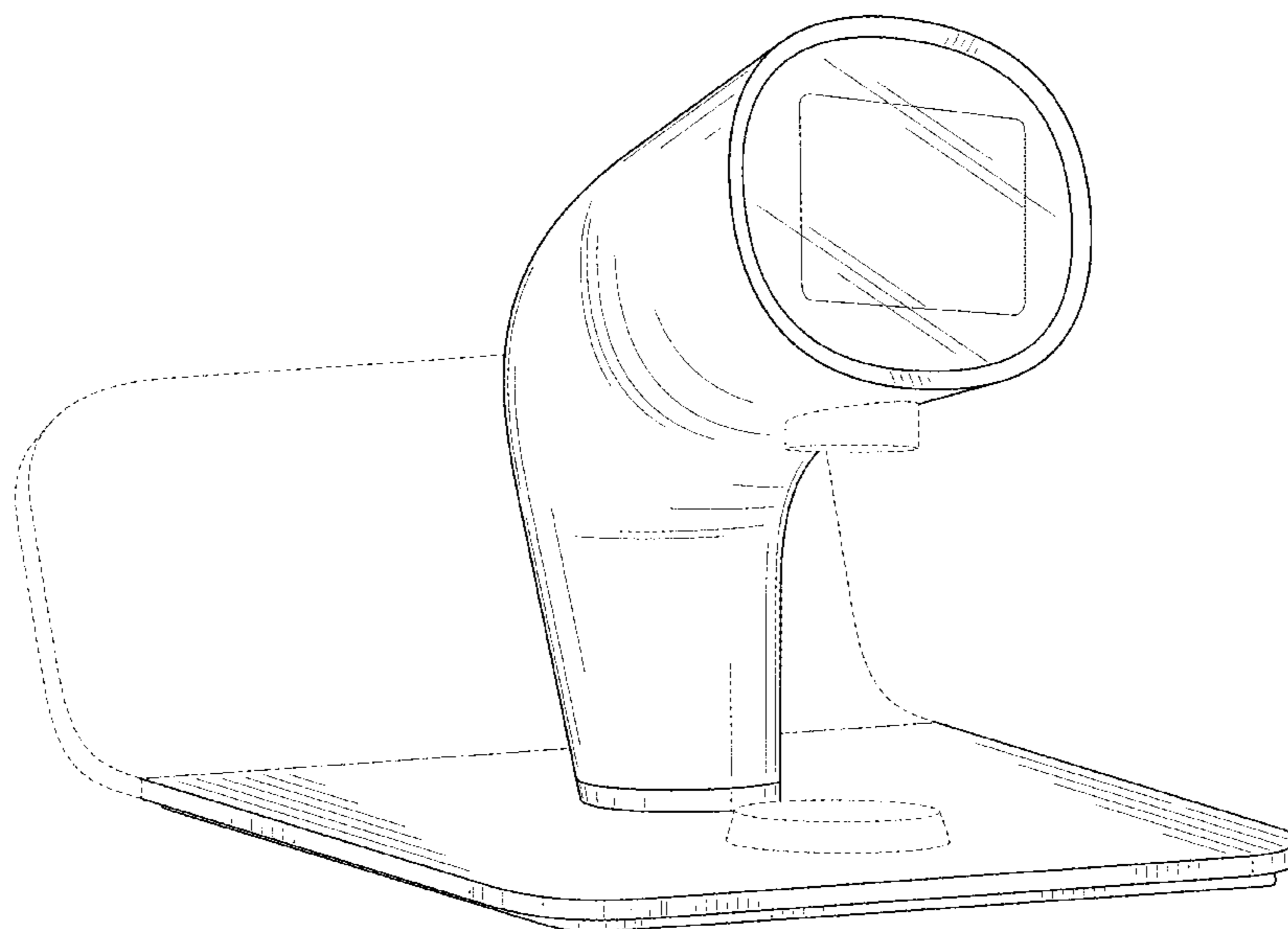
CPC ..... A47J 31/44; B67D 1/0041; B67D 3/00

The even length dashed broken lines are for environmental purposes only and form no part of the claimed design.

See application file for complete search history.

The uneven length dot-dash broken lines represent an unclaimed boundary line and form no part of the claimed design.

**1 Claim, 8 Drawing Sheets**



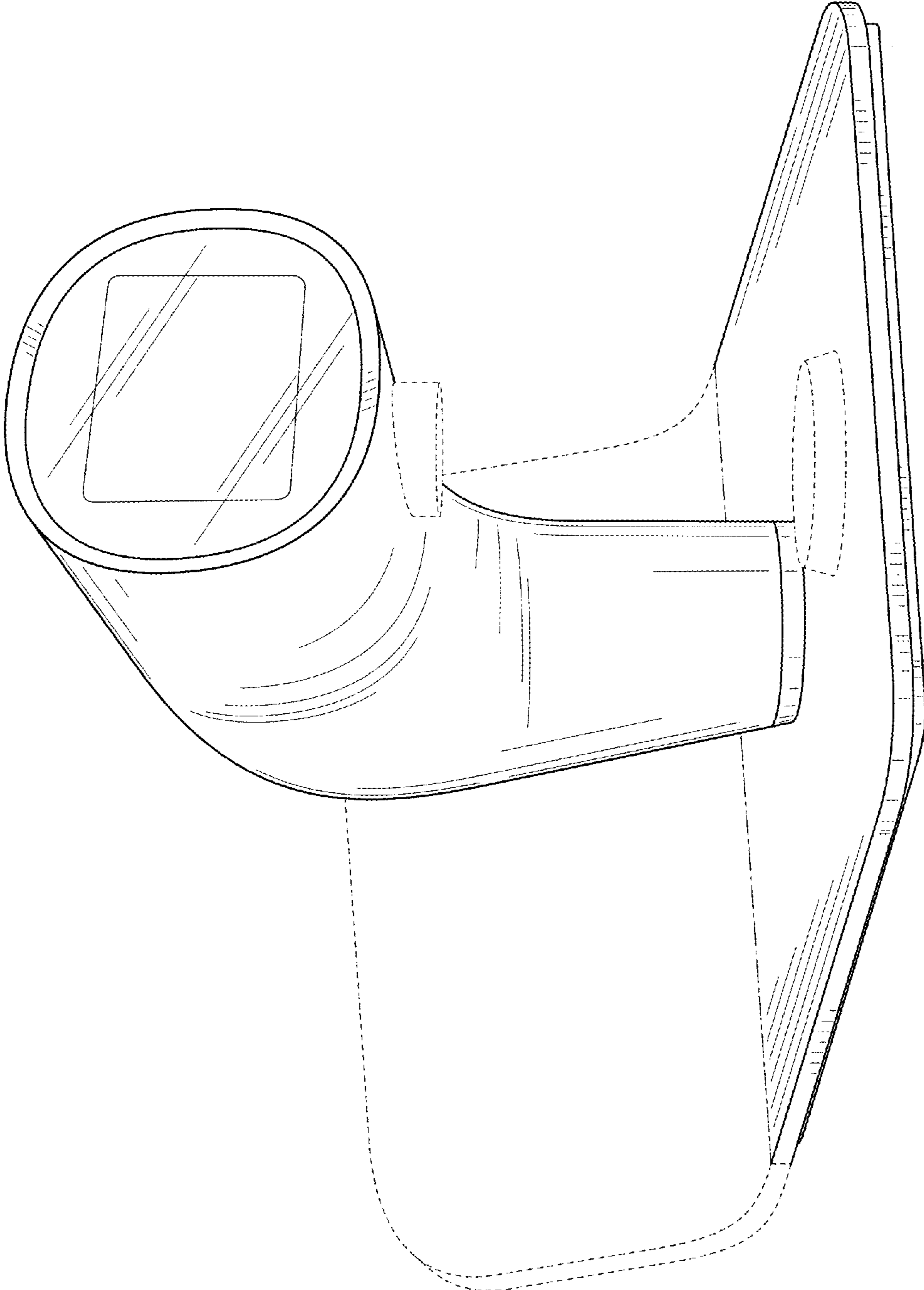


FIG. 1

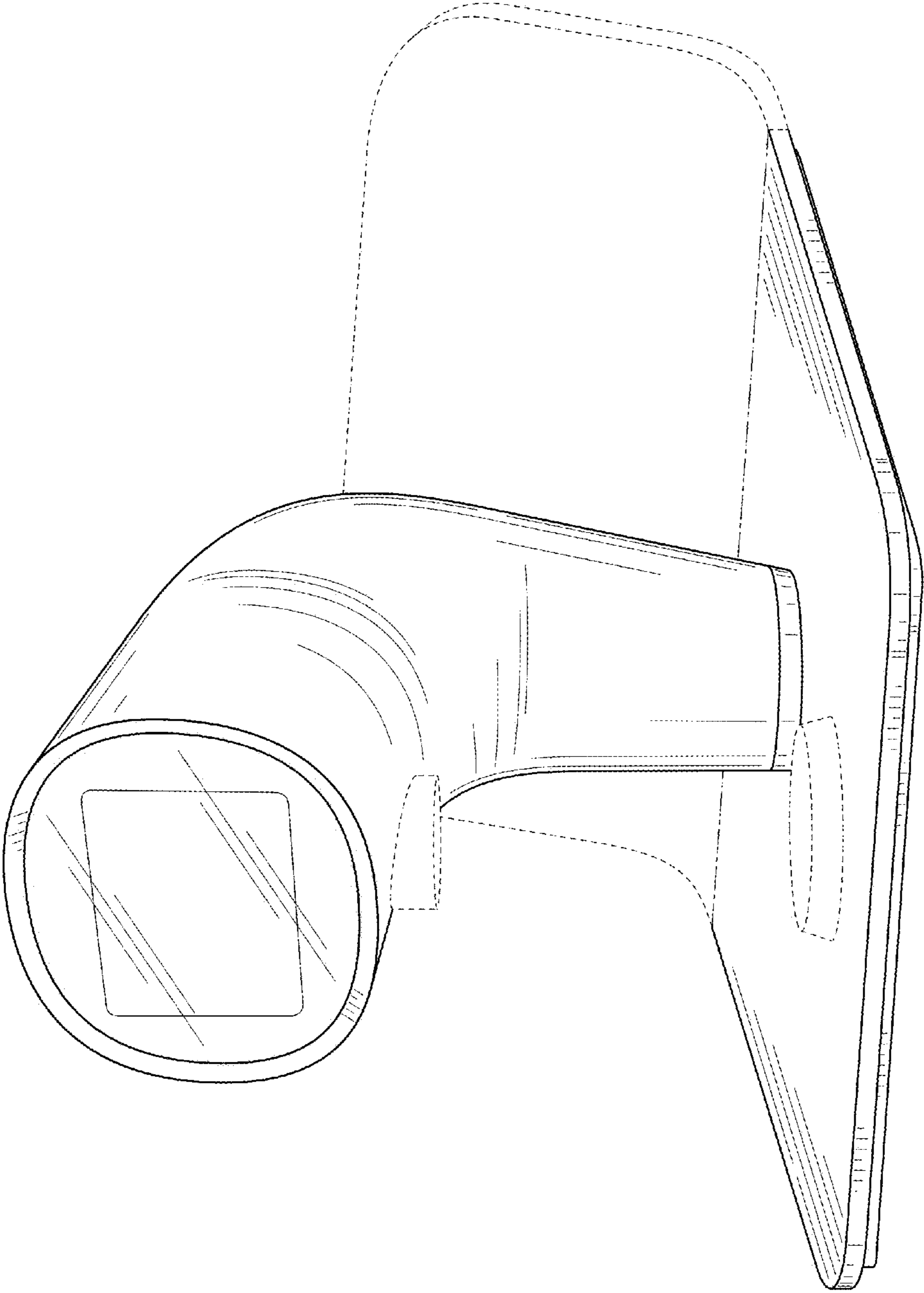


FIG. 2

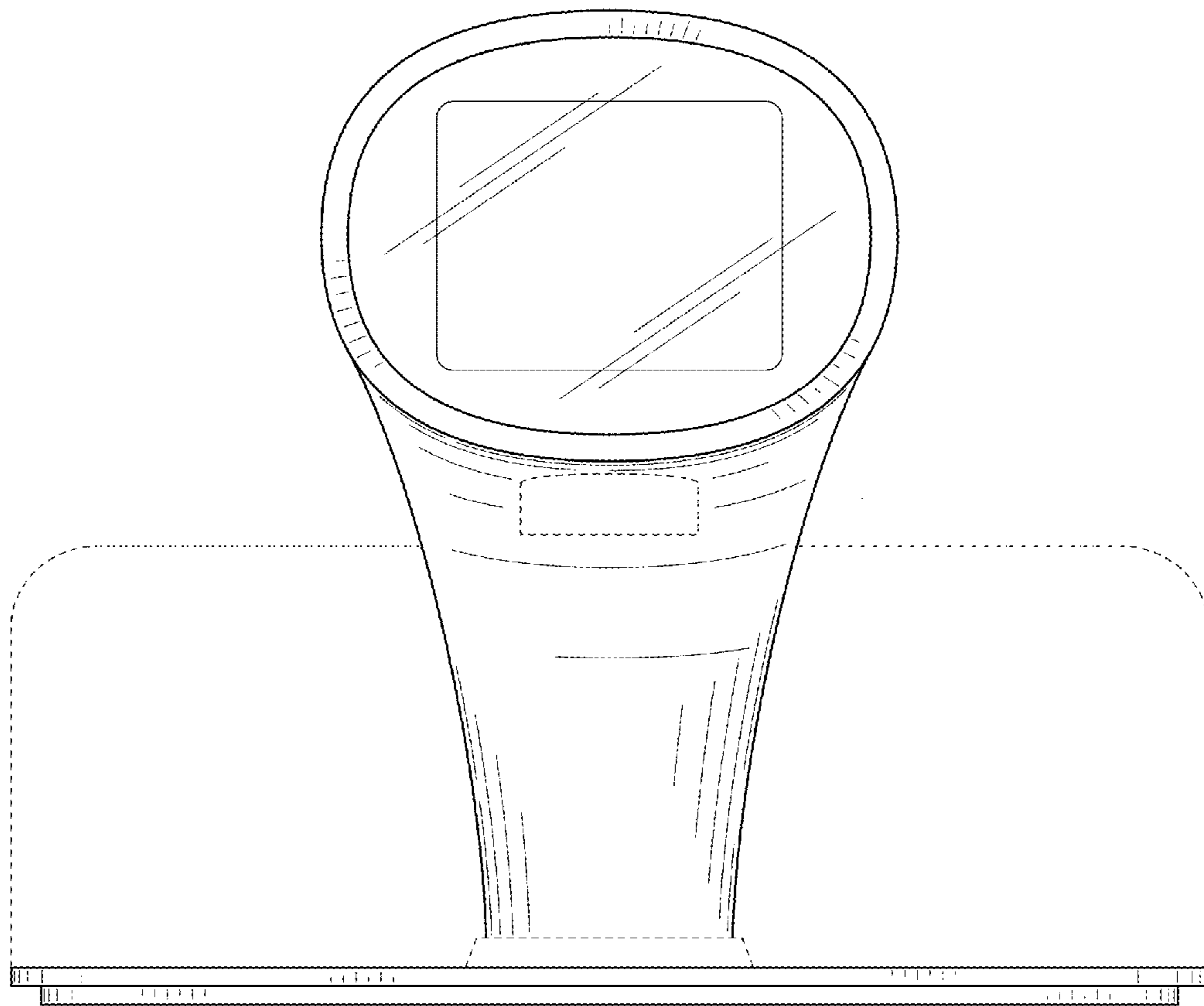


FIG. 3

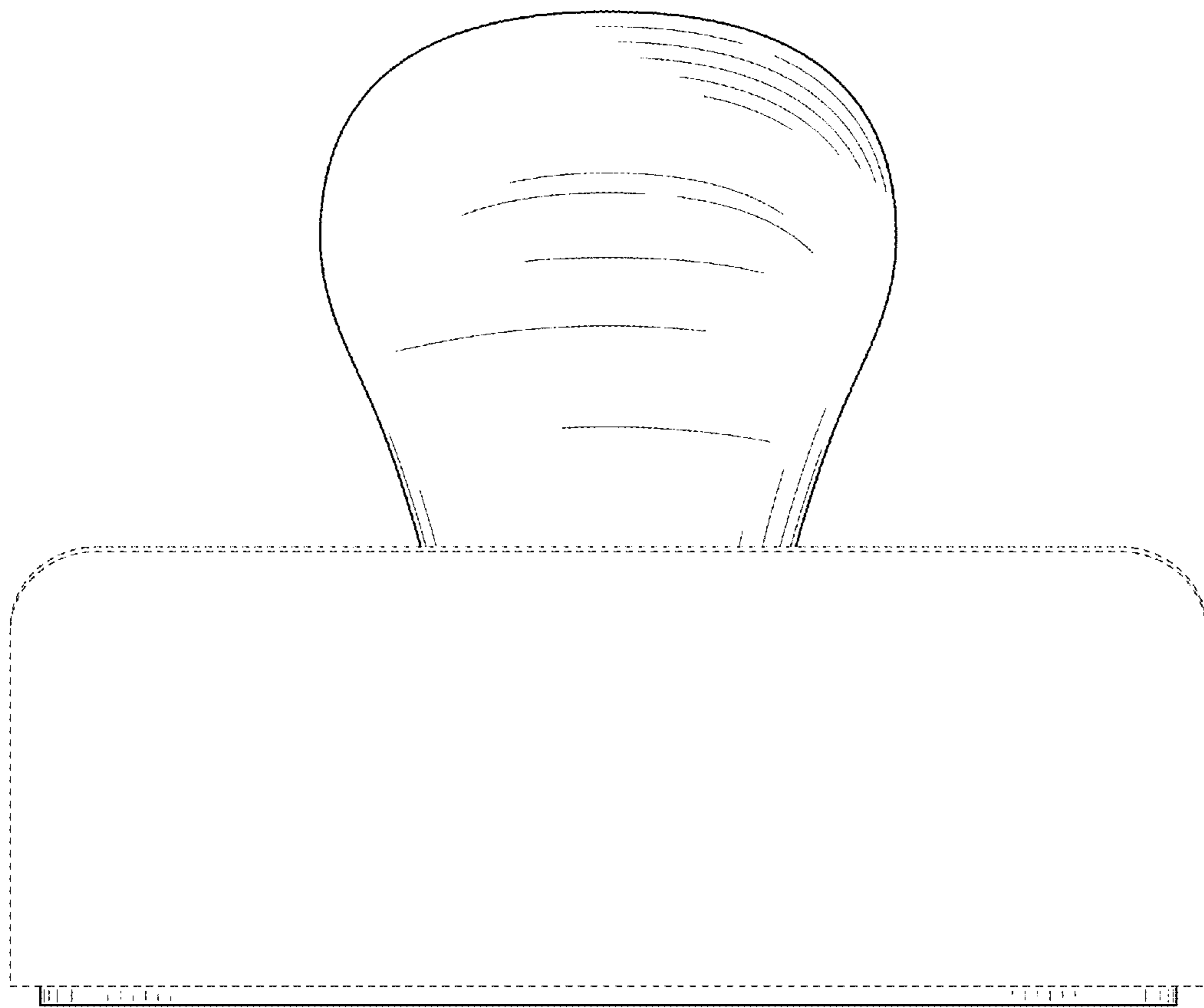


FIG. 4

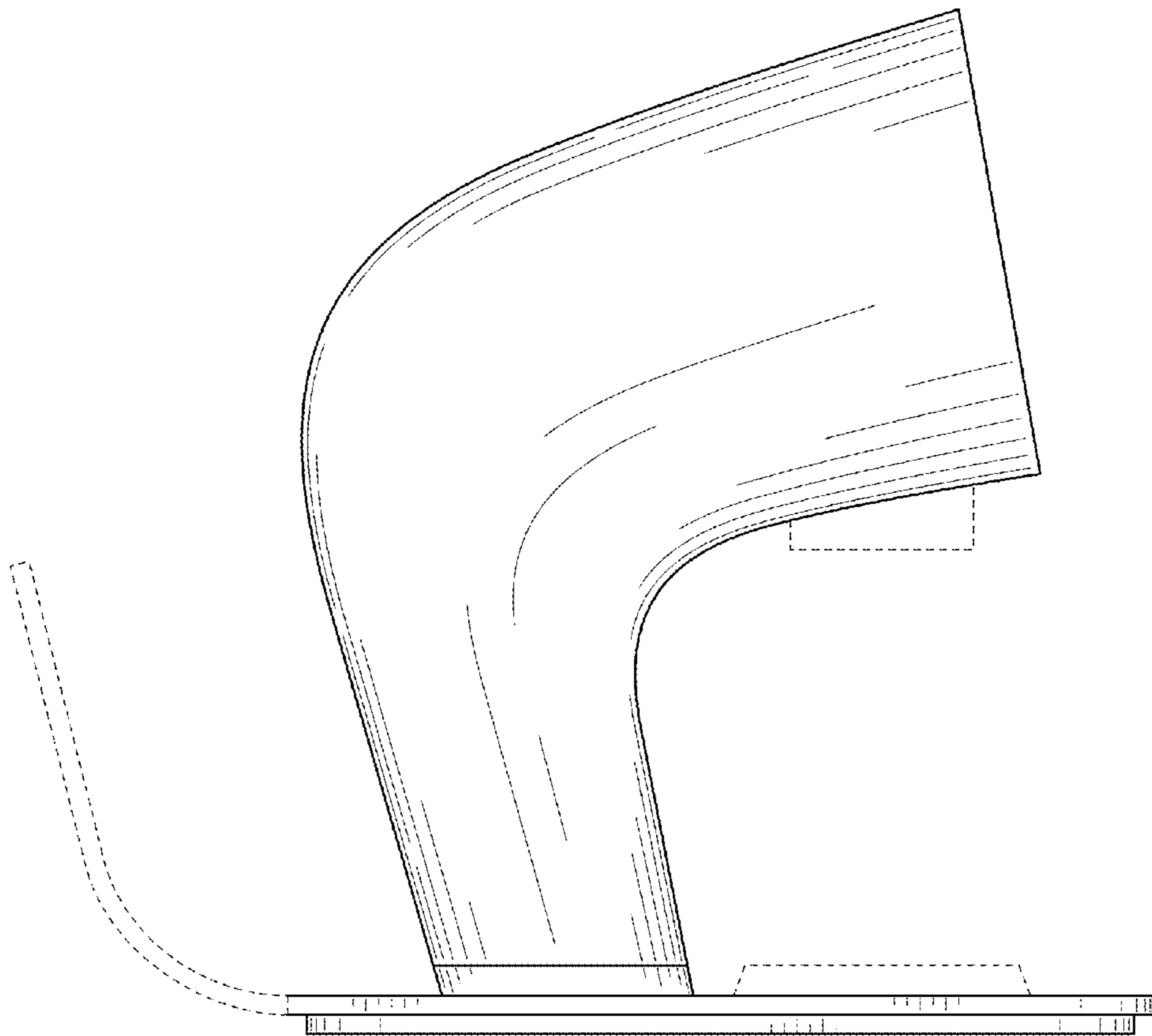


FIG. 5

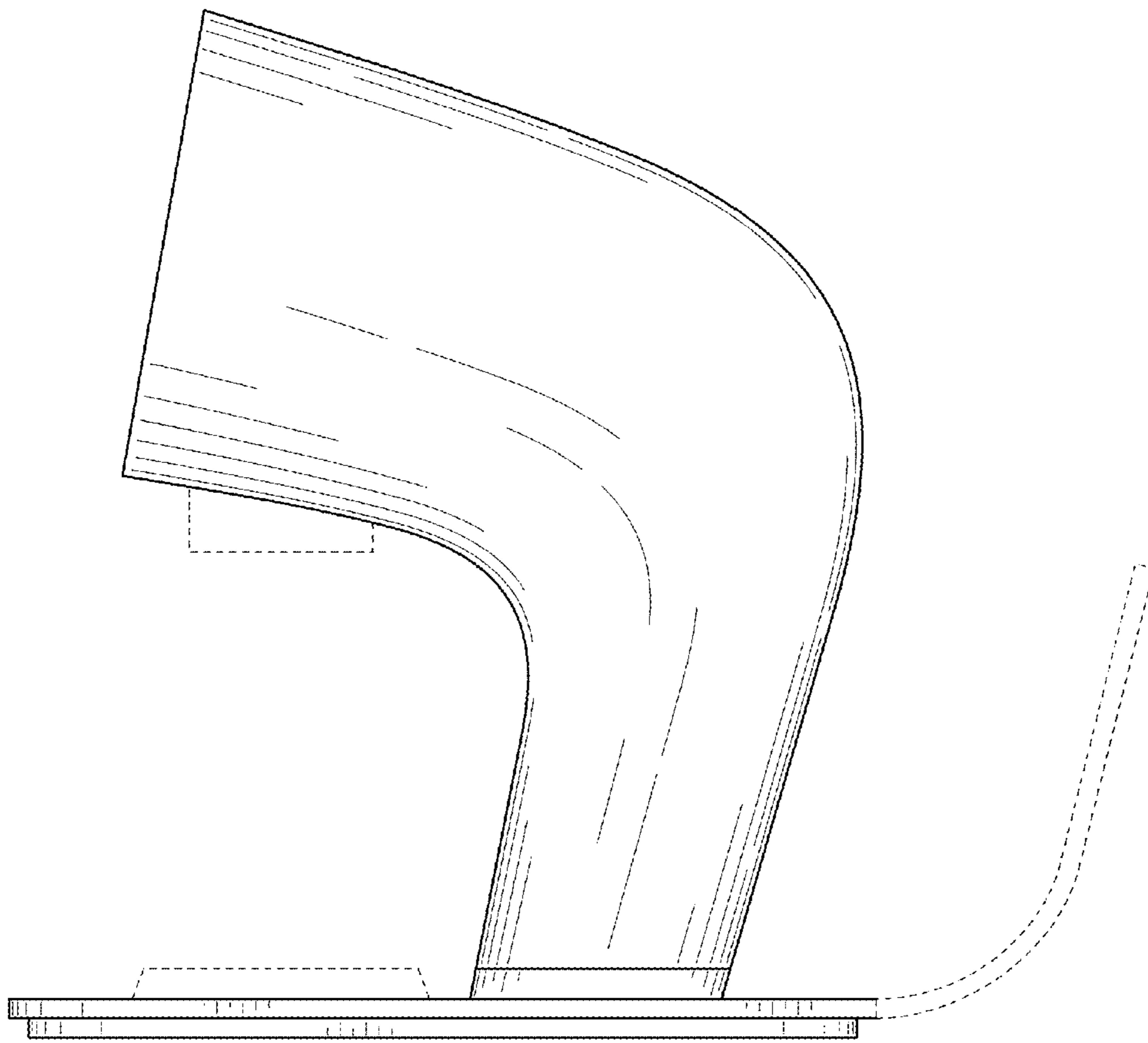


FIG. 6



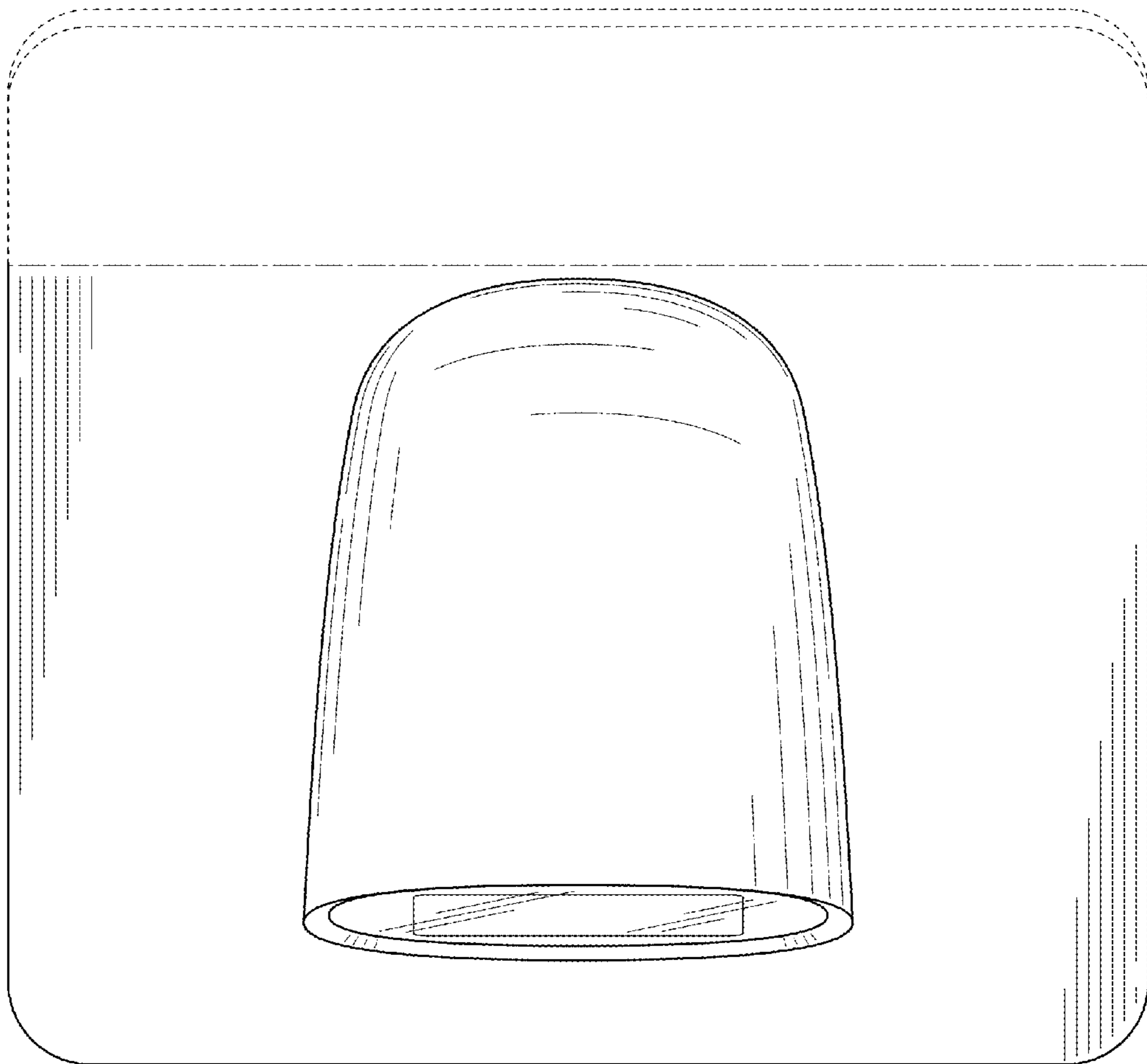
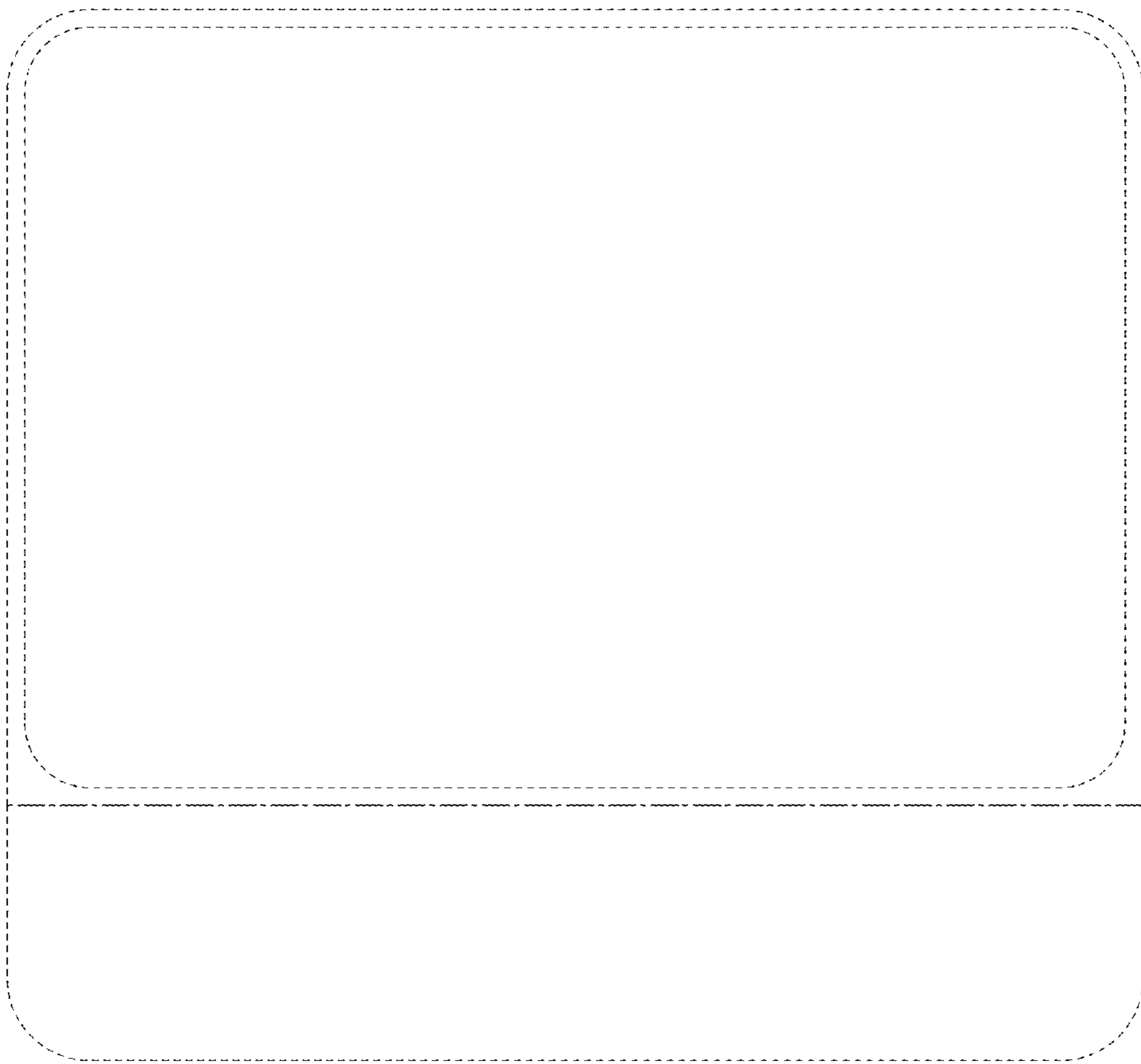


FIG. 7





**FIG. 8**