



US00D731834S

(12) **United States Design Patent**
Francis

(10) **Patent No.:** **US D731,834 S**
(45) **Date of Patent:** **** Jun. 16, 2015**

(54) **SEAT FRAME END**
(71) Applicant: **biljax inc.**, Archbold, OH (US)
(72) Inventor: **Einstein B. Francis**, Archbold, OH (US)
(73) Assignee: **biljax, inc.**, Archbold, OH (US)
(**) Term: **14 Years**
(21) Appl. No.: **29/484,404**

D235,298 S * 6/1975 Schuyler D6/492
4,133,579 A * 1/1979 Springfield 297/452.65
4,631,874 A * 12/1986 Griffin, Jr. 52/8
4,790,594 A * 12/1988 Temos 297/248
D370,791 S * 6/1996 Yamazaki D6/368
D407,584 S * 4/1999 Haney et al. D6/500
D446,035 S * 8/2001 Haney D6/368
7,267,403 B2 9/2007 Conner
D567,519 S * 4/2008 Lucci et al. D6/336
7,722,117 B2 5/2010 Jones
D638,634 S * 5/2011 Figueras Mitjans D6/364
D681,969 S * 5/2013 Mitjans D6/364
2012/0117781 A1 5/2012 Jones

(22) Filed: **Mar. 10, 2014**
(51) **LOC (10) Cl.** **06-01**
(52) **U.S. Cl.**
USPC **D6/717**
(58) **Field of Classification Search**
USPC D6/334-336, 370-381, 716,
D6/716.1-716.4, 717; 52/8, 9; 297/248,
297/411.41, 411.42, 445.1, 446.1, 448.2,
297/452.63, 452.65
CPC A47C 1/12; A47C 4/03; A47C 5/06;
A47C 5/12; A47C 7/16; A47C 11/00; A47C
15/002; E04H 3/12
See application file for complete search history.

* cited by examiner

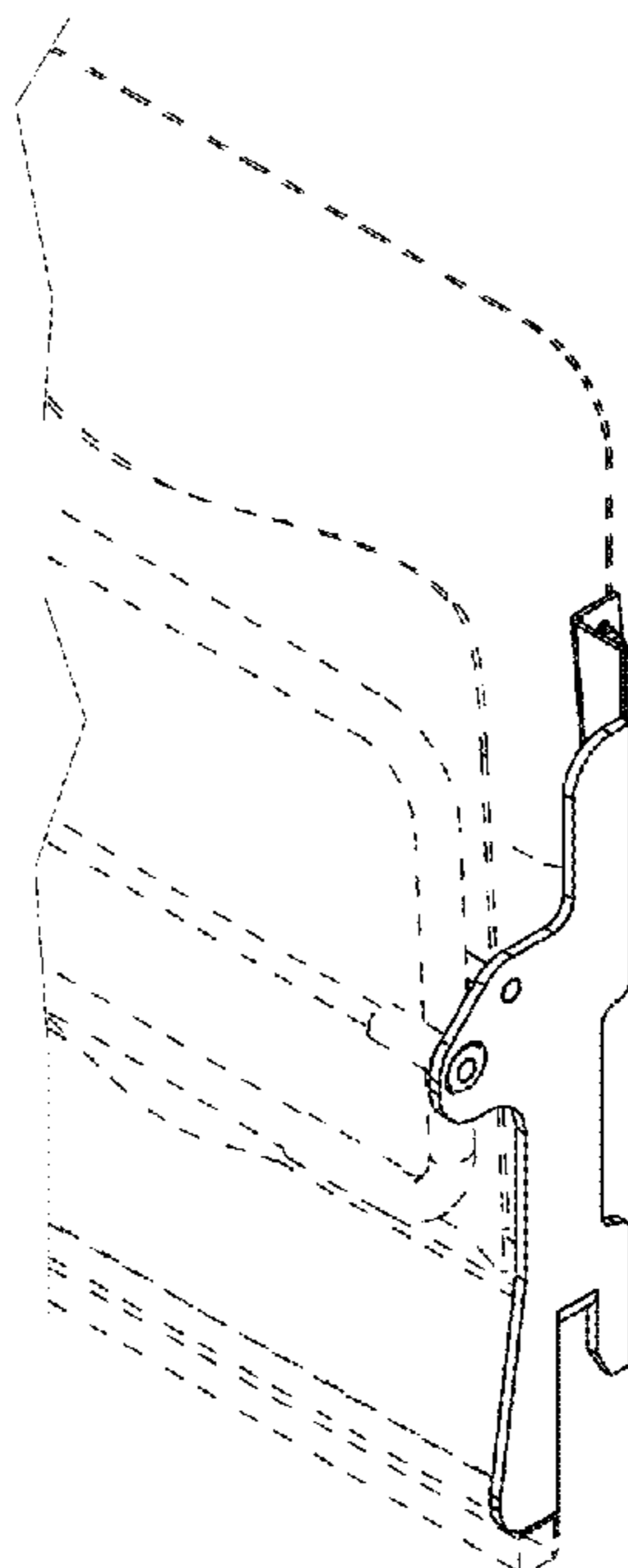
Primary Examiner — Ricky Pham
(74) *Attorney, Agent, or Firm* — Emch, Schaffer, Schaub & Porcello Co. LPA

(56) **References Cited**
U.S. PATENT DOCUMENTS
2,985,924 A 5/1961 Burke
D192,245 S * 2/1962 Williams D6/492
D225,494 S * 12/1972 Ahrens D6/362
D228,104 S * 8/1973 Blodee D6/368

(57) **CLAIM**
The ornamental design for a seat frame end, as shown and described.

DESCRIPTION
FIG. 1 is a top view of a seat frame end in accordance with the invention;
FIG. 2 is a side elevation view thereof;
FIG. 3 is a front elevation view thereof;
FIG. 4 is a top of the view of FIG. 1 attached to a seat frame; and,
FIG. 5 is a perspective view of FIG. 1 attached to a seat.
The broken lines depict environmental subject matter only and form no part of the claimed design.

1 Claim, 5 Drawing Sheets



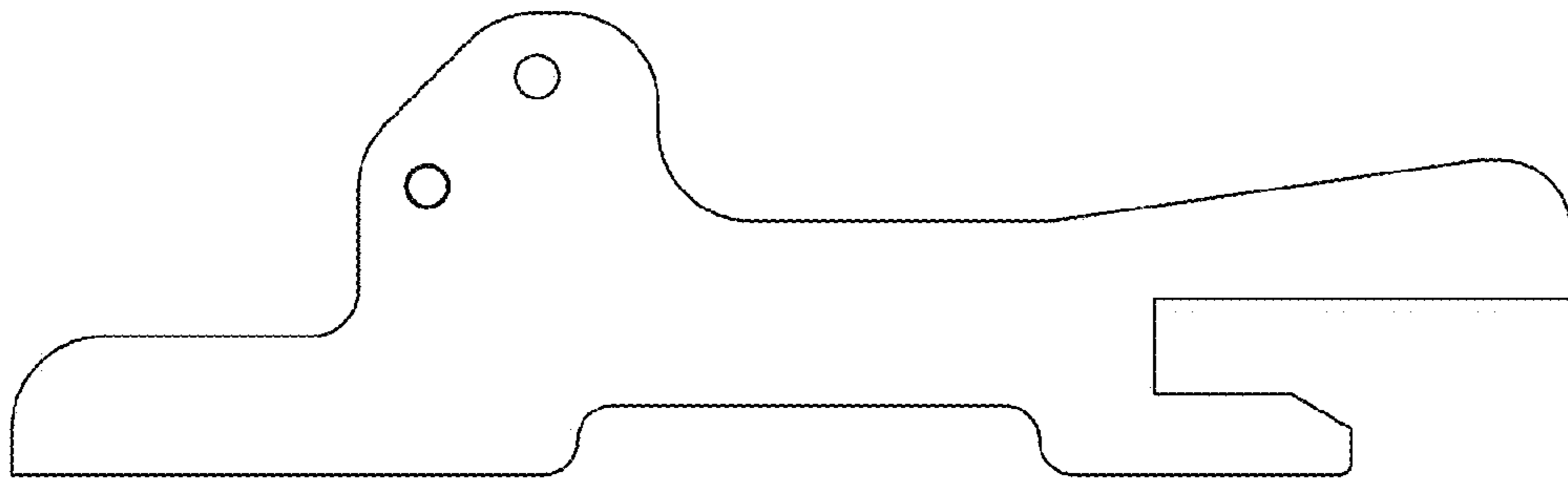


FIG 1

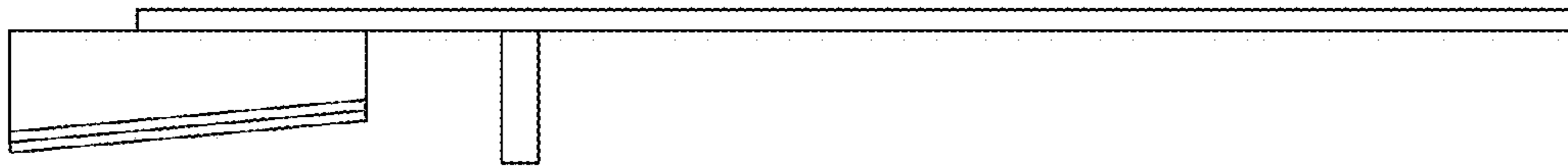


FIG 2

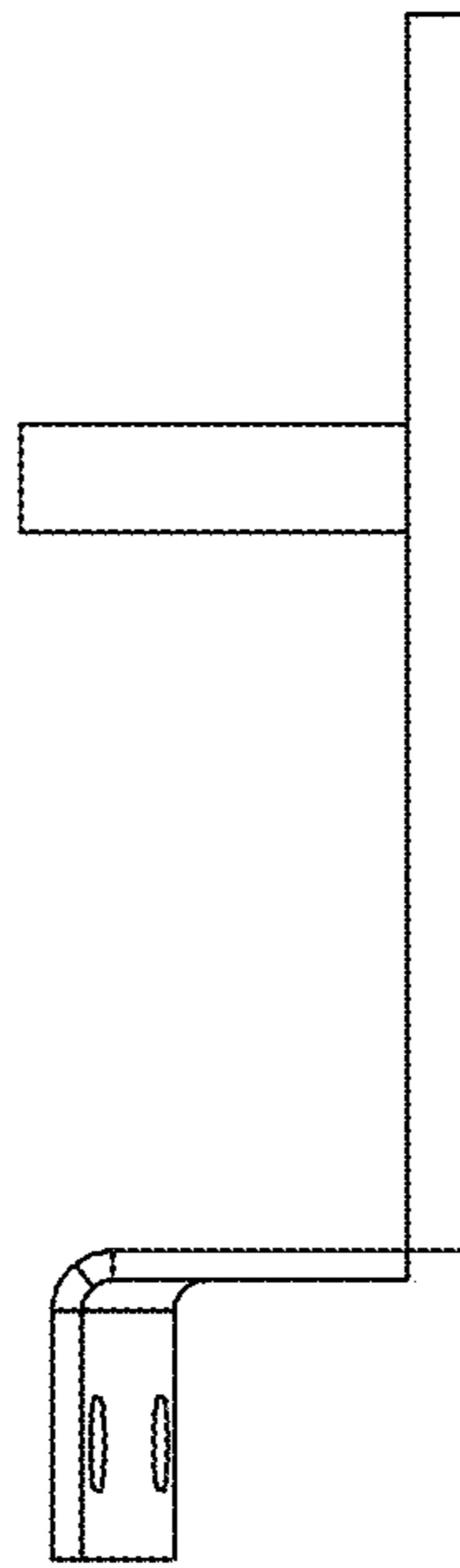


FIG 3

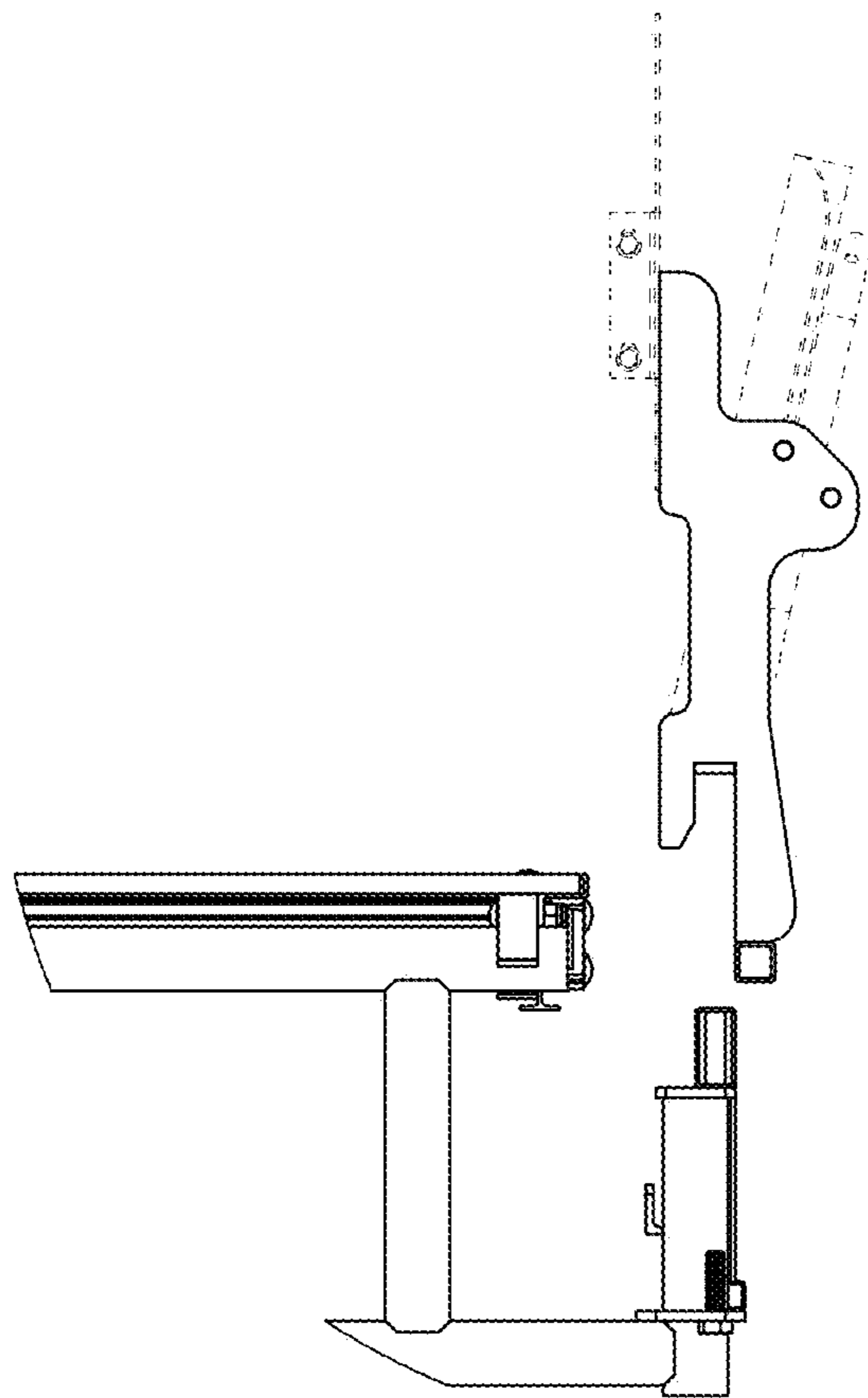


FIG 4

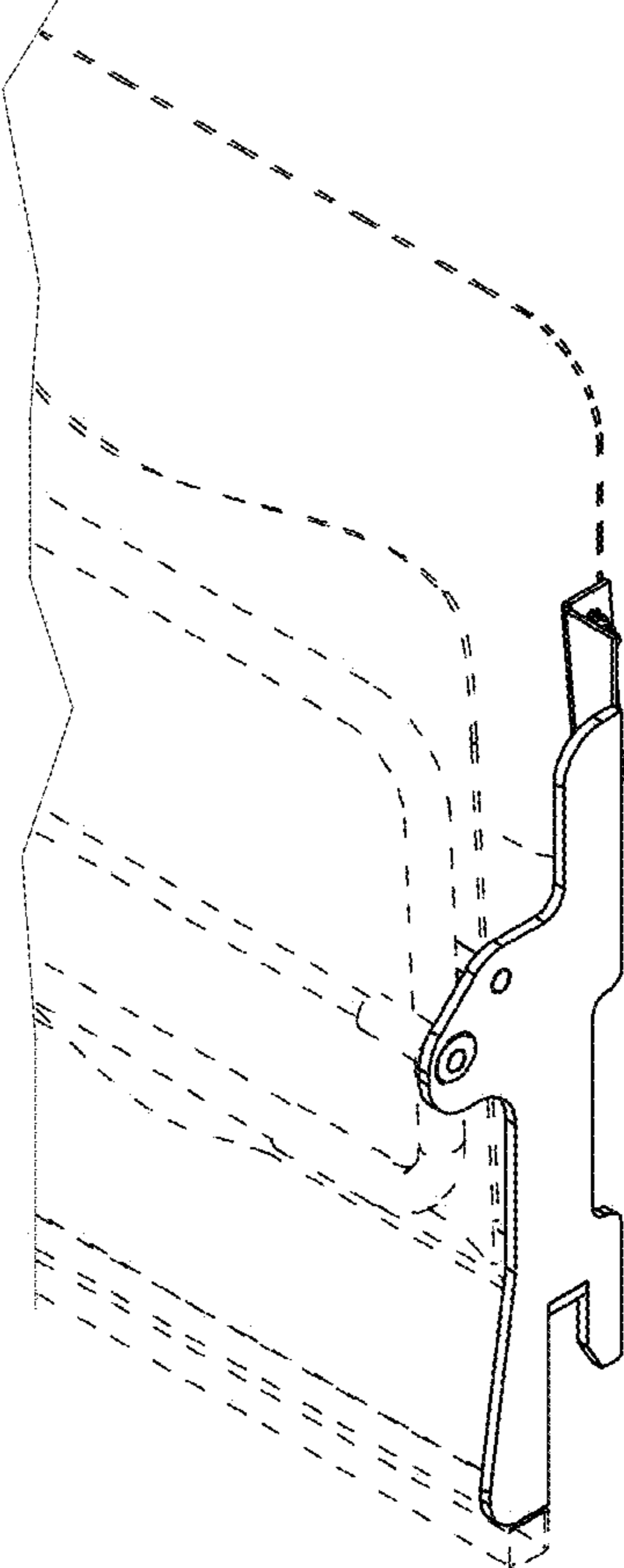


FIG 5