



US00D731831S

(12) **United States Design Patent**
Swy

(10) **Patent No.:** **US D731,831 S**
(45) **Date of Patent:** **** Jun. 16, 2015**

(54) **CHAIR BACK**

(71) Applicant: **Michigan Tube Swagers & Fabricators, Inc.**, Temperance, MI (US)

(72) Inventor: **Joshua Paul Swy**, Lambertville, MI (US)

(73) Assignee: **Michigan Tube Swagers & Fabricators, Inc.**, Temperance, MI (US)

(**) Term: **14 Years**

(21) Appl. No.: **29/449,926**

(22) Filed: **Mar. 15, 2013**

(51) **LOC (10) Cl.** **06-01**

(52) **U.S. Cl.**
USPC **D6/716.4**

(58) **Field of Classification Search**
USPC D6/334-336, 360-381, 716, 716.1, D6/716.4, 717; 297/239, 445.1, 446.1, 297/447.3, 448.1, 448.2, 451.1, 452.38, 297/452.48
CPC A47C 3/023; A47C 3/04; A47C 3/12; A47C 3/14; A47C 4/02; A47C 4/03; A47C 4/04; A47C 5/04; A47C 5/06; A47C 7/00; A47C 7/40; A47C 7/62; B60N 2/68; B60N 2/70

See application file for complete search history.

(56) **References Cited**

U.S. PATENT DOCUMENTS

D180,996 S *	9/1957	Cramer	D6/380
D368,383 S *	4/1996	Danko	D6/374
D503,288 S *	3/2005	Domack	D6/334
D518,970 S *	4/2006	Domack et al.	D6/380
D521,264 S *	5/2006	Ware et al.	D6/374

D536,548 S *	2/2007	Peitz et al.	D6/374
D555,927 S	11/2007	McKinnon	
D555,929 S *	11/2007	Lewis	D6/380
D572,029 S *	7/2008	Bouroullec et al.	D6/366

(Continued)

Primary Examiner — Ricky Pham

(74) *Attorney, Agent, or Firm* — Gifford, Krass, Sprinkle, Anderson & Citkowski, P.C.; Douglas L. Wathen

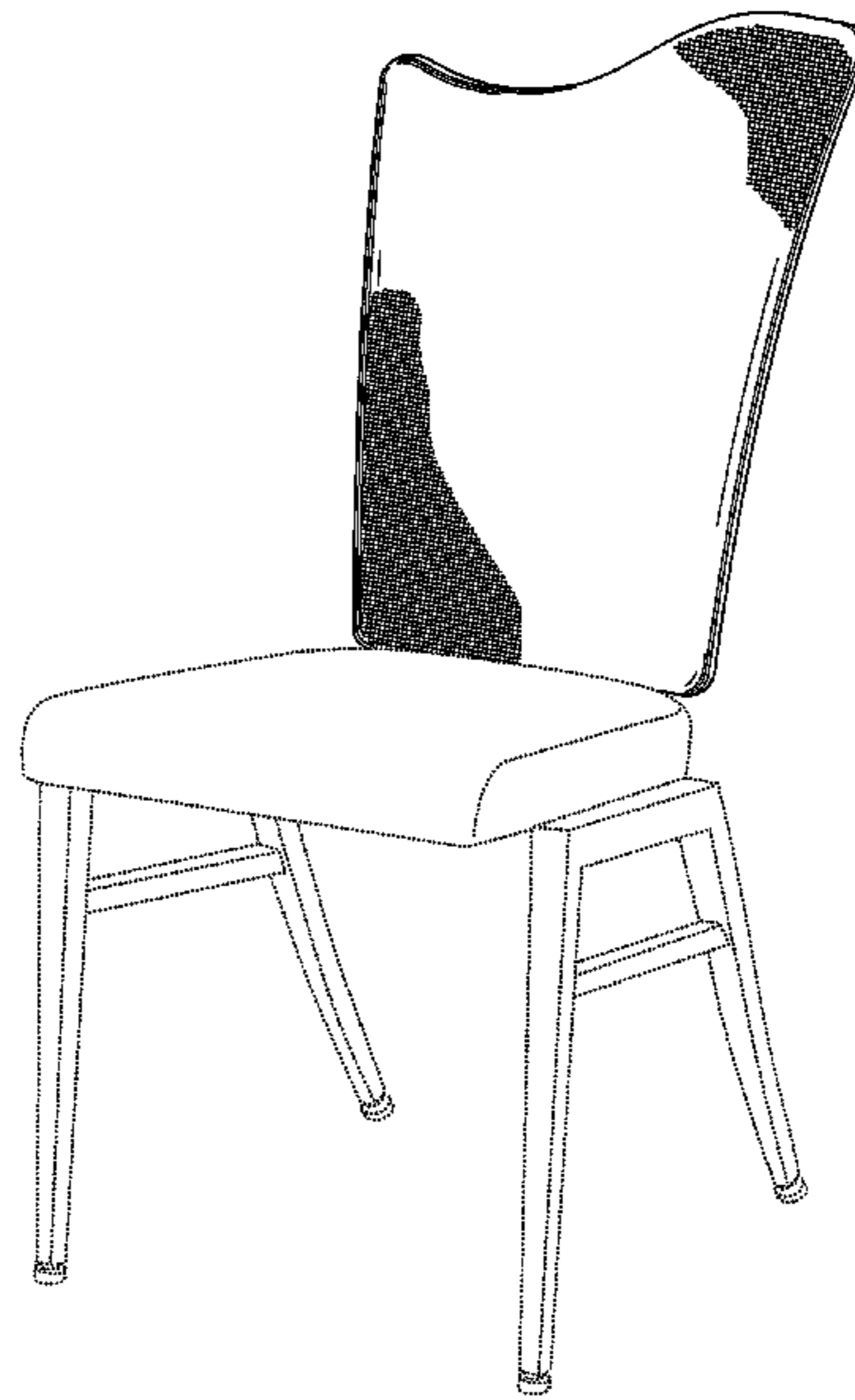
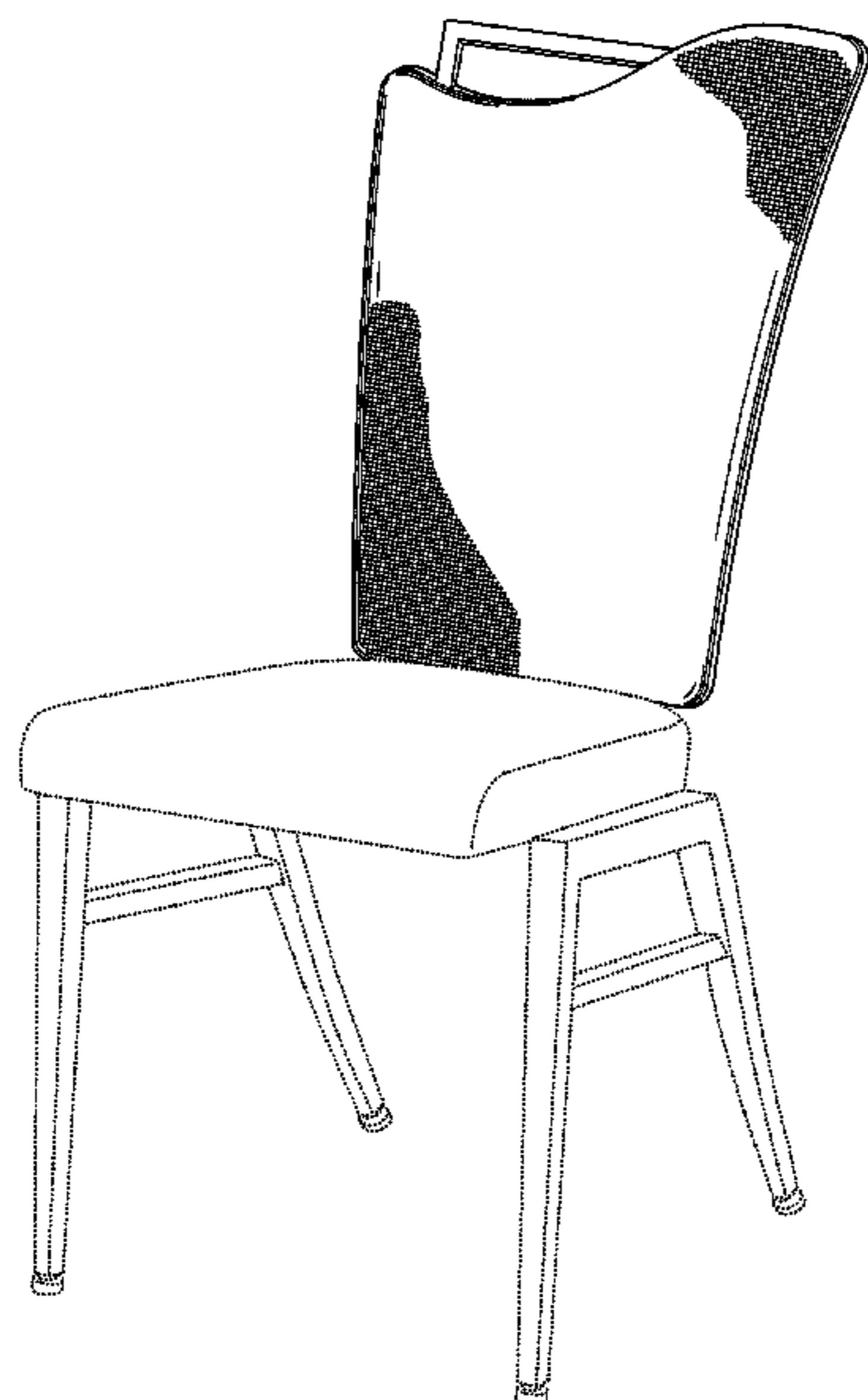
(57) **CLAIM**

The ornamental design for a chair back, as shown and described.

DESCRIPTION

FIG. 1 is a perspective view of a chair back in accordance with a first embodiment of the present invention;
 FIG. 2 is a front view of the chair back of FIG. 1;
 FIG. 3 is a side view of the chair back of FIGS. 1 and 2;
 FIG. 4 is an opposite side view of the chair back of FIGS. 1-3;
 FIG. 5 is a back view of the chair back of FIGS. 1-4;
 FIG. 6 is a top view of the chair back of FIGS. 1-5;
 FIG. 7 is a bottom view of the chair back of FIGS. 1-6;
 FIG. 8 is a perspective view of an alternative version of the chair back in accordance with the first embodiment of the present invention;
 FIG. 9 is a front view of the chair back of FIG. 8;
 FIG. 10 is a side view of the chair back of FIGS. 8 and 9;
 FIG. 11 is an opposite side view of the chair back of FIGS. 8-10;
 FIG. 12 is a back view of the chair back of FIGS. 8-11;
 FIG. 13 is a top view of the chair back of FIGS. 8-12; and,
 FIG. 14 is a bottom view of the chair back of FIGS. 8-13.
 The broken lines shown in the Figures are for environmental purposes only and form no part of the claimed design.

1 Claim, 14 Drawing Sheets



(56)

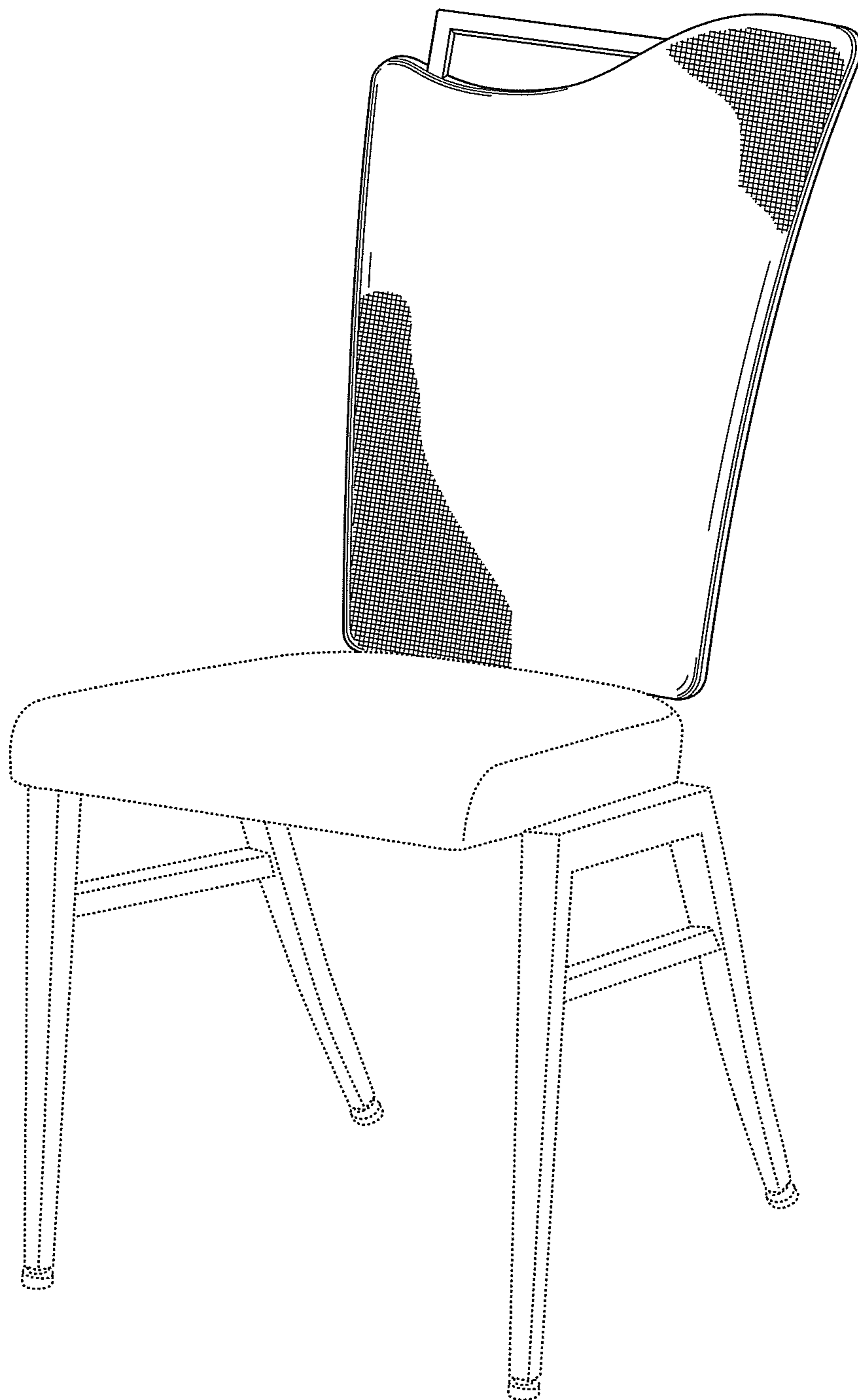
References Cited

U.S. PATENT DOCUMENTS

D578,790 S *	10/2008	Ciani et al.	D6/380	D647,719 S *	11/2011	Kubryk	D6/374
D607,656 S *	1/2010	Kubryk	D6/380	D648,580 S *	11/2011	Gasser	D6/500
D616,658 S *	6/2010	Niermeyer	D6/368	D649,805 S *	12/2011	Kubryk	D6/380
D616,660 S *	6/2010	Kubryk	D6/380	D650,196 S *	12/2011	Swy et al.	D6/374
D620,275 S *	7/2010	Sofield	D6/380	D672,162 S *	12/2012	Kubryk	D6/380
D629,223 S *	12/2010	Swy	D6/374	D677,484 S *	3/2013	Kubryk	D6/380
D629,629 S *	12/2010	Swy	D6/374	D677,485 S *	3/2013	Kubryk	D6/380
D646,096 S *	10/2011	Langbord et al.	D6/502	D691,823 S *	10/2013	Schmitt	D6/379
				D697,734 S *	1/2014	Kubryk	D6/374
				2005/0242651 A1 *	11/2005	Peitz et al.	297/452.38

* cited by examiner

FIG. 1



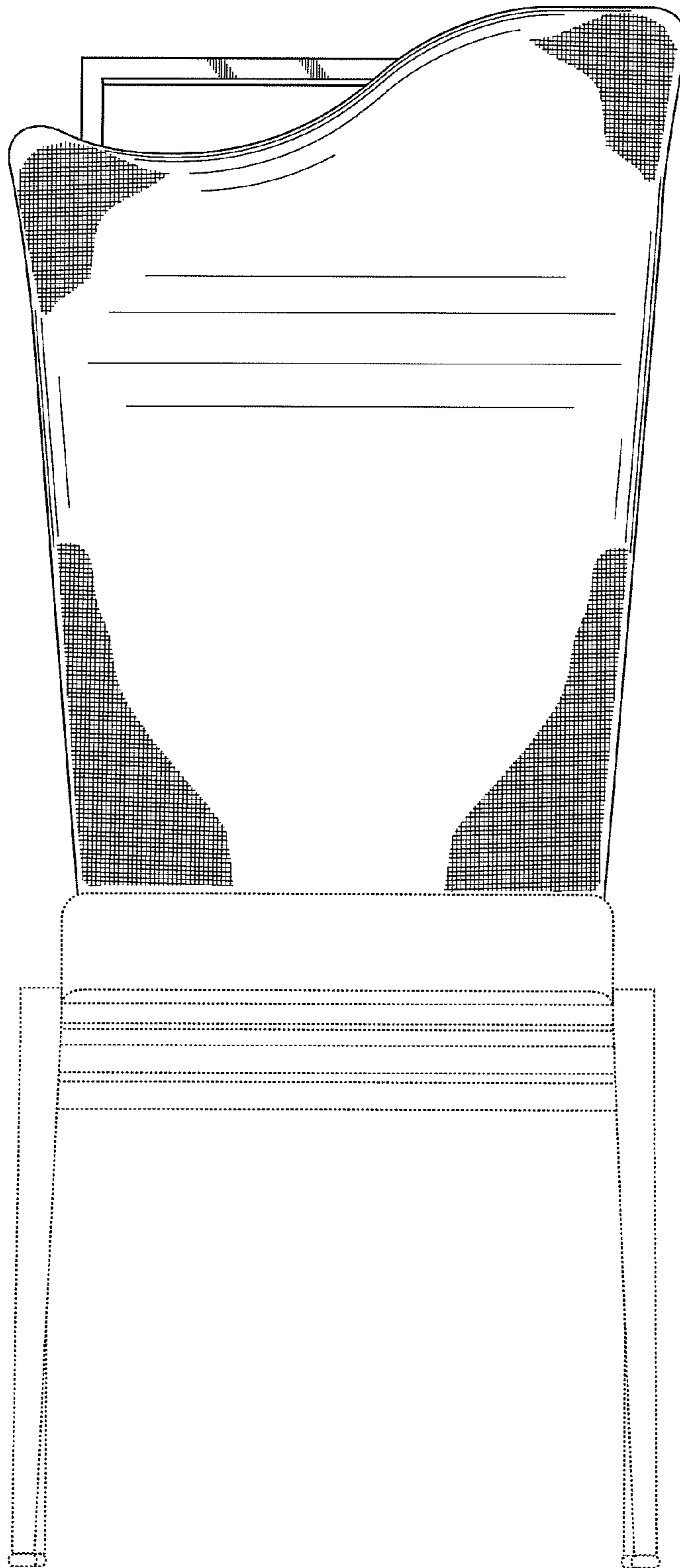
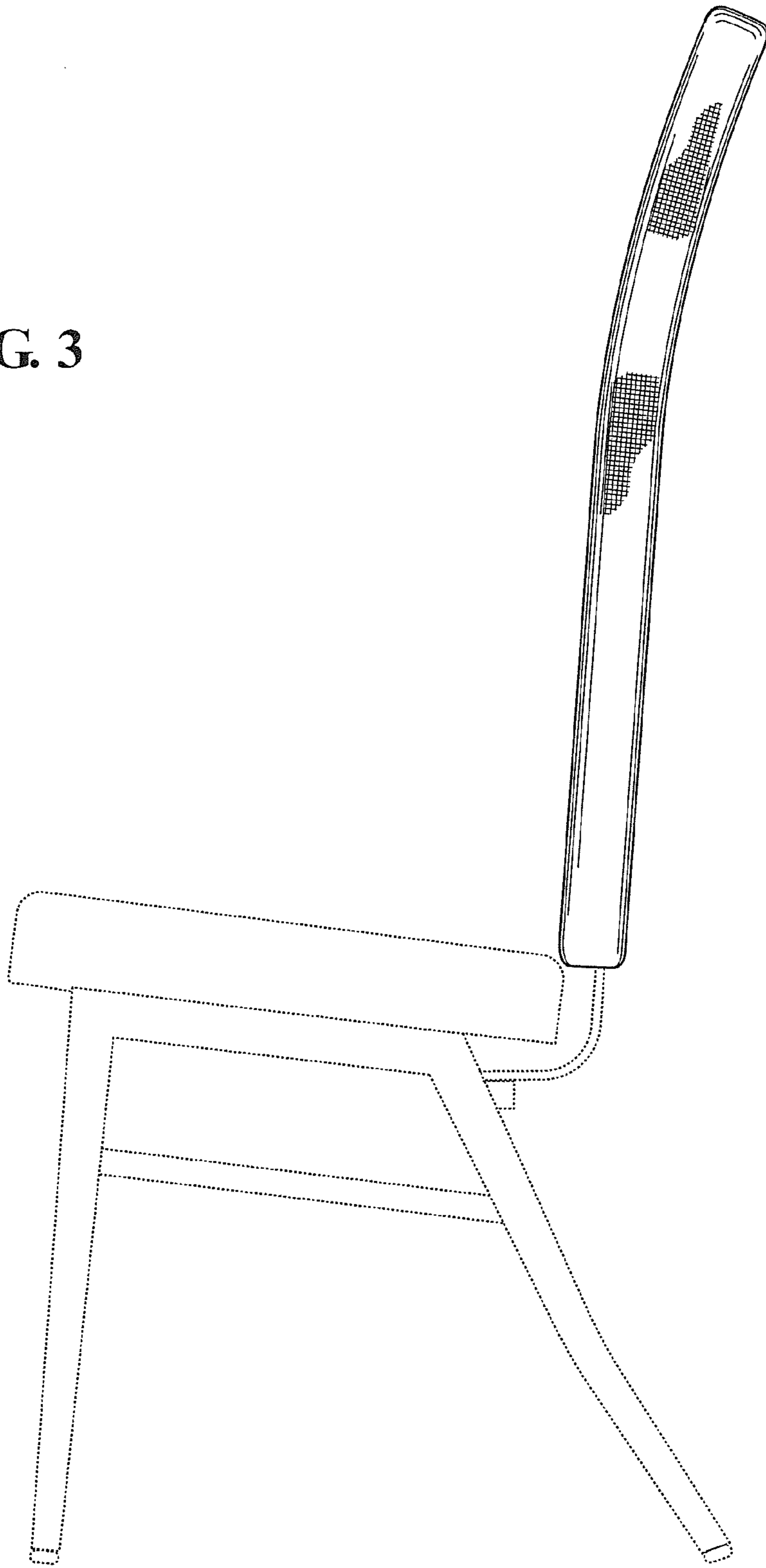


FIG. 2

FIG. 3



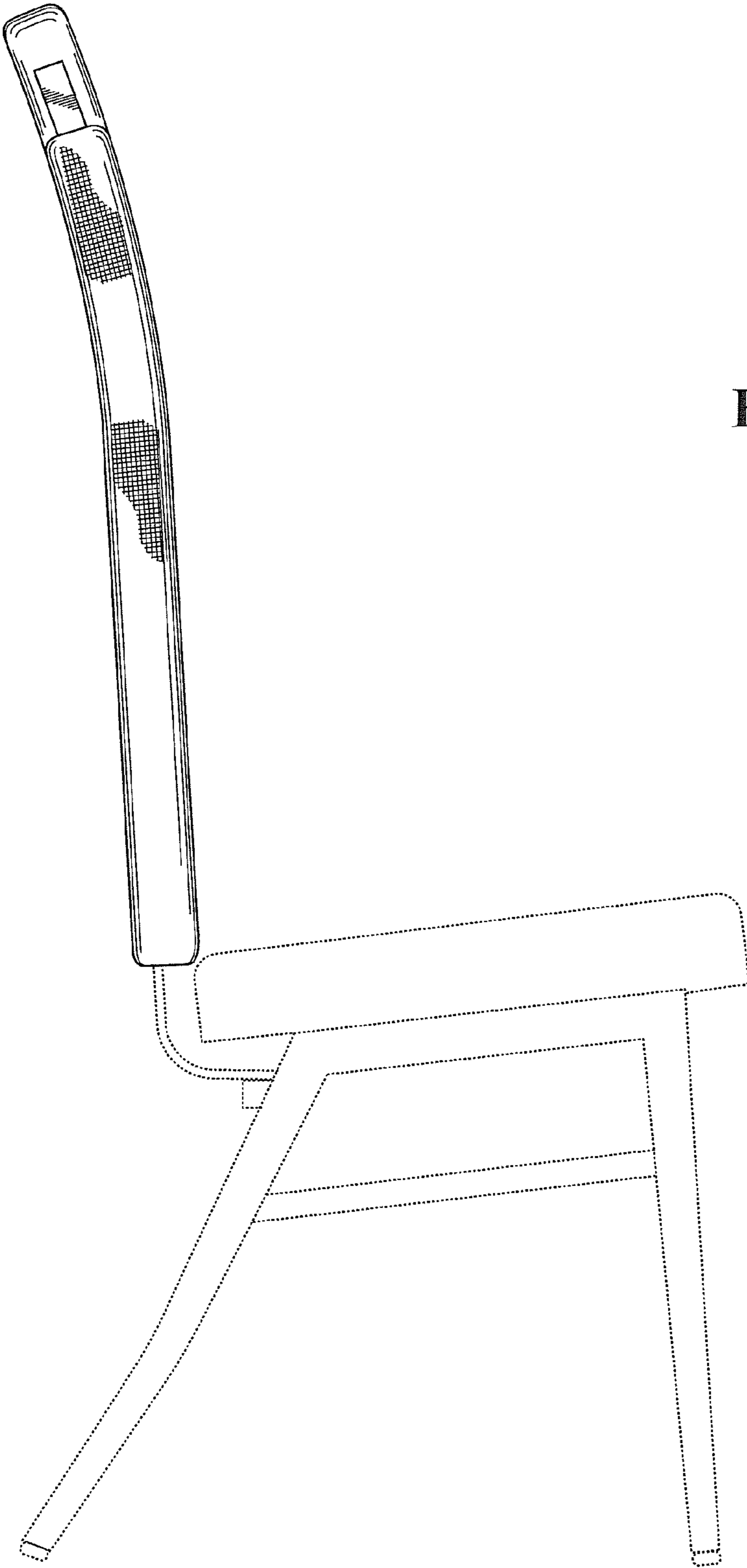


FIG. 4

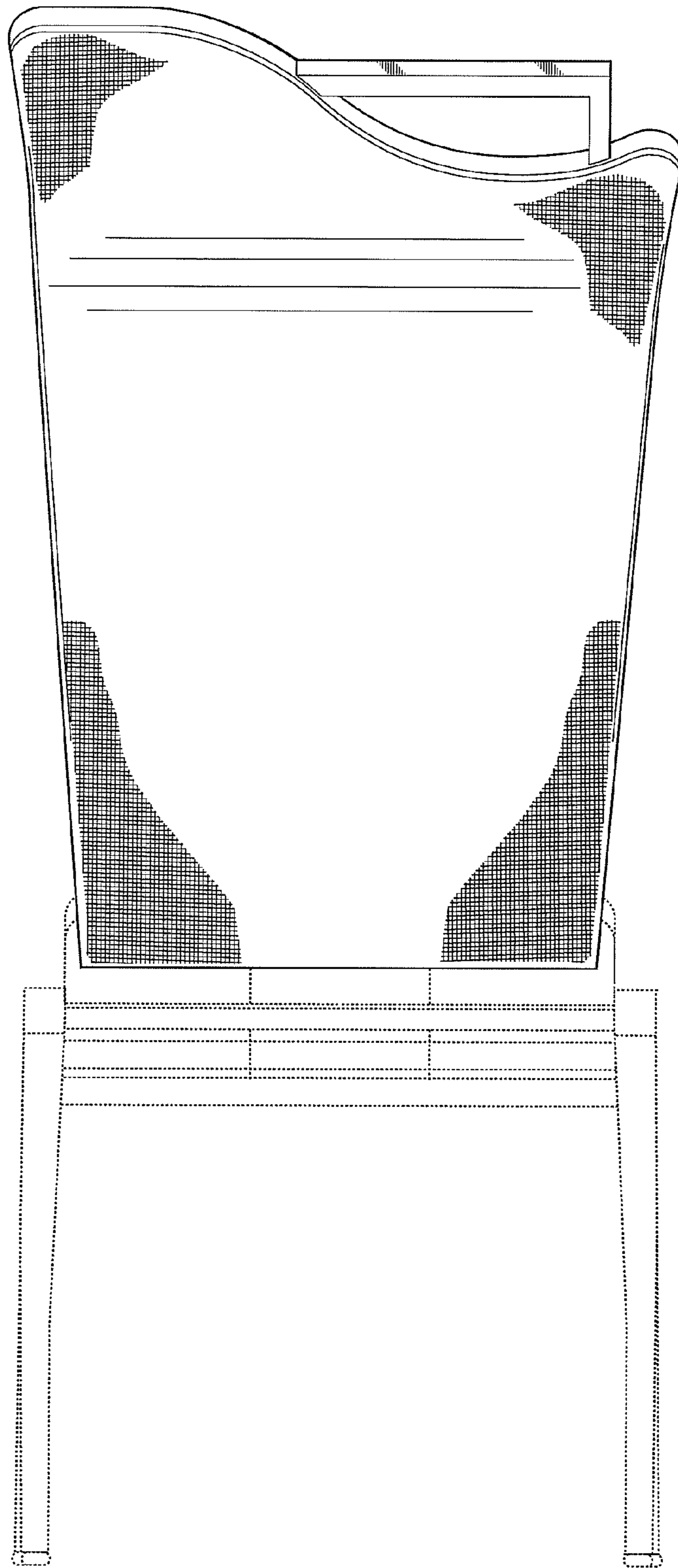


FIG. 5

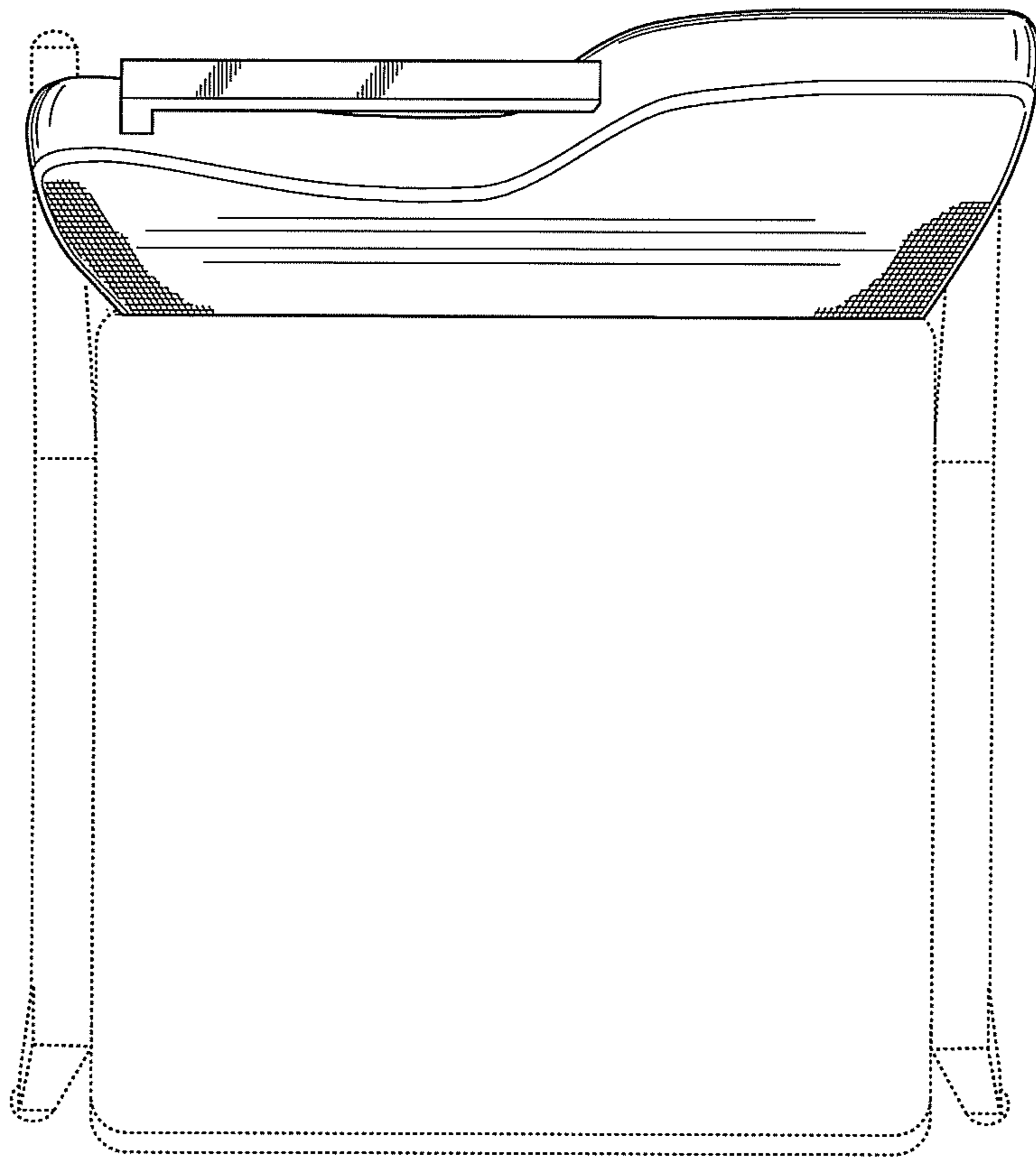


FIG. 6

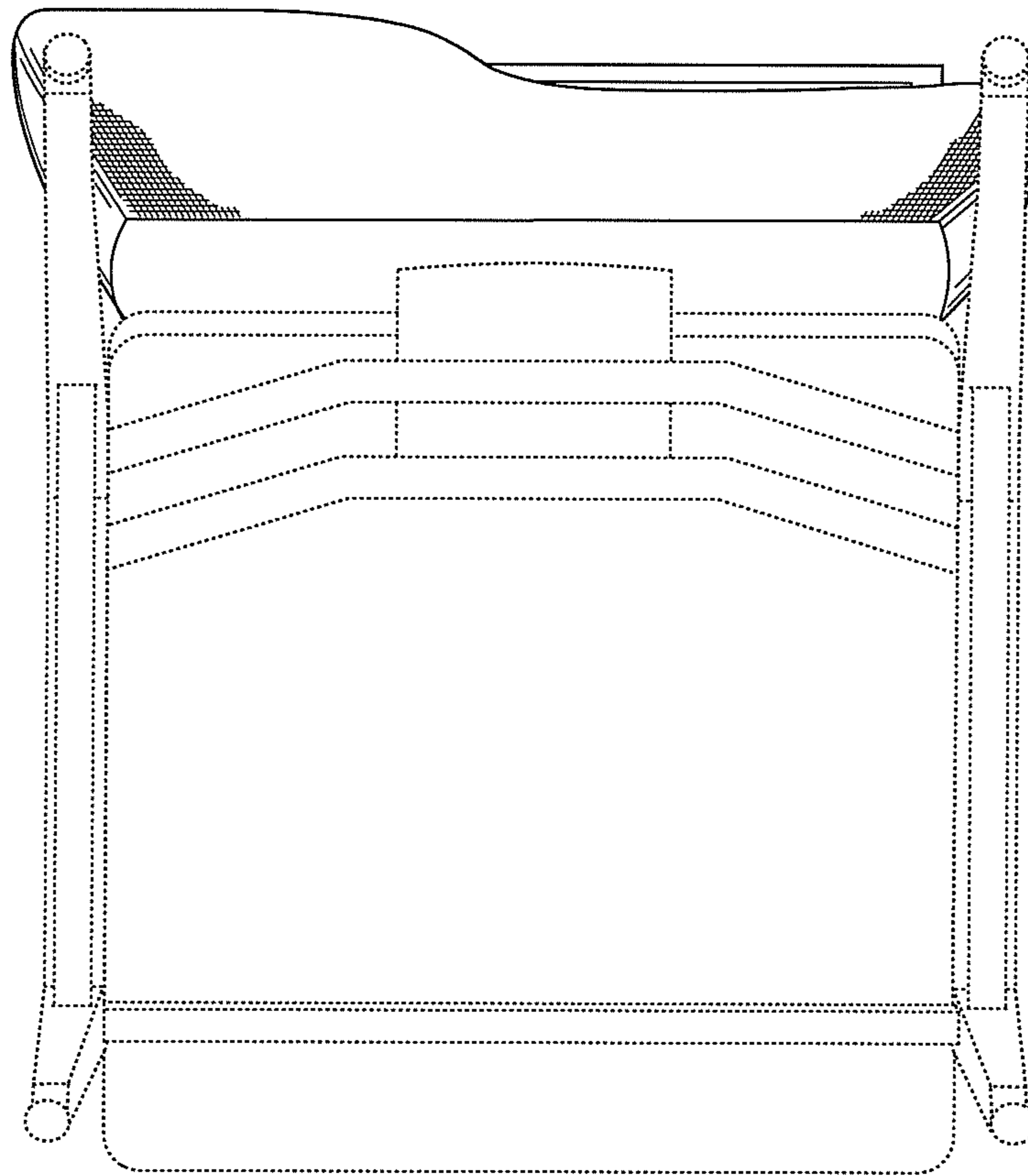


FIG. 7

FIG. 8

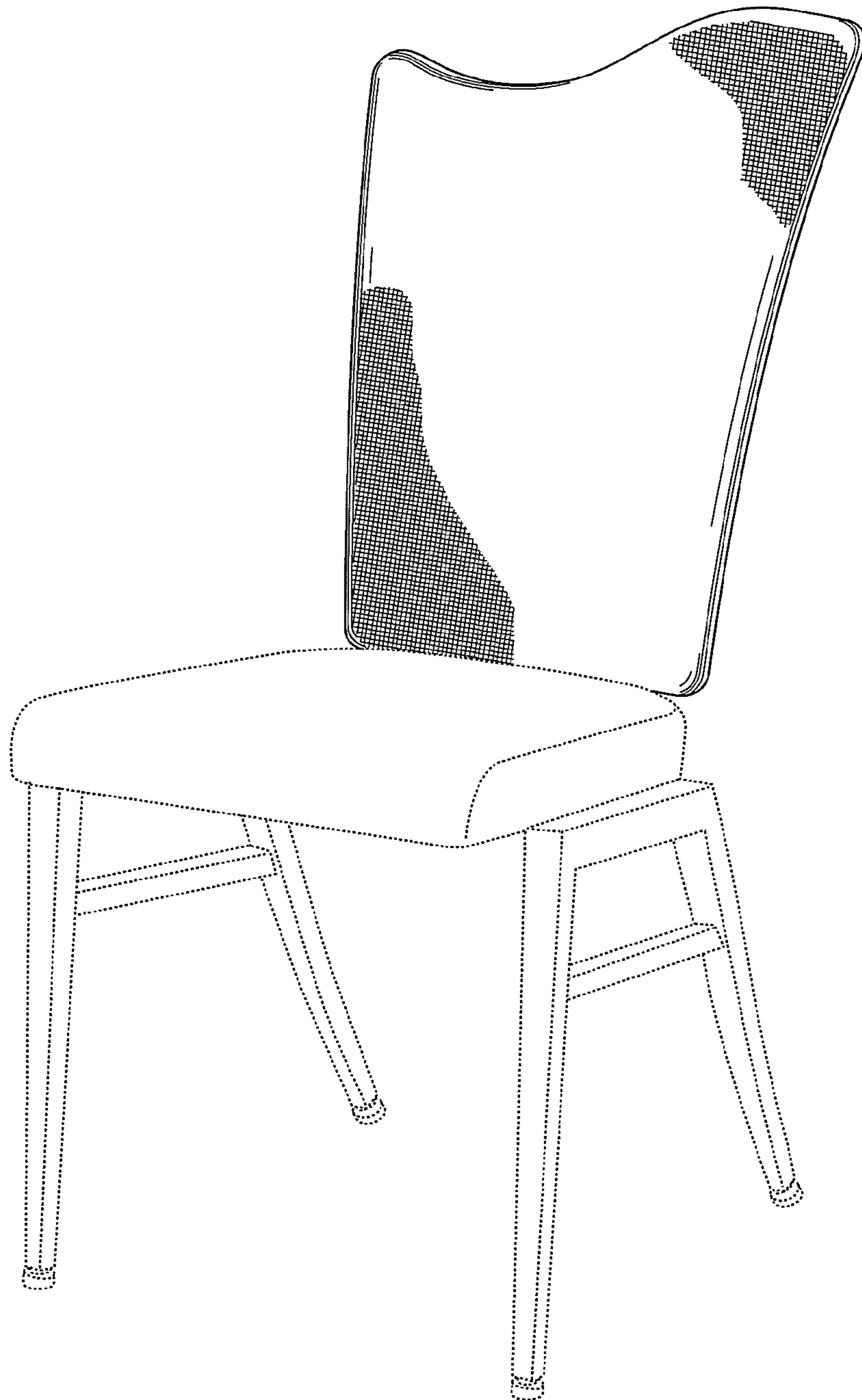


FIG. 9

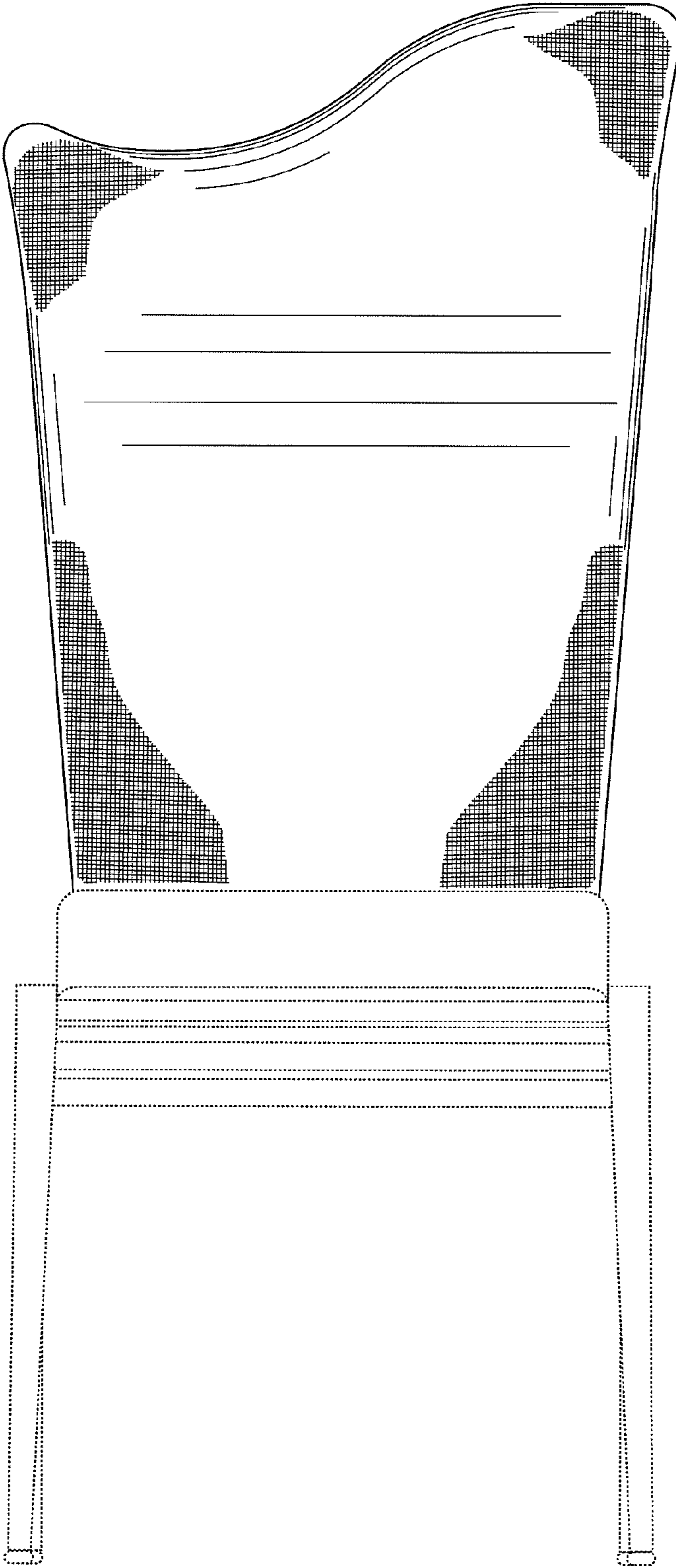
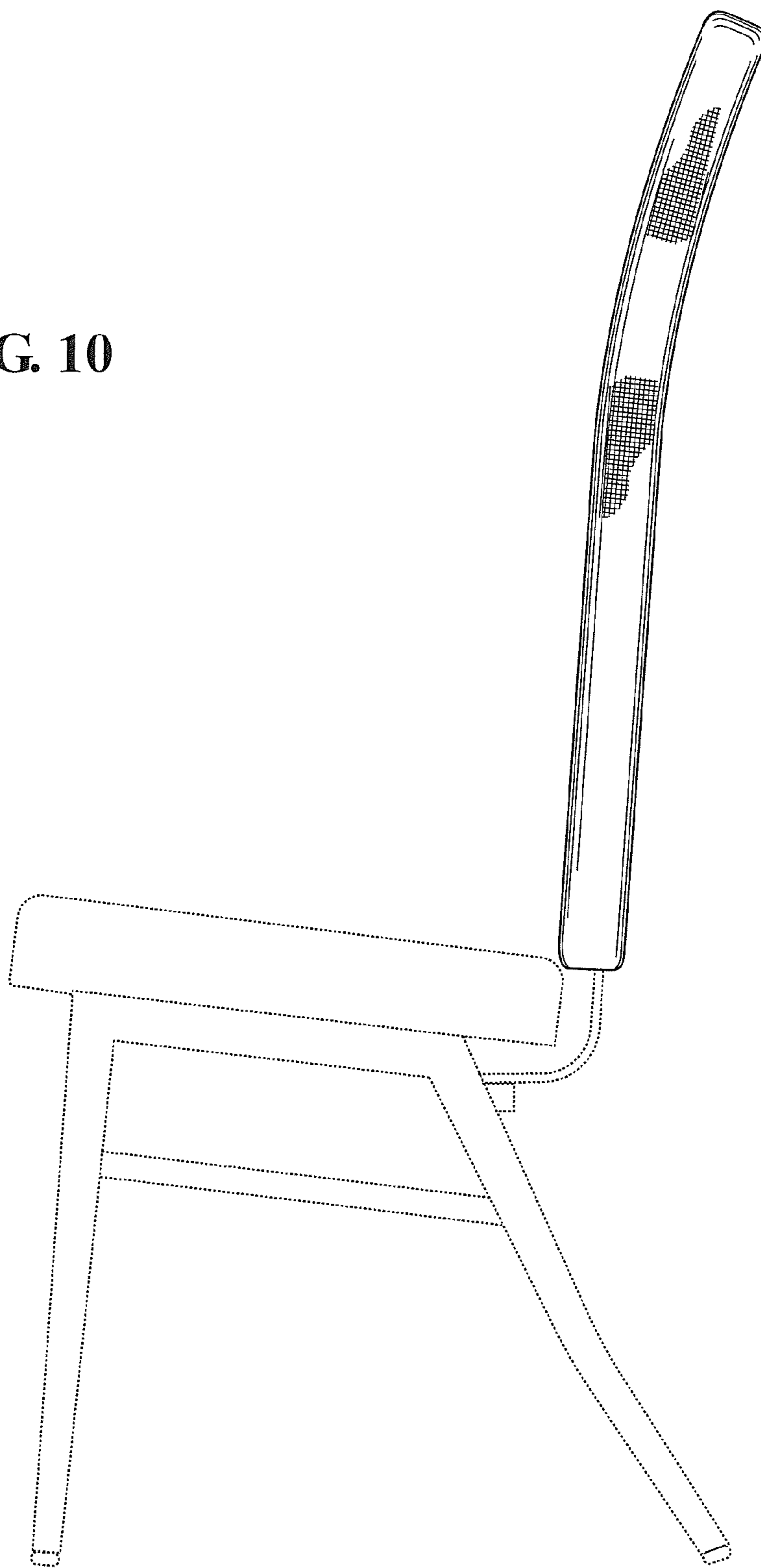


FIG. 10



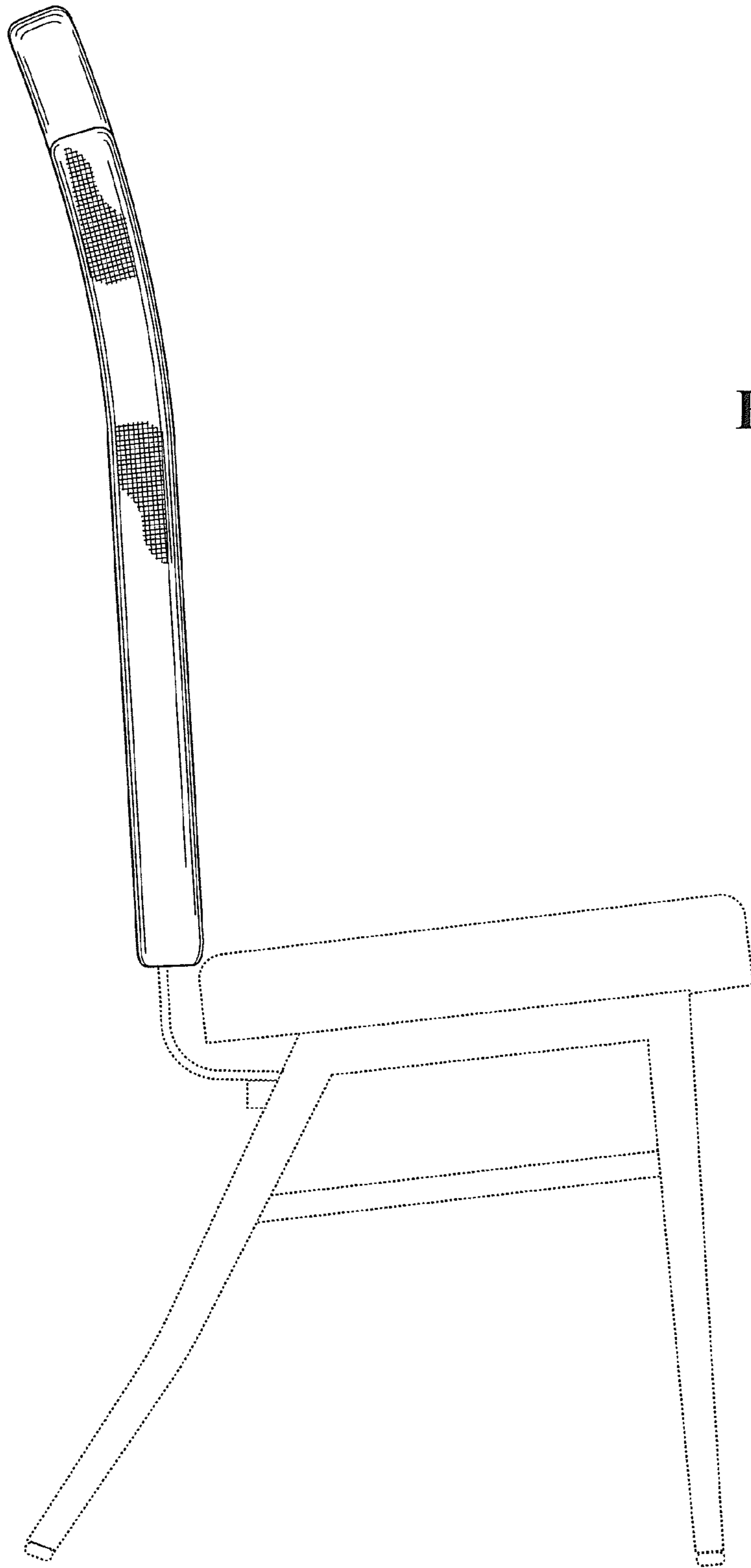
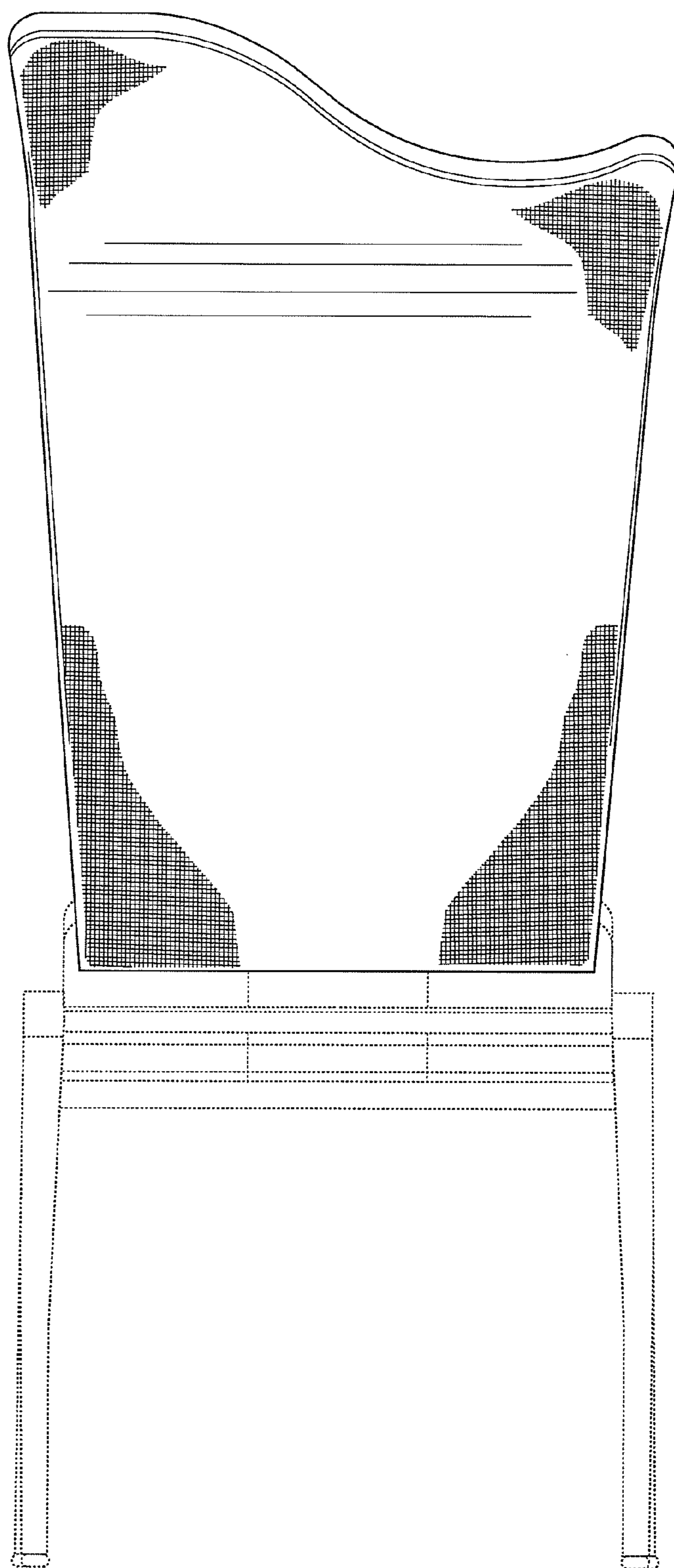


FIG. 11

FIG. 12



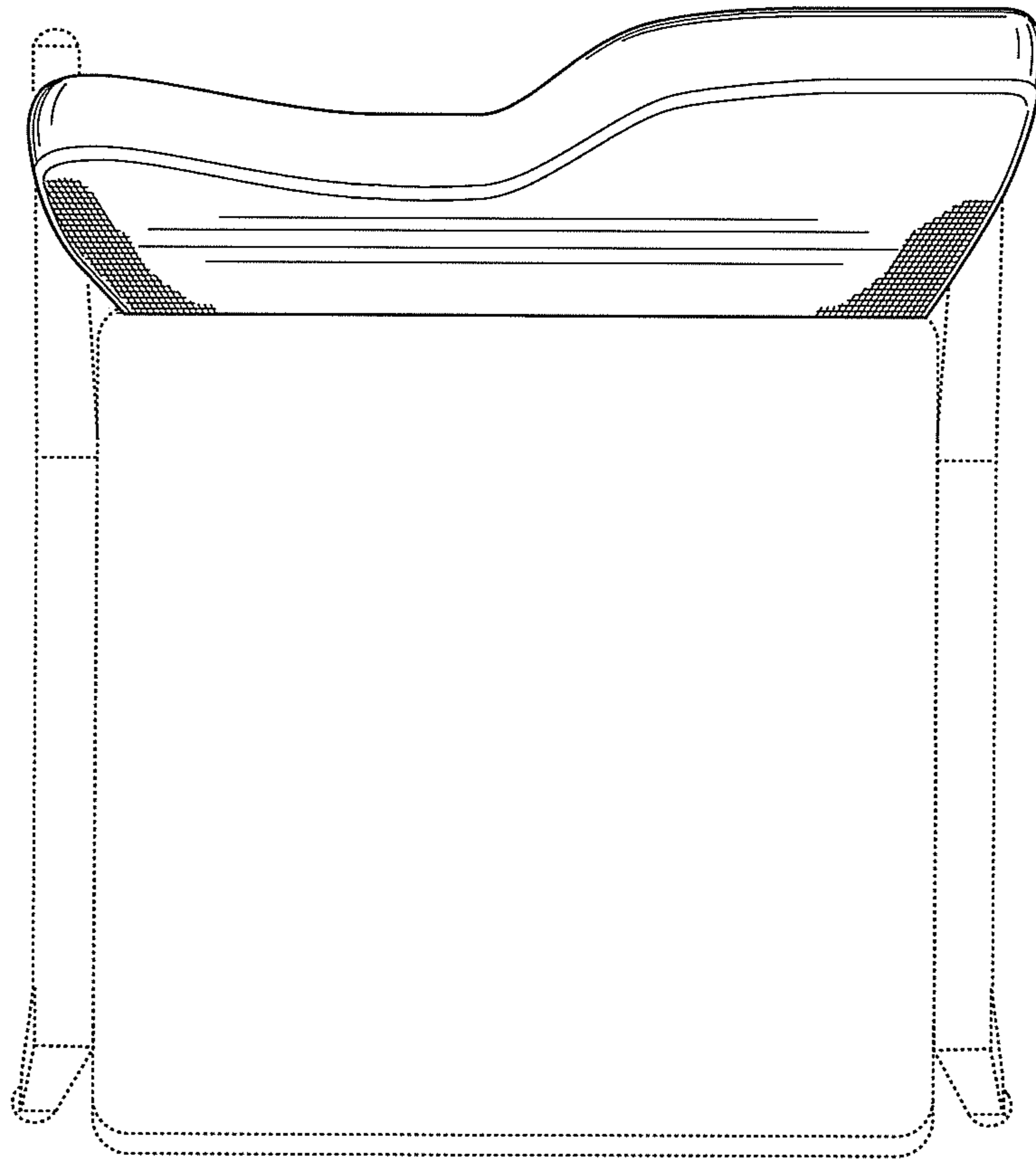


FIG. 13

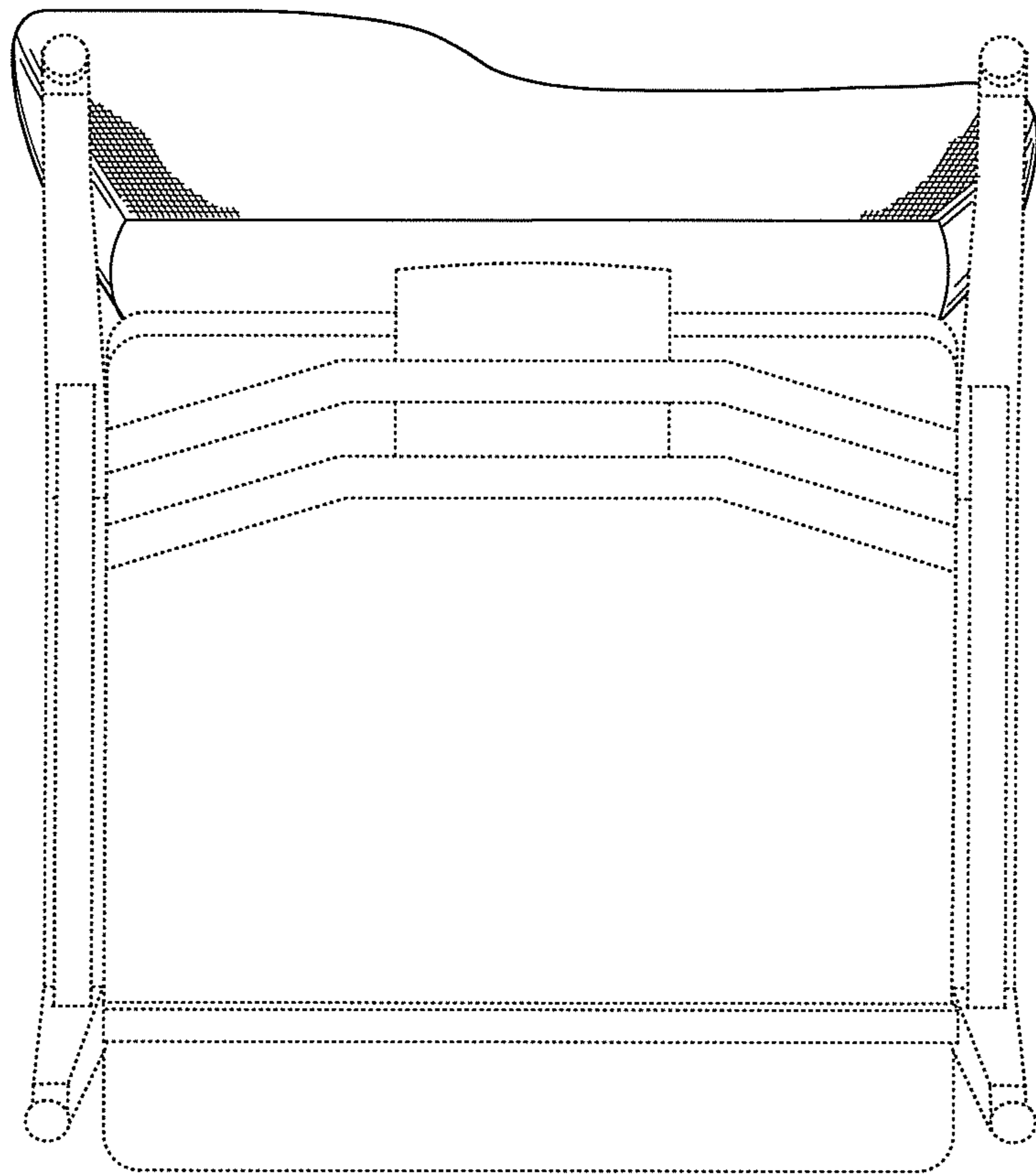


FIG. 14