



US00D731830S

(12) **United States Design Patent**
Kubryk

(10) **Patent No.:** **US D731,830 S**
(45) **Date of Patent:** **** Jun. 16, 2015**

- (54) **TASK CHAIR**
- (71) Applicant: **Isaac Kubryk**, Lockeford, CA (US)
- (72) Inventor: **Isaac Kubryk**, Lockeford, CA (US)
- (73) Assignee: **Global Allies**, Lockeford, CA (US)
- (**) Term: **14 Years**
- (21) Appl. No.: **29/482,853**
- (22) Filed: **Feb. 21, 2014**
- (51) **LOC (10) Cl.** **06-01**
- (52) **U.S. Cl.**
USPC **D6/716**
- (58) **Field of Classification Search**
USPC D6/334–336, 364, 365, 366, 371–375,
D6/379, 380, 716, 716.1, 716.2, 716.4
CPC A47C 4/02; A47C 4/03; A47C 7/18;
A47C 3/12; A47C 5/12; A47C 7/54
See application file for complete search history.

- D623,447 S * 9/2010 Kubryk D6/716
- D623,879 S * 9/2010 Kubryk D6/716
- D655,112 S * 3/2012 Kubryk D6/716
- D659,420 S * 5/2012 Huang D6/366
- D663,976 S * 7/2012 Kubryk D6/716

* cited by examiner

Primary Examiner — Mimososa De

(74) *Attorney, Agent, or Firm* — Audrey A. Millemann;
Weintraub Tobin

(57) **CLAIM**

The ornamental design for a task chair, as shown and described.

DESCRIPTION

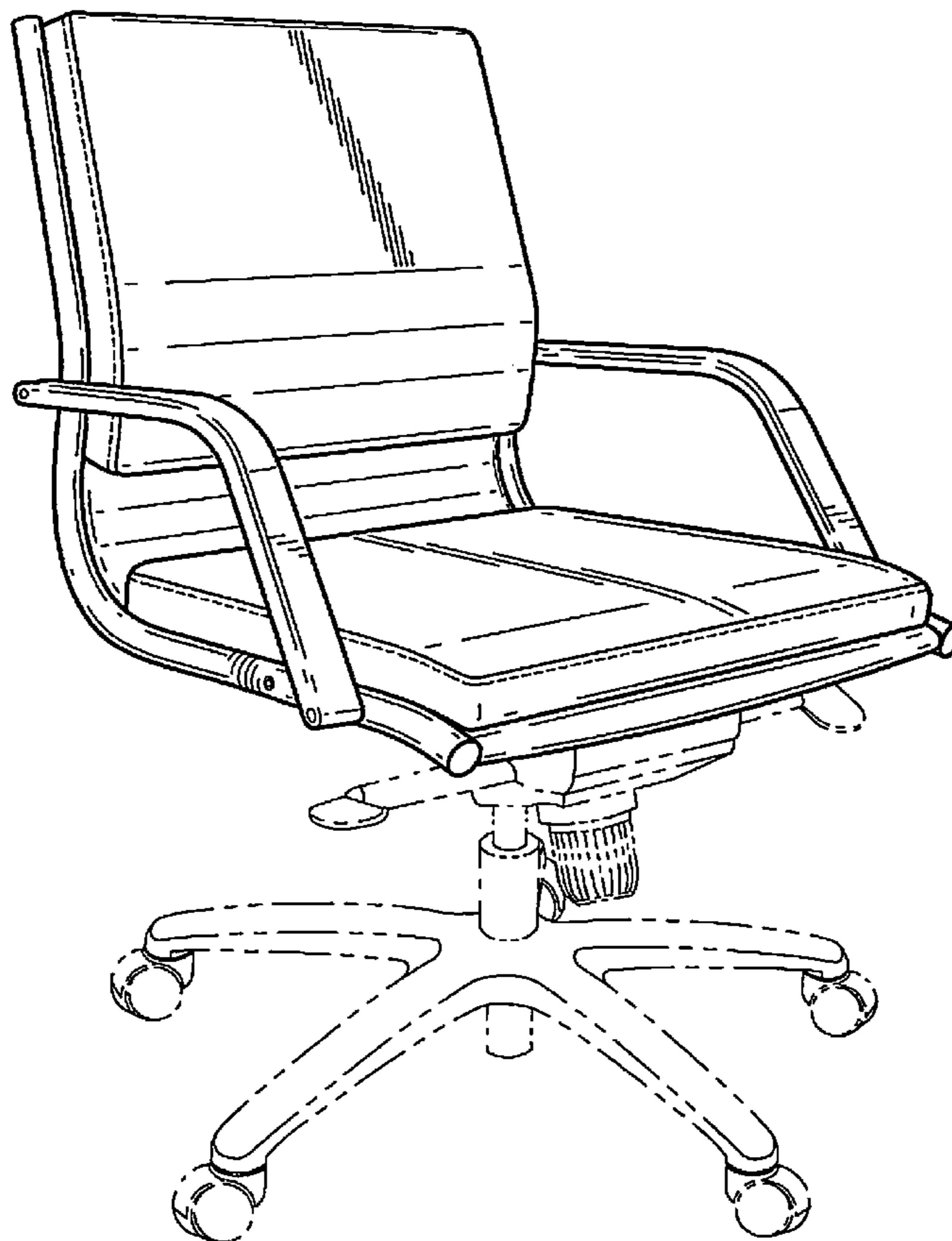
FIG. 1 is a perspective view of a task chair, looking toward the right front corner, showing my new design;
 FIG. 2 is a front view thereof;
 FIG. 3 is a right side view thereof;
 FIG. 4 is a back view thereof;
 FIG. 5 is a top view thereof; and,
 FIG. 6 is a bottom view thereof.
 The broken lines shown in the drawing are for illustrative purposes only and form no part of the claimed design.

1 Claim, 5 Drawing Sheets

(56) **References Cited**

U.S. PATENT DOCUMENTS

- D391,424 S * 3/1998 Raftery D6/716
- D622,985 S * 9/2010 Kubryk D6/716



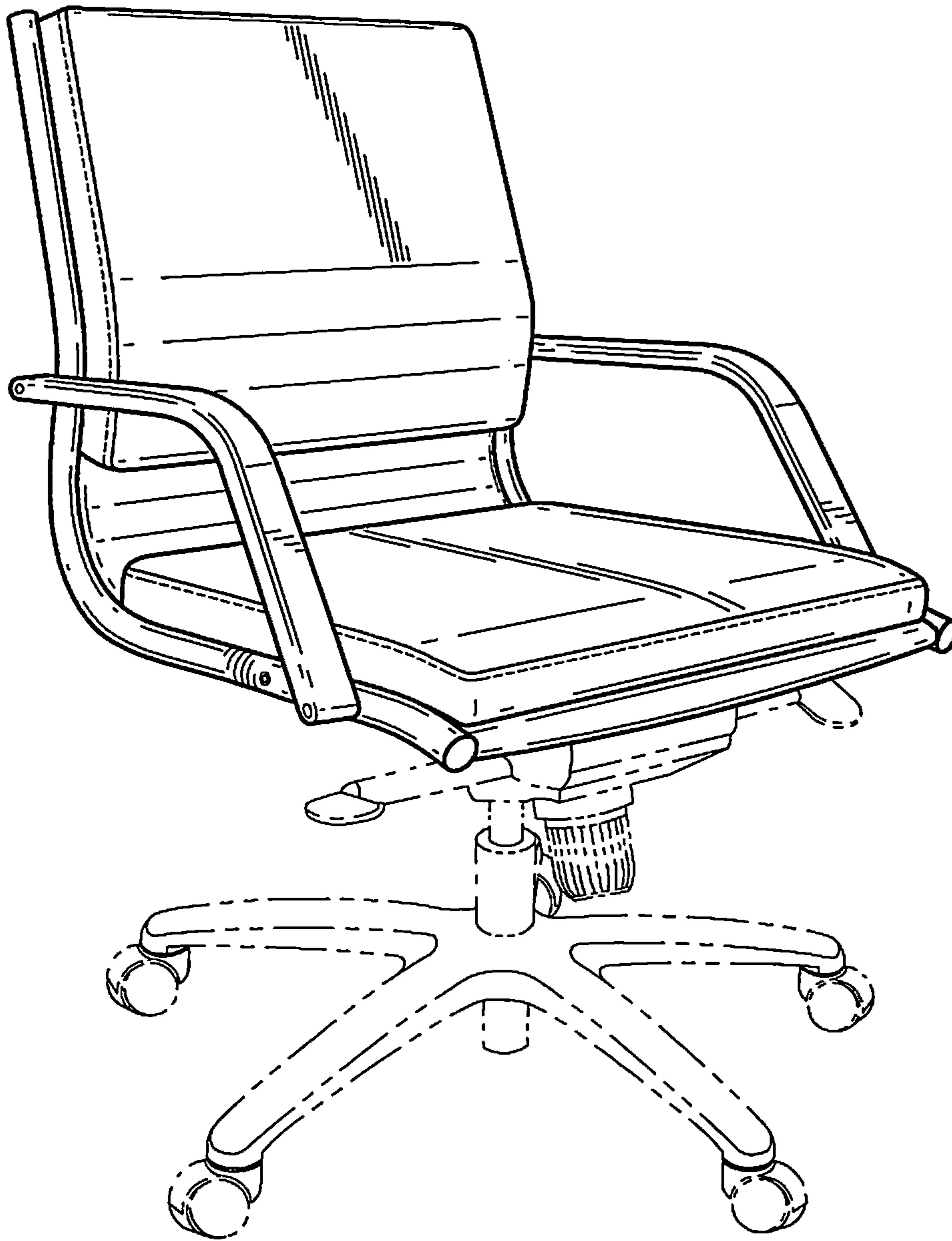


FIG. 1

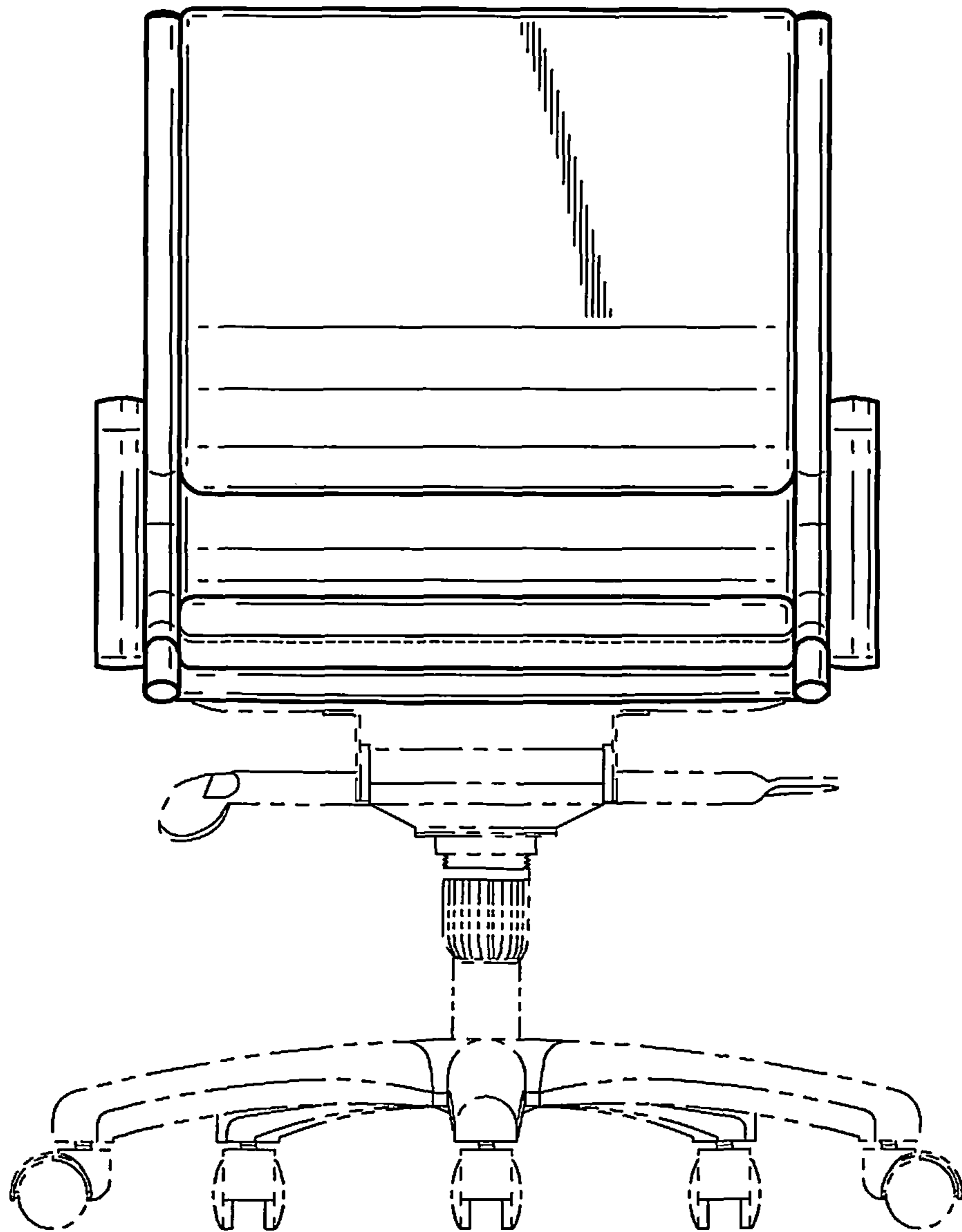


FIG. 2

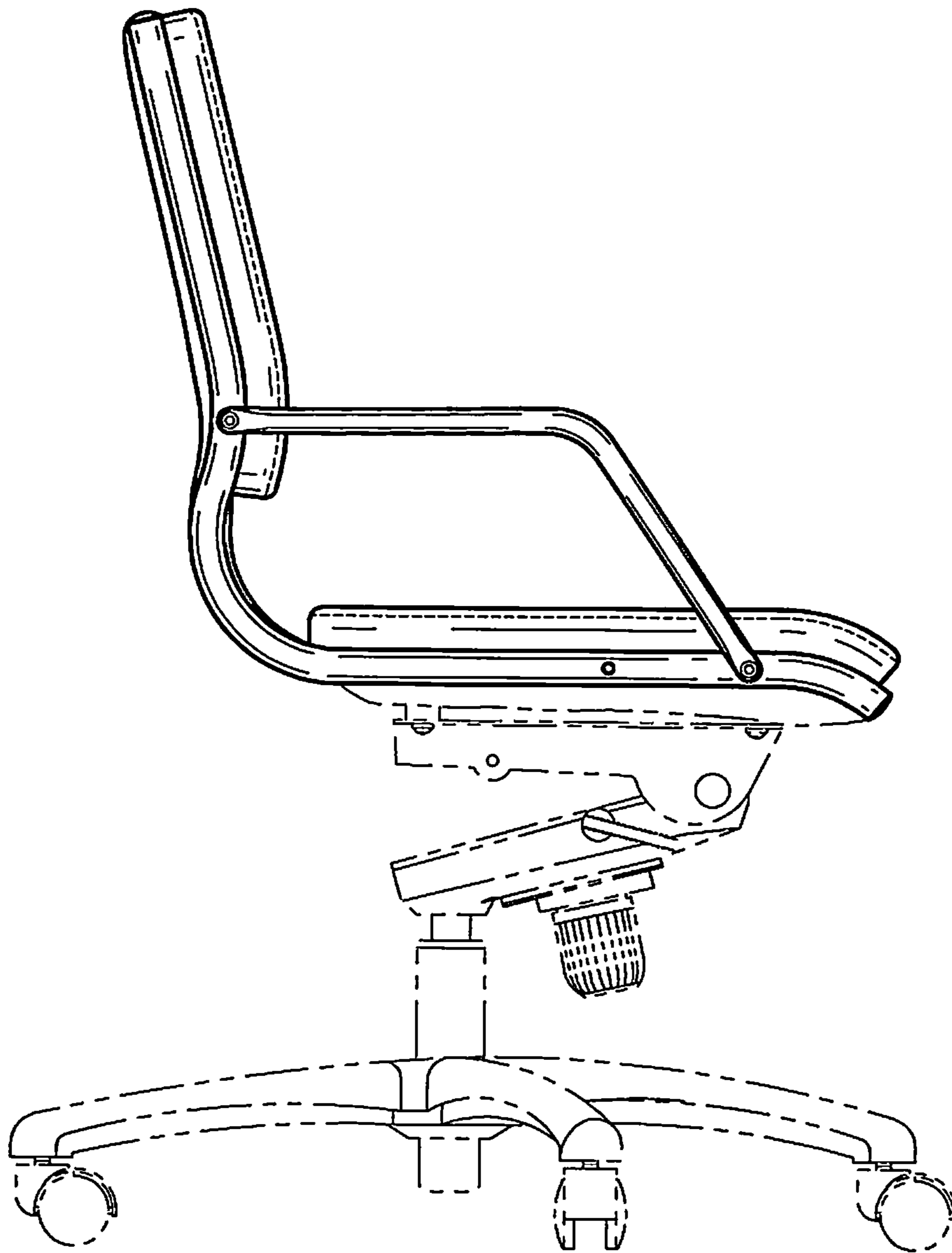


FIG. 3

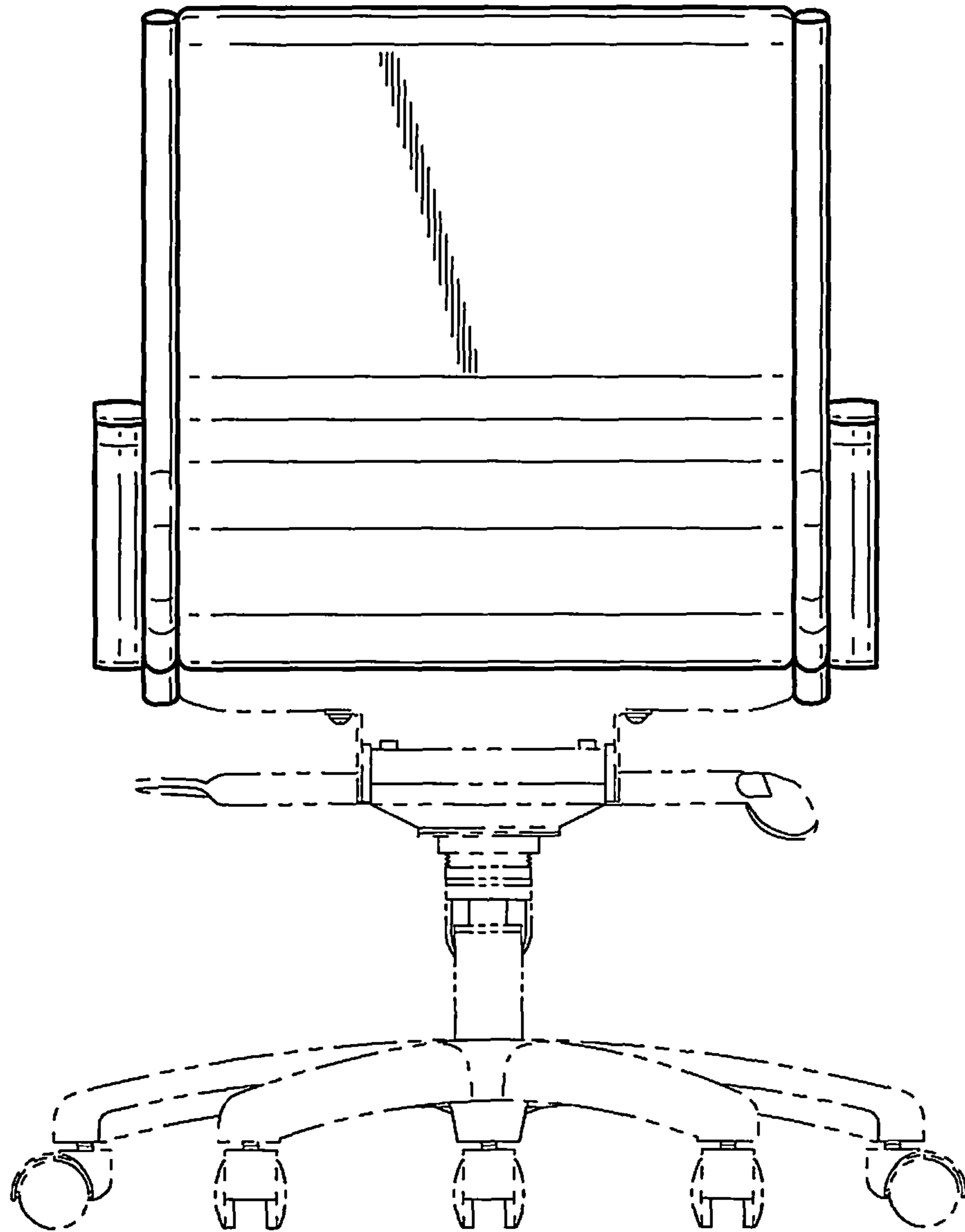


FIG. 4

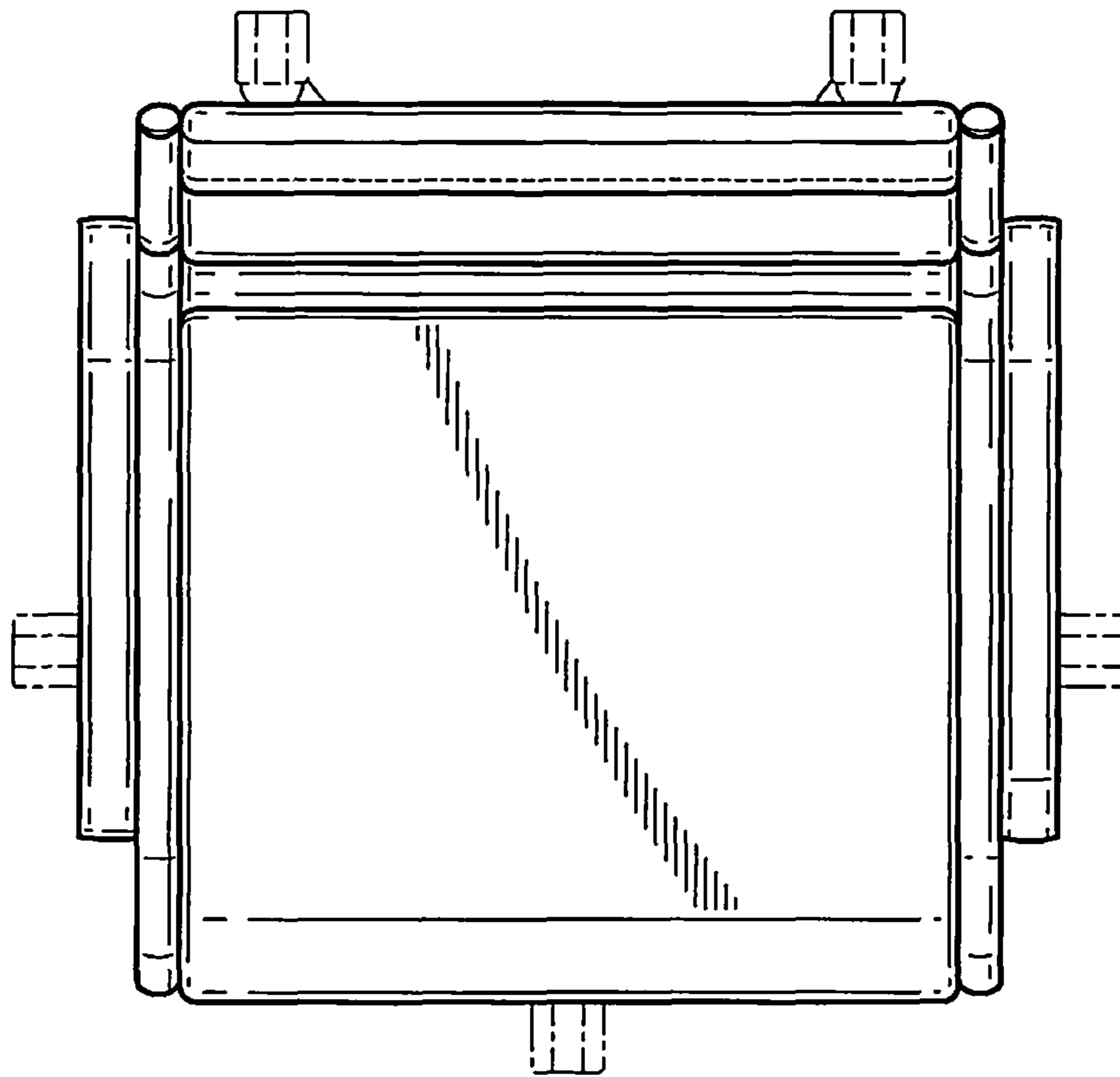


FIG. 5

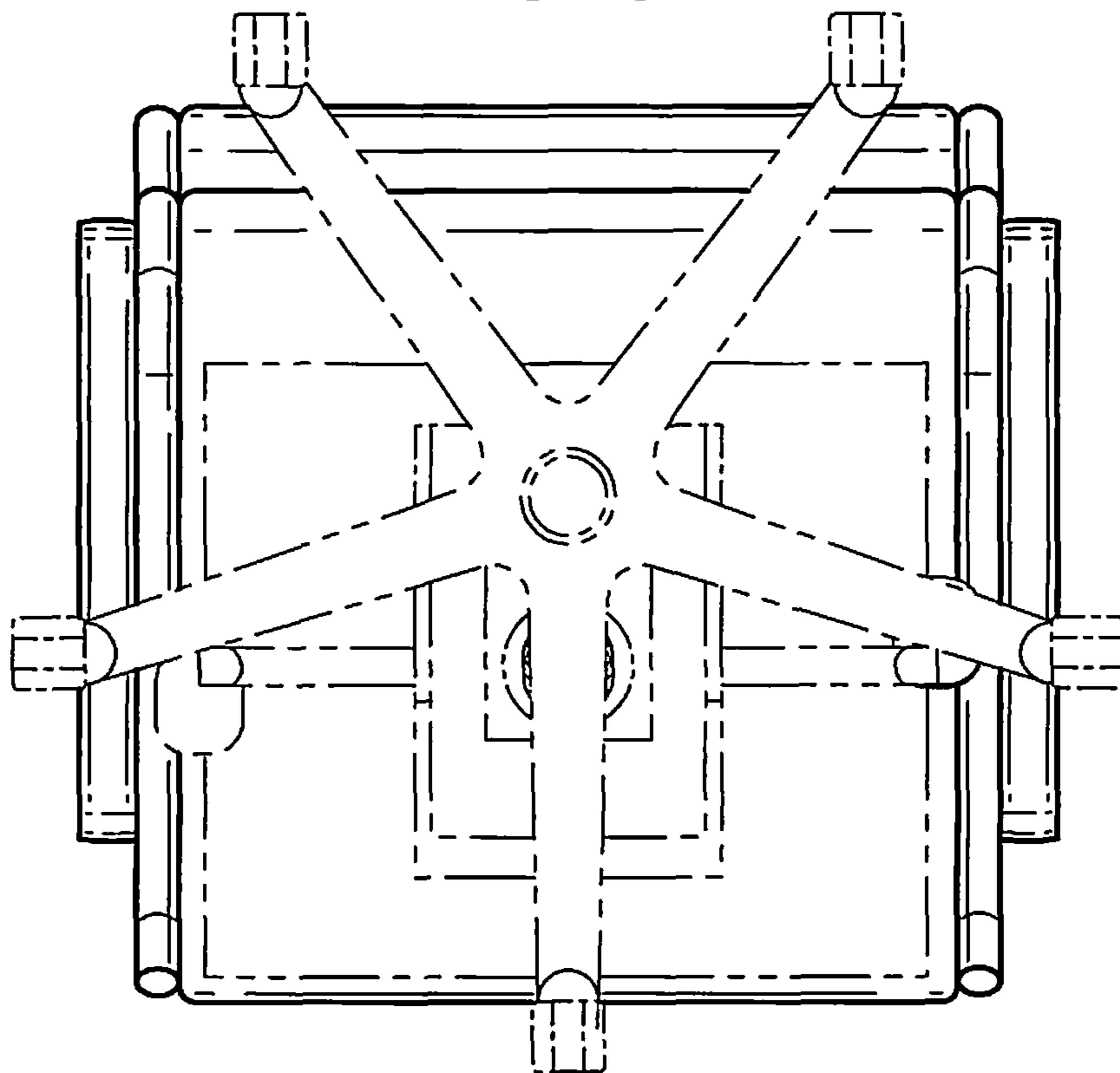


FIG. 6