



US00D731828S

(12) **United States Design Patent**
Ortego

(10) **Patent No.:** **US D731,828 S**
(45) **Date of Patent:** **** Jun. 16, 2015**

- (54) **SEAT ARM POUCH**
- (71) Applicant: **Michael A. Ortego**, Miami, FL (US)
- (72) Inventor: **Michael A. Ortego**, Miami, FL (US)
- (**) Term: **14 Years**
- (21) Appl. No.: **29/466,243**
- (22) Filed: **Sep. 5, 2013**
- (51) **LOC (10) Cl.** **06-01**
- (52) **U.S. Cl.**
USPC **D6/702**
- (58) **Field of Classification Search**
USPC D6/334–338, 349, 355, 361, 368–370,
D6/376, 379–381, 716, 716.1, 716.2, 340,
D6/354, 377, 702; 297/16.1, 42, 94, 135,
297/175, 232, 233, 350, 351, 445.1, 448.1,
297/448.2, 451.9; 5/12.1, 12.2
CPC A47C 1/02; A47C 7/24; A47C 17/00;
A47C 17/02; A47C 17/04; A47C 17/045;
A47C 17/12; A47C 17/132; A47C 17/136
See application file for complete search history.

5,178,310	A *	1/1993	Sowerby	224/153
D340,814	S *	11/1993	Grant	D6/368
D357,609	S *	4/1995	Webb et al.	D6/596
D358,731	S *	5/1995	McAlear	D6/513
D362,571	S *	9/1995	Quinones	D6/503
D367,367	S *	2/1996	Bekerman	D6/336
5,511,710	A *	4/1996	Woods et al.	224/407
5,743,650	A *	4/1998	Shannon et al.	383/16
6,174,082	B1 *	1/2001	Pelky et al.	383/22
6,244,481	B1 *	6/2001	Brougher	224/153
D456,517	S *	4/2002	Kraska et al.	D24/189
D559,018	S *	1/2008	Peoples et al.	D6/491
D600,050	S *	9/2009	Freeman	D6/502
D632,510	S *	2/2011	Johnson	D6/502

* cited by examiner

Primary Examiner — Sandra Snapp
(74) *Attorney, Agent, or Firm* — Ruben Alcoba, Esq.

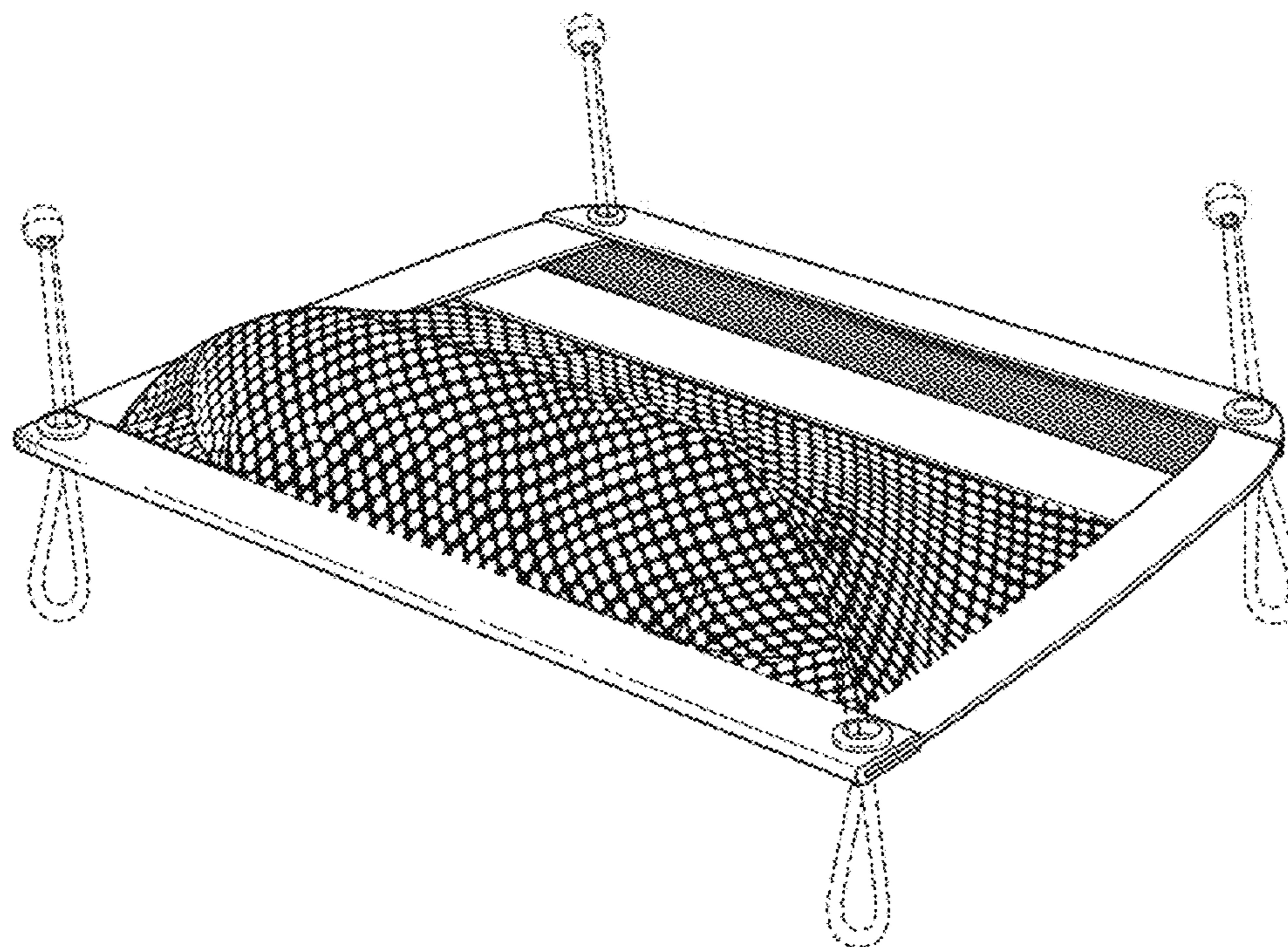
(57) **CLAIM**
The ornamental design for a seat arm pouch, as shown and described.

DESCRIPTION

FIG. 1 is a perspective view of the seat arm pouch of the present invention showing the top side of the seat arm pouch; FIG. 2 is a perspective view of the seat arm pouch of the present invention showing the bottom side of the seat arm pouch; and, FIG. 3 is a perspective view of the present invention showing an item within the seat arm pouch. The broken lines showing tie loops are for the purposes of illustrating environment and form no part of the claimed design.

1 Claim, 2 Drawing Sheets

- (56) **References Cited**
U.S. PATENT DOCUMENTS
D265,447 S * 7/1982 Harris D6/553
D271,917 S * 12/1983 Magis D3/274
4,773,708 A * 9/1988 Nastu 297/423.36
4,854,637 A * 8/1989 McCree 297/188.2
4,863,003 A * 9/1989 Carter 190/8
5,012,963 A * 5/1991 Rosenbaum 224/407
D321,606 S * 11/1991 McKinney et al. D6/397



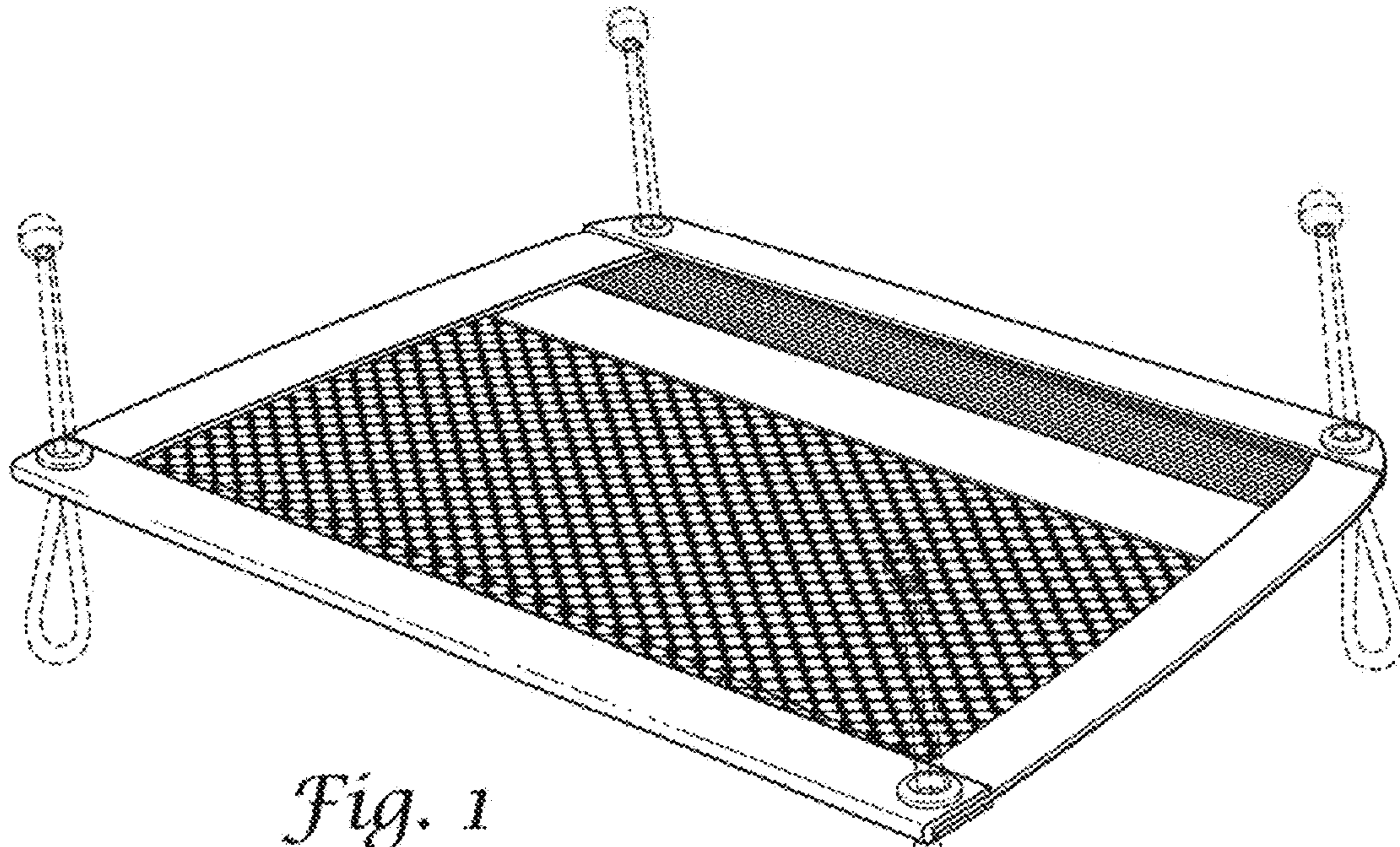


Fig. 1

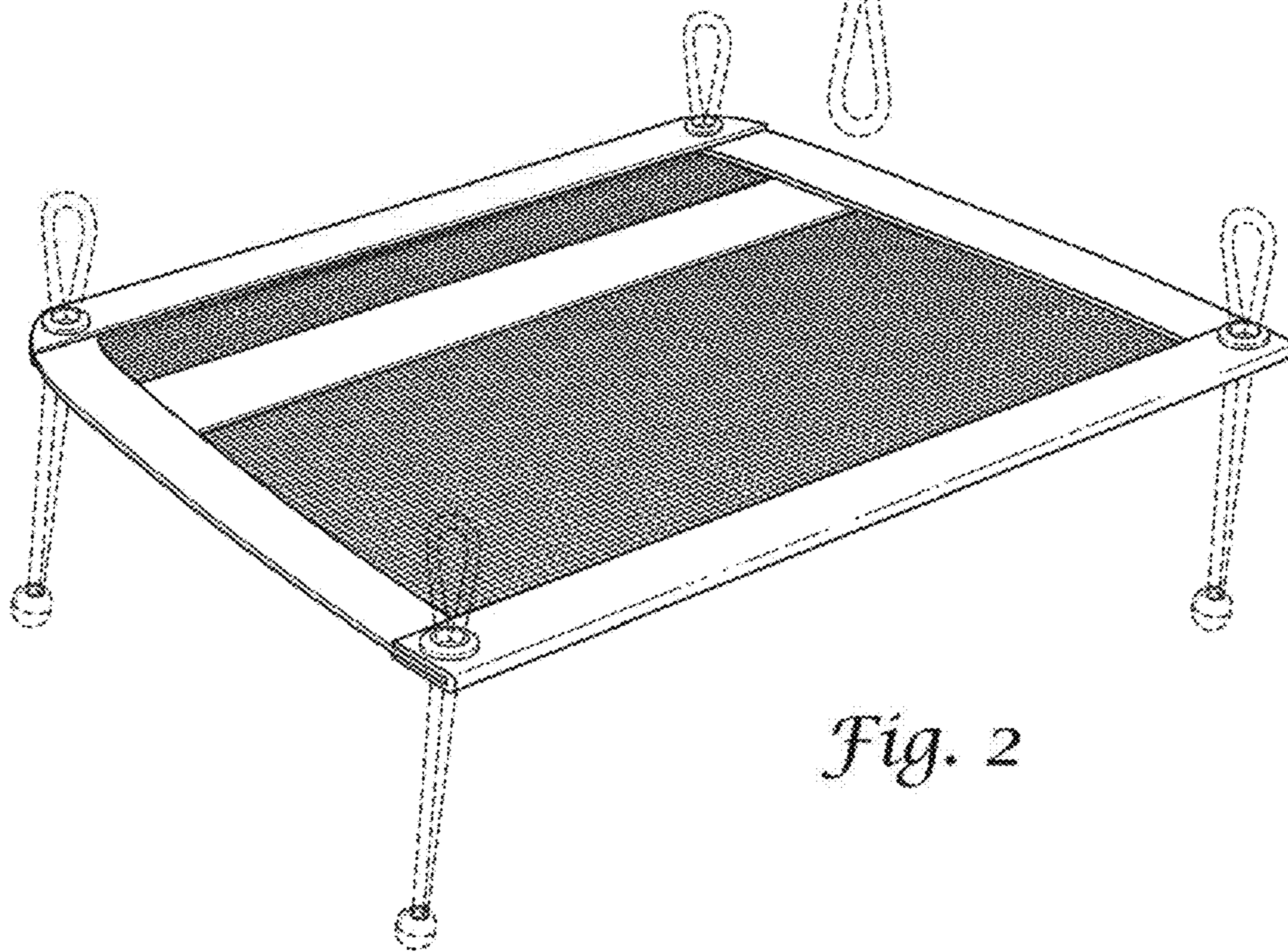


Fig. 2

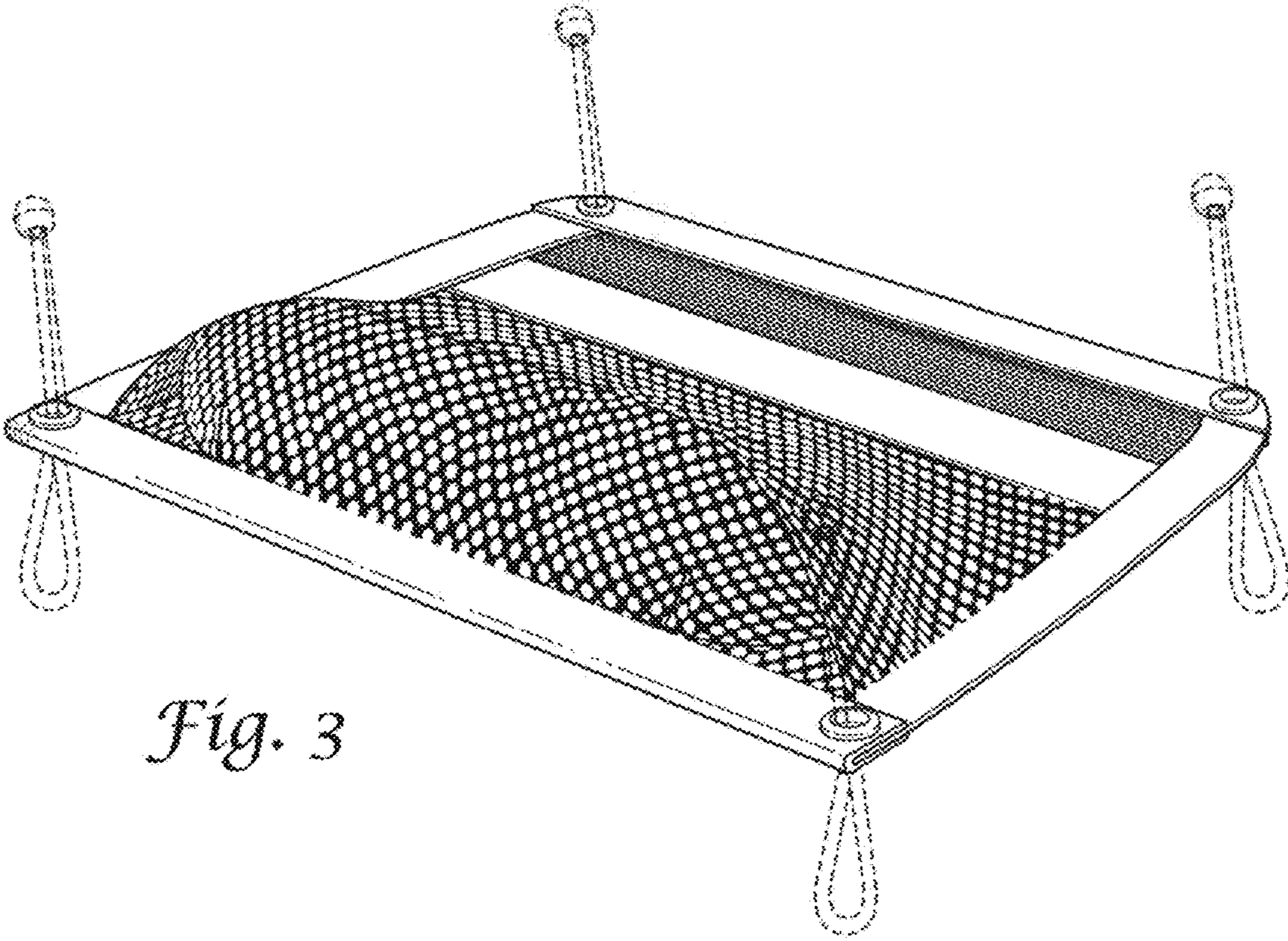


Fig. 3