



US00D731826S

(12) **United States Design Patent**
Kurniawan et al.

(10) **Patent No.:** **US D731,826 S**
(45) **Date of Patent:** **** Jun. 16, 2015**

(54) **MERCHANDISING CONTAINERS FOR VEHICLE LIGHTS**

(71) Applicant: **WINSTON PRODUCTS LLC**,
Cleveland, OH (US)

(72) Inventors: **Colleen Renee Kurniawan**, Cleveland,
OH (US); **Winston Breeden, III**,
Chagrin Falls, OH (US)

(73) Assignee: **WINSTON PRODUCTS LLC**,
Cleveland, OH (US)

(**) Term: **14 Years**

(21) Appl. No.: **29/479,367**

(22) Filed: **Jan. 15, 2014**

(51) **LOC (10) Cl.** **06-06**

(52) **U.S. Cl.**
USPC **D6/682.1**

(58) **Field of Classification Search**
USPC D6/672, 675, 682, 682.1, 682.2;
D9/414, 415, 418; 206/223, 303, 351,
206/389, 461-471, 579, 775, 769, 806;
229/100, 108, 111, 116.1, 406
CPC B65D 21/02; A47B 87/0276
See application file for complete search history.

(56) **References Cited**

U.S. PATENT DOCUMENTS

D249,639 S * 9/1978 Hogg et al. D9/415
D282,821 S * 3/1986 Noyes D9/415

D352,894 S * 11/1994 Halaburda et al. D9/415
D420,905 S * 2/2000 Adkins D9/415
D441,646 S * 5/2001 Adkins D9/415
D470,047 S * 2/2003 Lee et al. D9/415
D480,963 S * 10/2003 Lee D9/415
D541,646 S * 5/2007 Hayes et al. D9/415
D576,871 S * 9/2008 Sheppard et al. D9/418
D590,257 S * 4/2009 Matsumoto et al. D9/457
D643,819 S * 8/2011 Joo et al. D13/180
D671,829 S * 12/2012 Sung D9/418
D697,398 S * 1/2014 Guevara-Ludt D9/415
D699,564 S * 2/2014 Petzl D9/418
D704,358 S * 5/2014 Joo et al. D26/1

* cited by examiner

Primary Examiner — Kelley Donnelly

(74) *Attorney, Agent, or Firm* — Cooper Legal Group, LLC

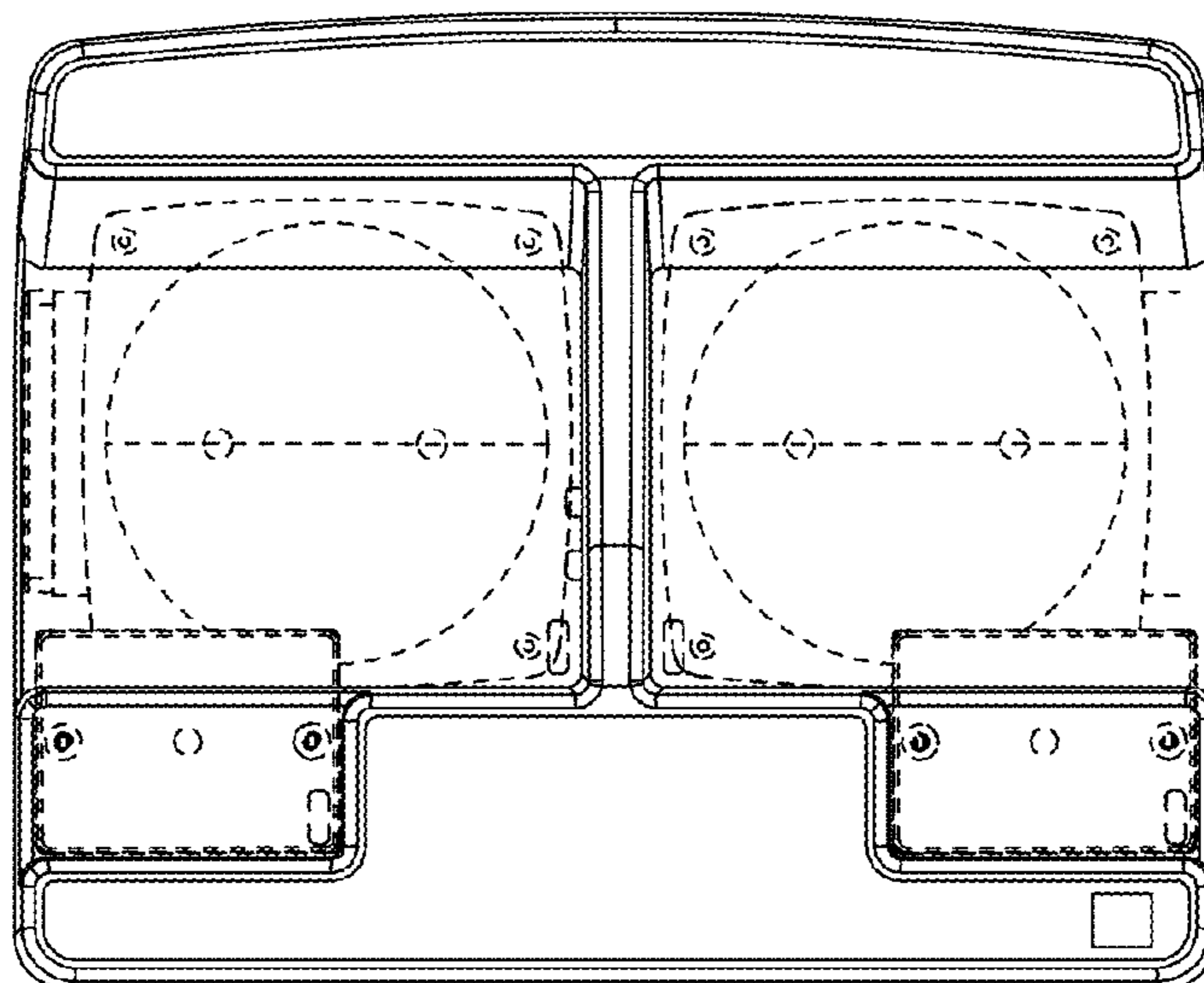
(57) **CLAIM**

The ornamental design for merchandising containers for vehicle lights, as shown and described.

DESCRIPTION

FIG. 1 is a front-side view of a merchandising container for vehicle lights showing the new design;
FIG. 2 is a rear-side view thereof;
FIG. 3 is a right-side view thereof;
FIG. 4 is a left-side view thereof;
FIG. 5 is a top-side view thereof;
FIG. 6 is a bottom-side view thereof; and,
FIG. 7 is a perspective view thereof.
The broken lines are for purpose of illustrating the environment of the article only and form no part of the claimed design.

1 Claim, 7 Drawing Sheets



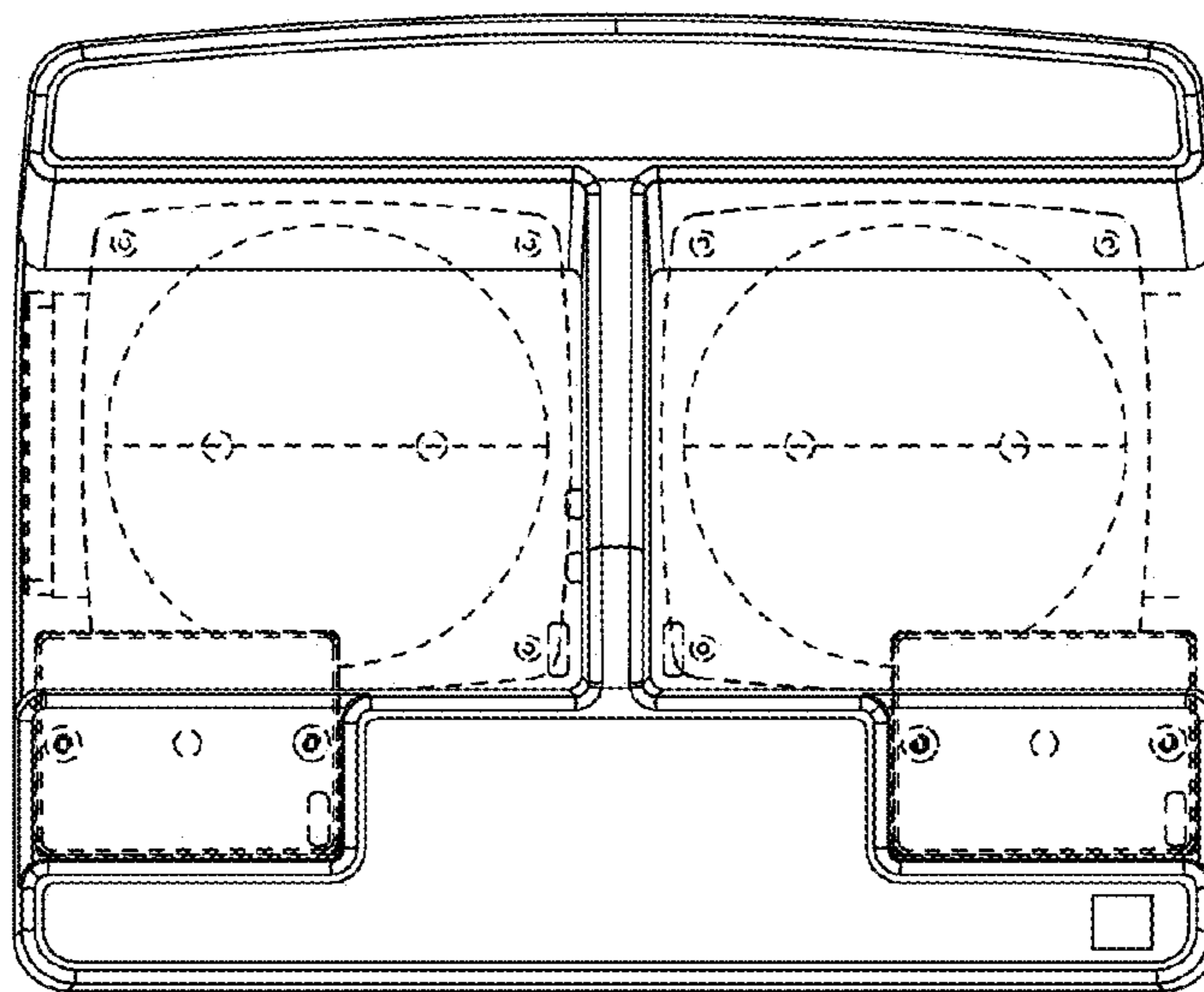


FIG. 1

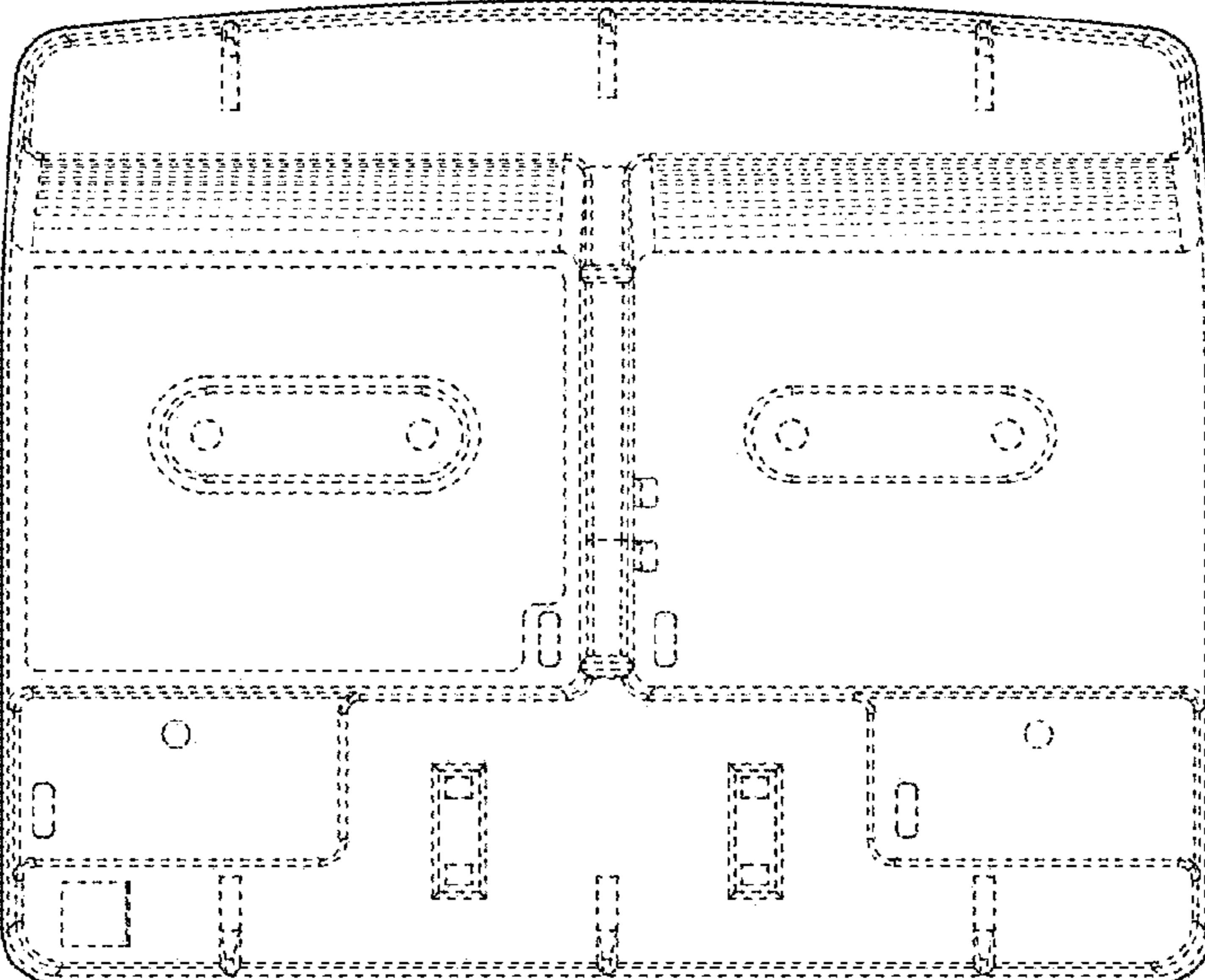


FIG. 2

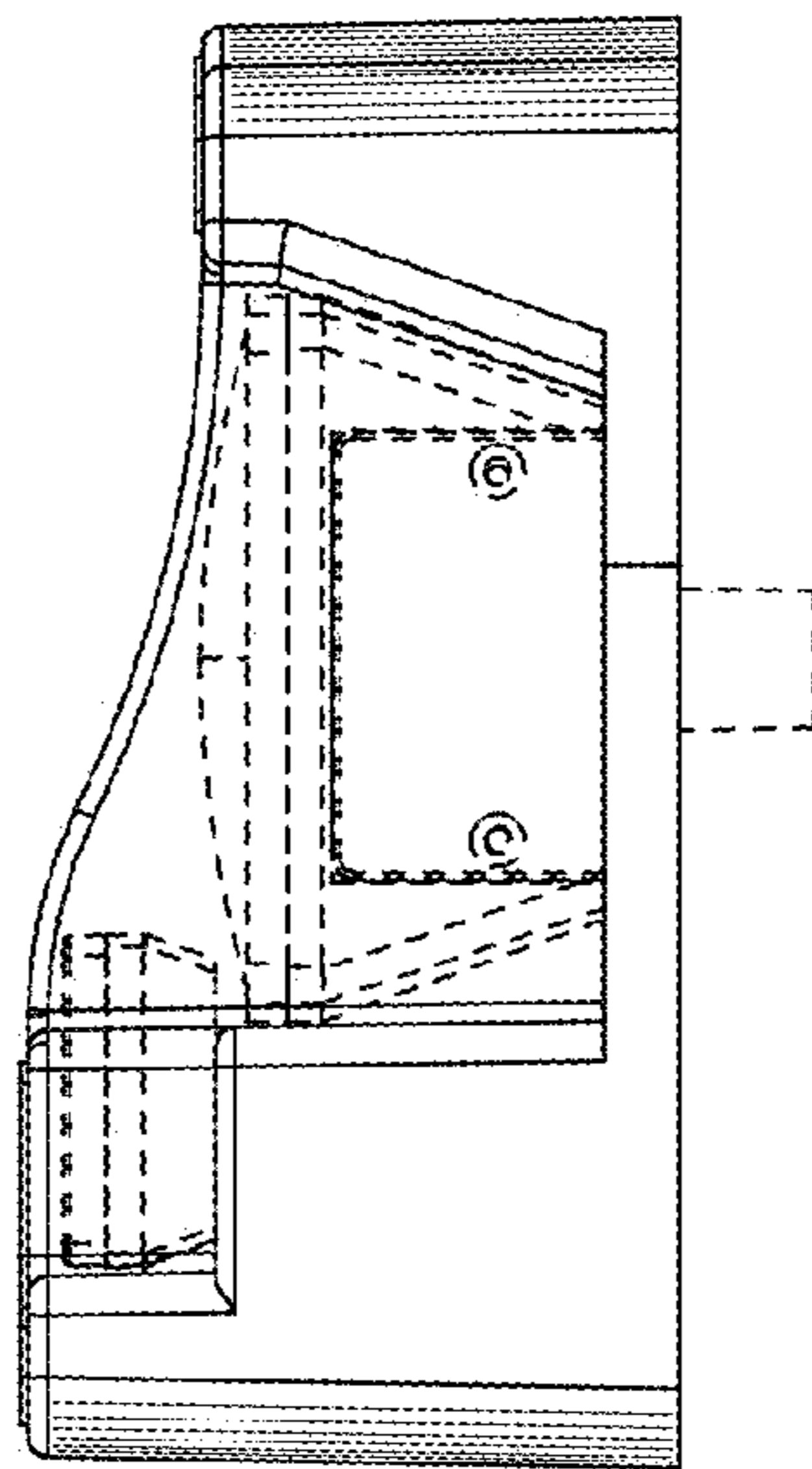


FIG. 3

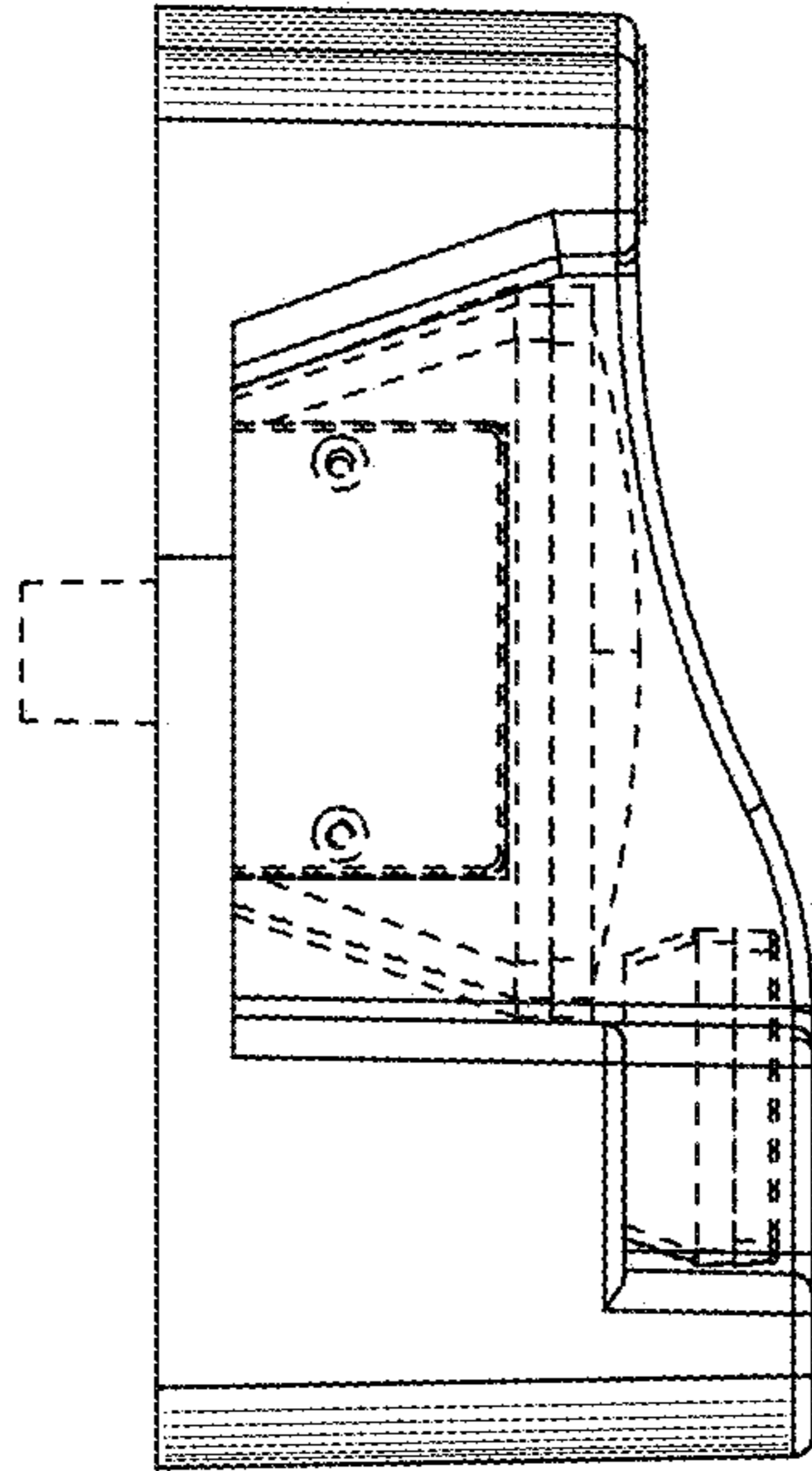


FIG. 4

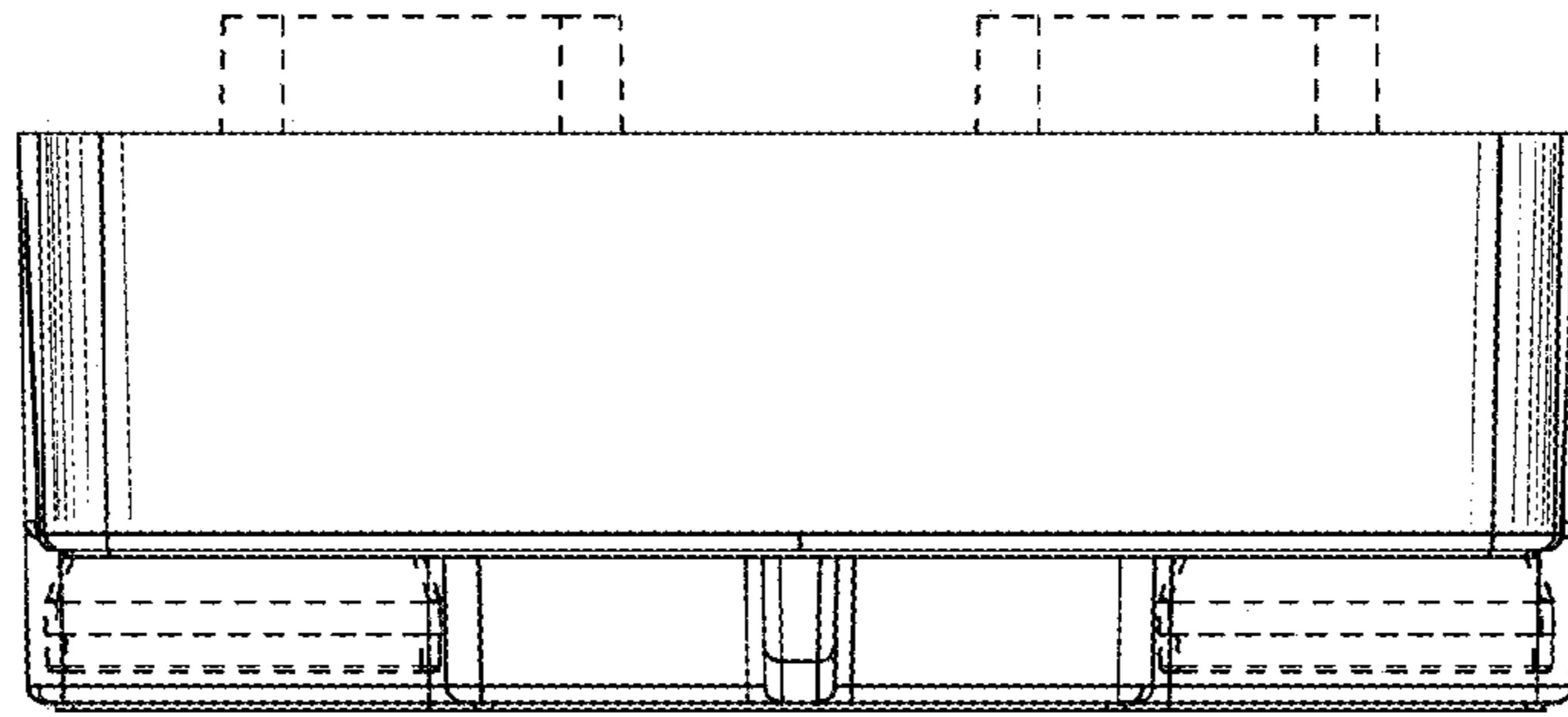


FIG. 5

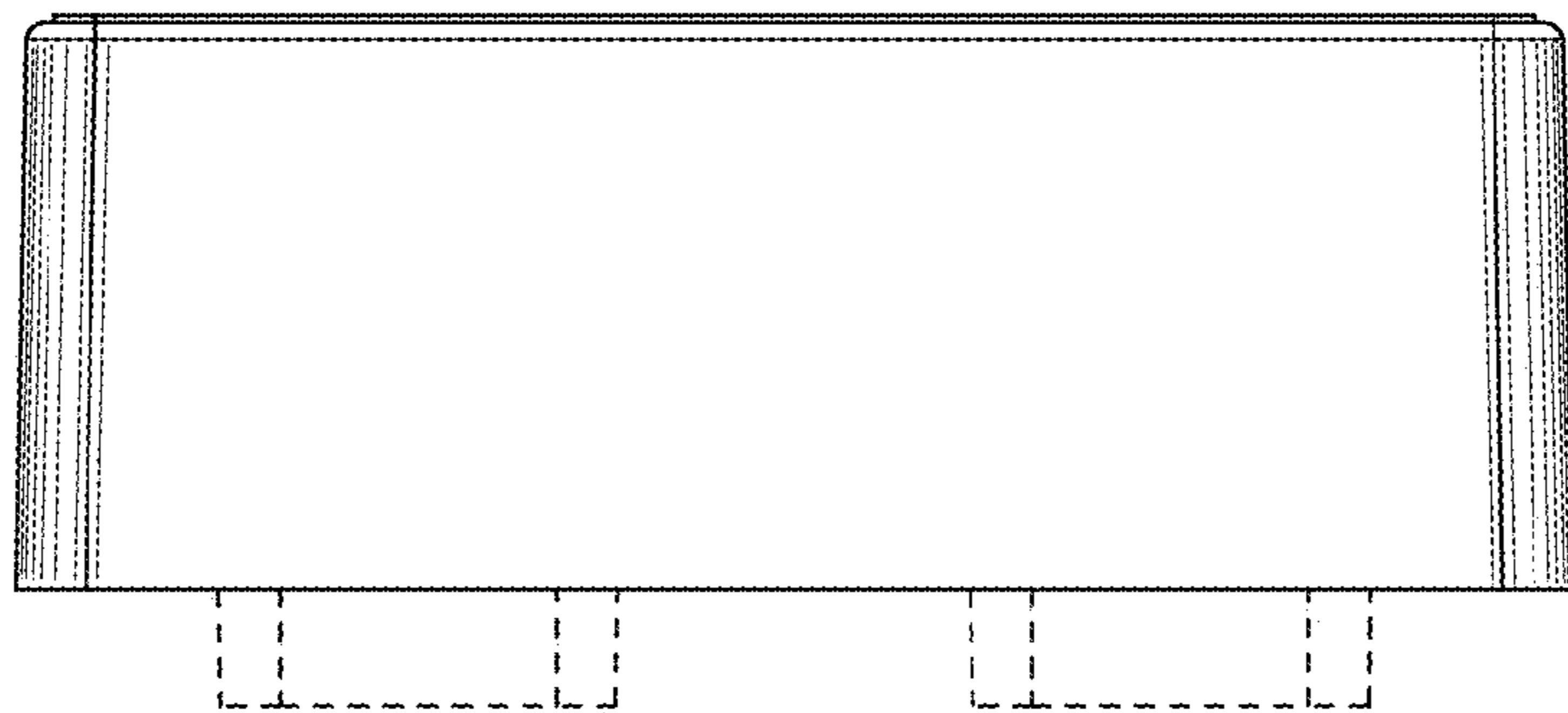


FIG. 6

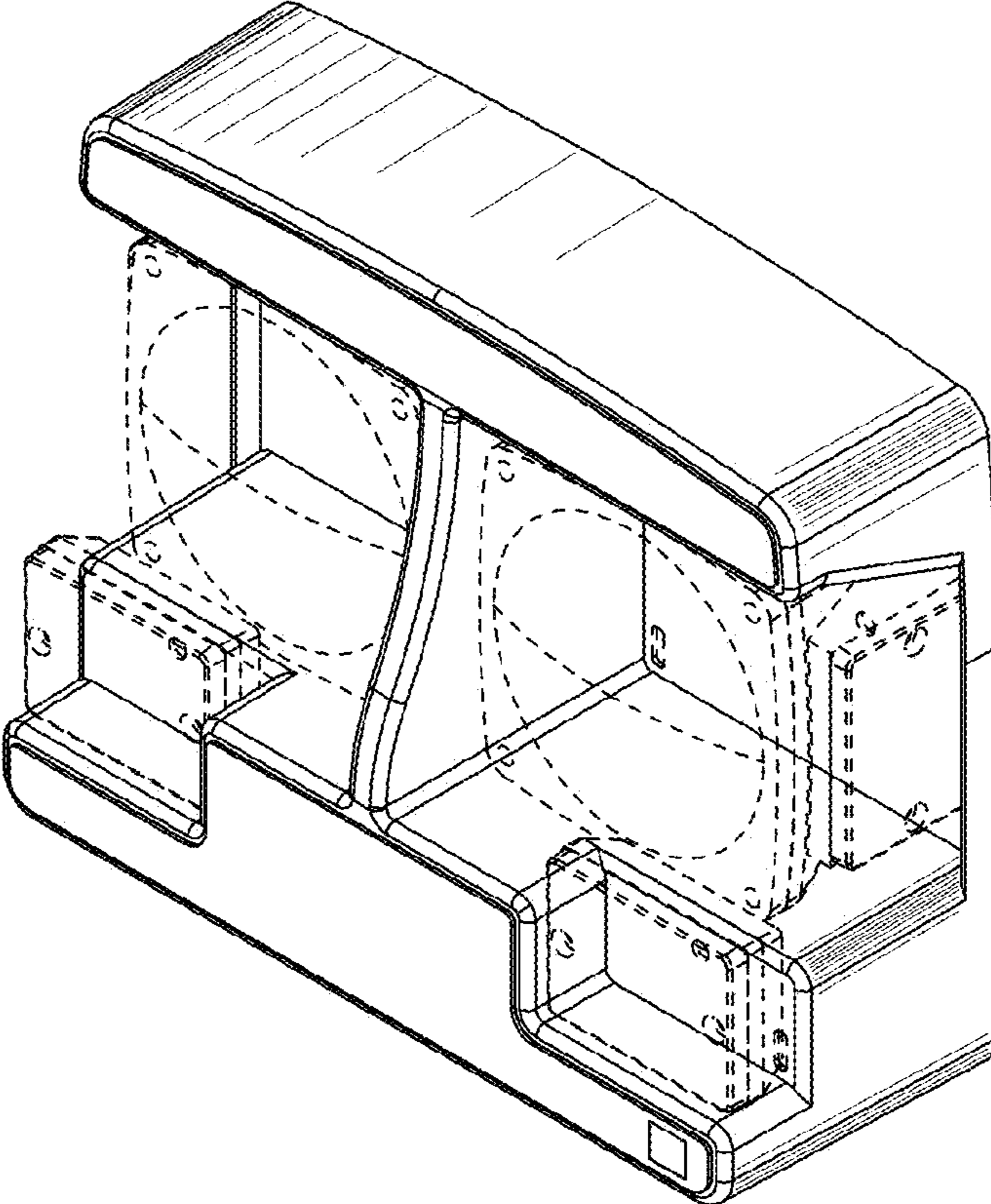


FIG. 7