



US00D731822S

(12) **United States Design Patent**  
**Klein et al.**

(10) **Patent No.:** **US D731,822 S**  
(45) **Date of Patent:** **\*\* Jun. 16, 2015**

- (54) **FABRIC LOCKING SHELF**
- (71) Applicant: **LYNK, INC.**, Lenexa, KS (US)
- (72) Inventors: **Richard B. Klein**, Overland Park, KS (US); **Mark A. Etter**, Independence, MO (US); **Brandon D. Wood**, Independence, MO (US); **Zheng Song**, Olathe, KS (US)
- (73) Assignee: **LYNK, INC.**, Lenexa, KS (US)
- (\*\*) Term: **14 Years**
- (21) Appl. No.: **29/501,303**
- (22) Filed: **Sep. 3, 2014**
- (51) **LOC (10) Cl.** ..... **06-06**
- (52) **U.S. Cl.**  
USPC ..... **D6/675**
- (58) **Field of Classification Search**  
USPC ..... D6/409-411, 465, 477-479, 630, 675, D6/675.1; 108/1, 3, 59-60, 93-94, 96, 108/147.11, 147.17, 150; 211/85.3, 34, 36, 211/42, 50, 70, 90.01, 90.04, 115, 144, 211/163; 312/9.47, 9.1, 9.54  
CPC ..... A47B 96/02; A47F 5/0807  
See application file for complete search history.

- D463,182 S 9/2002 Klein et al.
- D466,337 S \* 12/2002 Feng ..... D6/485
- 6,533,127 B1 3/2003 Klein et al.
- D476,167 S 6/2003 Klein et al.
- D477,933 S \* 8/2003 Wood et al. .... D6/437
- 6,637,603 B2 10/2003 Klein et al.
- D493,289 S 7/2004 Klein et al.

(Continued)

**OTHER PUBLICATIONS**

U.S. Appl. No. 29/501,314, filed Sep. 3, 2014, Klein et al.

(Continued)

*Primary Examiner* — Kelley Donnelly

(74) *Attorney, Agent, or Firm* — Stinson Leonard Street LLP

(57) **CLAIM**

The ornamental design for a fabric locking shelf, as shown and described.

**DESCRIPTION**

FIG. 1 is a front perspective view of the fabric locking shelf; FIG. 2 is a right side elevational view of the fabric locking shelf of FIG. 1; FIG. 3 is a left side elevational view of the fabric locking shelf of FIG. 1; FIG. 4 is a top plan view of the fabric locking shelf of FIG. 1; FIG. 5 is a bottom plan view of the fabric locking shelf of FIG. 1; FIG. 6 is rear elevational view of the fabric locking shelf of FIG. 1; and, FIG. 7 is a front elevational view of the fabric locking shelf of FIG. 1.

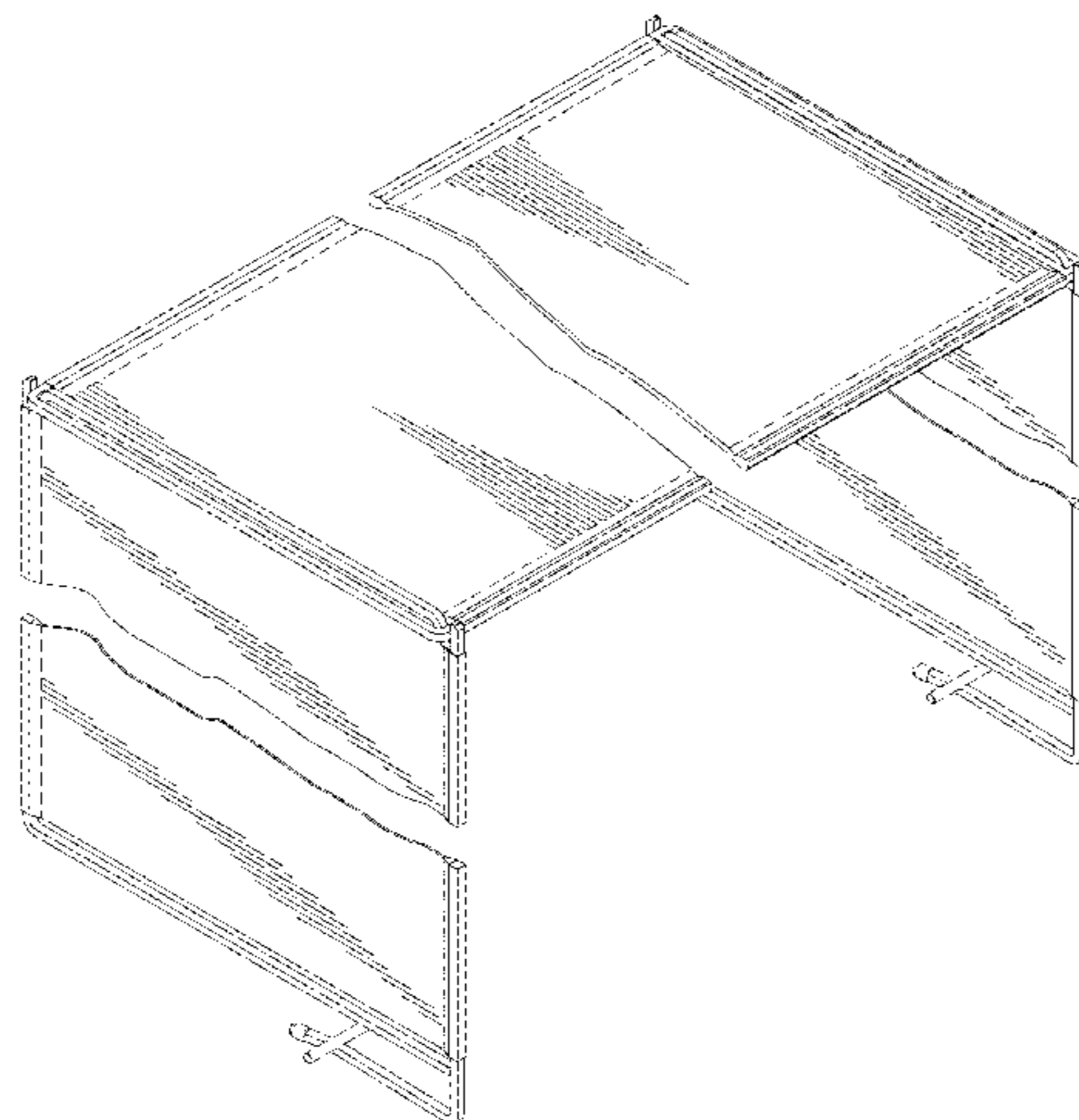
The broken lines showing features and stitching is included for the purpose of illustrating environment of the design and forms no part of the claimed design. The breaks shown in FIGS. 1 through 7 are not part of the claimed design and represent that no particular length is claimed.

**1 Claim, 4 Drawing Sheets**

(56) **References Cited**

**U.S. PATENT DOCUMENTS**

- 3,289,614 A \* 12/1966 Frazier ..... 108/91
- 4,444,320 A \* 4/1984 Chap ..... 211/134
- 4,841,878 A \* 6/1989 Kriegsman ..... 108/90
- 5,695,073 A 12/1997 Klein et al.
- D402,623 S \* 12/1998 Rosenfeld ..... D12/415
- 5,855,279 A 1/1999 Klein et al.
- D406,964 S \* 3/1999 Lewis ..... D6/485
- 6,123,035 A \* 9/2000 Pfister ..... 108/180
- D457,353 S 5/2002 Klein et al.
- D458,772 S 6/2002 Klein et al.



(56)

References Cited

U.S. PATENT DOCUMENTS

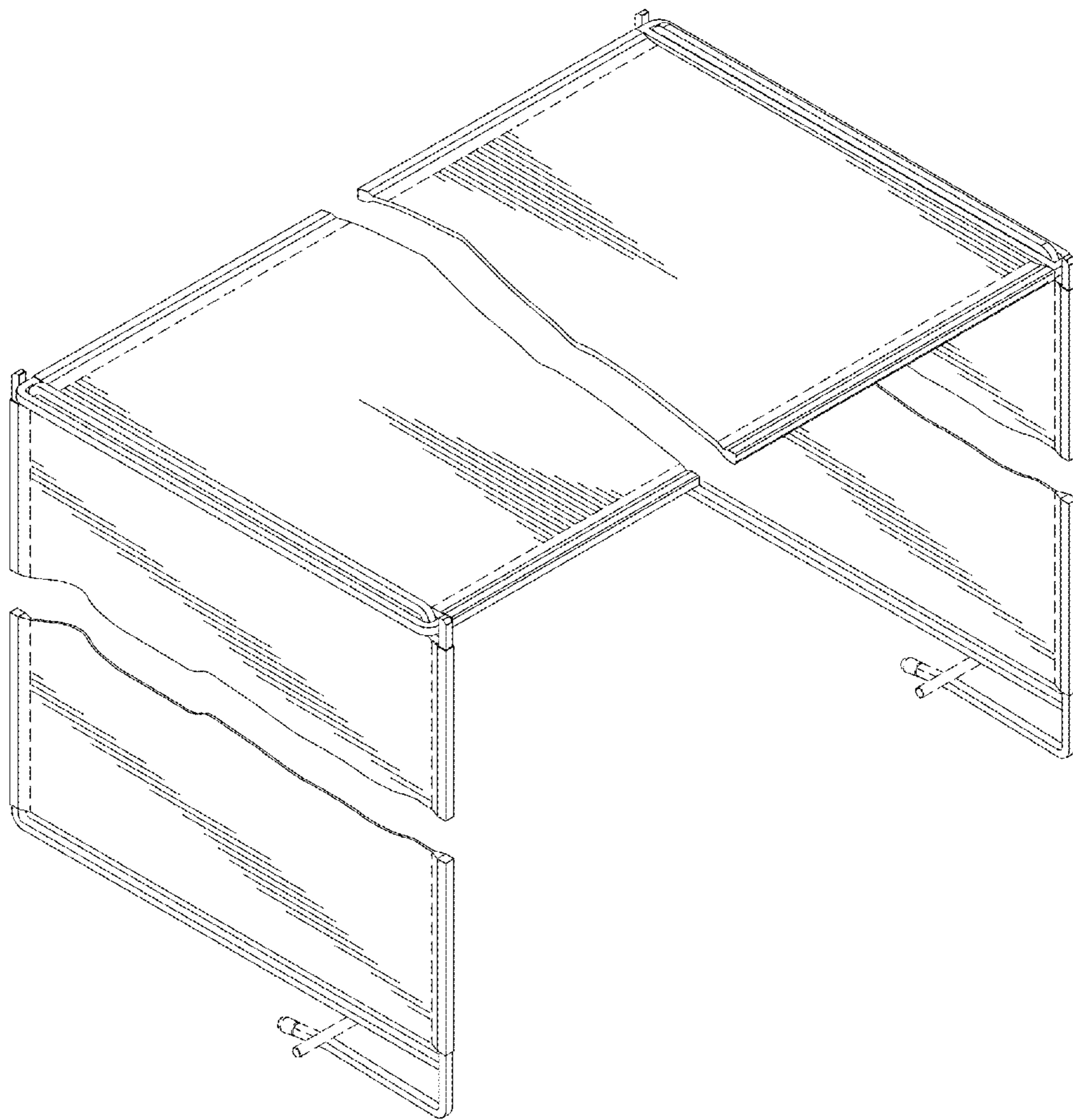
6,793,080	B2	9/2004	Klein et al.	
6,877,615	B2	4/2005	Klein et al.	
D507,137	S	7/2005	Klein et al.	
6,926,157	B2	8/2005	Klein et al.	
RE39,638	E	5/2007	Klein et al.	
D602,715	S	10/2009	Klein et al.	
D602,716	S	10/2009	Klein et al.	
D609,500	S *	2/2010	Fieldhouse et al.	D6/476
D611,735	S *	3/2010	Stukenberg	D6/484
D619,822	S *	7/2010	Damgaard-Sorensen	D6/406.1
D635,379	S	4/2011	Klein et al.	
D679,924	S	4/2013	Klein et al.	
D693,610	S *	11/2013	Denby et al.	D6/690
D694,557	S *	12/2013	Rodgers	D6/675
D699,485	S *	2/2014	Hsu et al.	D6/675.1
D703,467	S *	4/2014	Ho et al.	D6/675.1
D704,482	S *	5/2014	Hsu et al.	D6/675.1
D716,077	S *	10/2014	Hsu	D6/675

OTHER PUBLICATIONS

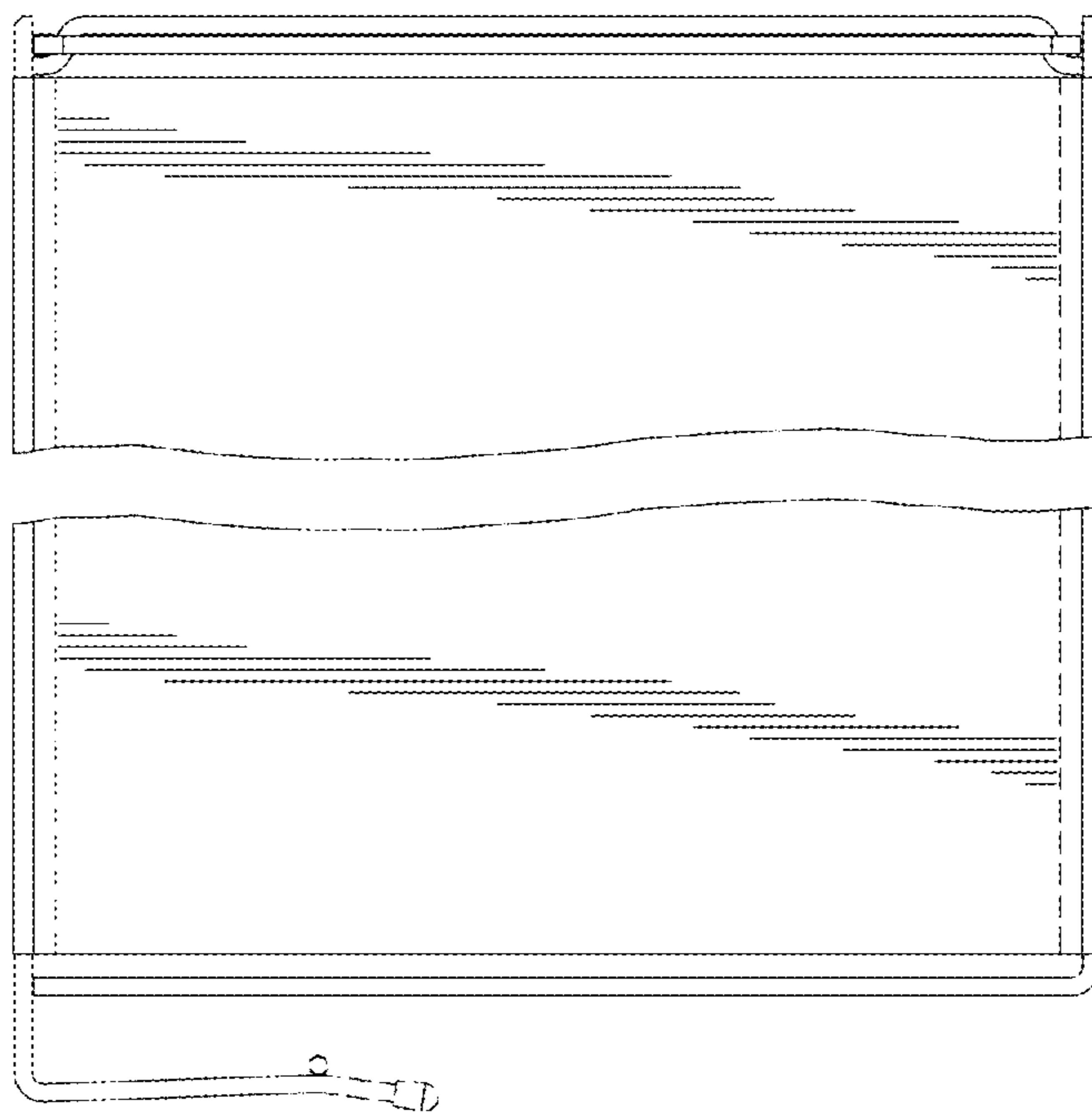
U.S. Appl. No. 29/483,751, filed Mar. 3, 2014, Klein et al.  
 U.S. Appl. No. 13/615,948, filed Sep. 14, 2012, Klein et al.  
 Website Advertisement, Target, "Threshold 5 Tier OTD Shoe Rack", downloaded from the internet on Nov. 8, 2013 at [www.target.com/p/threshold-5-tier-otd-shoe-rack/-/A-14450953#prodSlot=d1p\\_medium\\_1\\_15&term=fabric+shoe+rack](http://www.target.com/p/threshold-5-tier-otd-shoe-rack/-/A-14450953#prodSlot=d1p_medium_1_15&term=fabric+shoe+rack) (1 pg).  
 Website Advertisement, neatfreak!, "21 Pair Over the Door (OTD) Shoe Organizer", downloaded from the internet on Nov. 8, 2013 at [www.neatfreak.com/index/php/site/products/closetmax\\_21\\_pair\\_shoe\\_organizer](http://www.neatfreak.com/index/php/site/products/closetmax_21_pair_shoe_organizer) (1 pg).  
 Amazon Website Advertisement, Lynk, "Lynk 4-Shelf Organizer", downloaded from the internet on Nov. 8, 2013 at [www.amazon.com/Lynk-640200-4-Shelf-Oranizer/dp/B00AYROSSM](http://www.amazon.com/Lynk-640200-4-Shelf-Oranizer/dp/B00AYROSSM) (1 pg).  
 Website Advertisement, The Container Store, "Bronze Carrie Stacking Shoe Shelf by Umbra", downloaded from the internet on Nov. 8, 2013 at [www.containerstore.com/shop?productID=10035601&N- &Ntt-umber+shoe+shelf](http://www.containerstore.com/shop?productID=10035601&N- &Ntt-umber+shoe+shelf) (1 pg).

Website Advertisement, Bed Bath & Beyond, "6—Tier Storage Shoe Rack", downloaded from the internet on Nov. 8, 2013 at [www.bedbathandbeyond.com/store/product/6-Tier-Storage-shoe-Rack/1040924755?Keyword=fabric+shelf](http://www.bedbathandbeyond.com/store/product/6-Tier-Storage-shoe-Rack/1040924755?Keyword=fabric+shelf) (1 pg).  
 Amazon Website Advertisement, Whitmore, "Whitmor 6779-4464 Closet Organizer Collection 3 Tier Shelves 2 Collapsible Drawers", downloaded from the internet on Nov. 8, 2013 at [www.amazon.com/Whitmor-6779-4664-Organizer-Collection-Collapsible/dp/B009KB7Z51/ref=sr\\_1\\_38?ie=UTF8&gid=1383932890&sr=8-38&keywords=fabric+shelf](http://www.amazon.com/Whitmor-6779-4664-Organizer-Collection-Collapsible/dp/B009KB7Z51/ref=sr_1_38?ie=UTF8&gid=1383932890&sr=8-38&keywords=fabric+shelf) (1 pg).  
 Amazon Website Advertisement, Whitmore, "Whitmor Storage Rack 4 Tier Wood w/Fabric Shelves—Espresso/6026-4463-ESPR", downloaded from the internet on Nov. 8, 2013 at [www.amazon.com/WHITMORE-Storage-Rack-Fabric-Shelves/dp/BOOG6MX608/ref-sr\\_1\\_43?ie=UTF8&qid=1383932937&sr=8-43&keywords=fabric+shelf](http://www.amazon.com/WHITMORE-Storage-Rack-Fabric-Shelves/dp/BOOG6MX608/ref-sr_1_43?ie=UTF8&qid=1383932937&sr=8-43&keywords=fabric+shelf) (1 pg).  
 Amazon Website Advertisement, Whitmore, "Whitmor 6170-4297 Spacemaker Garment Rack and Shelves", downloaded from the internet on Nov. 8, 2013 at [www.amazon.com/neatfreak-U7955-E-Fashion-Tier-Shelf/dp/B004KHOQHW/ref-sr\\_1\\_239?ie=UTF8&qid=1383933165&sr=8-239&keywords=fabric+shelf](http://www.amazon.com/neatfreak-U7955-E-Fashion-Tier-Shelf/dp/B004KHOQHW/ref-sr_1_239?ie=UTF8&qid=1383933165&sr=8-239&keywords=fabric+shelf) (1 pg).  
 Amazon Website Advertisement, neaffreak, "neatfreak U7955-E Fashion 4 Tier Shoe Shelf", downloaded from the internet on Nov. 8, 2013 at [www.amazon.com/Lynk-640200-4-Shelf-Oranizer/dp/B00AYROSSM](http://www.amazon.com/Lynk-640200-4-Shelf-Oranizer/dp/B00AYROSSM) (1 pg).  
 Website Advertisement, neaffreak!, "4 Tier Fashion Shoe Shelf", downloaded from the internet on Nov. 8, 2013 at [www.neatfreak.com/index/php/site/products/4\\_tier\\_fashion\\_shoe\\_shelf](http://www.neatfreak.com/index/php/site/products/4_tier_fashion_shoe_shelf) (1 pg).  
 Website Advertisement, Richards Homewares, downloaded from the internet on Nov. 8, 2013 at [www.richardshomewares.com](http://www.richardshomewares.com) (1 pg).  
 Website Advertisement, neaffreak!, "2 Tier Oval Multi Rack—tools", downloaded from the internet on Nov. 8, 2013 at [www.neatfreak.com/index/php/site/products/2\\_tier\\_oval\\_multi\\_rack\\_-\\_tools](http://www.neatfreak.com/index/php/site/products/2_tier_oval_multi_rack_-_tools) (1 pg).  
 Website Advertisement, neatfreak!, "4 Tier Oval Sling Shoe Rack—u clip", downloaded from the internet on Nov. 8, 2013 at [www.neatfreak.com/index/php/site/products/4\\_tier\\_oval\\_sling\\_shoe\\_rack\\_-\\_u\\_clip](http://www.neatfreak.com/index/php/site/products/4_tier_oval_sling_shoe_rack_-_u_clip) (1 pg).

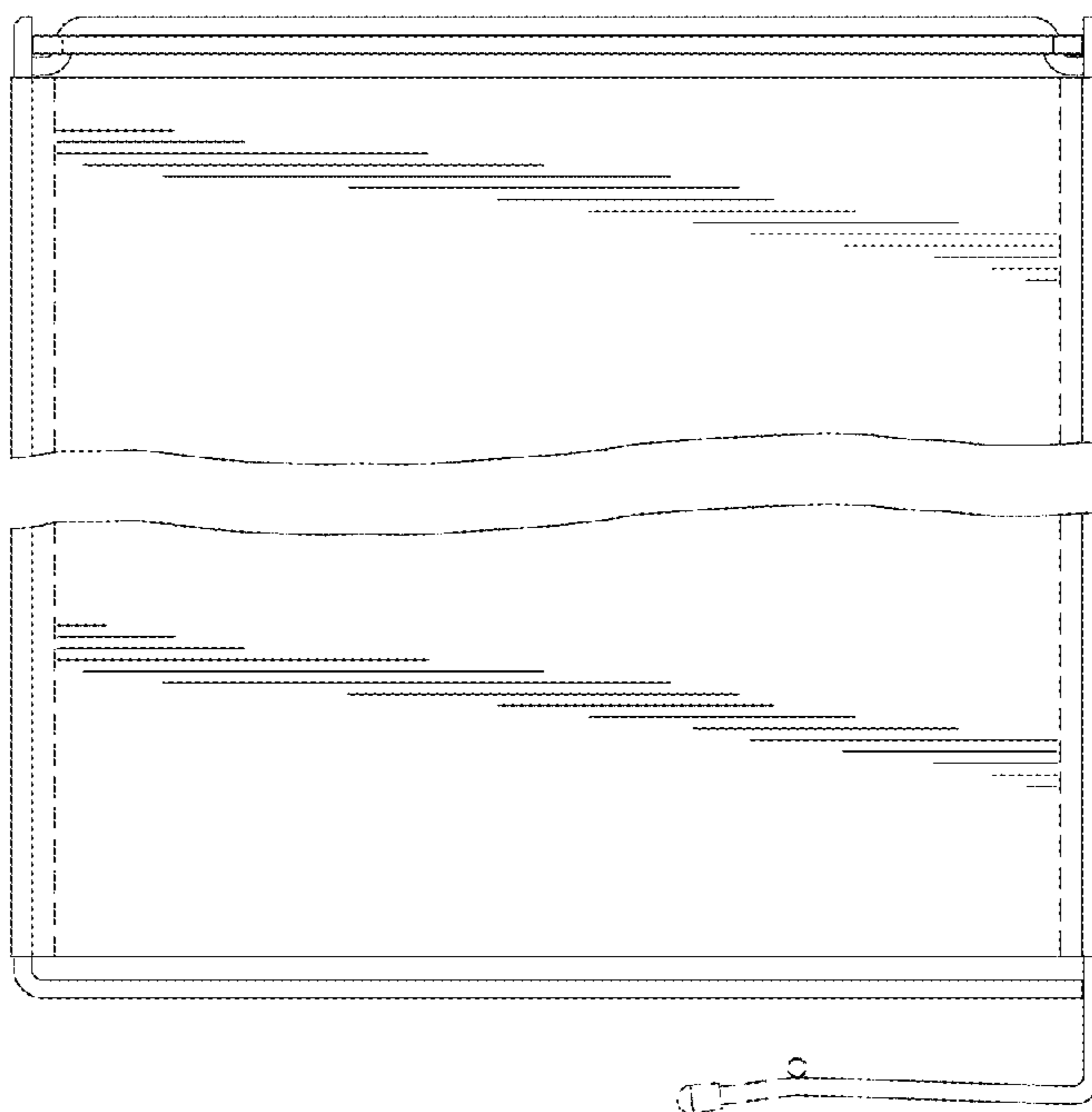
\* cited by examiner



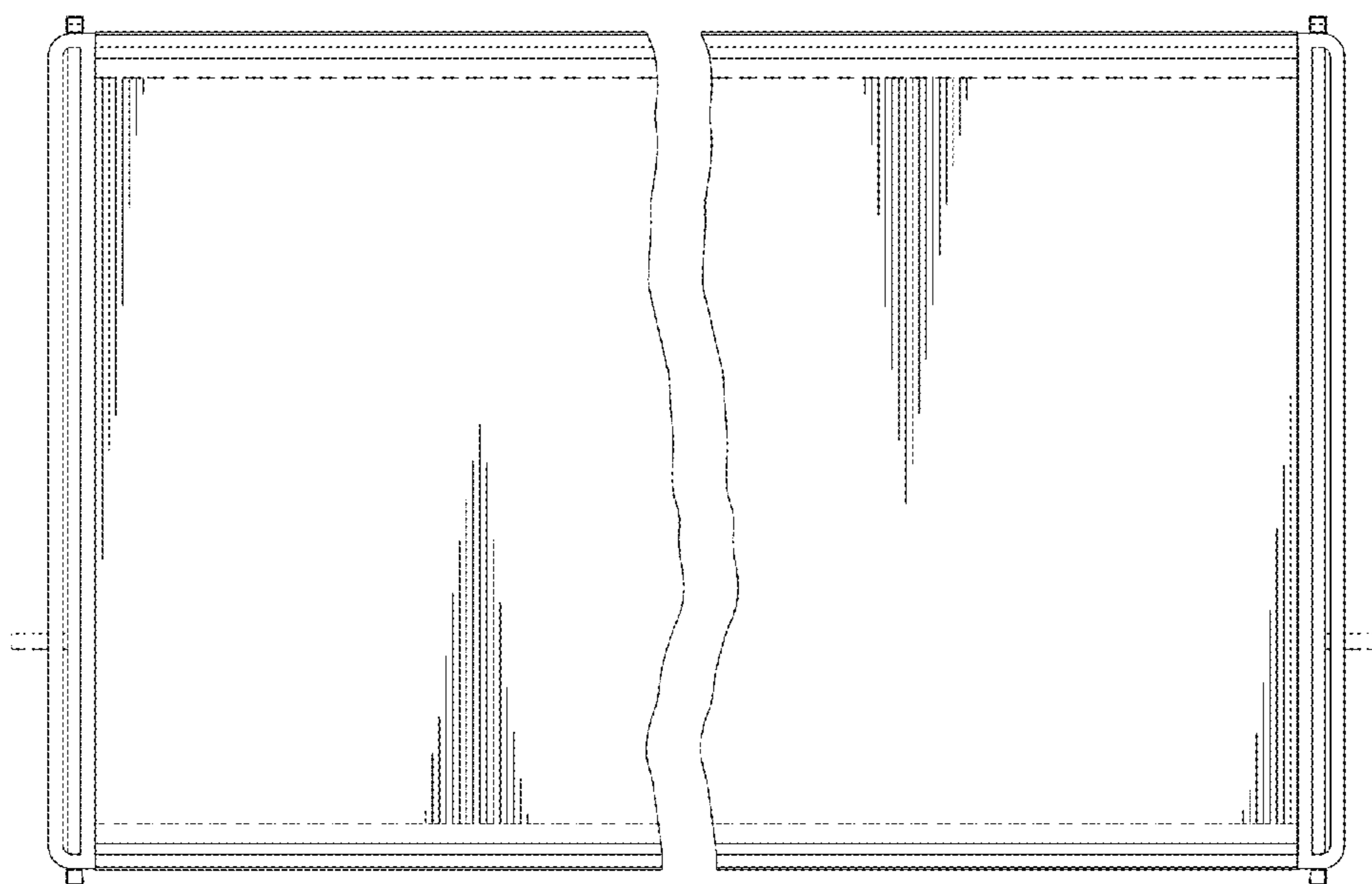
*FIG. 1*



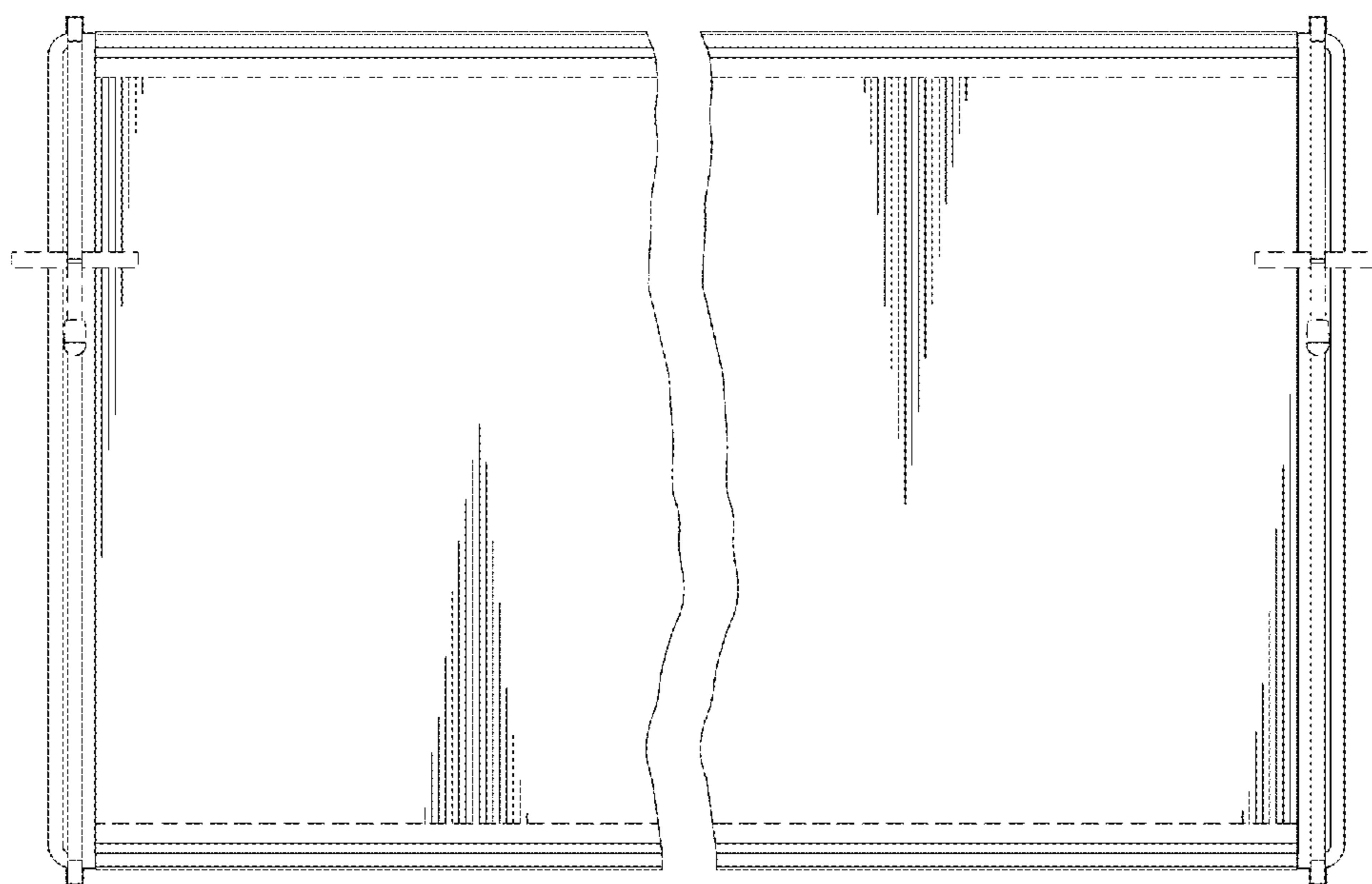
**FIG. 2**



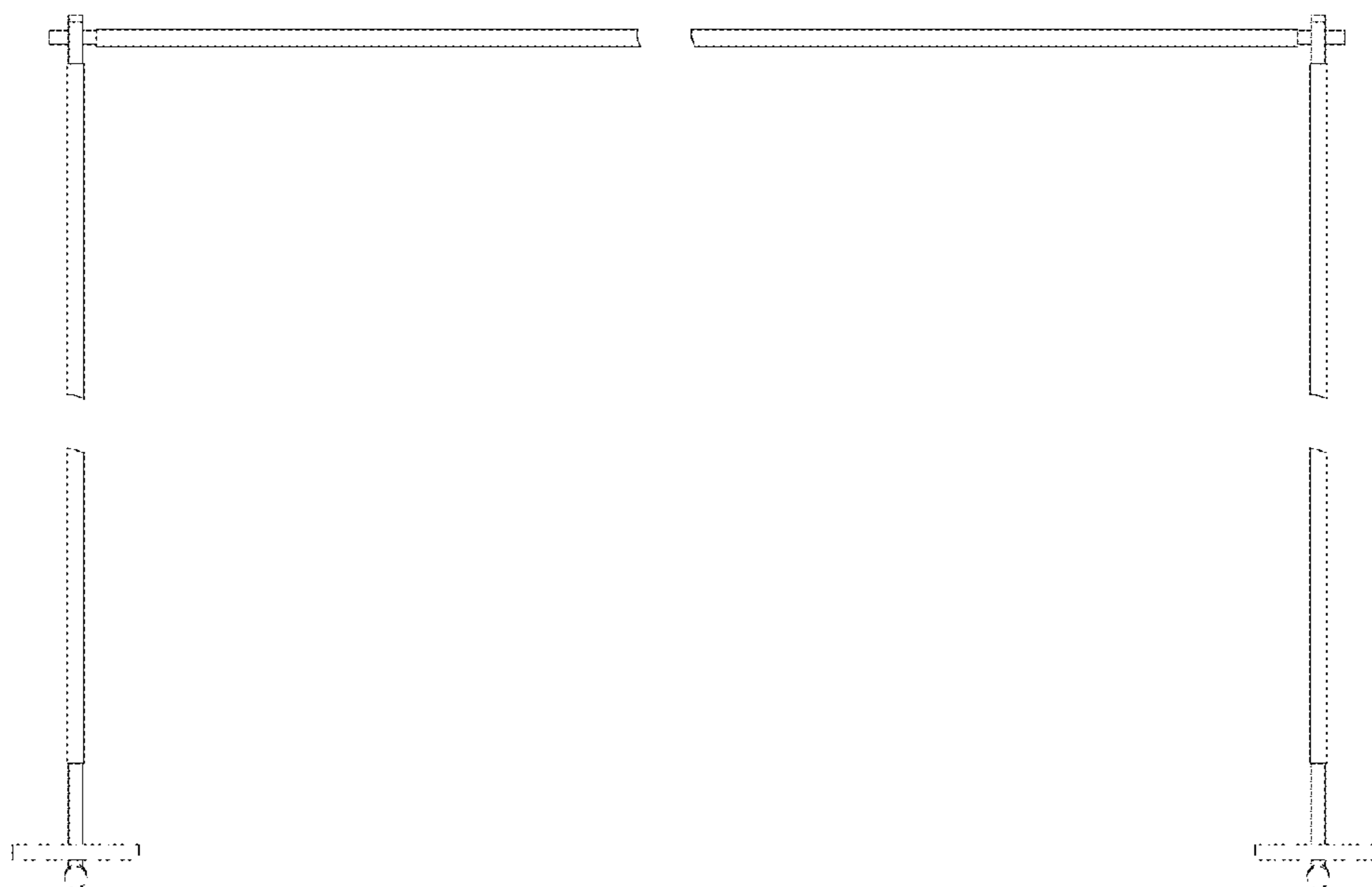
**FIG. 3**



*FIG. 4*



*FIG. 5*



*FIG. 6*



*FIG. 7*