



US00D731821S

(12) **United States Design Patent**  
**Hosoya**

(10) **Patent No.:** **US D731,821 S**  
(45) **Date of Patent:** **\*\* Jun. 16, 2015**

(54) **TABLE**

(71) Applicant: **OKAMURA CORPORATION**,  
Yokohama-shi, Kanagawa (JP)

(72) Inventor: **Rara Hosoya**, Yokohama (JP)

(73) Assignee: **Okamura Corporation**, Kanagawa (JP)

(\*\*) Term: **14 Years**

(21) Appl. No.: **29/483,891**

(22) Filed: **Mar. 4, 2014**

(30) **Foreign Application Priority Data**

Sep. 6, 2013 (JP) ..... 2013-020676

(51) **LOC (10) Cl.** ..... **06-03**

(52) **U.S. Cl.**  
USPC ..... **D6/650; D6/656.16**

(58) **Field of Classification Search**  
USPC ..... D6/650, 656, 656.1, 656.11, 656.13,  
D6/656.16, 656.17, 656.18, 709.2, 702.21,  
D6/710, 708.16, 696, 696.2, 696.3  
CPC ..... A47B 91/00; A47B 13/10; A47B 17/00;  
A47B 17/0003; A47B 21/00; A47B 21/02;  
A47B 2097/006; A47B 2200/0027; A47B  
2200/0029

See application file for complete search history.

(56) **References Cited**

**U.S. PATENT DOCUMENTS**

4,248,161 A \* 2/1981 Adair et al. .... 108/6  
D473,078 S \* 4/2003 Haberman ..... D6/480

D474,356 S \* 5/2003 Bosman et al. .... D6/487  
D577,517 S \* 9/2008 Kumazawa ..... D6/499  
D681,979 S \* 5/2013 Keen et al. .... D6/691  
D691,223 S \* 10/2013 Hao ..... D21/694

\* cited by examiner

*Primary Examiner* — Janice Seeger

(74) *Attorney, Agent, or Firm* — Sughrue Mion, PLLC

(57) **CLAIM**

The ornamental design for a table, as shown and described.

**DESCRIPTION**

FIG. 1 is a perspective view from the front side of a table.  
FIG. 2 is a perspective view from the rear side thereof.  
FIG. 3 is a front elevation view thereof.  
FIG. 4 is a rear elevation view thereof.  
FIG. 5 is a right side elevation view thereof. A left side  
elevation view is a mirror image of the right side elevation  
view.  
FIG. 6 is a top plan view thereof.  
FIG. 7 is a bottom plan view thereof.  
FIG. 8 is a cross-sectional view taken along the line 8-8 in  
FIG. 3.  
FIG. 9 is a cross-sectional view taken along the line 9-9 in  
FIG. 3; and,  
FIG. 10 is a cross-sectional view taken along the line 10-10 in  
FIG. 6.

**1 Claim, 10 Drawing Sheets**

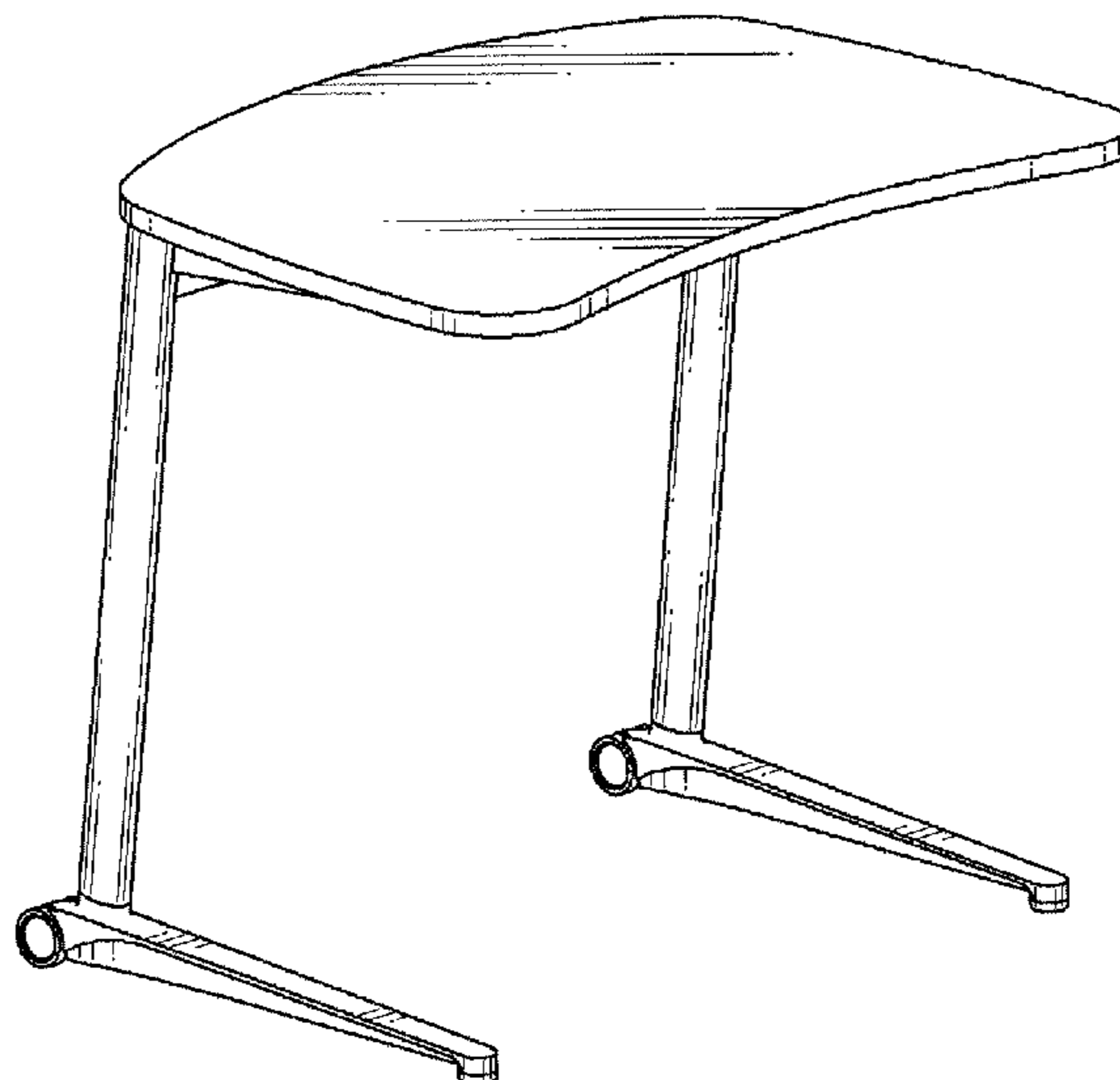


FIG. 1

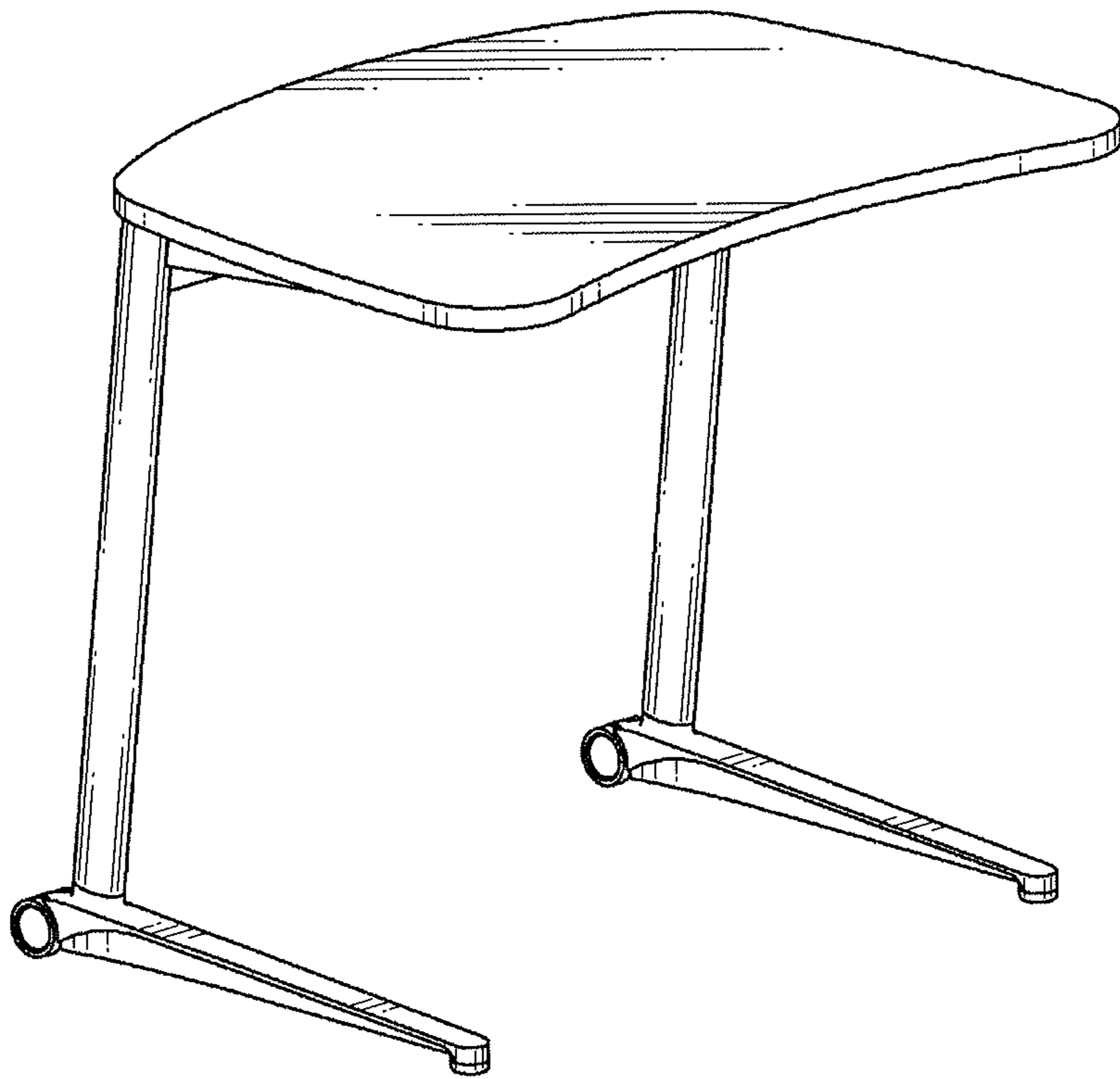


FIG. 2

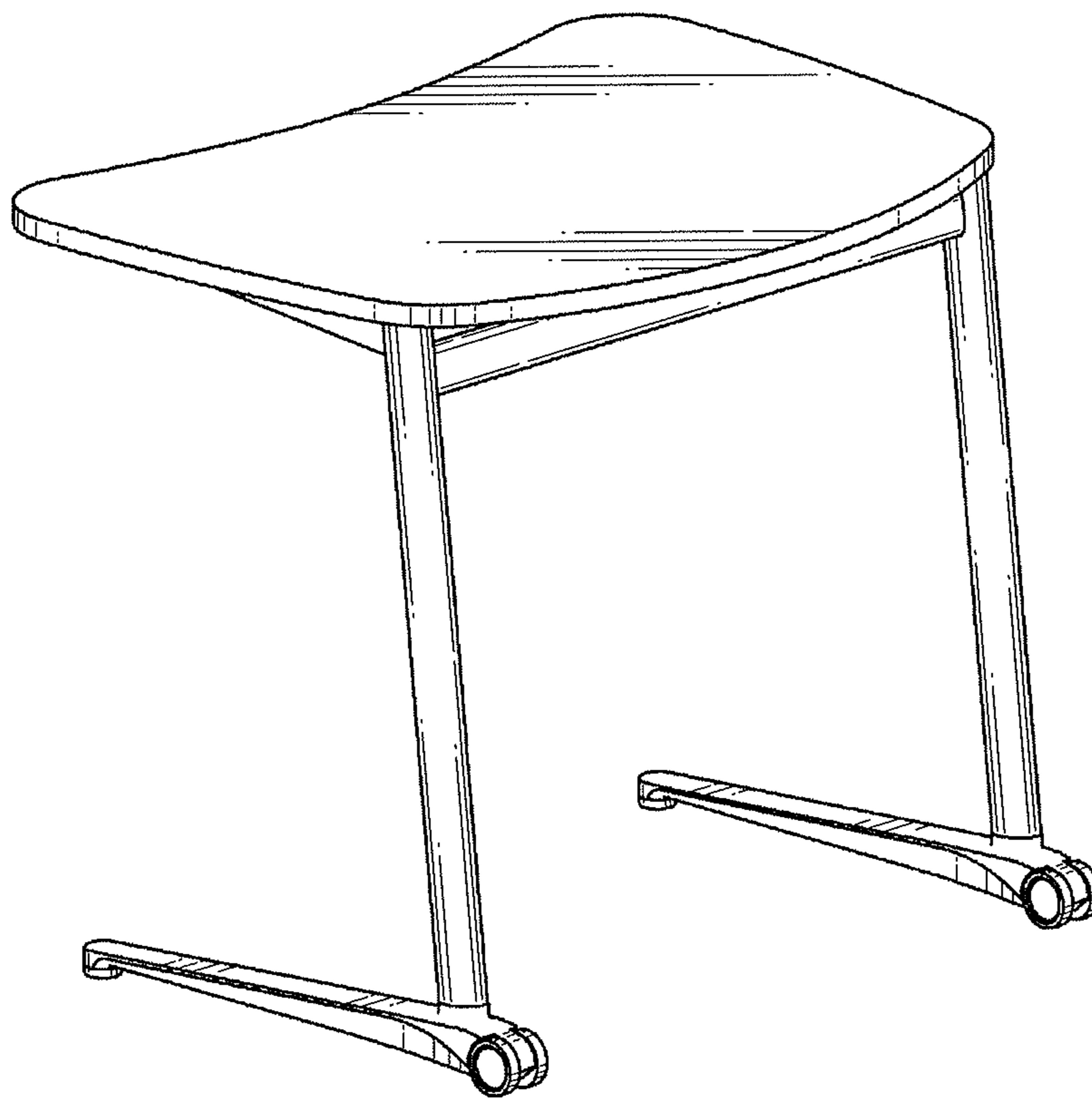


FIG. 3

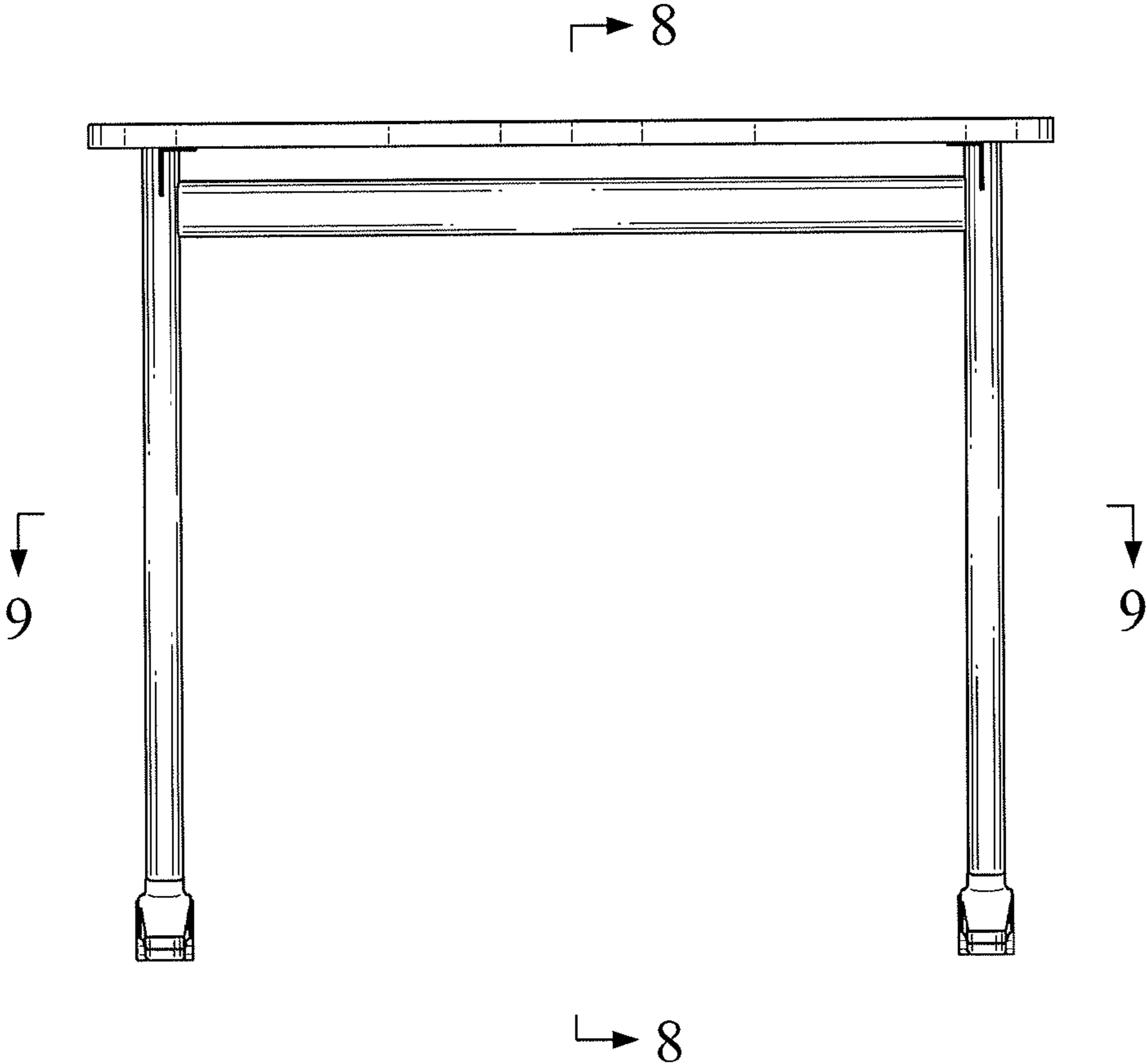


FIG. 4

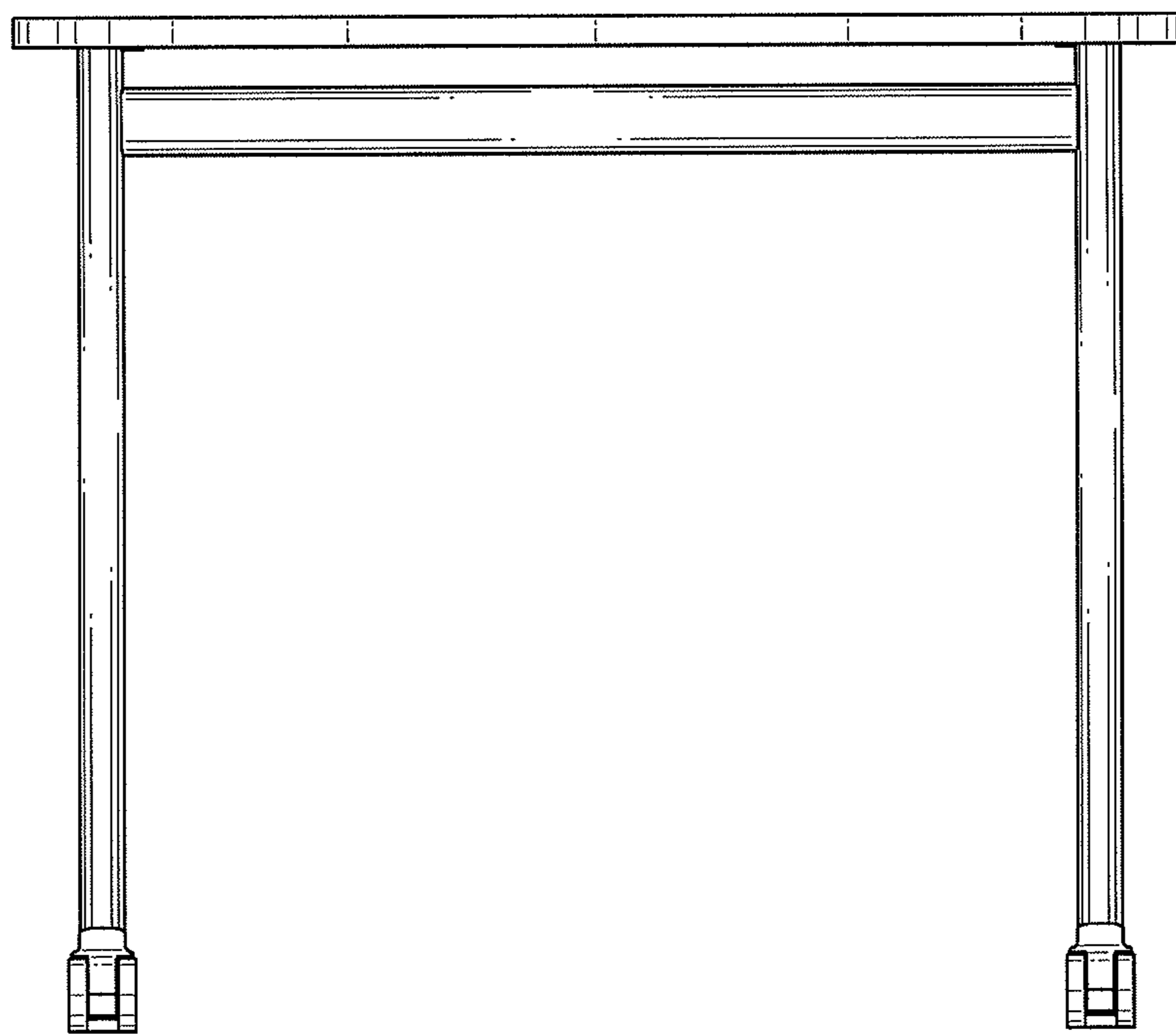


FIG. 5

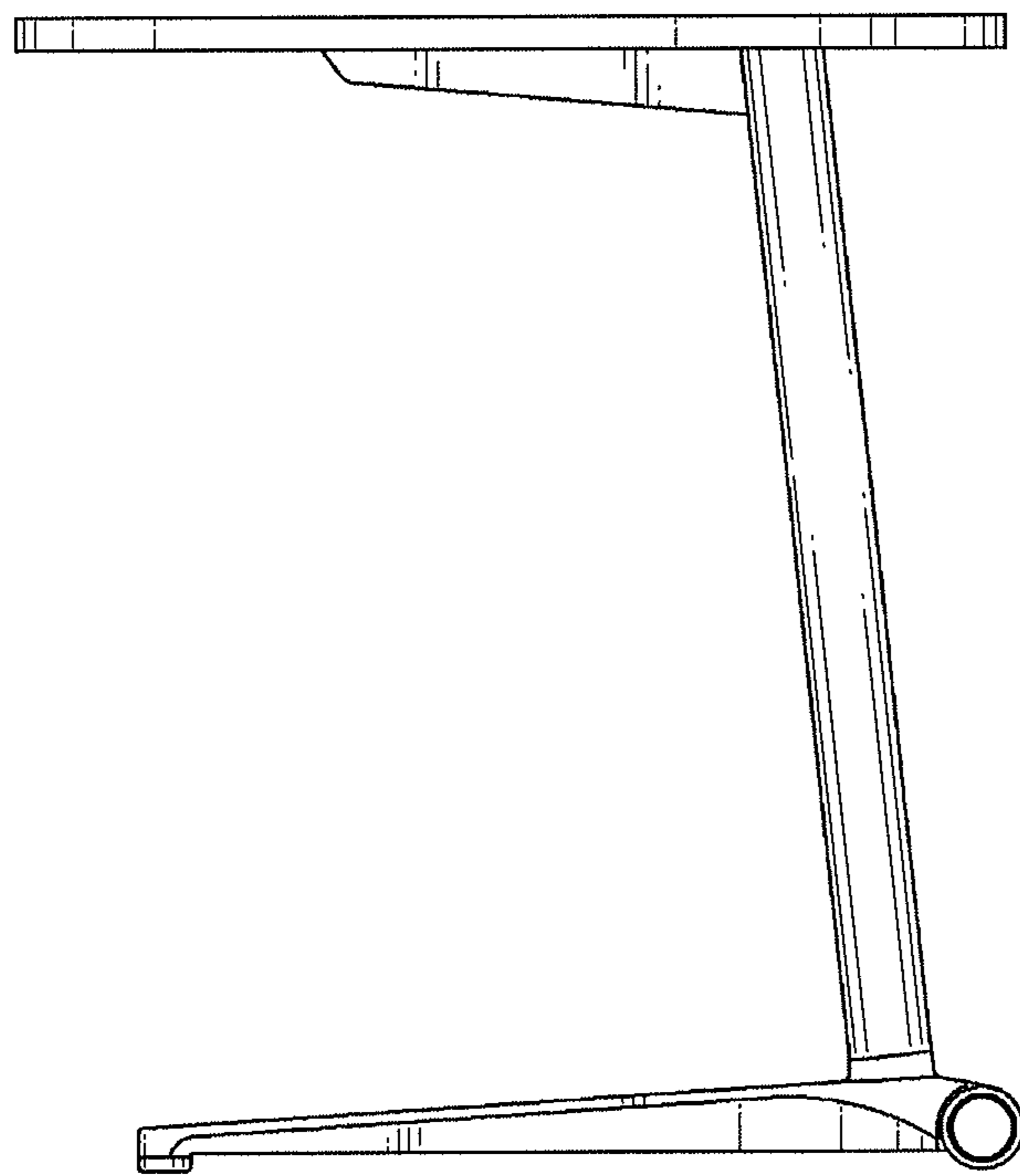


FIG. 6

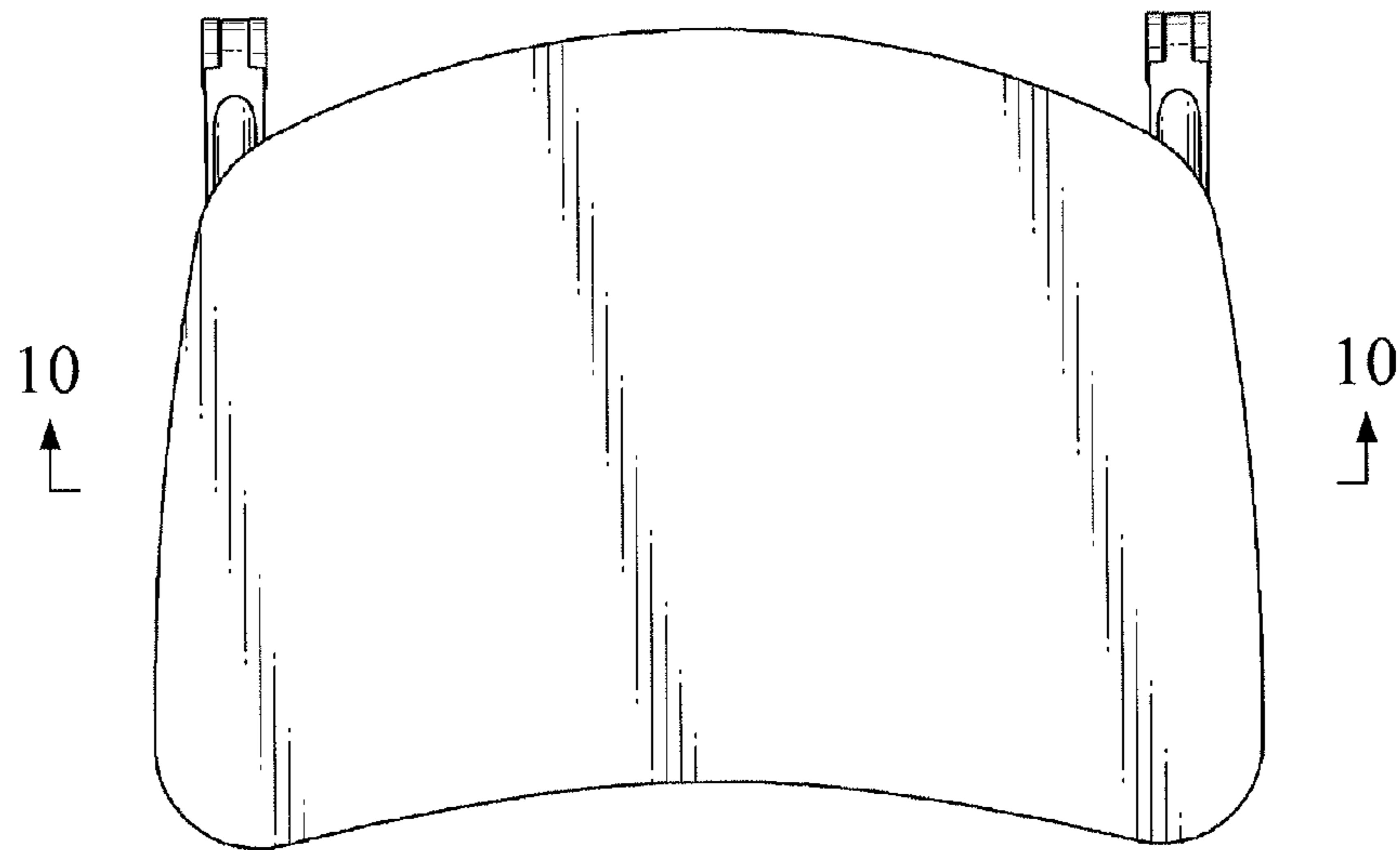


FIG. 7

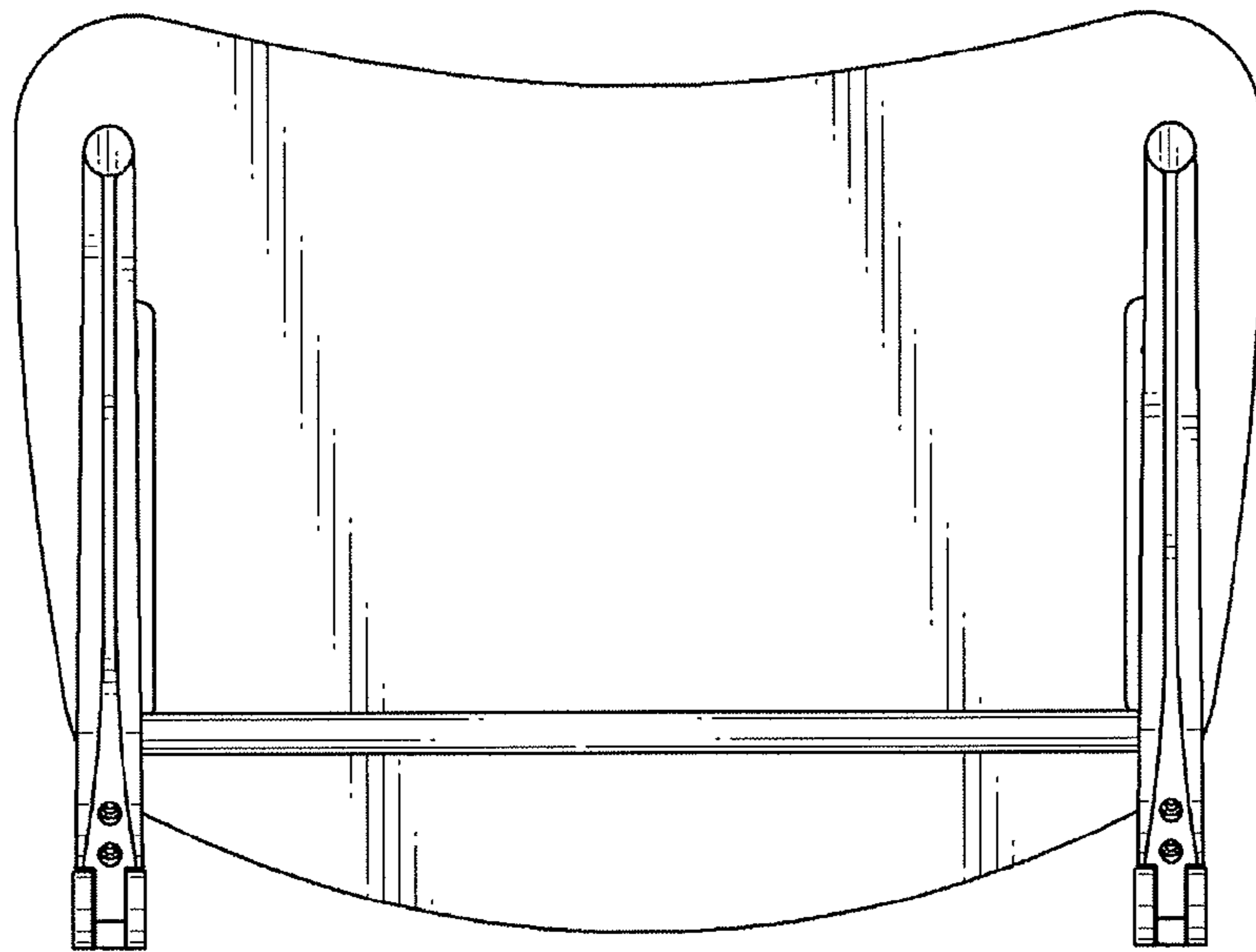




FIG. 8

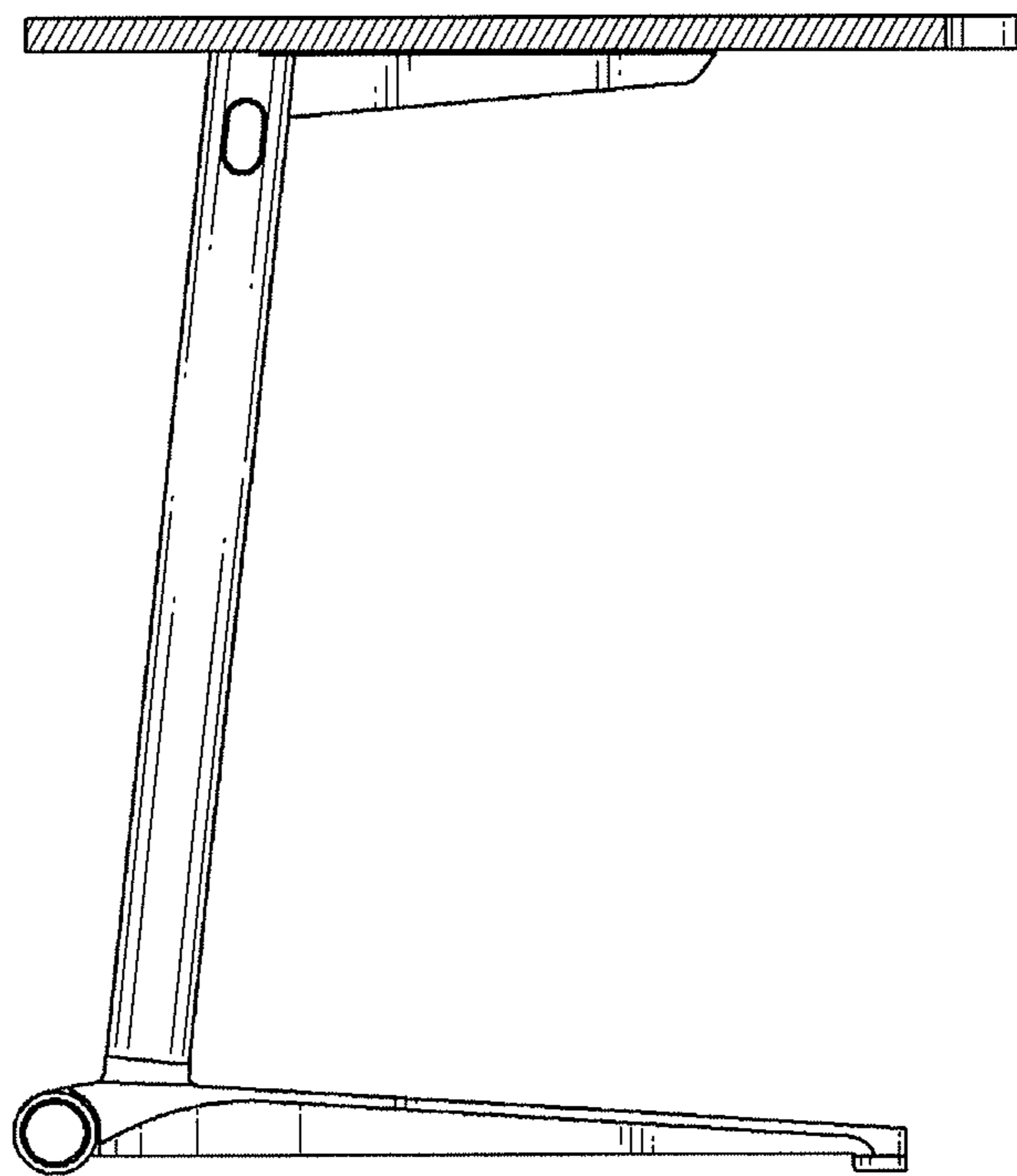


FIG. 9

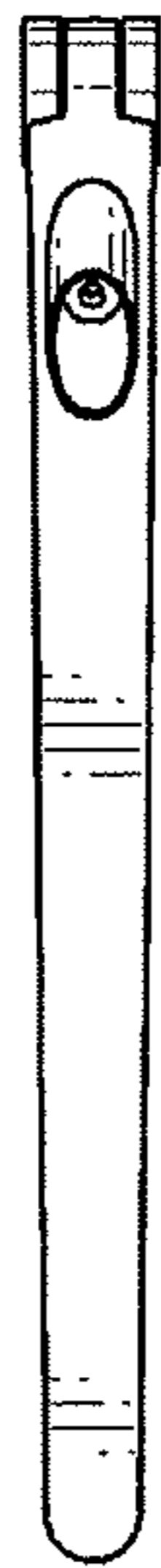


FIG. 10

