

US00D731819S

(12) **United States Design Patent**  
**Wightman**

(10) **Patent No.:** **US D731,819 S**  
(45) **Date of Patent:** **\*\* Jun. 16, 2015**

- (54) **MATTRESS**
- (71) Applicant: **Leona Wightman**, Huntley, IL (US)
- (72) Inventor: **Leona Wightman**, Huntley, IL (US)
- (73) Assignee: **SERTA, INC.**, Hoffman Estates, IL (US)
- (\*\*) Term: **14 Years**
- (21) Appl. No.: **29/472,839**
- (22) Filed: **Nov. 15, 2013**
- (51) **LOC (10) CI.** ..... **06-09**
- (52) **U.S. CI.**  
USPC ..... **D6/605**
- (58) **Field of Classification Search**  
USPC ..... D6/305, 382, 383, 391, 393, 394, 395,  
D6/406.6, 595, 596, 601, 602, 603, 604,  
D6/605, 606, 607, 622, 690, 718.31;  
D8/317, 403; 5/417, 419, 421, 482,  
5/485, 495, 496, 497, 499, 668, 675, 677,  
5/689, 690, 691, 693, 696, 698, 700, 702,  
5/703, 705, 706, 709, 712, 717, 719, 720,  
5/721, 727, 733, 737, 739, 740; 29/564.7  
See application file for complete search history.

D670,126 S *	11/2012	Price	.....	D6/605
D670,128 S *	11/2012	Price	.....	D6/605
D670,948 S *	11/2012	Price	.....	D6/605
D670,949 S *	11/2012	Price	.....	D6/605
D677,965 S	3/2013	Tjoflat		
D679,931 S *	4/2013	Itzkovitz	.....	D6/605
D680,358 S	4/2013	Tjoflat		
8,413,276 B2 *	4/2013	Rattner et al.	.....	5/699
8,490,231 B1	7/2013	Tjoflat		
D696,048 S	12/2013	Morrison		
D696,530 S *	12/2013	Bradford	.....	D6/605
D712,682 S	9/2014	Tjoflat et al.		

\* cited by examiner

*Primary Examiner* — Karen S Acker  
*Assistant Examiner* — Bao-Yen Nguyen  
(74) *Attorney, Agent, or Firm* — Quarles & Brady LLP

(57) **CLAIM**  
The ornamental design for a mattress, as shown and described.

**DESCRIPTION**

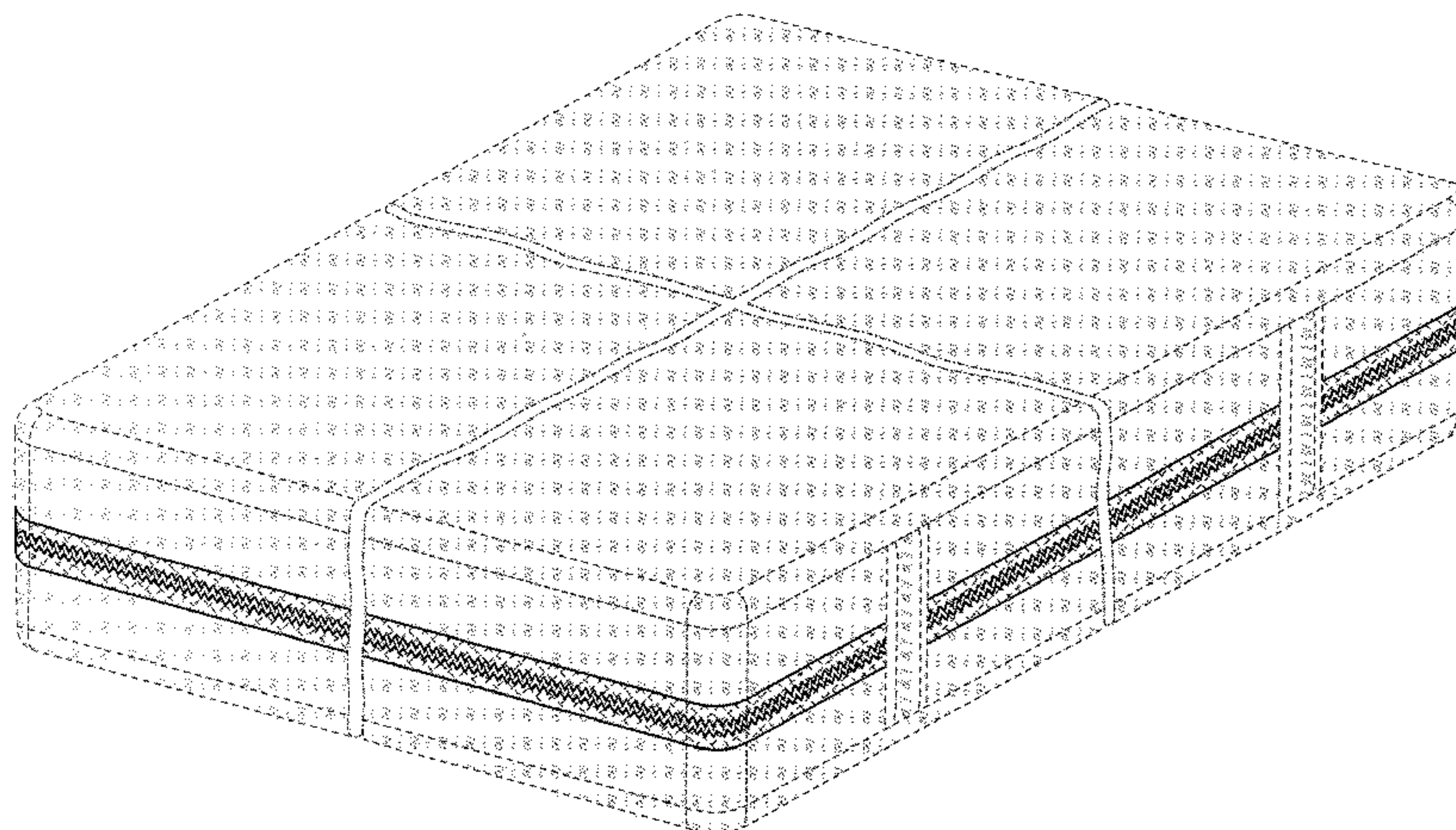
FIG. 1 is an isometric view of a top, front, and right side of an ornamental design for a mattress;  
FIG. 2 is a front elevational view of the mattress of FIG. 1;  
FIG. 3 is a rear elevational view of the mattress of FIG. 1;  
FIG. 4 is a right side elevational view of the mattress of FIG. 1;  
FIG. 5 is a left side elevational view of the mattress of FIG. 1;  
FIG. 6 is top plan view of the mattress of FIG. 1; and,  
FIG. 7 is a bottom plan view of the mattress of FIG. 1.  
The dashed surface pattern and the dash-dash-dash-dash broken lines represent environmental structures that form no part of the claimed design. The dash-dot-dash-dot broken lines depict a symbolic break in the length and width of the mattress. The appearance of any portion of the article between the unclaimed dash-dot-dash-dot break lines forms no part of the claimed design. Further, the broken line cross-hatching is a portion that forms no part of the claimed design.

**1 Claim, 5 Drawing Sheets**

(56) **References Cited**

**U.S. PATENT DOCUMENTS**

2,191,963 A *	2/1940	London	.....	5/499
2,715,229 A *	8/1955	Hirschman	.....	5/703
D616,236 S	5/2010	Morrison		
D621,197 S *	8/2010	Gladney et al.	.....	D6/605
D622,088 S	8/2010	Morrison		
D622,531 S	8/2010	Morrison et al.		
D622,996 S	9/2010	Morrison et al.		
D649,386 S *	11/2011	Freese et al.	.....	D6/605
D649,387 S	11/2011	Jung et al.		
D659,459 S	5/2012	Jung et al.		
D662,753 S	7/2012	Shive		
D662,754 S	7/2012	Shive		
D663,152 S	7/2012	Shive		





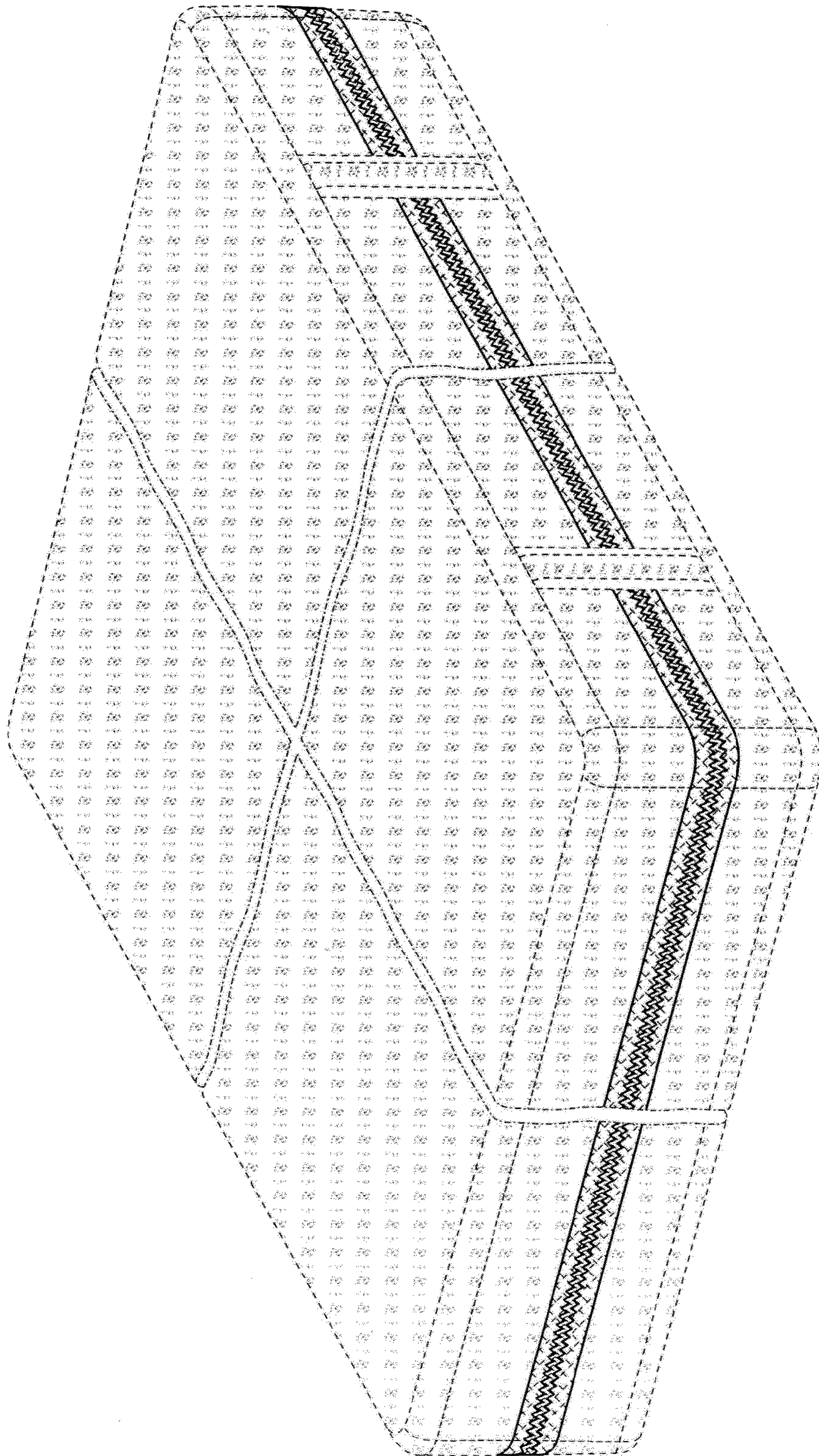


FIG. 1



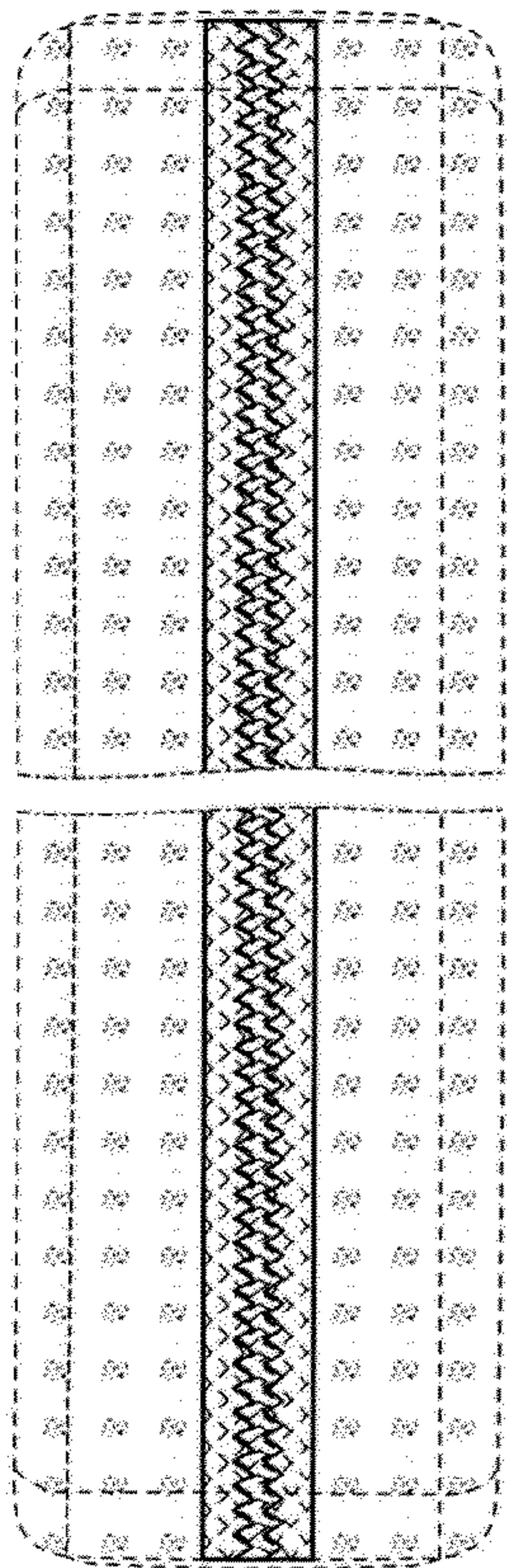


FIG. 2

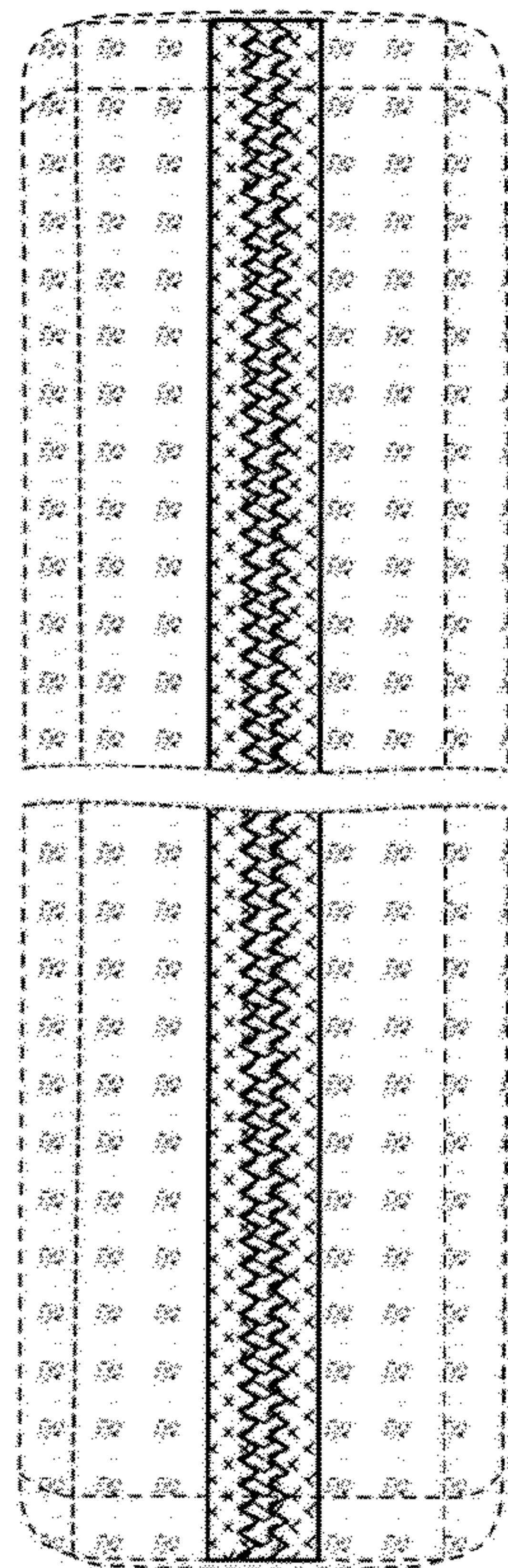


FIG. 3

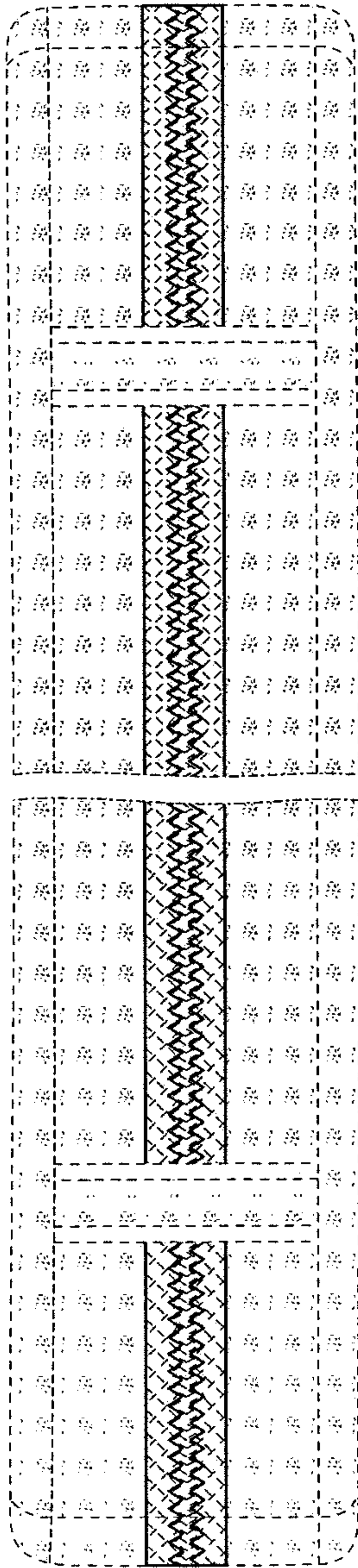


FIG. 4

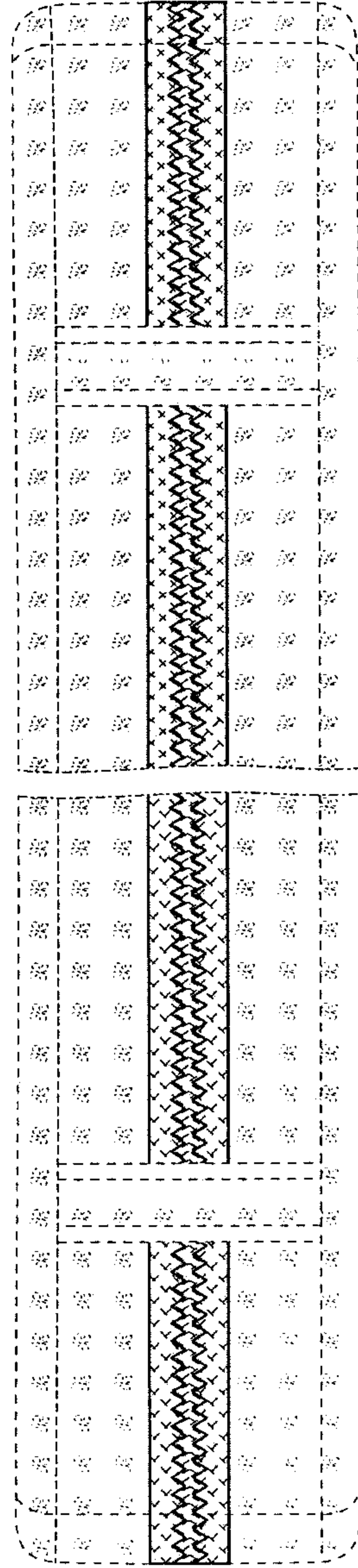


FIG. 5



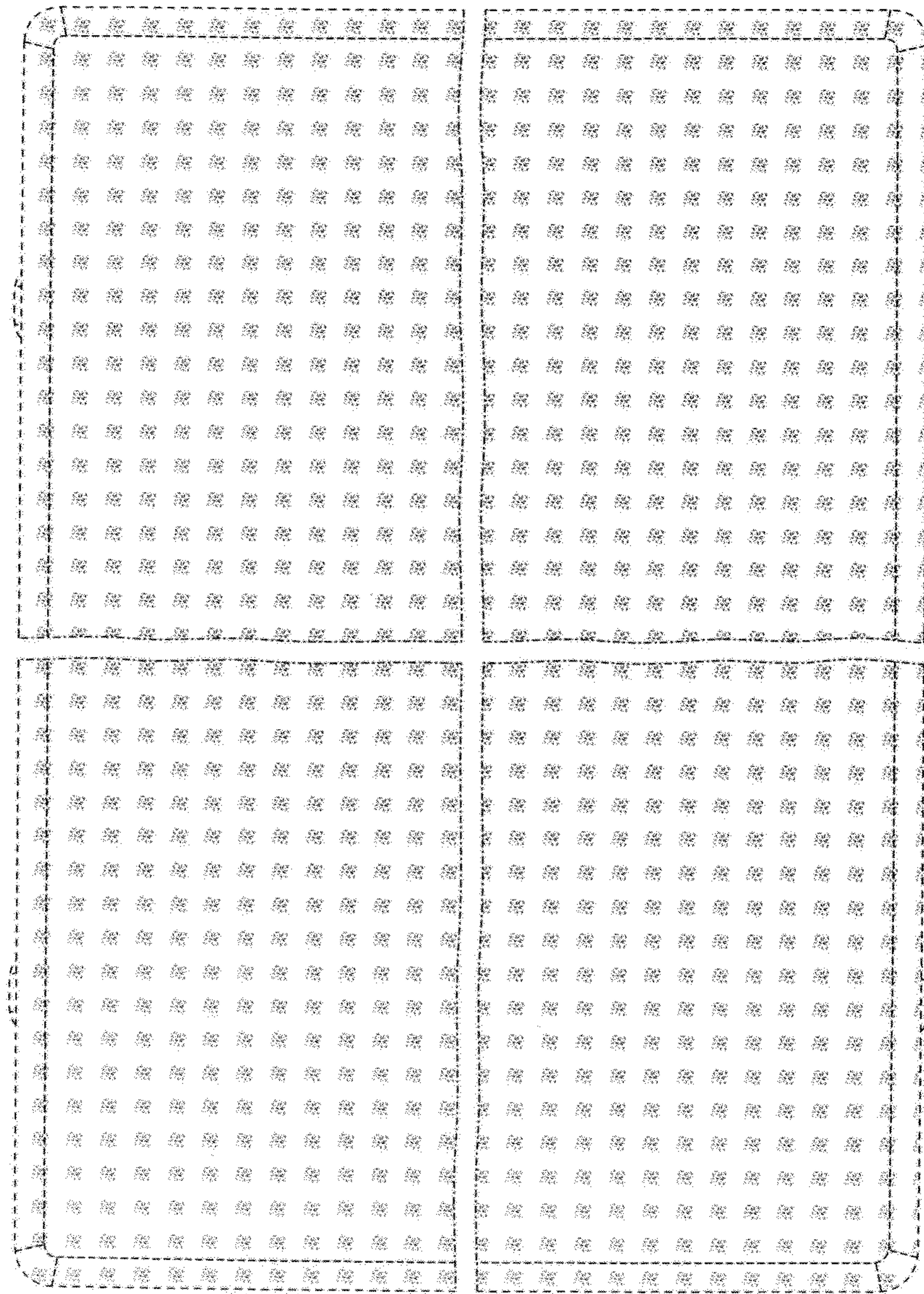


FIG. 6



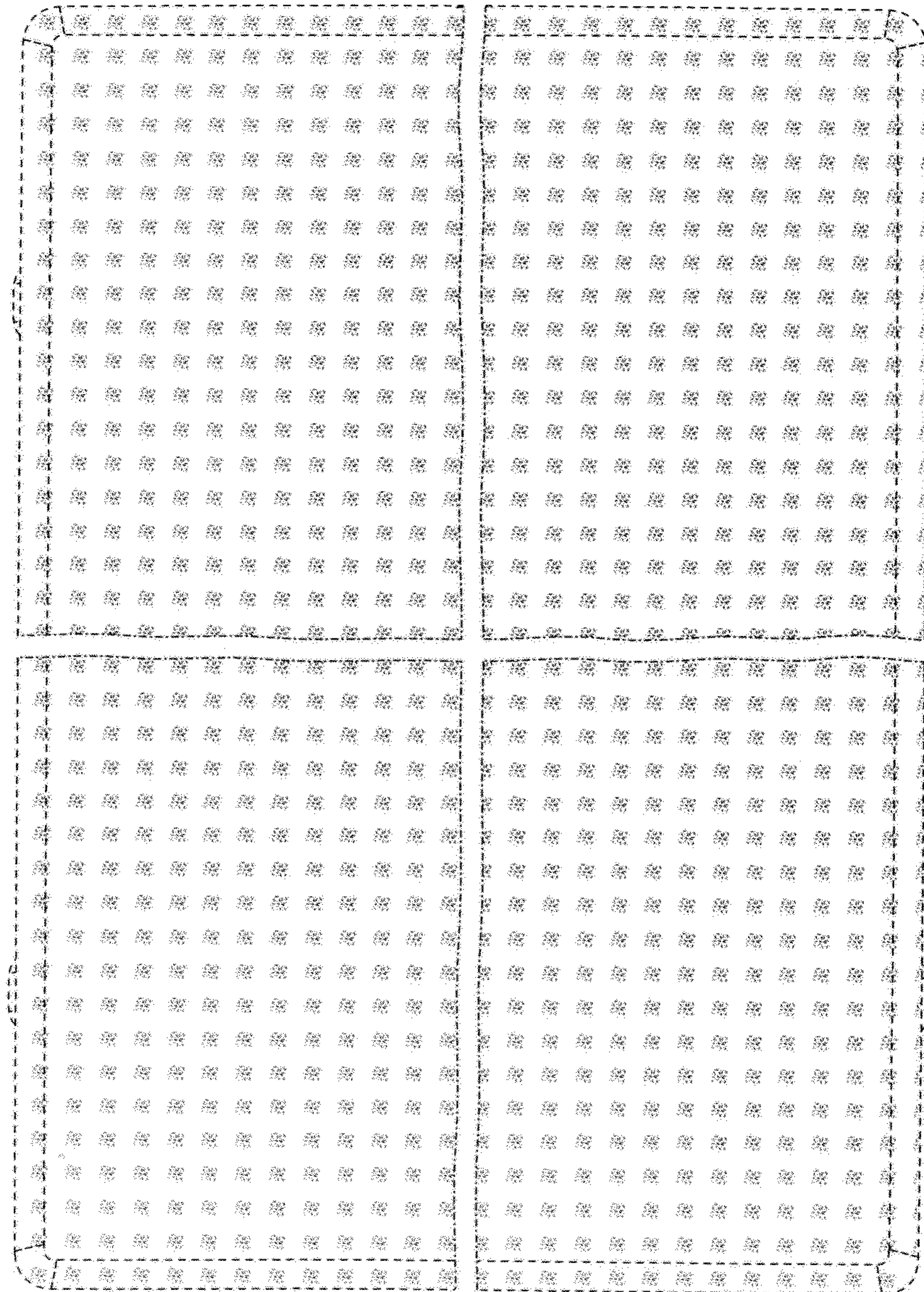


FIG. 7