



US00D731816S

(12) **United States Design Patent**
Edgemon

(10) **Patent No.:** **US D731,816 S**
(45) **Date of Patent:** **** Jun. 16, 2015**

(54) **SEAT CUSHION**

(71) Applicant: **E. MISHAN & SONS, INC.**, New York, NY (US)
(72) Inventor: **Jenna Marie Edgemon**, Brooklyn, NY (US)
(73) Assignee: **E. Mishan & Sons, Inc.**, New York, NY (US)

(**) Term: **14 Years**
(21) Appl. No.: **29/470,355**

(22) Filed: **Oct. 21, 2013**

(51) **LOC (10) Cl.** **06-09**

(52) **U.S. Cl.**
USPC **D6/601**

(58) **Field of Classification Search**
USPC D06/595-601, 604, 605; D21/803, 809; D24/183, 190-193; 5/420, 630-651, 5/652, 655.3, 655.9, 656, 706, 710, 5/690-692, 900, 902, 910, 922, 928-930, 5/932, 935, 948, 953; 128/202.18; 441/40, 66, 80-81, 127; D7/553.2, D7/553.5; 297/219.1, 219.12
CPC A47G 9/10; A47G 9/1009; A47G 2009/1018; A47G 9/1027; A47G 9/1036; A47G 9/1045; A47G 9/1063; A47G 9/1072; A47G 9/1081; A47G 9/109
See application file for complete search history.

(56) **References Cited**

U.S. PATENT DOCUMENTS

D106,986 S *	11/1937	Manson	D6/604
D260,125 S *	8/1981	Rogers	D6/596
4,405,129 A *	9/1983	Stuckey	482/112
D298,715 S *	11/1988	Swim	D6/601
6,079,066 A *	6/2000	Backlund	5/636
D441,588 S *	5/2001	Roberts et al.	D6/601
D474,637 S *	5/2003	Scheetz	D6/601
6,742,207 B1 *	6/2004	Brown	5/636

(Continued)

OTHER PUBLICATIONS

<http://www.hammacher.com/Search/Default.aspx?query=gel%20seart> Jul. 18, 2013.

Primary Examiner — Mary Ann Calabrese
Assistant Examiner — Nathaniel D Buckner

(74) *Attorney, Agent, or Firm* — Notaro, Michalos & Zaccaria P.C.

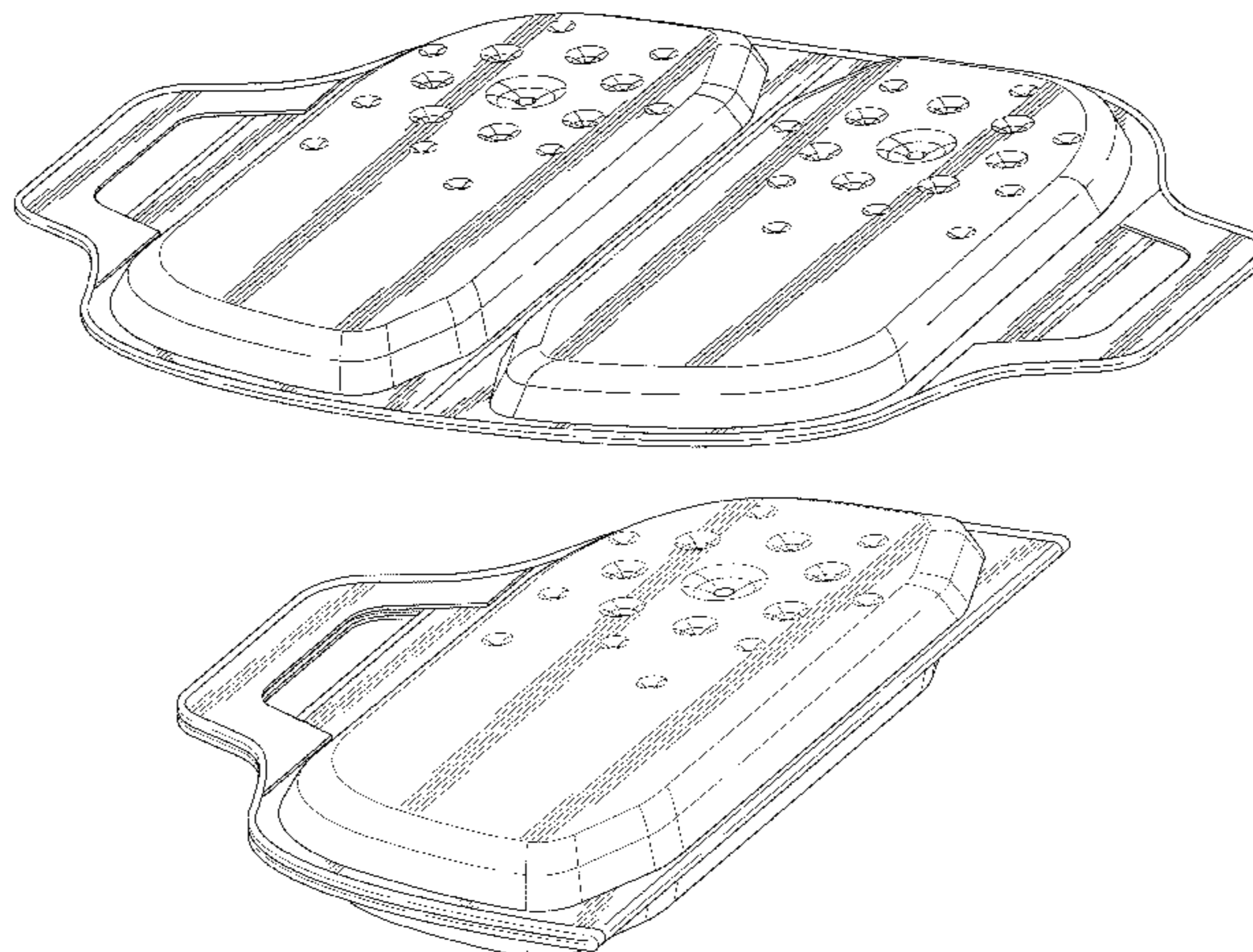
(57) **CLAIM**

The ornamental design for a seat cushion, as shown and described.

DESCRIPTION

FIG. 1 is a top, front perspective view of a seat cushion showing my new design therefor;
FIG. 2 is a top plan view thereof;
FIG. 3 is a bottom plan view thereof, broken dash-dot-dot lines representing environment and forming no part of the design;
FIG. 4 is a side elevational view thereof, the opposite side being the same;
FIG. 5 is a front elevational view thereof;
FIG. 6 is a rear elevational view thereof;
FIG. 7 is a top, front perspective view of the seat cushion in a folded condition;
FIG. 8 is a top plan view of the seat cushion in the folded position;
FIG. 9 is an inner side elevational view of the seat cushion in a folded position;
FIG. 10 is an outer side elevational view of the seat cushion;
FIG. 11 is a front elevational view of the seat cushion in a folded position; and,
FIG. 12 is a rear elevational view of the seat cushion in a folded position.
The broken lines shown in the figures represent unclaimed environmental structure and form no part of the claimed design.

1 Claim, 9 Drawing Sheets



(56)

References Cited

U.S. PATENT DOCUMENTS

6,839,928 B1 1/2005 Woodall et al.
D505,041 S * 5/2005 Lesosky D6/601
D524,086 S * 7/2006 Garrigues D6/596
D529,324 S * 10/2006 Yates D6/601

D529,325 S * 10/2006 Maarbjerg D6/601
D657,605 S * 4/2012 Chen D6/601
D696,045 S * 12/2013 Marinkovic D6/601
D698,586 S * 2/2014 Davis et al. D6/601
2006/0174414 A1 * 8/2006 Maarbjerg 5/636
2009/0139031 A1 * 6/2009 Davis et al. 5/639

* cited by examiner

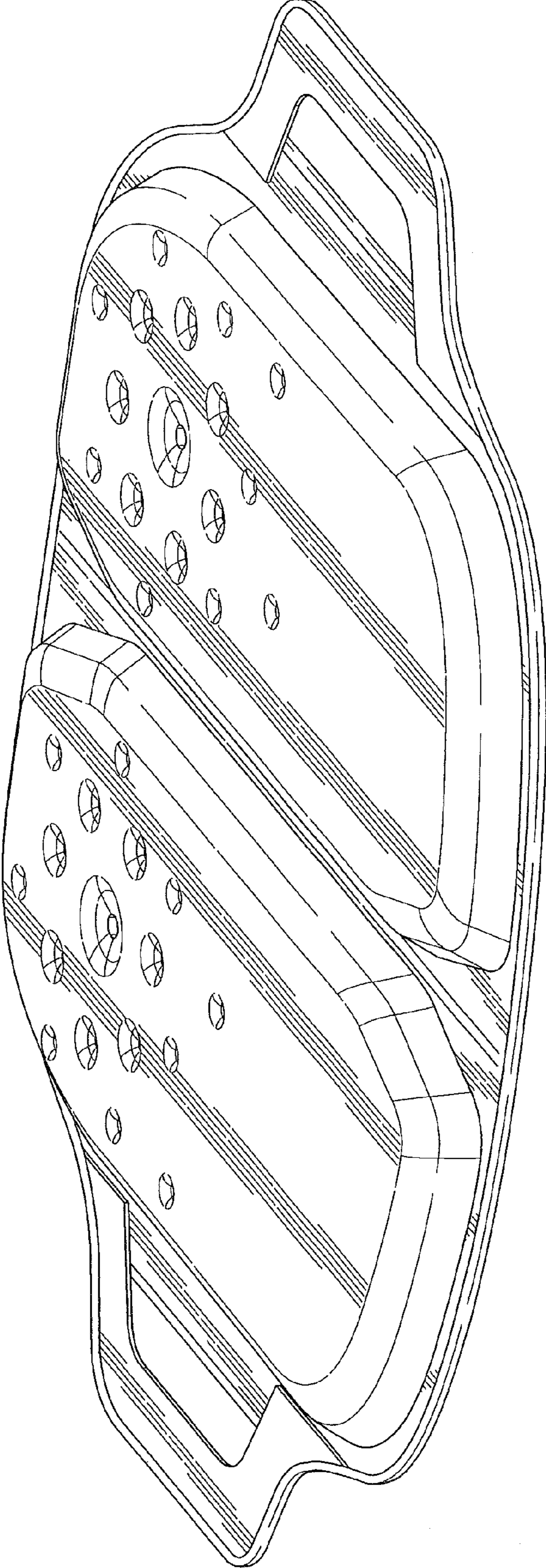


FIG. 1

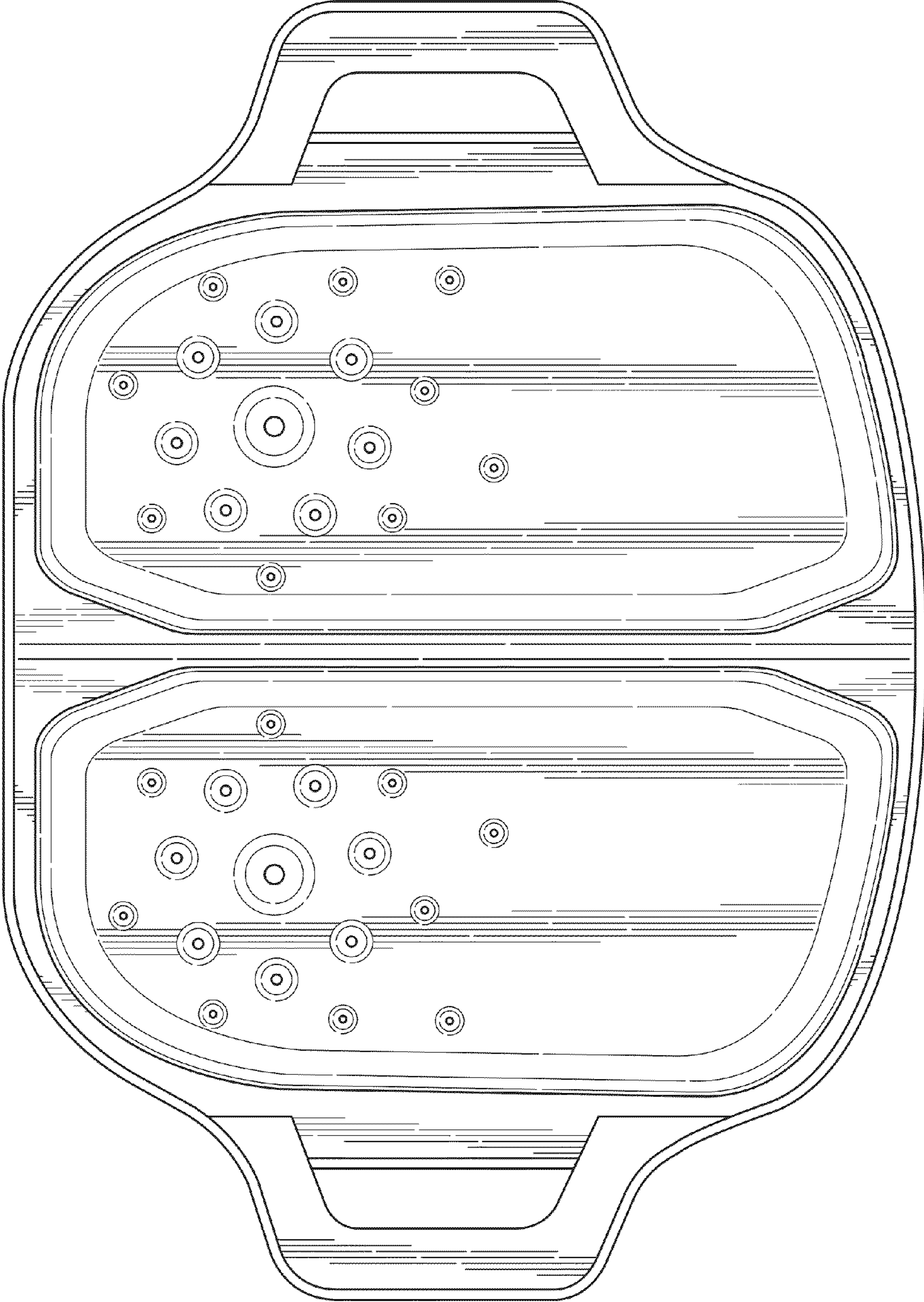


FIG. 2

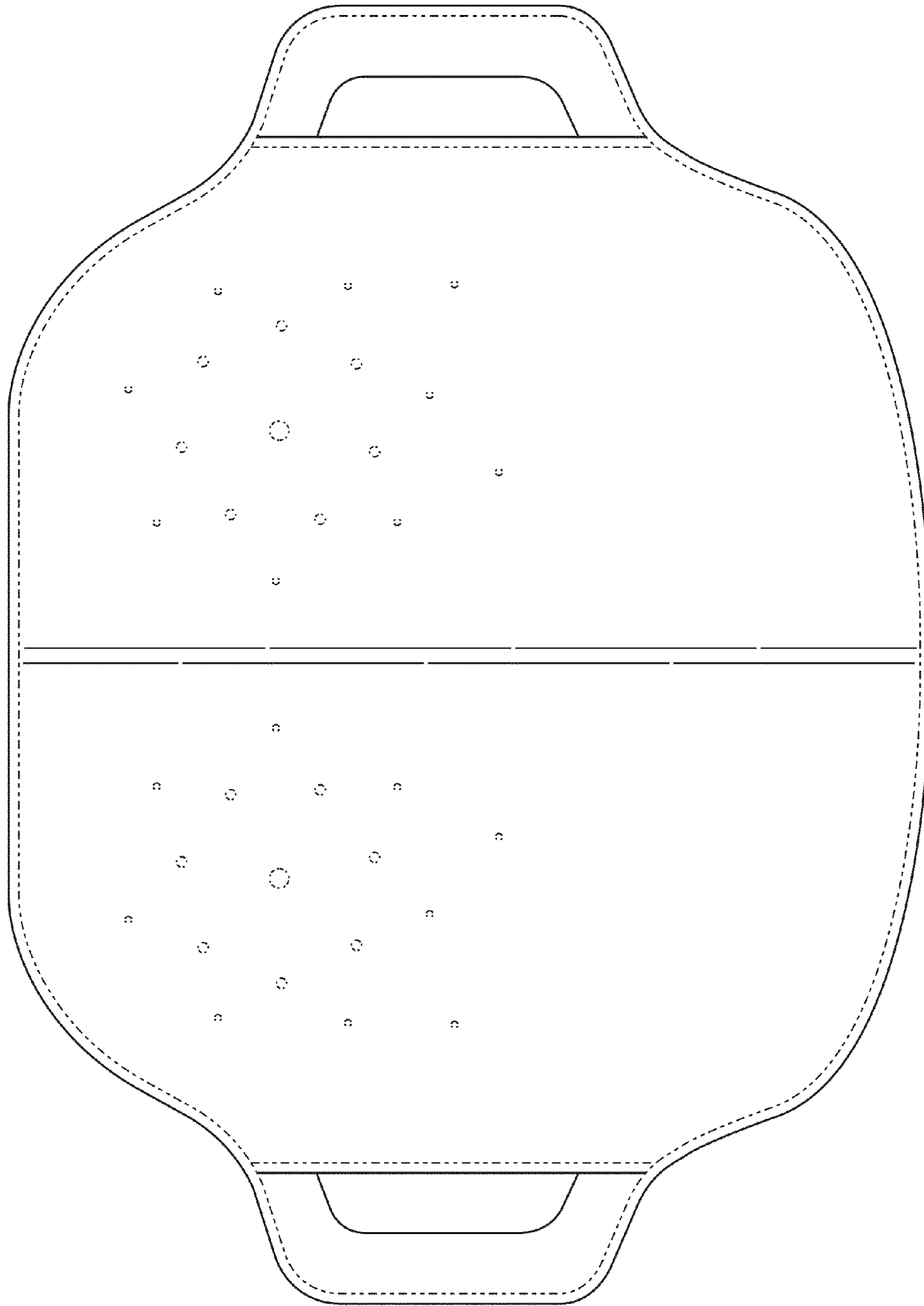


FIG. 3

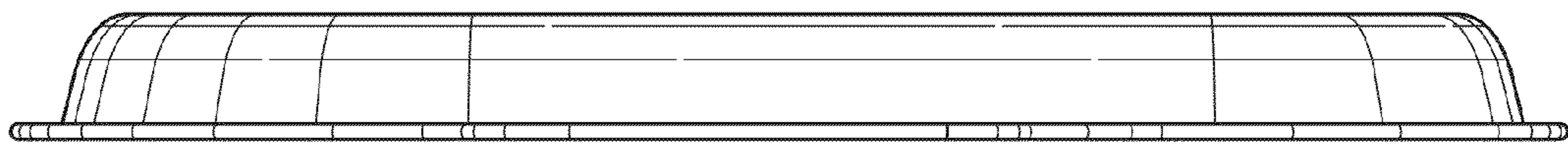


FIG. 4

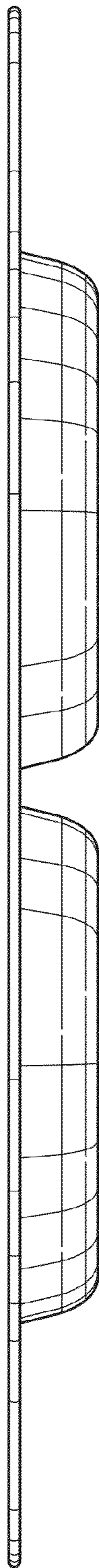


FIG. 5

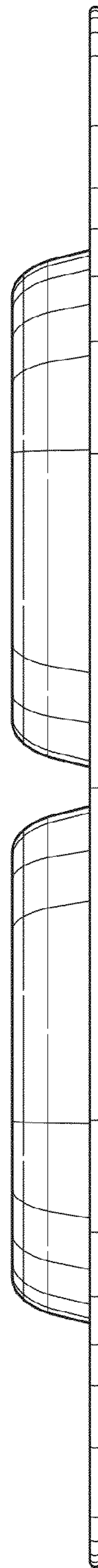


FIG. 6

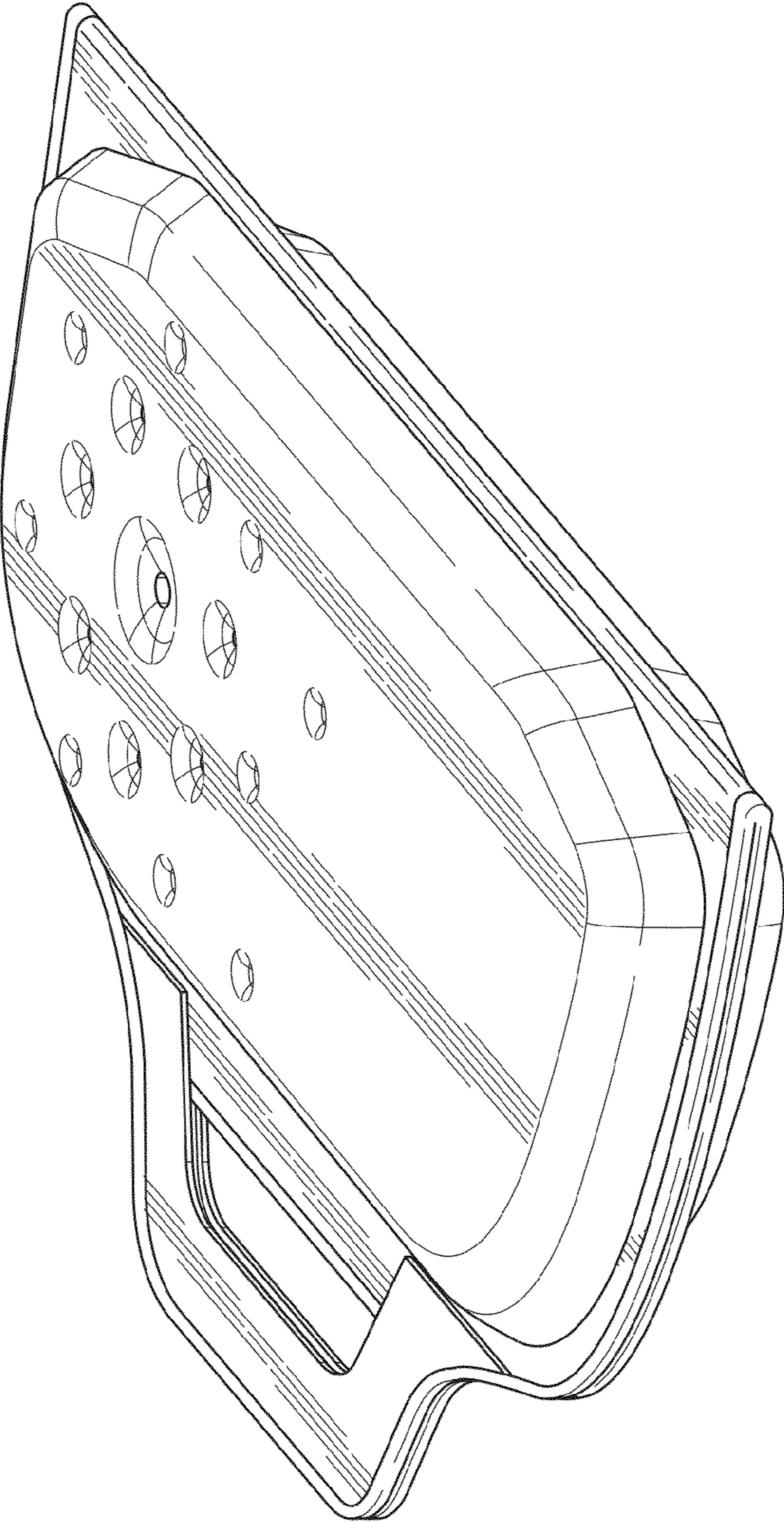


FIG. 7

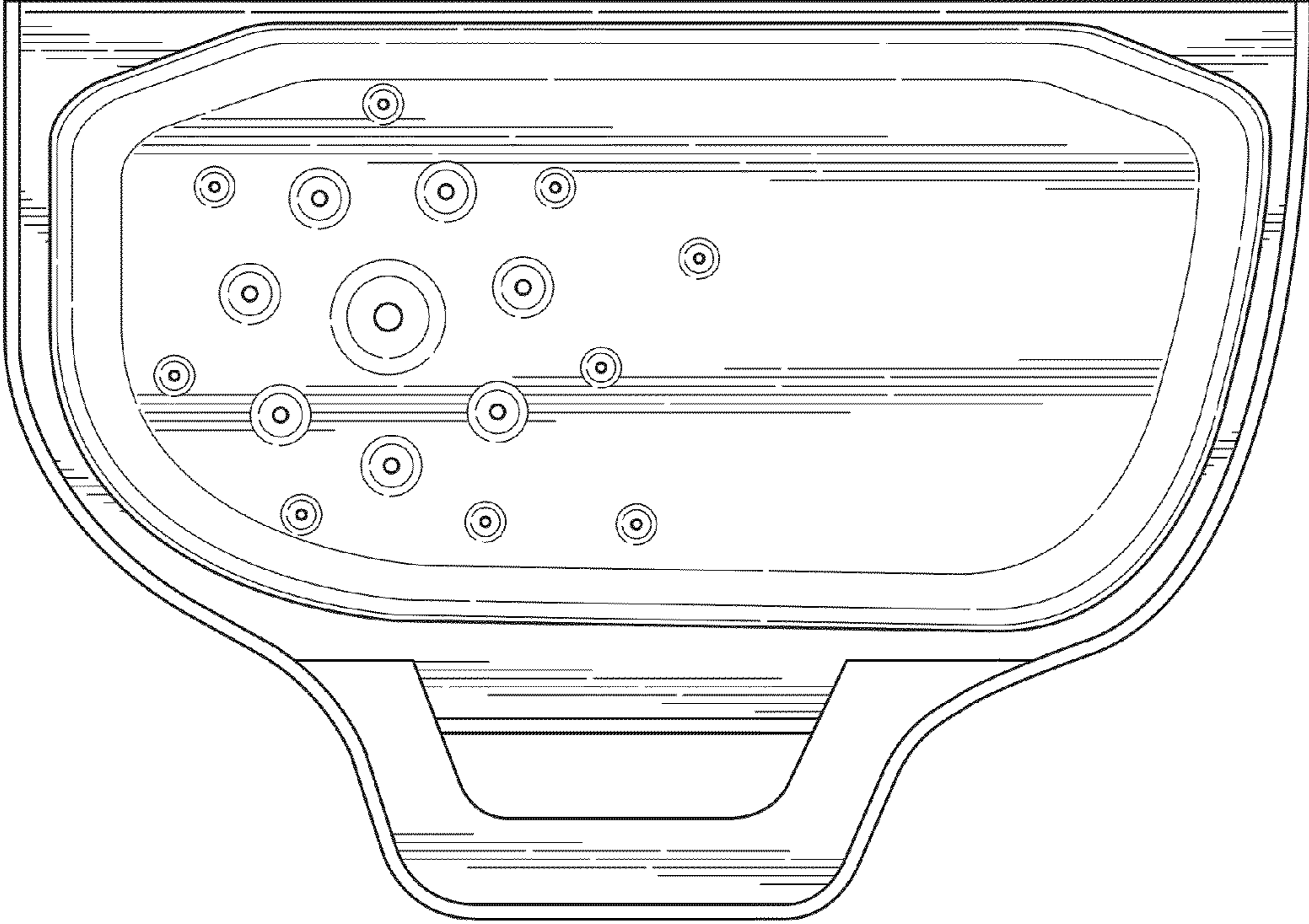


FIG. 8

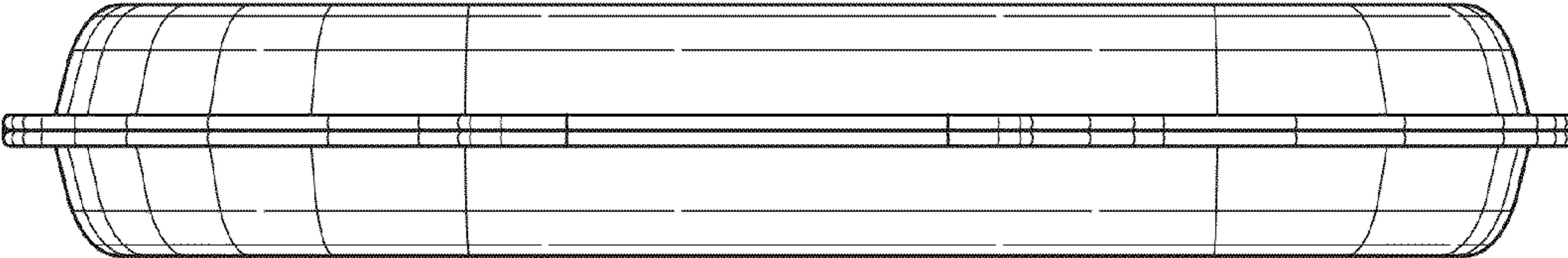


FIG. 10

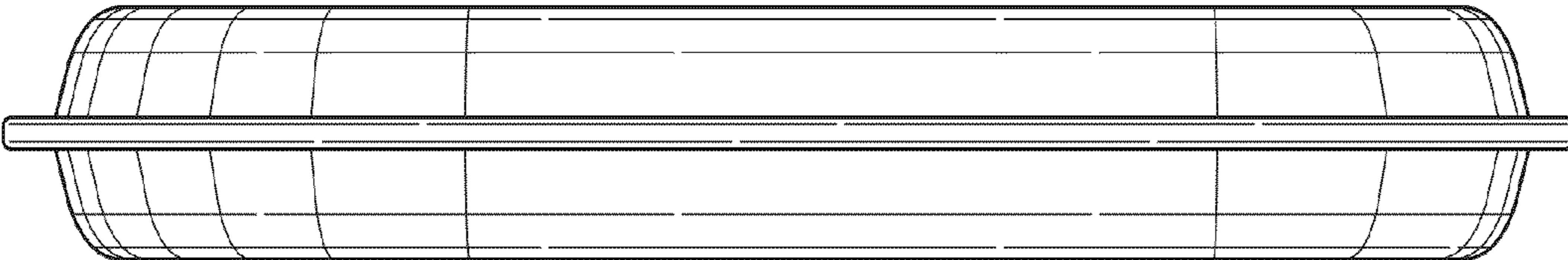


FIG. 9

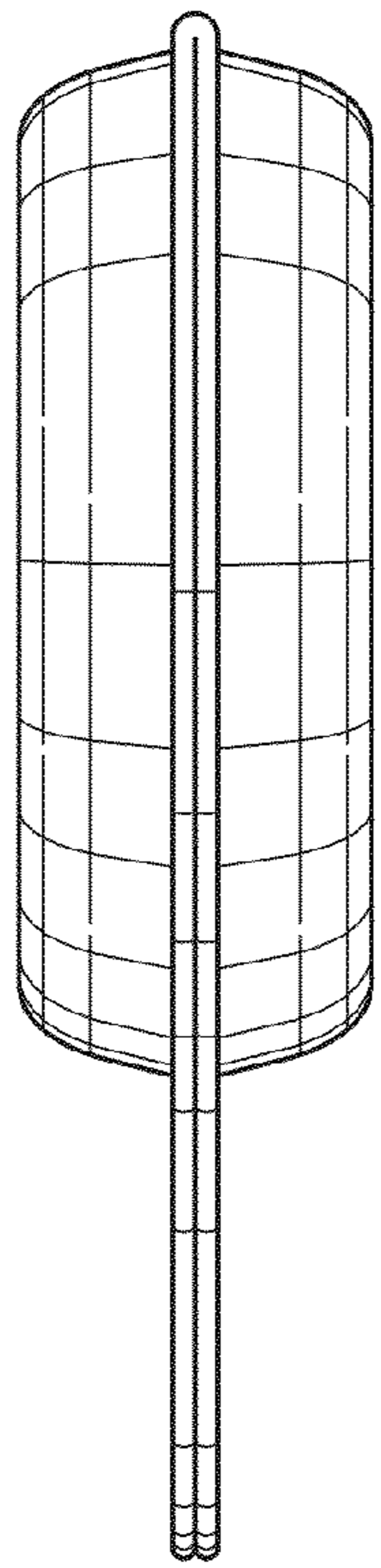


FIG. 11

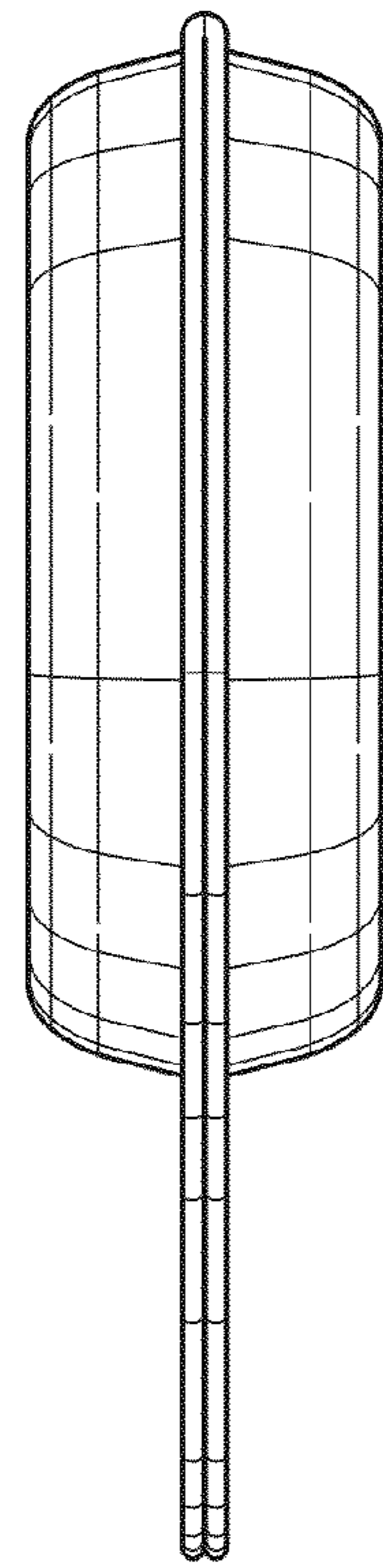


FIG. 12