



US00D731811S

(12) **United States Design Patent**
Jondal

(10) **Patent No.:** **US D731,811 S**
(45) **Date of Patent:** **** Jun. 16, 2015**

(54) **MOUNTING SHELF WITH CONCEALMENT MEANS**

(71) Applicant: **Umbra LLC**, Buffalo, NY (US)

(72) Inventor: **Viktor Jondal**, Brooklyn, NY (US)

(73) Assignee: **Umbra LLC**, Buffalo, NY (US)

(**) Term: **14 Years**

(21) Appl. No.: **29/481,466**

(22) Filed: **Feb. 6, 2014**

(51) **LOC (10) Cl.** **06-04**

(52) **U.S. Cl.**
USPC **D6/553**

(58) **Field of Classification Search**
USPC D6/512, 553, 567, 570; D8/349, 380;
D19/65, 75, 90, 91; 211/13.1, 41.12,
211/42, 71.01, 86.01, 89.01
See application file for complete search history.

(56) **References Cited**

U.S. PATENT DOCUMENTS

D23,038 S	2/1894	Wagandt
D24,378 S	6/1895	Wanderer
993,753 A	5/1911	Caspar
1,353,898 A	9/1920	Decker et al.
D164,744 S	10/1951	Thomson
4,013,253 A	3/1977	Perreault et al.
4,441,433 A	4/1984	Caldwell
D304,888 S	12/1989	Korpijaako
4,915,338 A	4/1990	Guth
D312,185 S	11/1990	Prater, Sr.
5,178,353 A	1/1993	Huxtable
D333,584 S	3/1993	Starr, IV
5,197,703 A	3/1993	Pratolongo
D340,596 S	10/1993	Sandy
D348,581 S	7/1994	Starr, IV
5,397,006 A	3/1995	Terrell
D359,643 S	6/1995	Langmade
5,513,575 A	5/1996	Slade
D431,403 S	10/2000	Ford
D462,216 S	9/2002	Jablonski

D489,927 S	5/2004	Hoernig	
D495,172 S	8/2004	Brownfield et al.	
D502,221 S	* 2/2005	Chen et al.	D6/567
D545,604 S	7/2007	Eyman et al.	
D546,103 S	7/2007	Eyman et al.	
D546,610 S	7/2007	Blanchard	
D549,467 S	8/2007	Holt	
D553,892 S	10/2007	Lior	
D557,963 S	12/2007	Hoernig	
D562,044 S	* 2/2008	Brown et al.	D6/553
D620,737 S	8/2010	Nakaoka et al.	
D631,735 S	2/2011	Johnson	
D699,487 S	* 2/2014	Trinh et al.	D6/553
2008/0061013 A1	3/2008	Lior	
2008/0061014 A1	3/2008	Lior	
2008/0093316 A1	4/2008	Barron et al.	
2009/0090683 A1	4/2009	Haghayegh	

* cited by examiner

Primary Examiner — Brian N Vinson

(74) *Attorney, Agent, or Firm* — Simpson & Simpson, PLLC

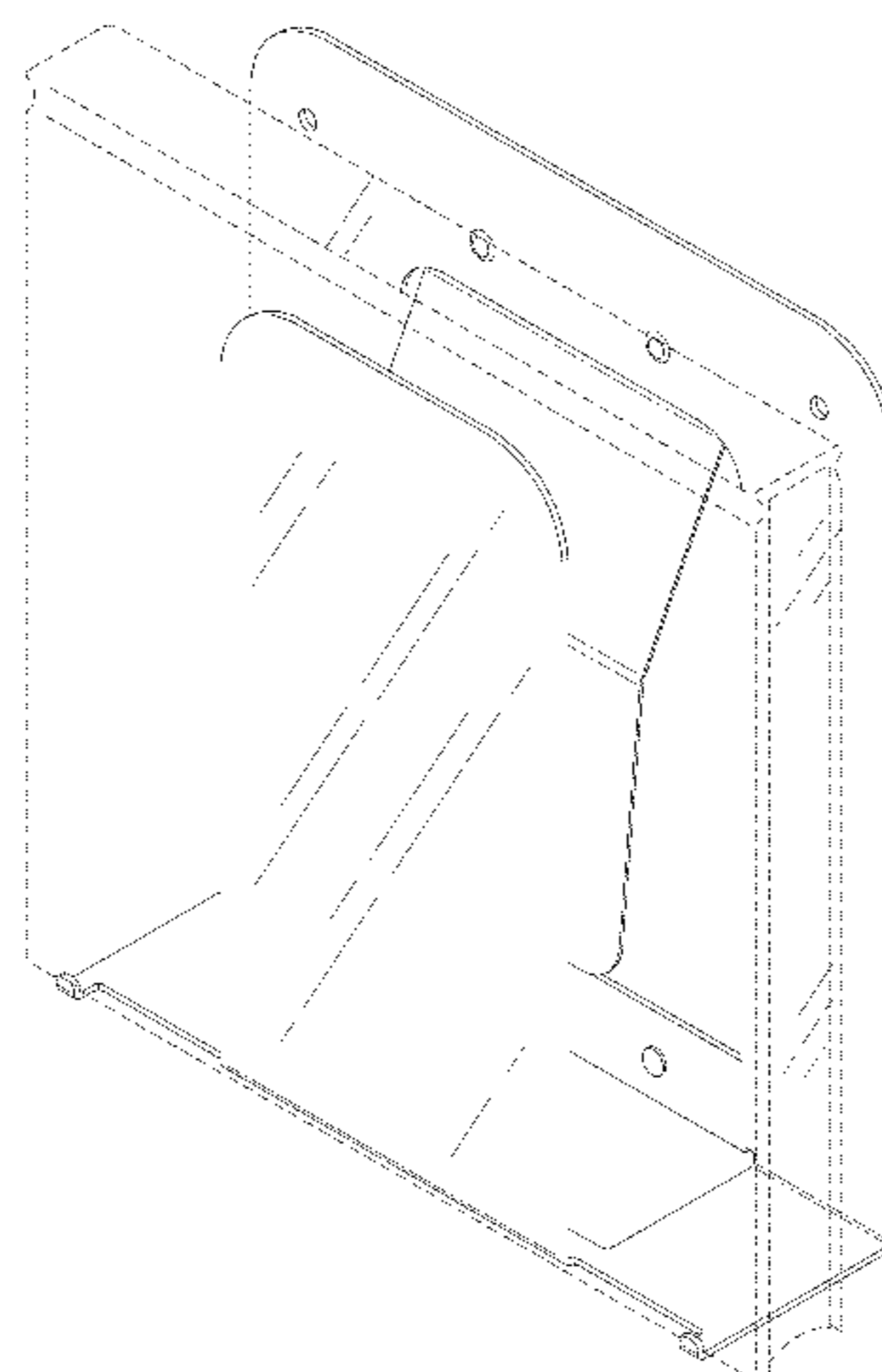
(57) **CLAIM**

The ornamental design for a mounting shelf with concealment means, as shown and described.

DESCRIPTION

FIG. 1 is a front perspective view of a mounting shelf with concealment means of the present invention; FIG. 2 is a front elevational view of the invention shown in FIG. 1; FIG. 3 is a rear elevational view of the invention shown in FIG. 1; FIG. 4 is a left side elevational view of the invention shown in FIG. 1; FIG. 5 is a right side elevational view of the invention shown in FIG. 1; FIG. 6 is a top plan view of the invention shown in FIG. 1; and, FIG. 7 is a bottom plan view of the invention shown in FIG. 1. The broken line illustrations shown in the drawings depict environmental subject matter only and form no part of the claimed design.

1 Claim, 5 Drawing Sheets



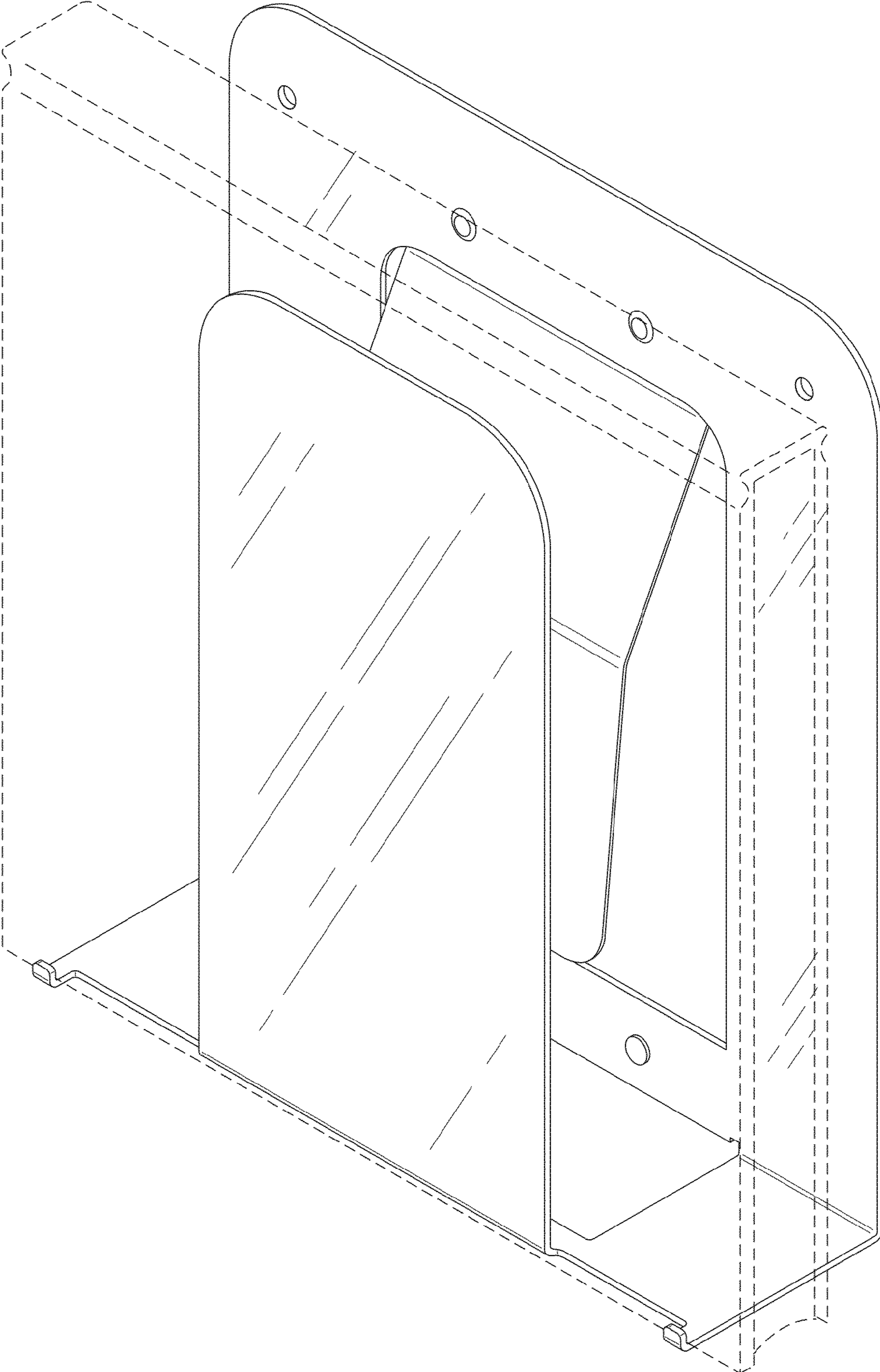


Fig. 1

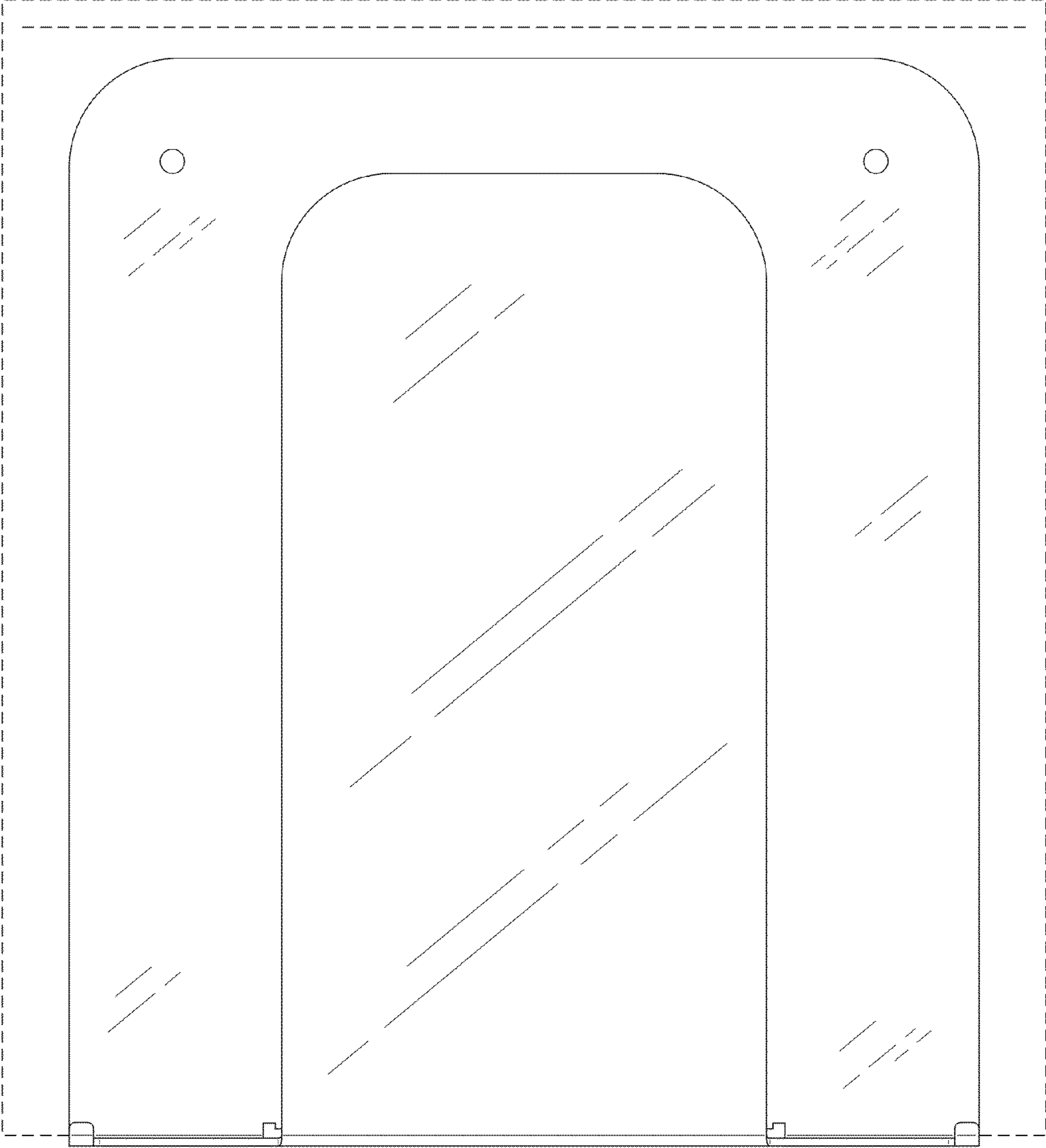


Fig. 2

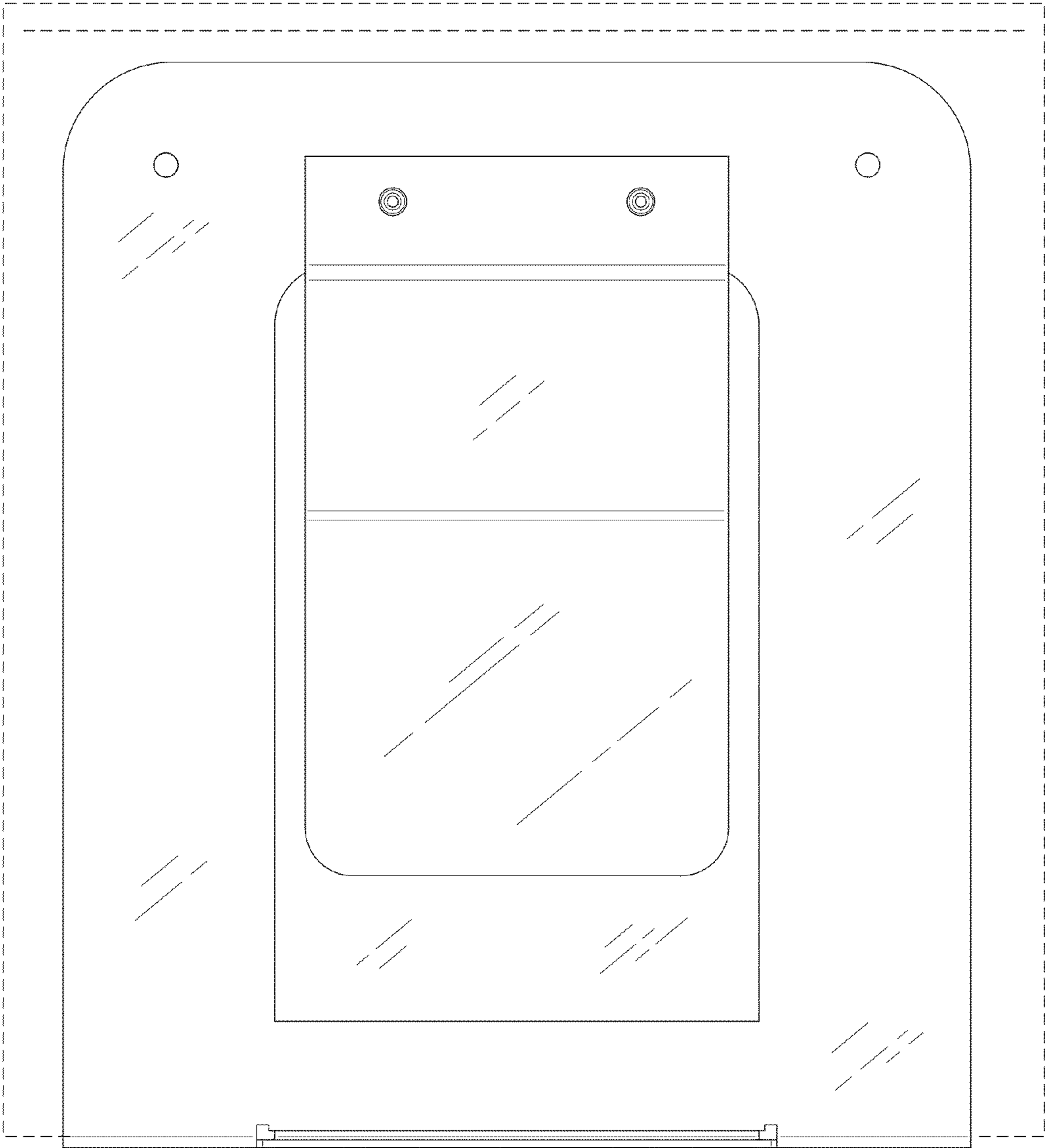


Fig. 3

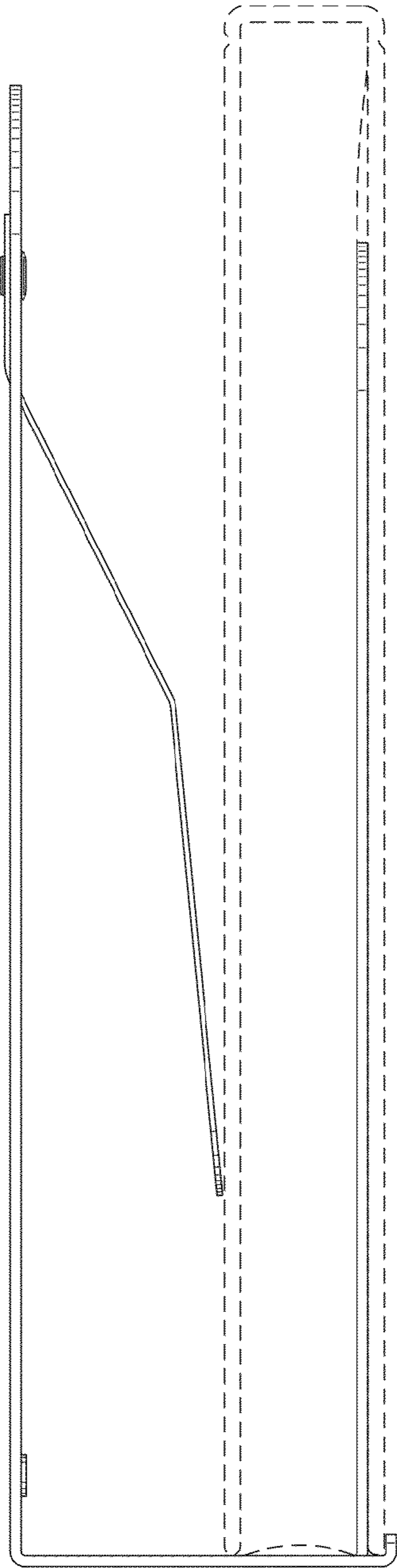


Fig. 4

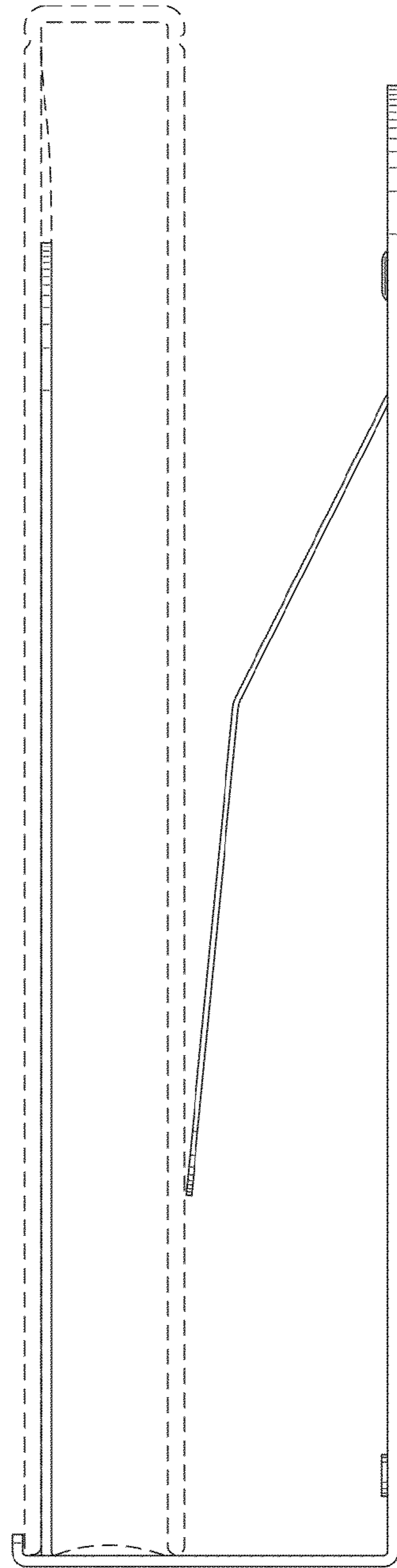


Fig. 5

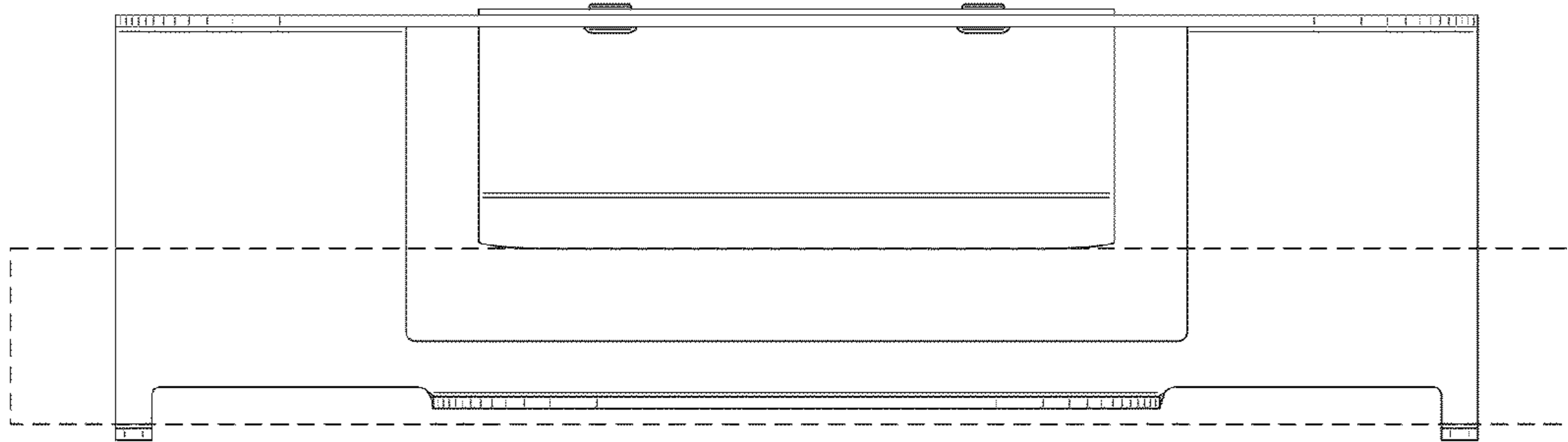


Fig. 6

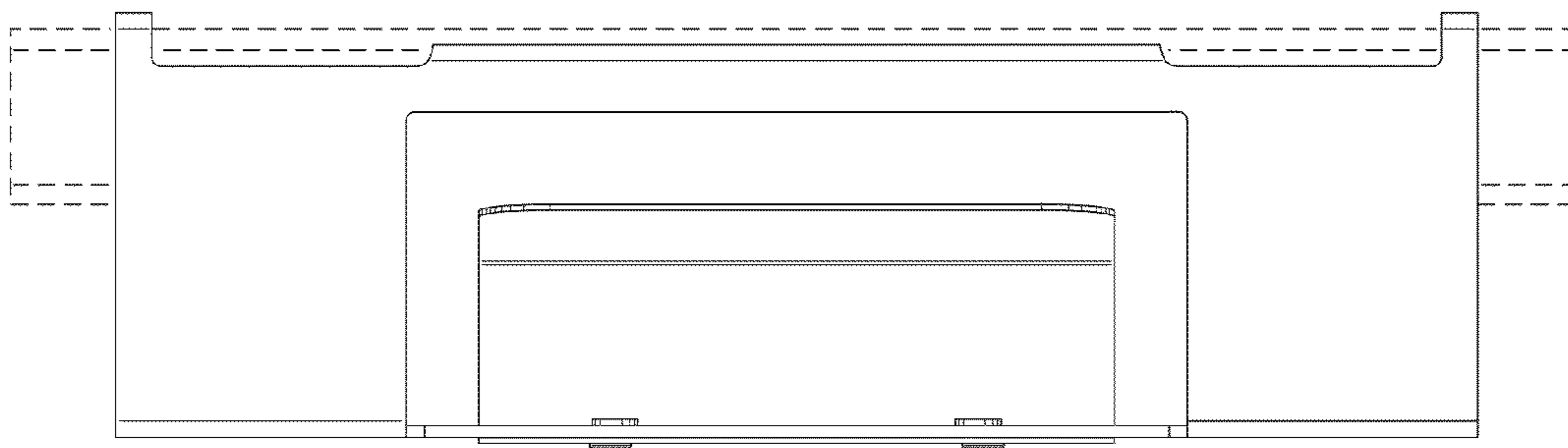


Fig. 7