



US00D731809S

(12) **United States Design Patent**
Beebe et al.

(10) **Patent No.:** **US D731,809 S**
(45) **Date of Patent:** **** Jun. 16, 2015**

(54) **SHAVING APPARATUS CONTAINER**

(56) **References Cited**

(71) Applicants: **Joel Beebe**, Columbus, OH (US);
Christos Ragias, New Albany, OH (US);
Matthew Seibert, Columbus, OH (US);
Christopher Hawker, Columbus, OH (US)

U.S. PATENT DOCUMENTS

D226,754 S *	4/1973	Glaberson	D9/748
D334,082 S *	3/1993	Tiramani et al.	D6/526
D360,069 S *	7/1995	Wang	D3/205
D681,938 S *	5/2013	Pan	D3/205

(72) Inventors: **Joel Beebe**, Columbus, OH (US);
Christos Ragias, New Albany, OH (US);
Matthew Seibert, Columbus, OH (US);
Christopher Hawker, Columbus, OH (US)

* cited by examiner

Primary Examiner — Brian N Vinson
(74) *Attorney, Agent, or Firm* — Louis C. Paul

(73) Assignee: **Evriholder Products, LLC**, Anaheim, CA (US)

(57) **CLAIM**

The ornamental design for a shaving apparatus container, as shown and described.

(**) Term: **14 Years**

(21) Appl. No.: **29/488,707**

DESCRIPTION

(22) Filed: **Apr. 22, 2014**

(51) **LOC (10) Cl.** **28-03**

(52) **U.S. Cl.**
USPC **D6/526**

(58) **Field of Classification Search**
USPC D6/526, 524, 540, 534, 528; 211/13.1,
211/70.6, 87.01, 89.01, 66, 86.01; 248/200,
248/205.5, 309.1, 314, 127, 176.1;
D9/748-749; 206/208, 209, 228, 361,
206/362, 362.1, 362.2, 362.3; D3/205

FIG. 1 is a front view thereof.
FIG. 2 is a left-side thereof.
FIG. 3 is a right-side view thereof.
FIG. 4 is a rear view of thereof.
FIG. 5 is a top view thereof.
FIG. 6 is a bottom view thereof.
FIG. 7 is a bottom perspective view thereof.
FIG. 8 is a top perspective view thereof; and,
FIG. 9 is an exploded view thereof.

See application file for complete search history.

1 Claim, 9 Drawing Sheets

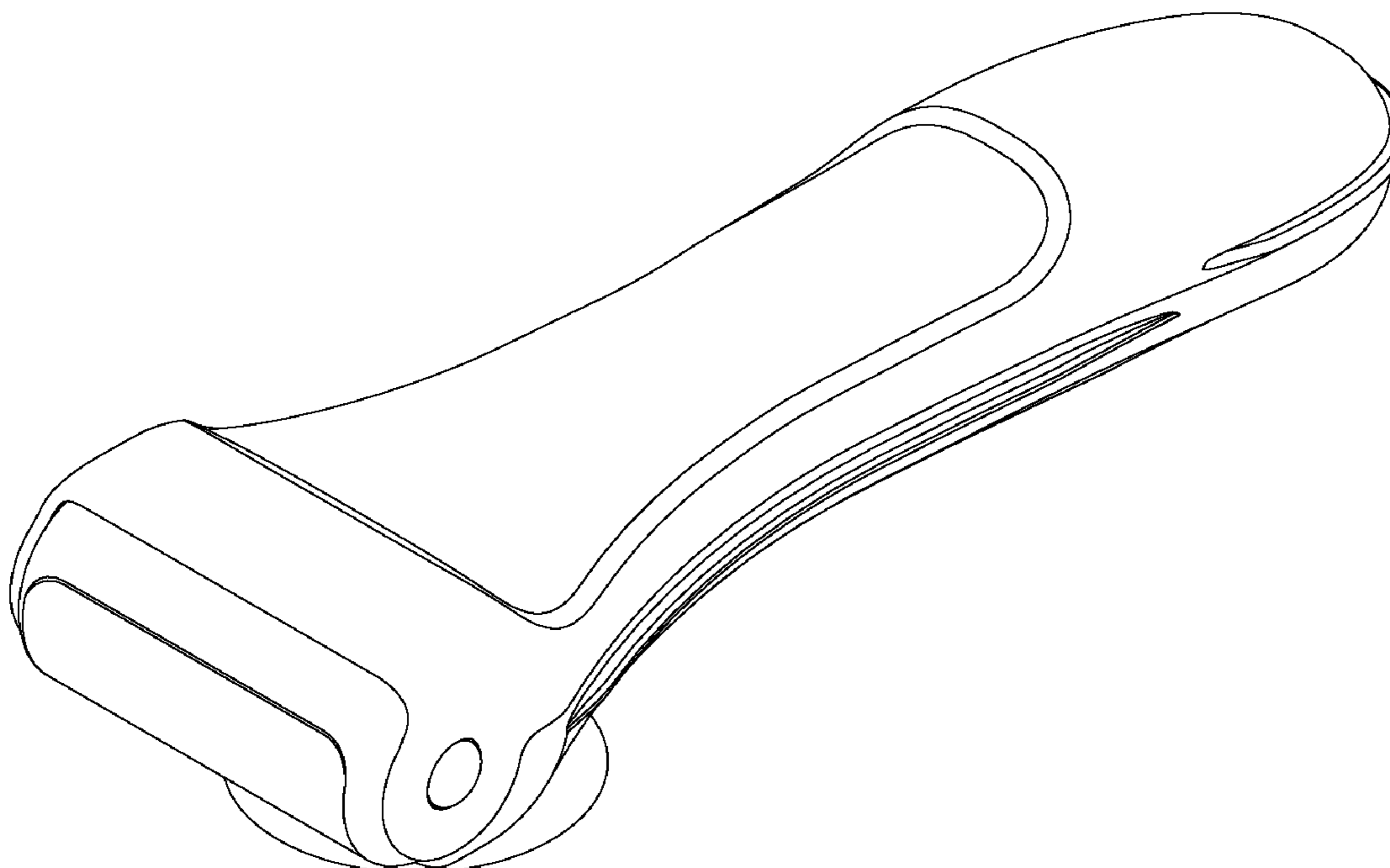


Fig. 1

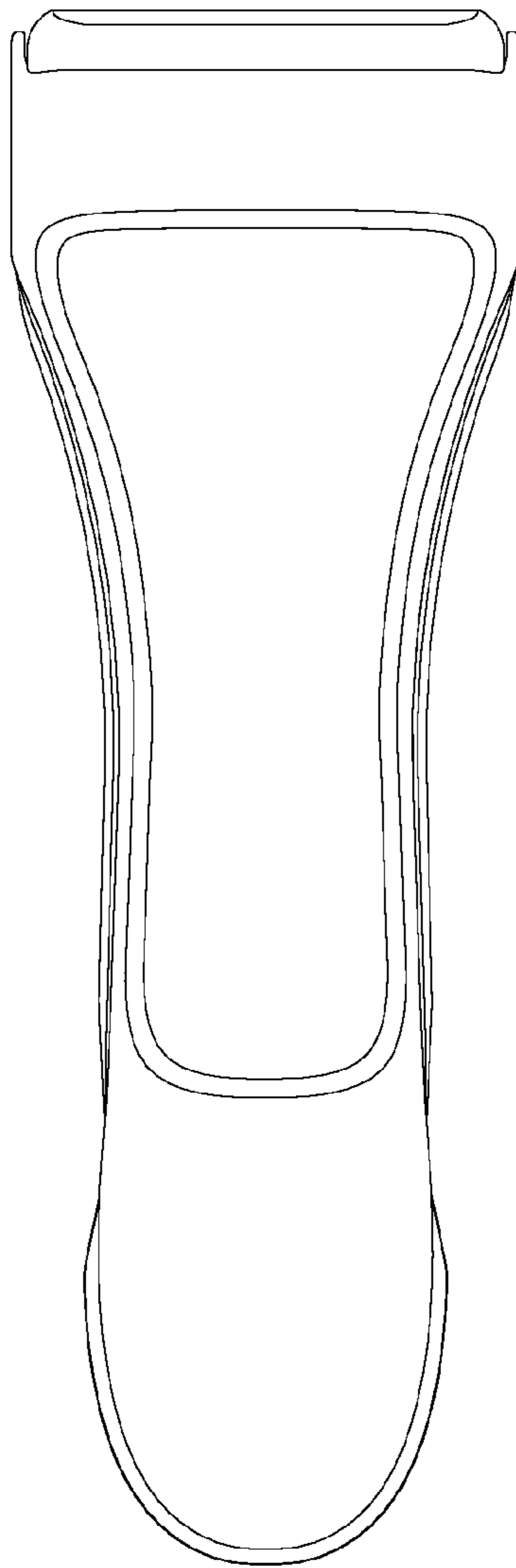


Fig. 2

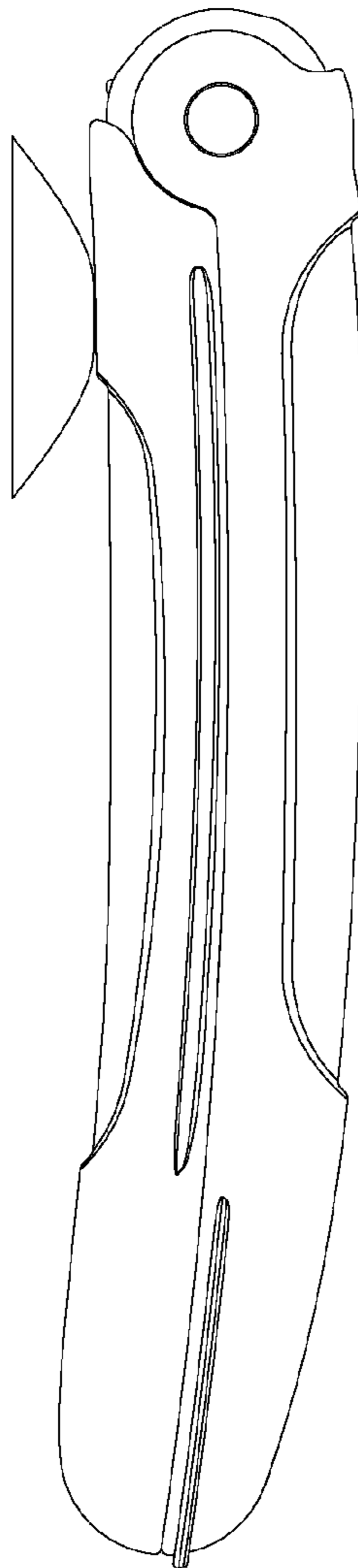


Fig. 3

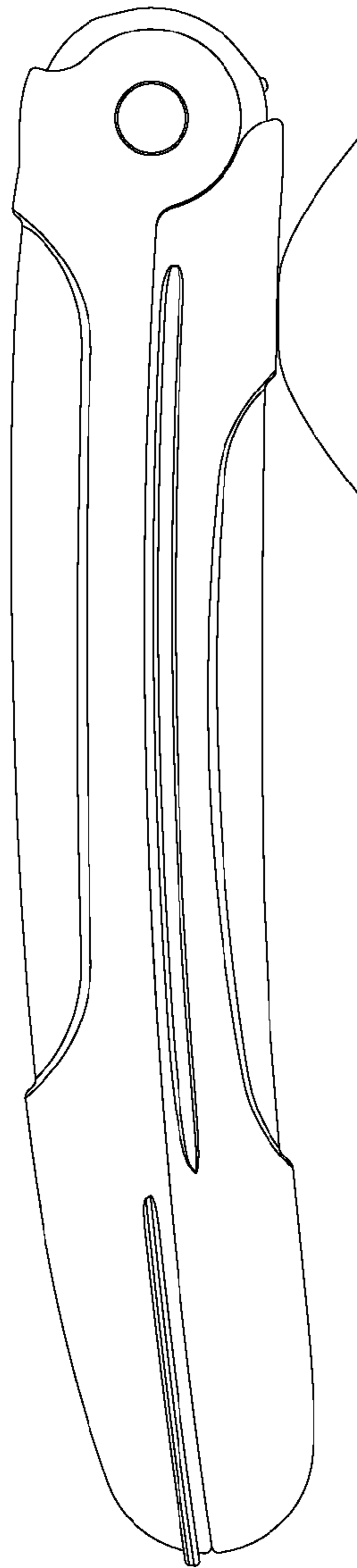


Fig. 4

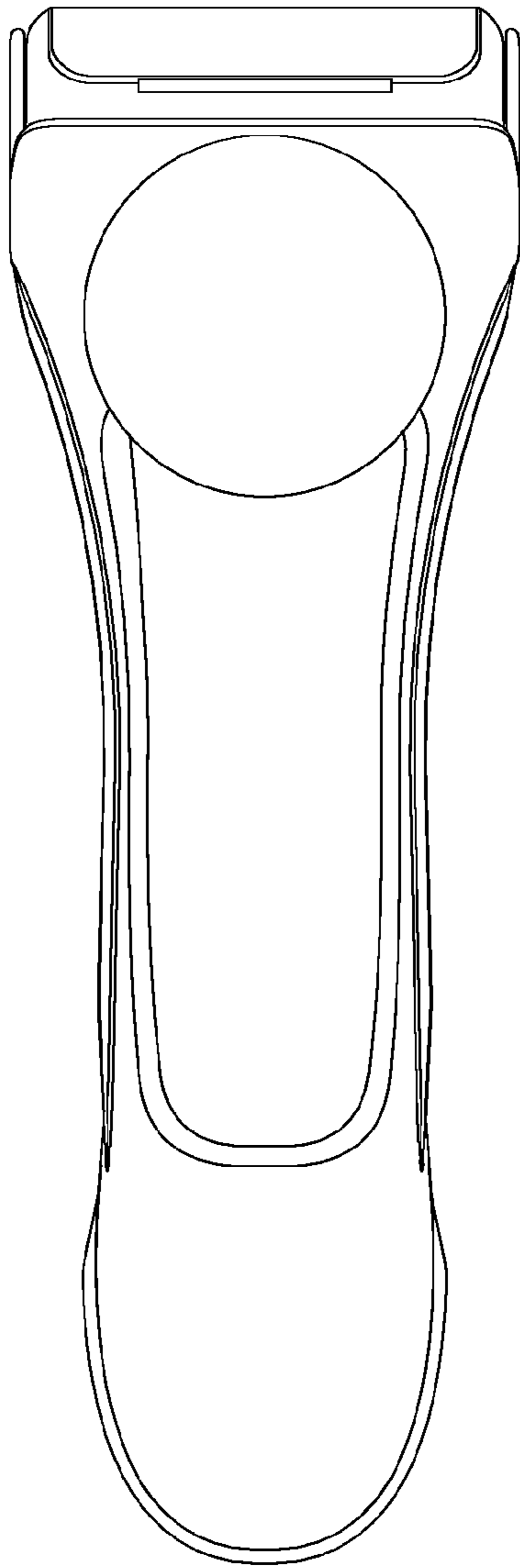


Fig. 5

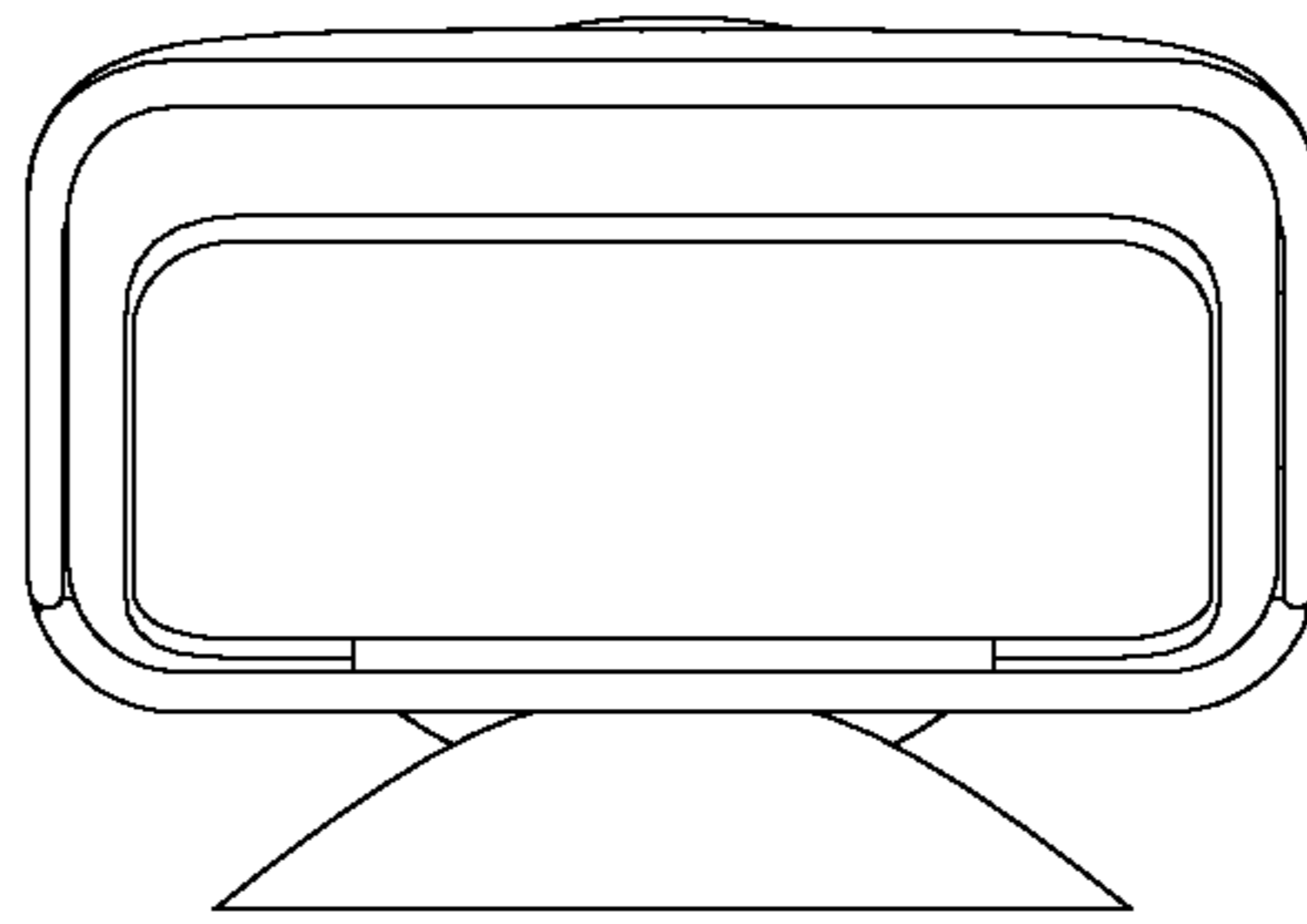


Fig. 6

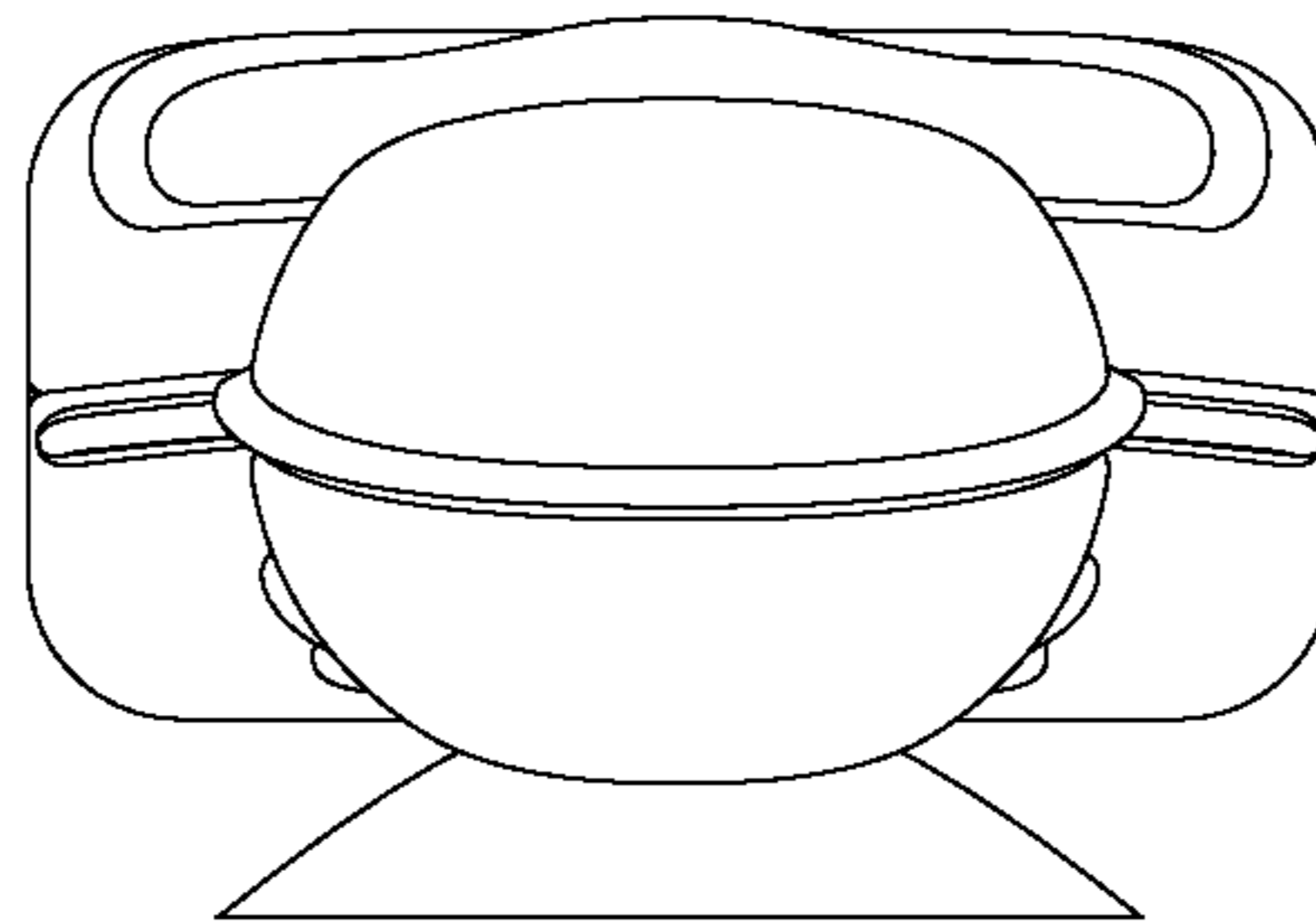


Fig. 7

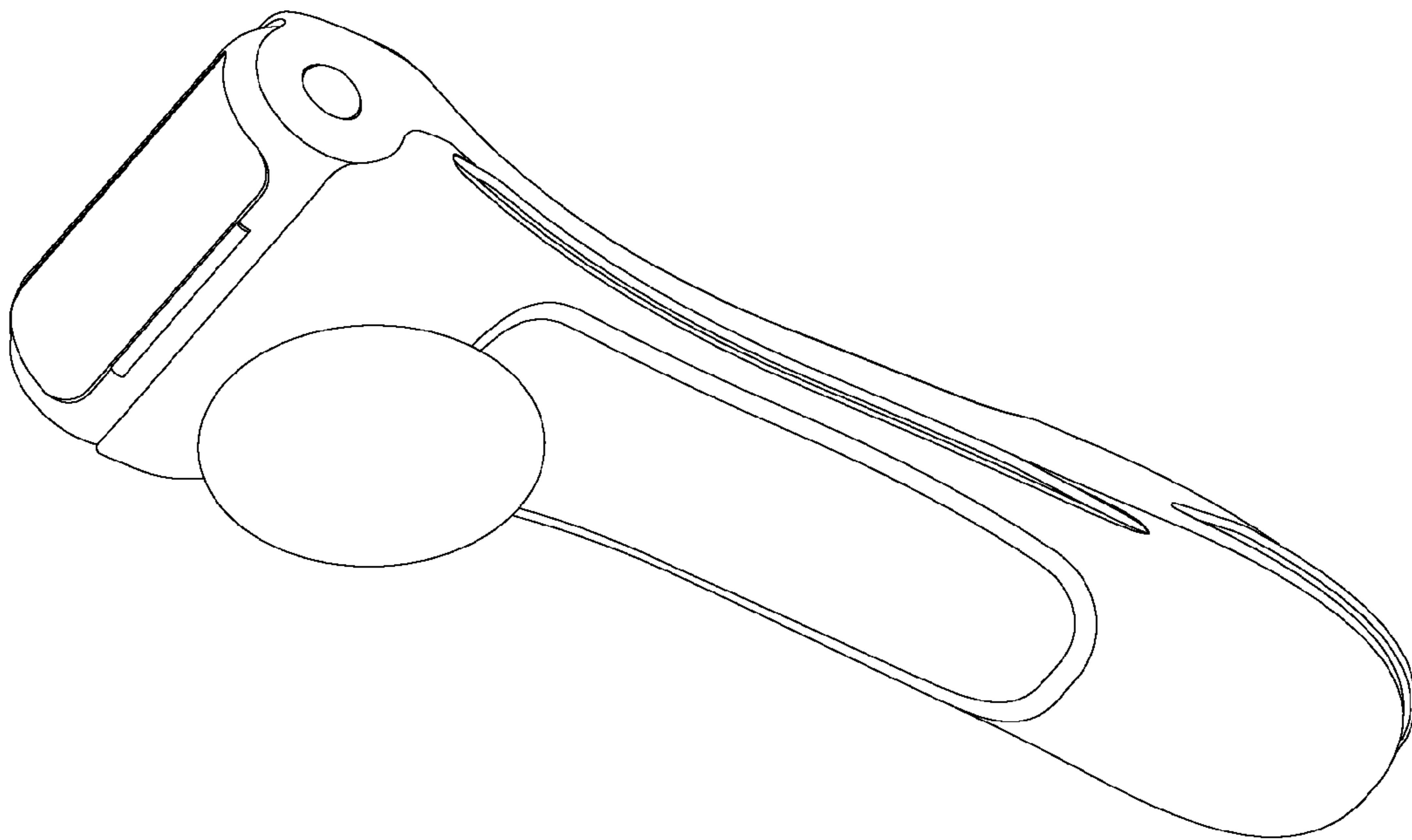


Fig. 8

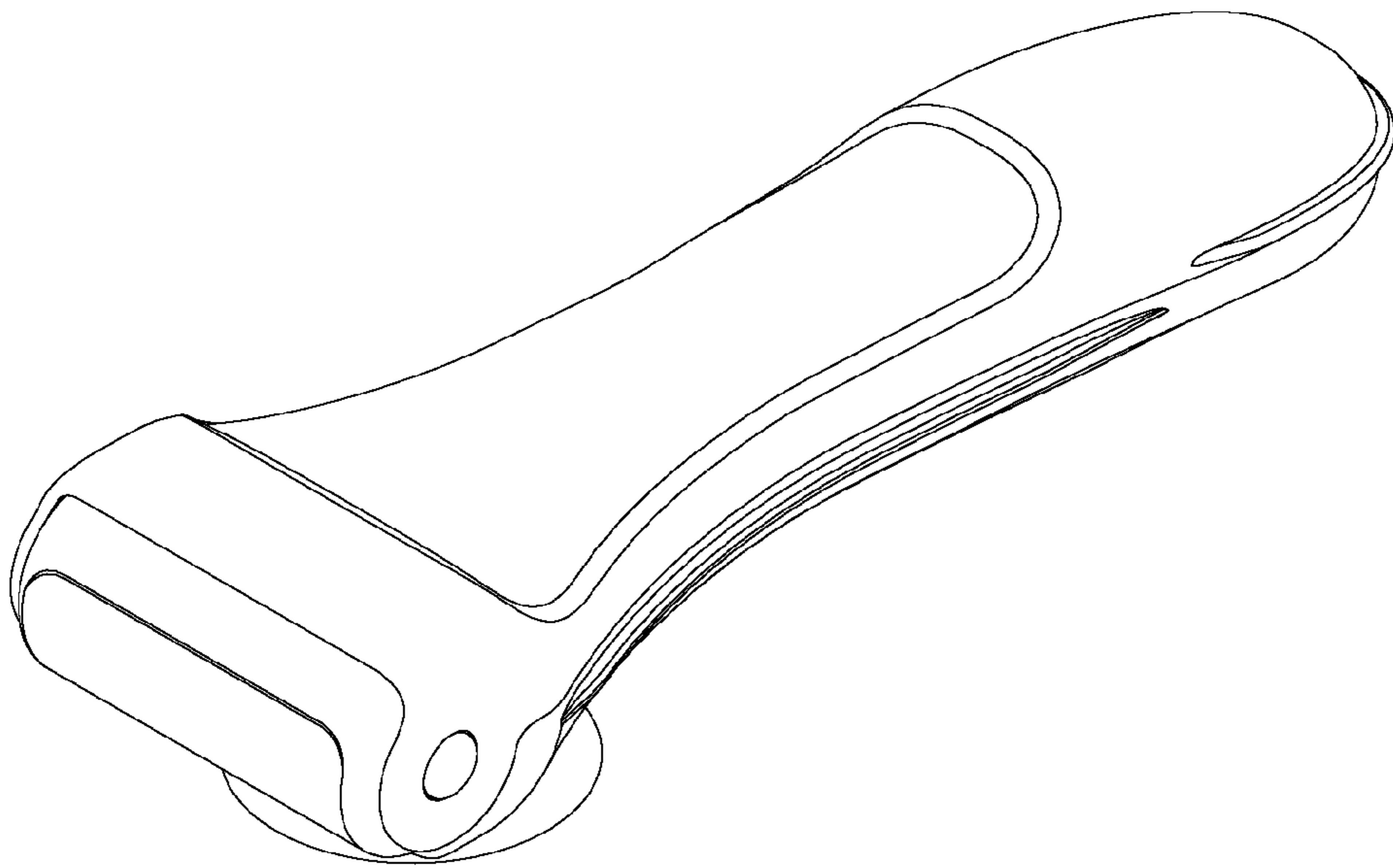


Fig. 9

