



US00D731808S

(12) **United States Design Patent**  
**Hazem**

(10) **Patent No.:** **US D731,808 S**

(45) **Date of Patent:** **\*\* Jun. 16, 2015**

(54) **TRANSPARENT KITCHEN ROLL BOX**

(71) Applicant: **Katija Hazem**, Fremont, CA (US)

(72) Inventor: **Katija Hazem**, Fremont, CA (US)

(\*\*) Term: **14 Years**

(21) Appl. No.: **29/470,940**

(22) Filed: **Oct. 25, 2013**

(51) **LOC (10) Cl.** ..... **20-02**

(52) **U.S. Cl.**

USPC ..... **D6/518**

(58) **Field of Classification Search**

USPC ..... D6/515-523; 206/225, 233, 389, 391,  
206/812, 824, 63.5; 211/13.1, 45; 222/173,  
222/180; 221/16, 33, 282-283; 242/925,  
242/570, 590; 248/309.1, 309.2, 905;  
D9/307, 521, 529, 419, 420; D3/20,  
D3/301; D28/66

See application file for complete search history.

(56) **References Cited**

**U.S. PATENT DOCUMENTS**

5,038,934	A *	8/1991	Higashiyama	.....	206/389
D392,482	S *	3/1998	Seenath	.....	D6/515
D608,122	S *	1/2010	Horn et al.	.....	D6/515

\* cited by examiner

*Primary Examiner* — Brian N Vinson

(74) *Attorney, Agent, or Firm* — GSS Law Group

(57) **CLAIM**

The ornamental design for a transparent kitchen roll box, as shown and described.

**DESCRIPTION**

FIG. 1 is a perspective view of the transparent kitchen roll box; the broken lines are for illustrative purposes only and form no part of the claimed design.

FIG. 2 is a top elevation view of the transparent kitchen roll box; the broken lines are for illustrative purposes only and form no part of the claimed design.

FIG. 3 is a bottom elevation view of the transparent kitchen roll box; the broken lines are for illustrative purposes only and form no part of the claimed design.

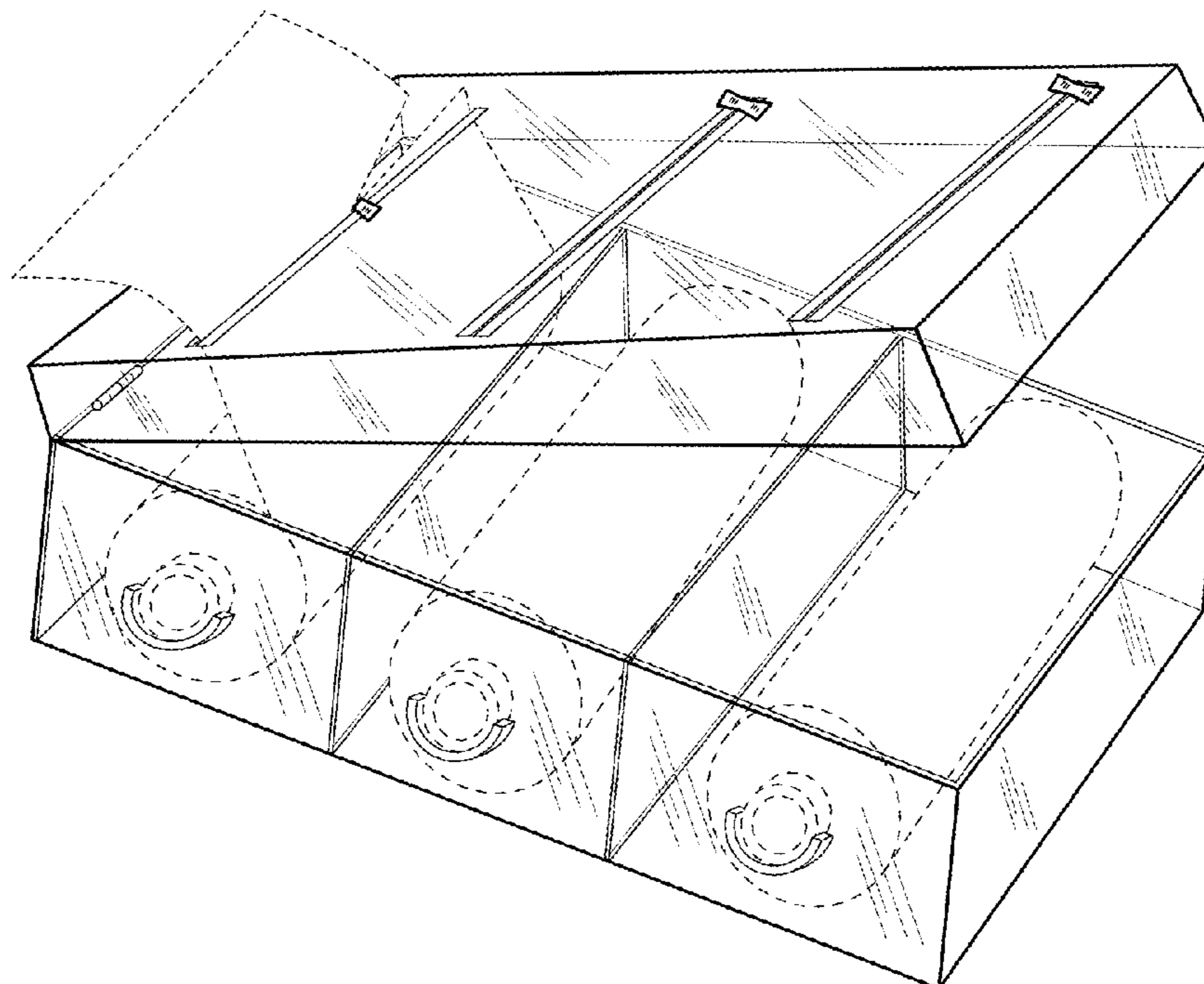
FIG. 4 is a front elevation view of the transparent kitchen roll box; the broken lines are for illustrative purposes only and form no part of the claimed design.

FIG. 5 is a back elevation view of the transparent kitchen roll box; the broken lines are for illustrative purposes only and form no part of the claimed design.

FIG. 6 is a left side elevation view of the transparent kitchen roll box; the broken lines are for illustrative purposes only and form no part of the claimed design; and,

FIG. 7 is a left side elevation view of the transparent kitchen roll box; the broken lines are for illustrative purposes only and form no part of the claimed design.

**1 Claim, 5 Drawing Sheets**



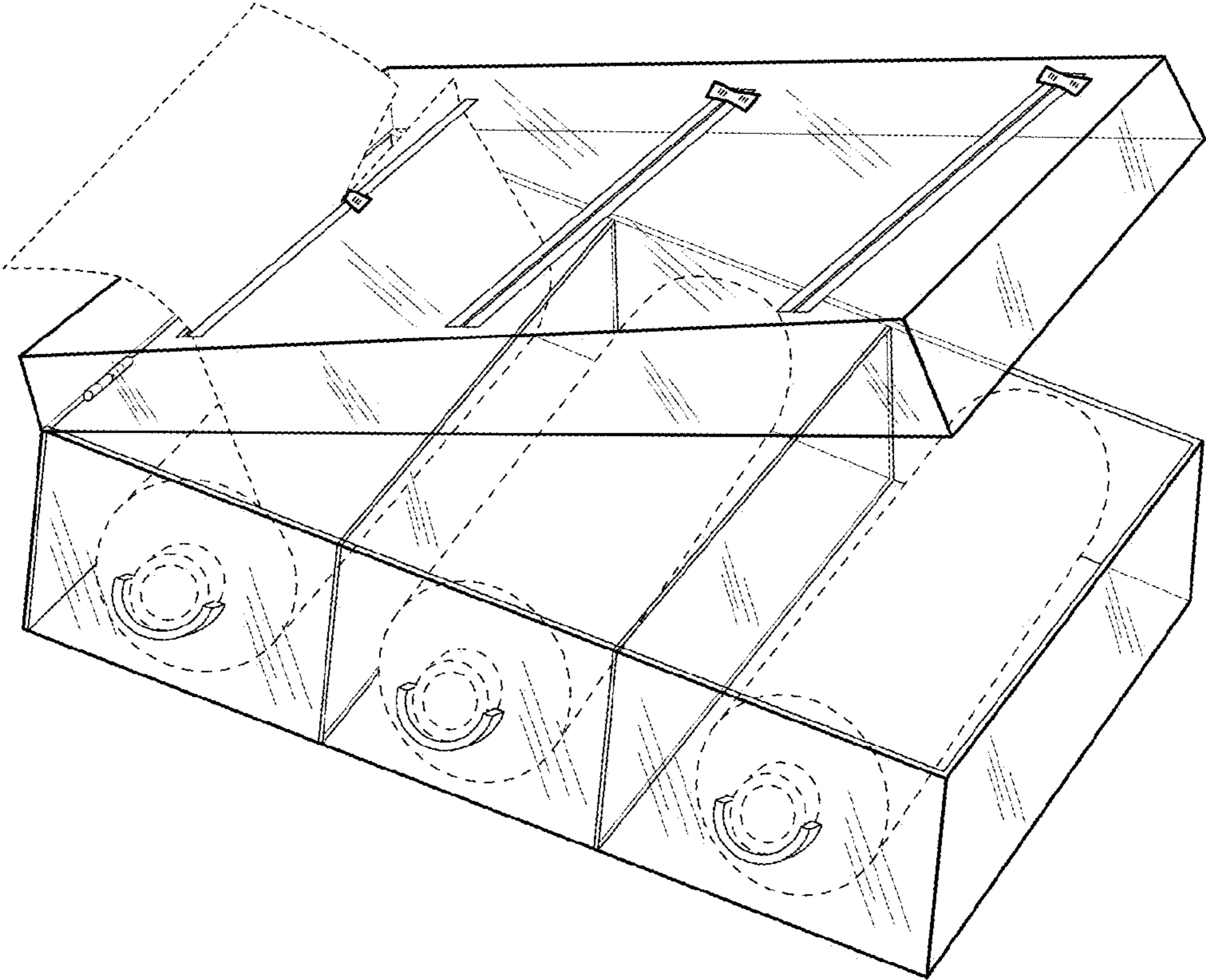


FIG. 1

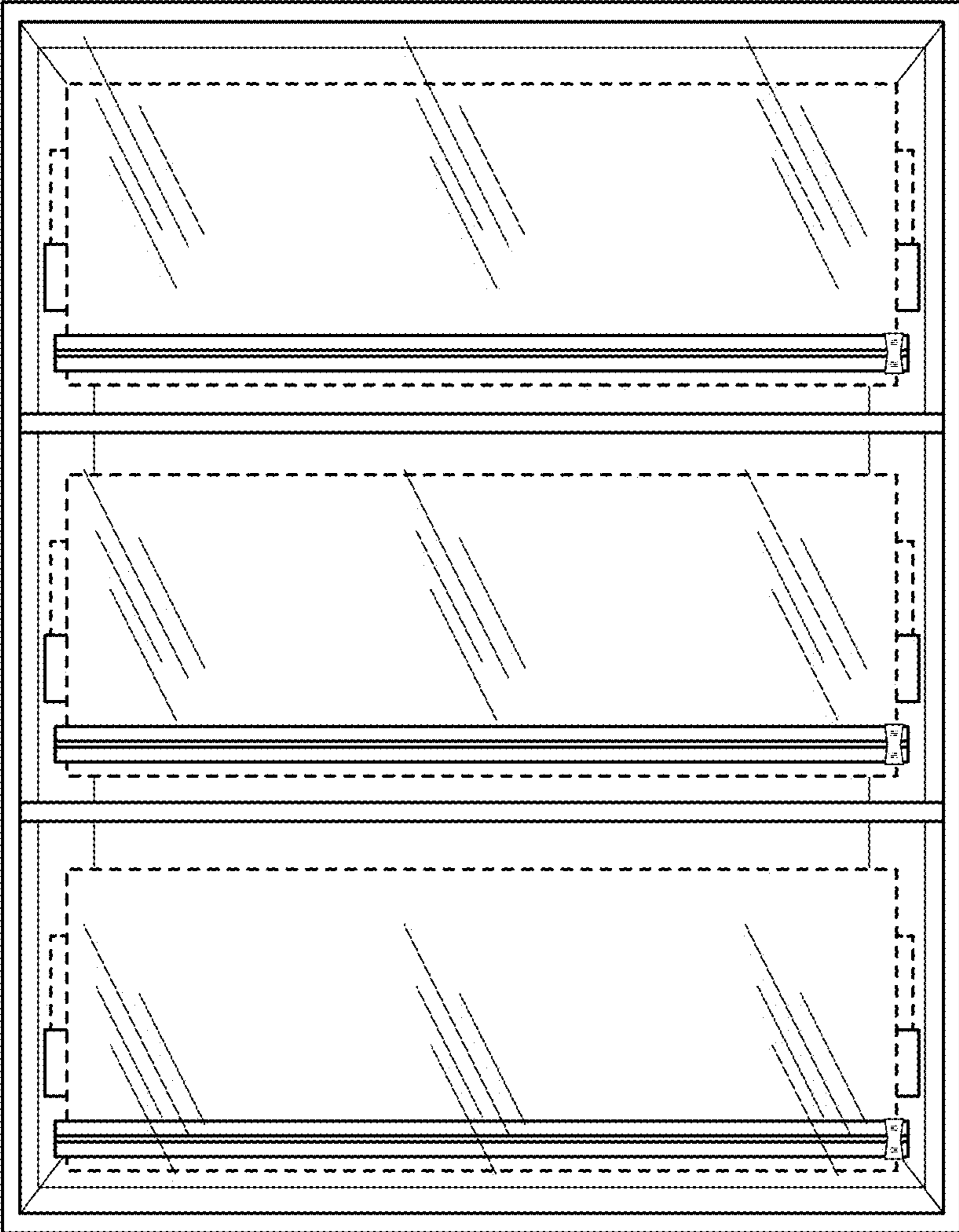


FIG. 2

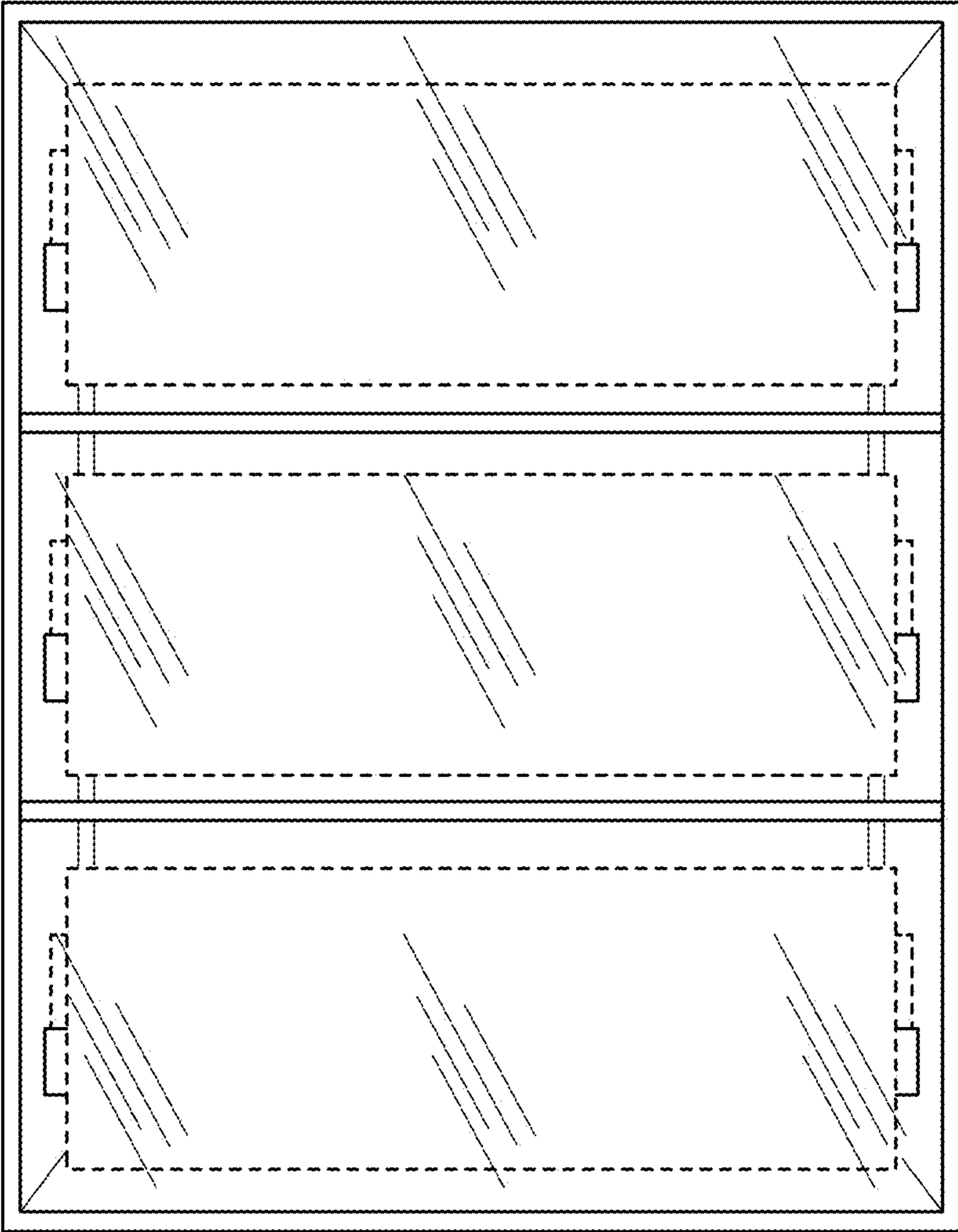


FIG. 3



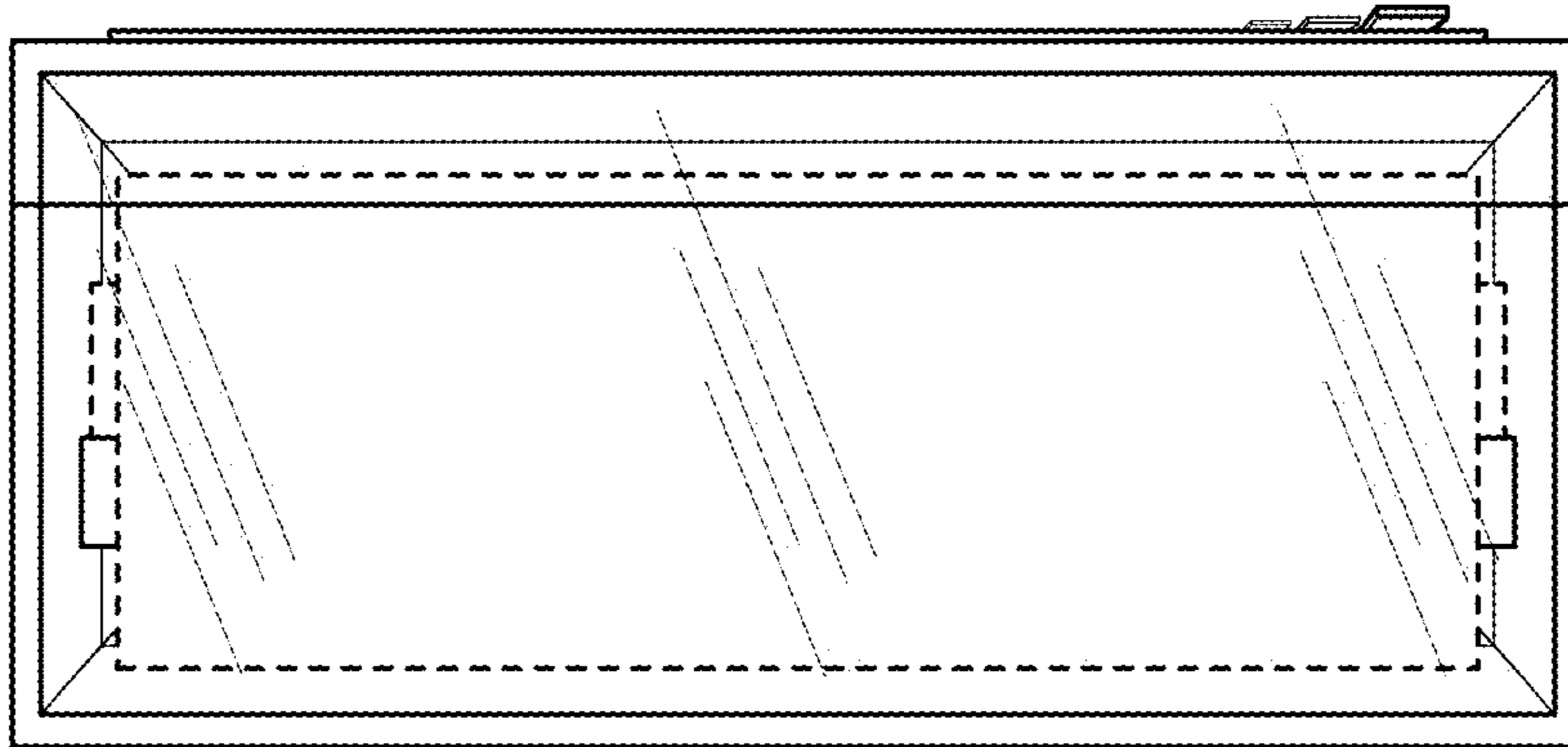


FIG. 4

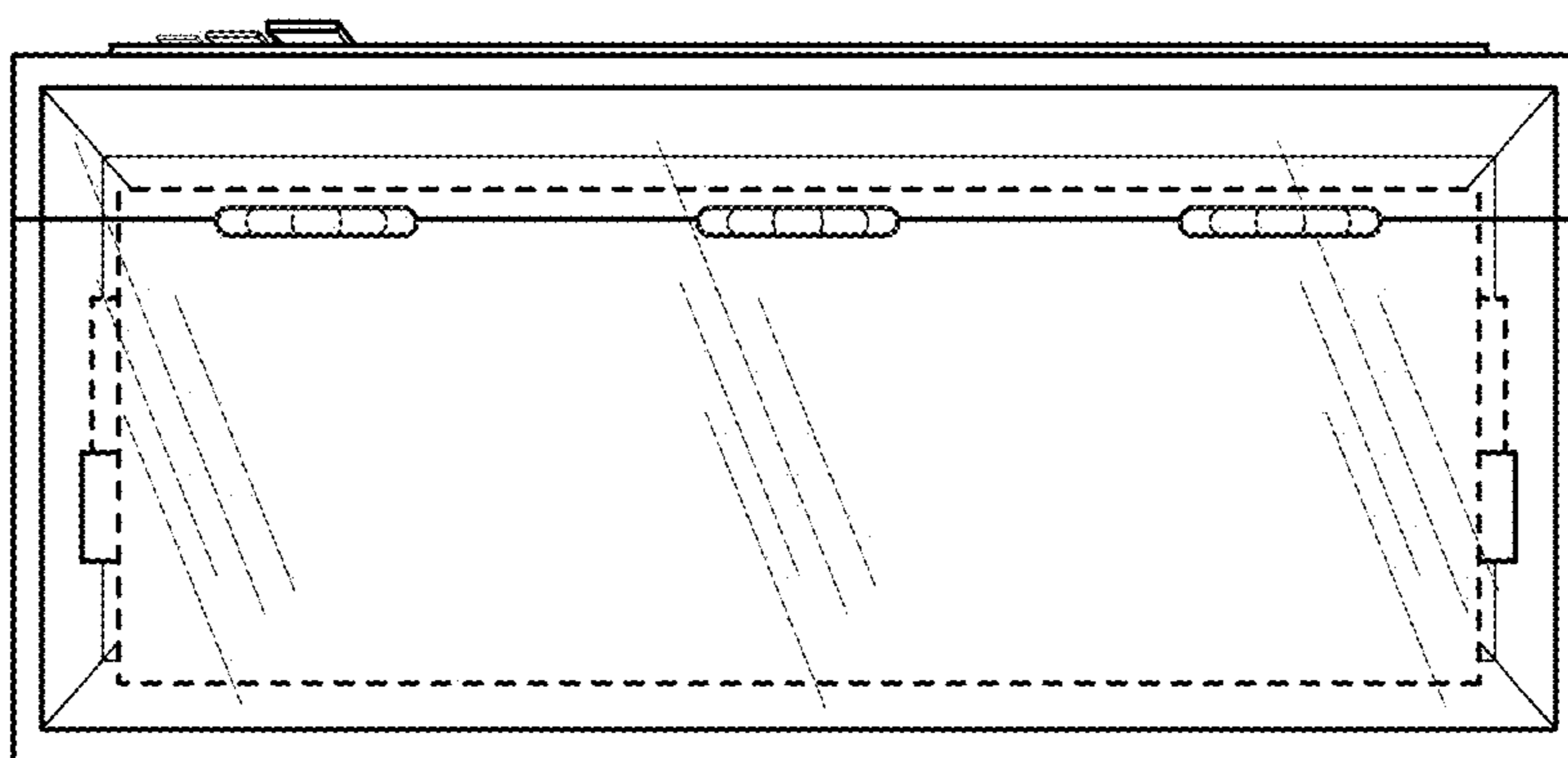


FIG. 5

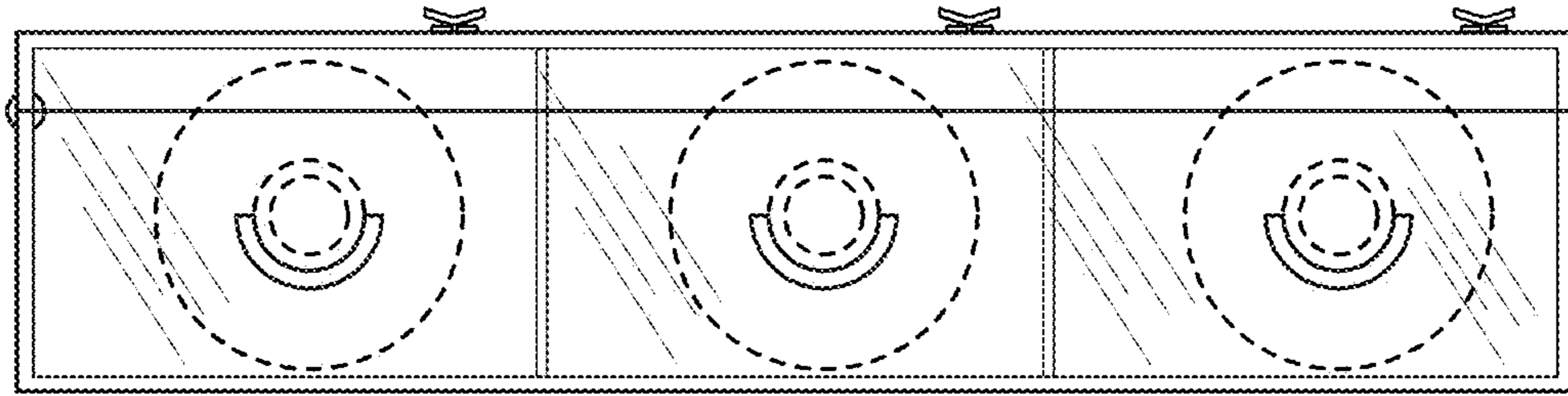


FIG. 6

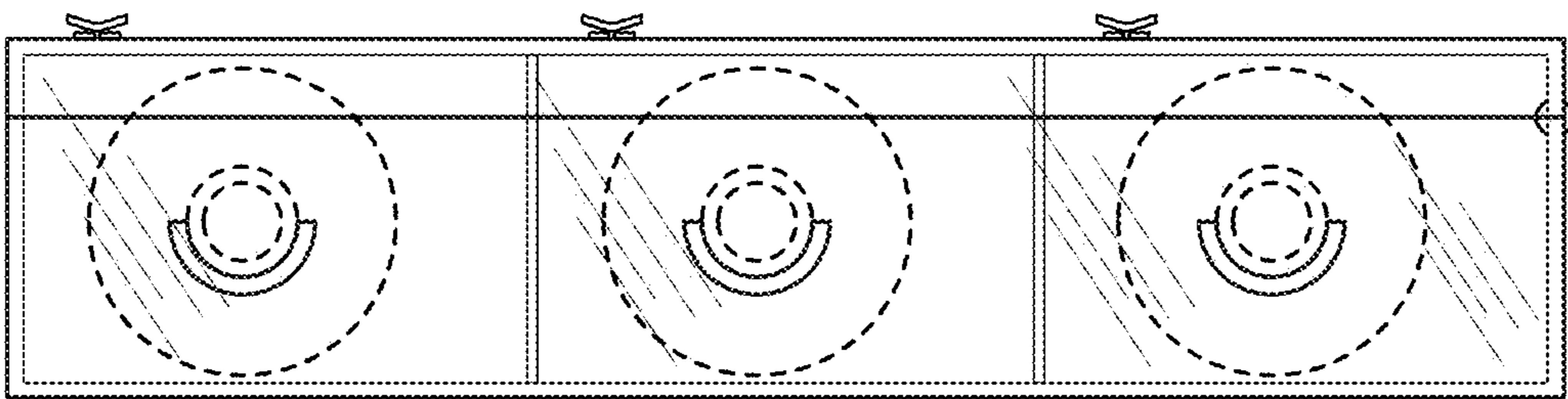


FIG. 7