



US00D731807S

(12) **United States Design Patent**
Cavagna

(10) **Patent No.:** **US D731,807 S**
(45) **Date of Patent:** **** Jun. 16, 2015**

- (54) **BED**
- (71) Applicant: **Mauro Cavagna**, Brescia (IT)
- (72) Inventor: **Mauro Cavagna**, Brescia (IT)
- (**) Term: **14 Years**
- (21) Appl. No.: **29/485,553**
- (22) Filed: **Mar. 20, 2014**
- (51) **LOC (10) Cl.** **06-02**
- (52) **U.S. Cl.**
USPC **D6/393**
- (58) **Field of Classification Search**
USPC D6/382, 383, 388, 389, 392-395,
D6/718.13; 5/53.1, 279.1, 280, 281, 907
See application file for complete search history.

- D602,708 S * 10/2009 Coleman et al. D6/393
- D612,630 S * 3/2010 Coleman D6/393
- 2003/0056289 A1 * 3/2003 Nockles 5/131
- 2010/0325801 A1 * 12/2010 Tucker 5/636

* cited by examiner

Primary Examiner — Janice Seeger

(74) *Attorney, Agent, or Firm* — Thomas|Horstemeyer, LLP

(57) **CLAIM**

The ornamental design for a bed, as shown and described.

DESCRIPTION

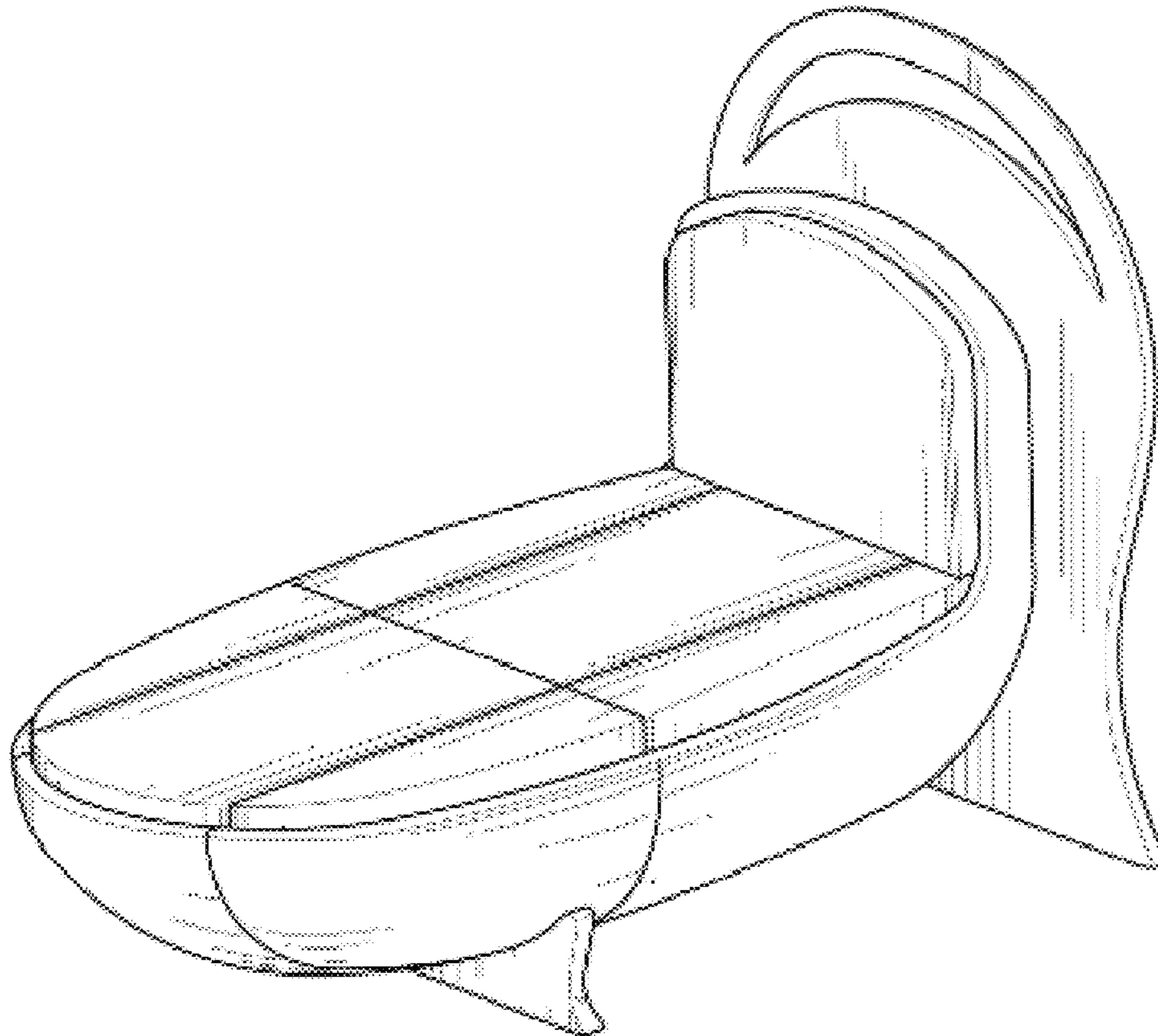
FIG. 1 is a perspective view of my new bed;
 FIG. 2 is a left side elevational view of my new bed of FIG. 1;
 FIG. 3 is a right side elevational view of my new bed from a side opposite that of FIG. 2;
 FIG. 4 is a front elevational view of my new bed;
 FIG. 5 is a rear elevational view of my new bed, opposite that of FIG. 4;
 FIG. 6 is a top plan view of my new bed; and,
 FIG. 7 is a bottom plan view of my new bed.

(56) **References Cited**

U.S. PATENT DOCUMENTS

- D232,137 S * 7/1974 Peltier D6/333
- D561,404 S * 2/2008 Lee D30/118

1 Claim, 7 Drawing Sheets



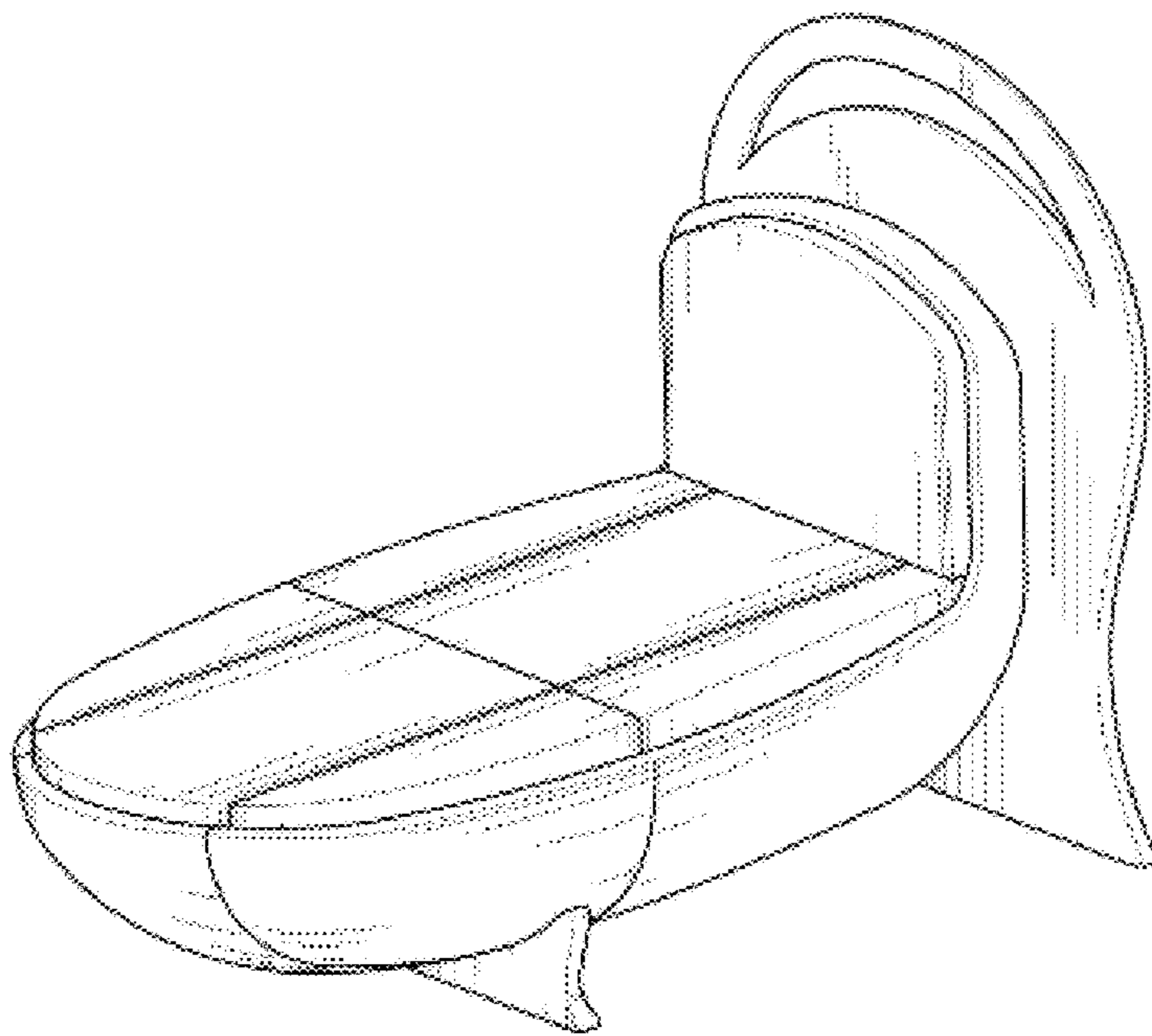


FIG. 1

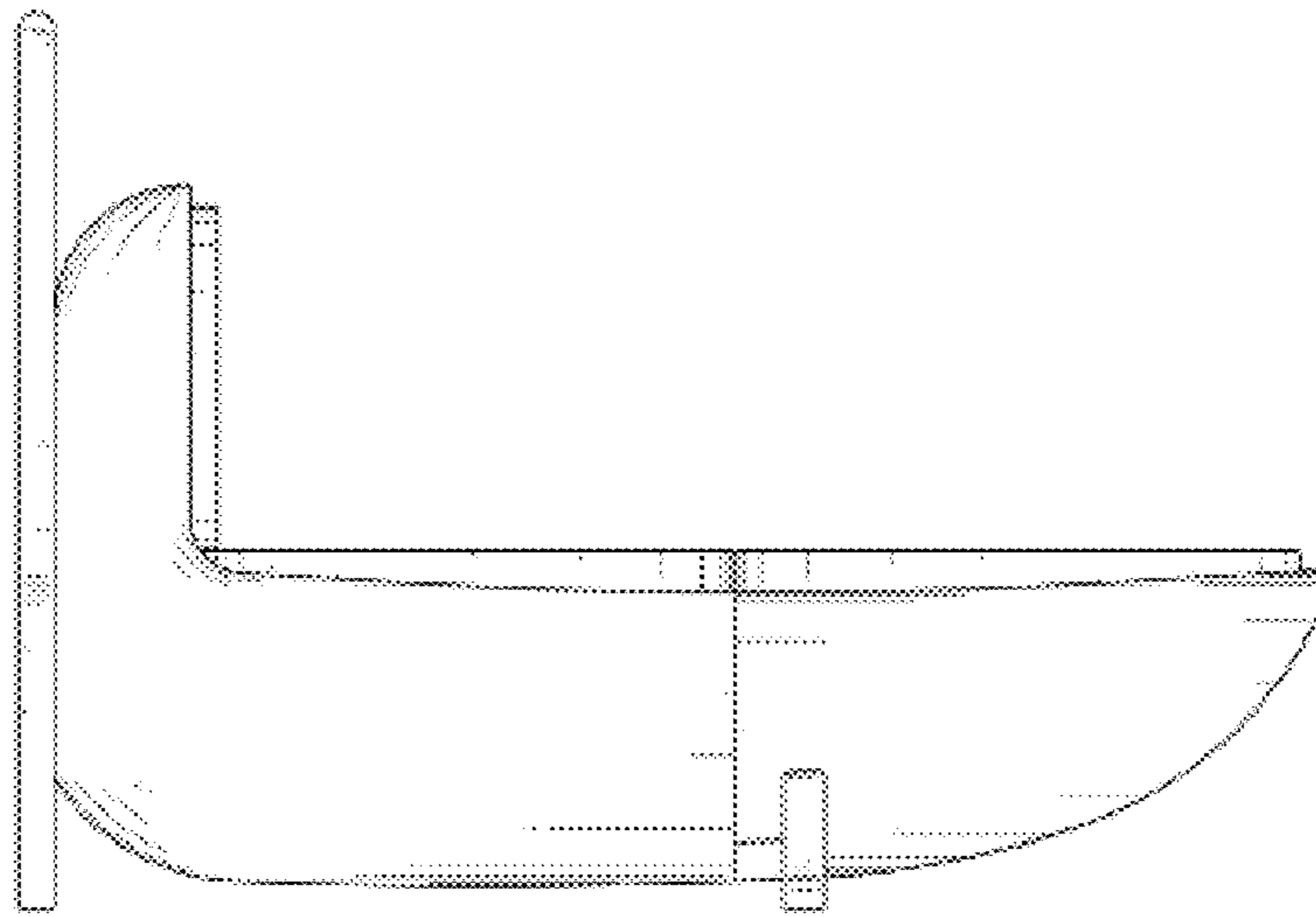


FIG. 2

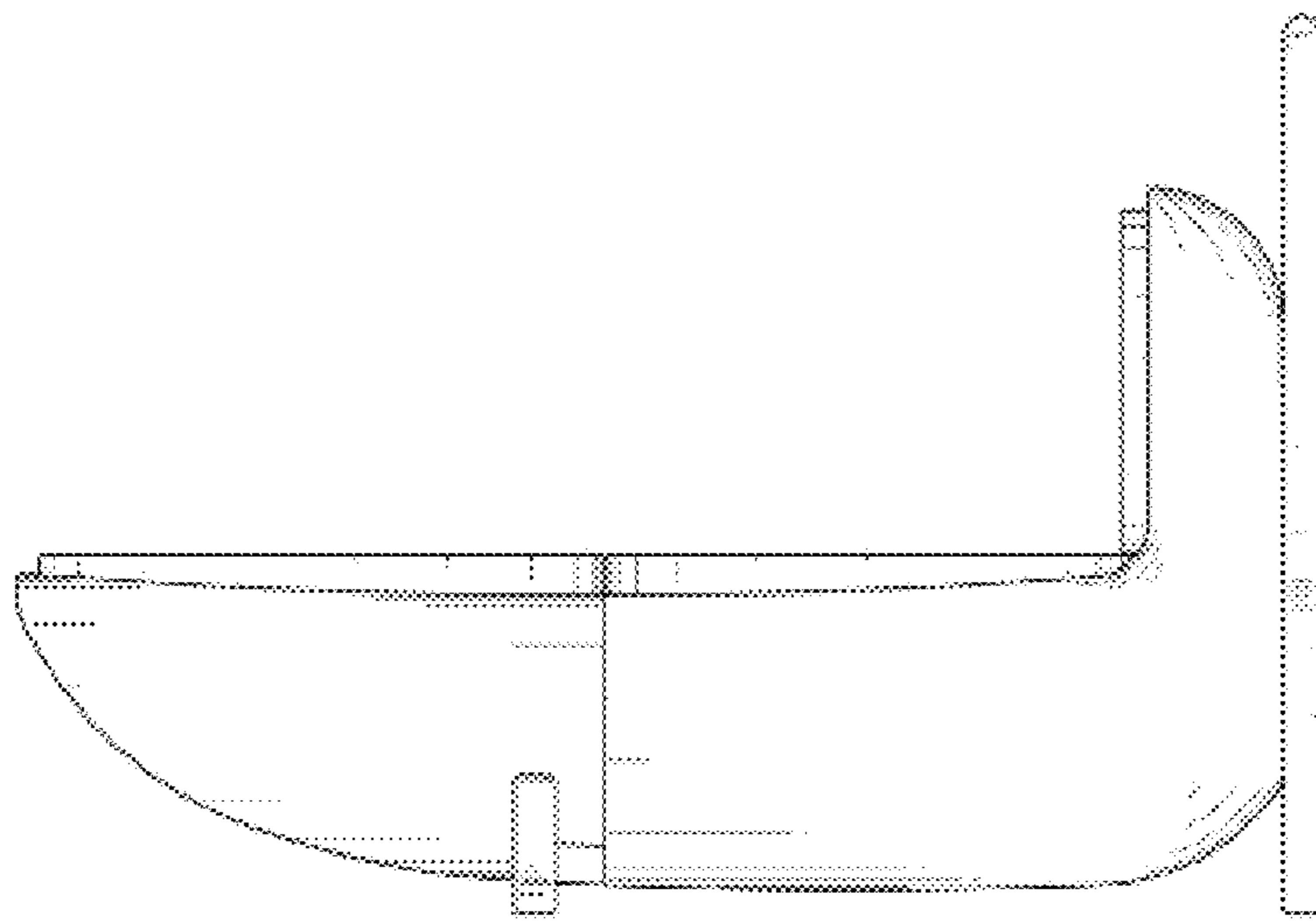


FIG. 3

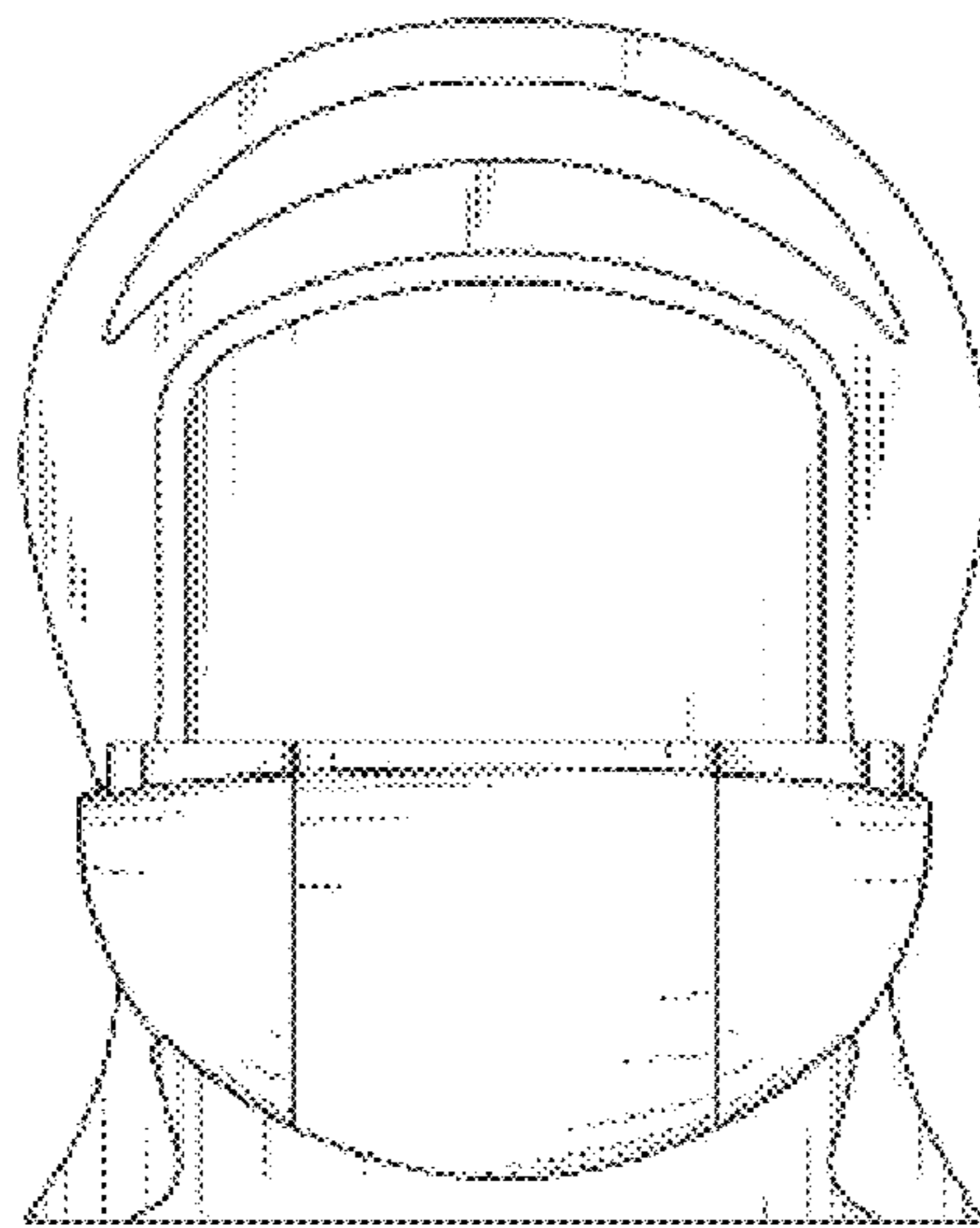


FIG. 4

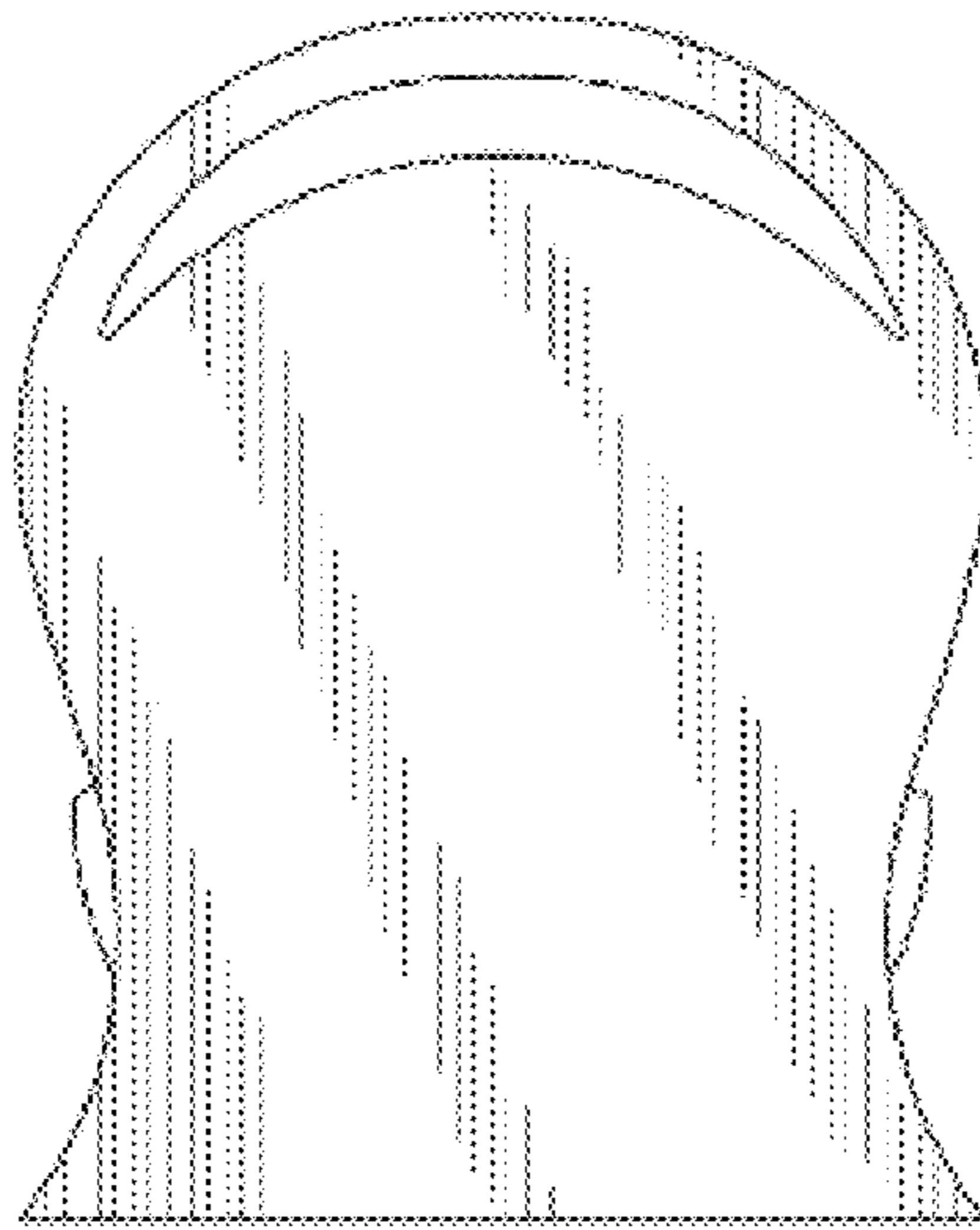


FIG. 5

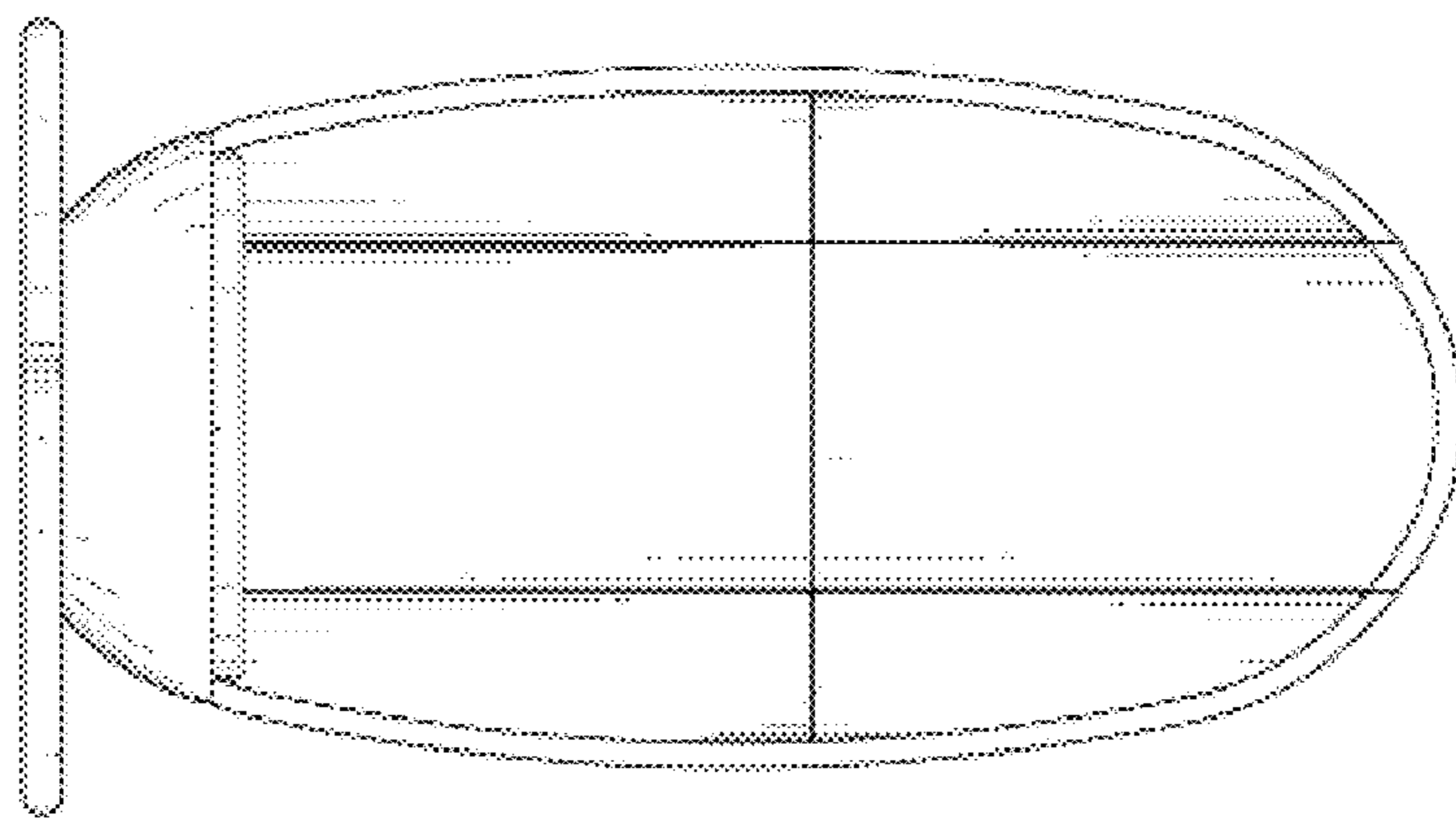


FIG. 6

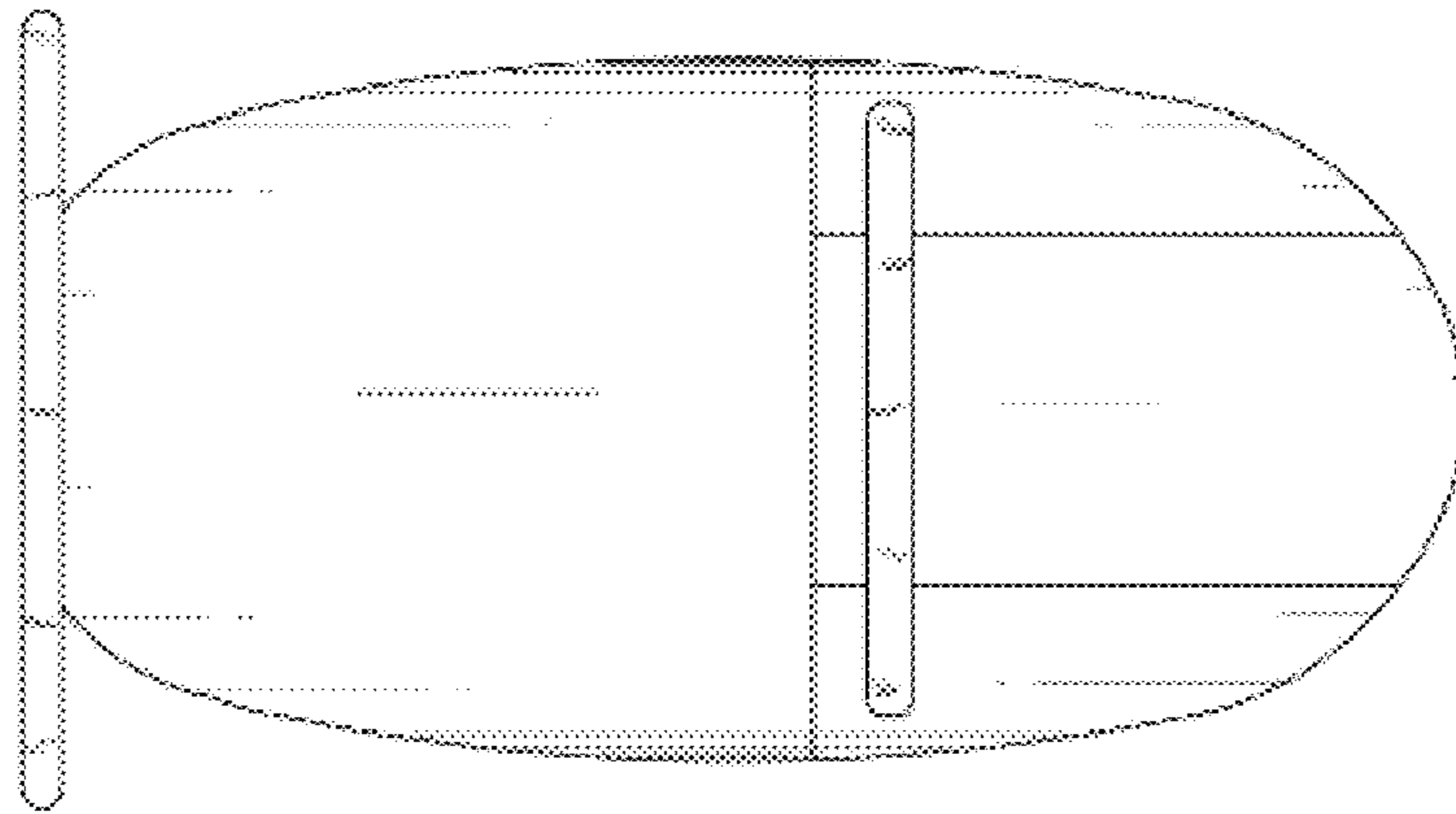


FIG. 7