

US00D731806S

(12) **United States Design Patent**  
**Olano Jauregui**

(10) **Patent No.:** **US D731,806 S**  
(45) **Date of Patent:** **\*\* Jun. 16, 2015**

(54) **CHAIR**

(56) **References Cited**

(71) Applicant: **EREDU, S. Coop.**, Legorreta  
(Gipuzkoa) (ES)  
(72) Inventor: **Juan Carlos Olano Jauregui**, Legorreta  
(ES)  
(73) Assignee: **EREDU, S. COOP.**, Legorreta (ES)  
(\*\*) Term: **14 Years**  
(21) Appl. No.: **29/493,793**

U.S. PATENT DOCUMENTS

4,648,653	A *	3/1987	Rowland	297/239
D314,285	S *	2/1991	Favaretto	D6/373
D396,760	S *	8/1998	Leib	D6/373
D412,410	S *	8/1999	Leib	D6/373
D433,578	S *	11/2000	Saul	D6/373
D518,304	S *	4/2006	Crescenti	D6/373
D592,876	S *	5/2009	Smith et al.	D6/380
D600,035	S *	9/2009	Olano Jauregui	D6/375
D618,004	S *	6/2010	DeSanta et al.	D6/366
D620,273	S *	7/2010	Brooks	D6/373
D648,563	S *	11/2011	Lievore et al.	D6/375
D655,102	S *	3/2012	Yetman et al.	D6/373
D685,208	S *	7/2013	Kumazawa	D6/716.3

\* cited by examiner

*Primary Examiner* — Ricky Pham  
(74) *Attorney, Agent, or Firm* — Lucas & Mercanti, LLP

(22) Filed: **Jun. 13, 2014**  
(51) **LOC (10) Cl.** ..... **06-01**  
(52) **U.S. Cl.**  
USPC ..... **D6/373**  
(58) **Field of Classification Search**  
USPC ..... D6/334–336, 360–381, 388, 403, 716,  
D6/716.1–716.4, 717; 297/239, 411.42,  
297/411.43, 445.1, 446.1, 447.3, 448.1,  
297/448.2, 451.3  
CPC ..... A47C 3/023; A47C 3/04; A47C 3/12;  
A47C 3/14; A47C 4/02; A47C 4/03; A47C  
4/04; A47C 5/04; A47C 5/06

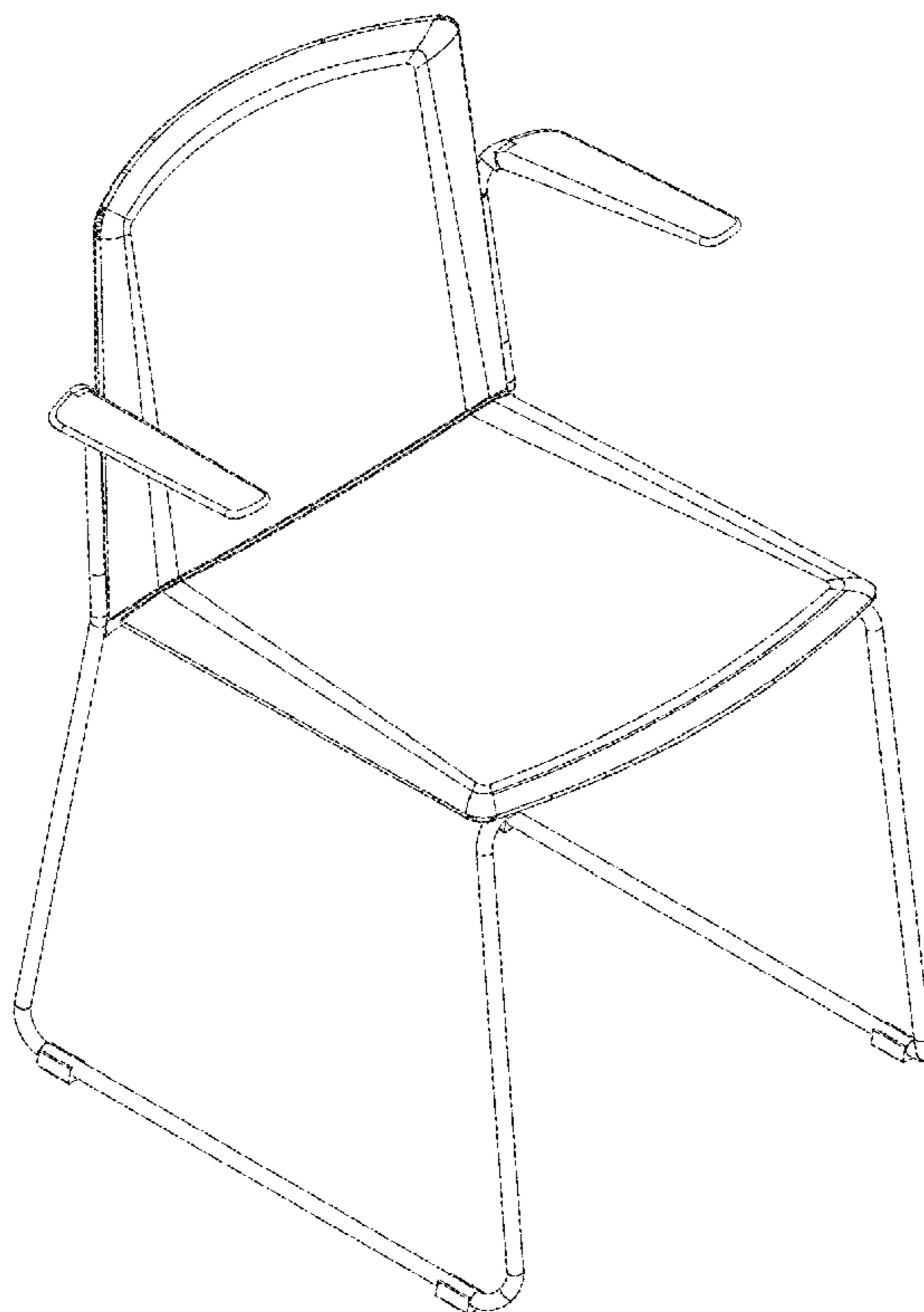
(57) **CLAIM**  
The ornamental design for a chair, substantially as shown and described.

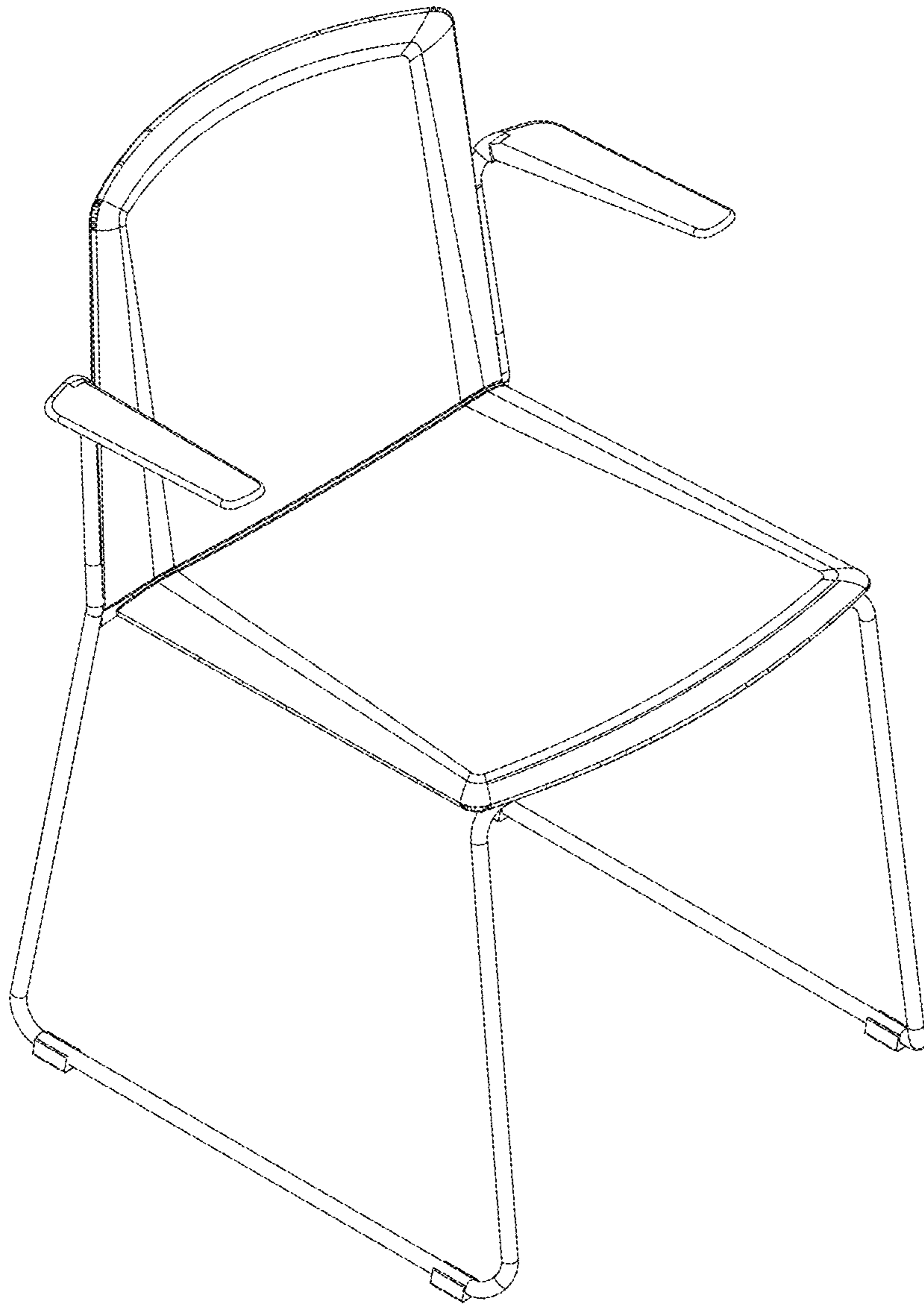
**DESCRIPTION**

FIG. 1 is a perspective view of my chair design;  
FIG. 2 is a front view thereof;  
FIG. 3 is a top view thereof;  
FIG. 4 is a left-side view thereof;  
FIG. 5 is a back view thereof;  
FIG. 6 is a bottom view thereof; and,  
FIG. 7 is a right-side view thereof.

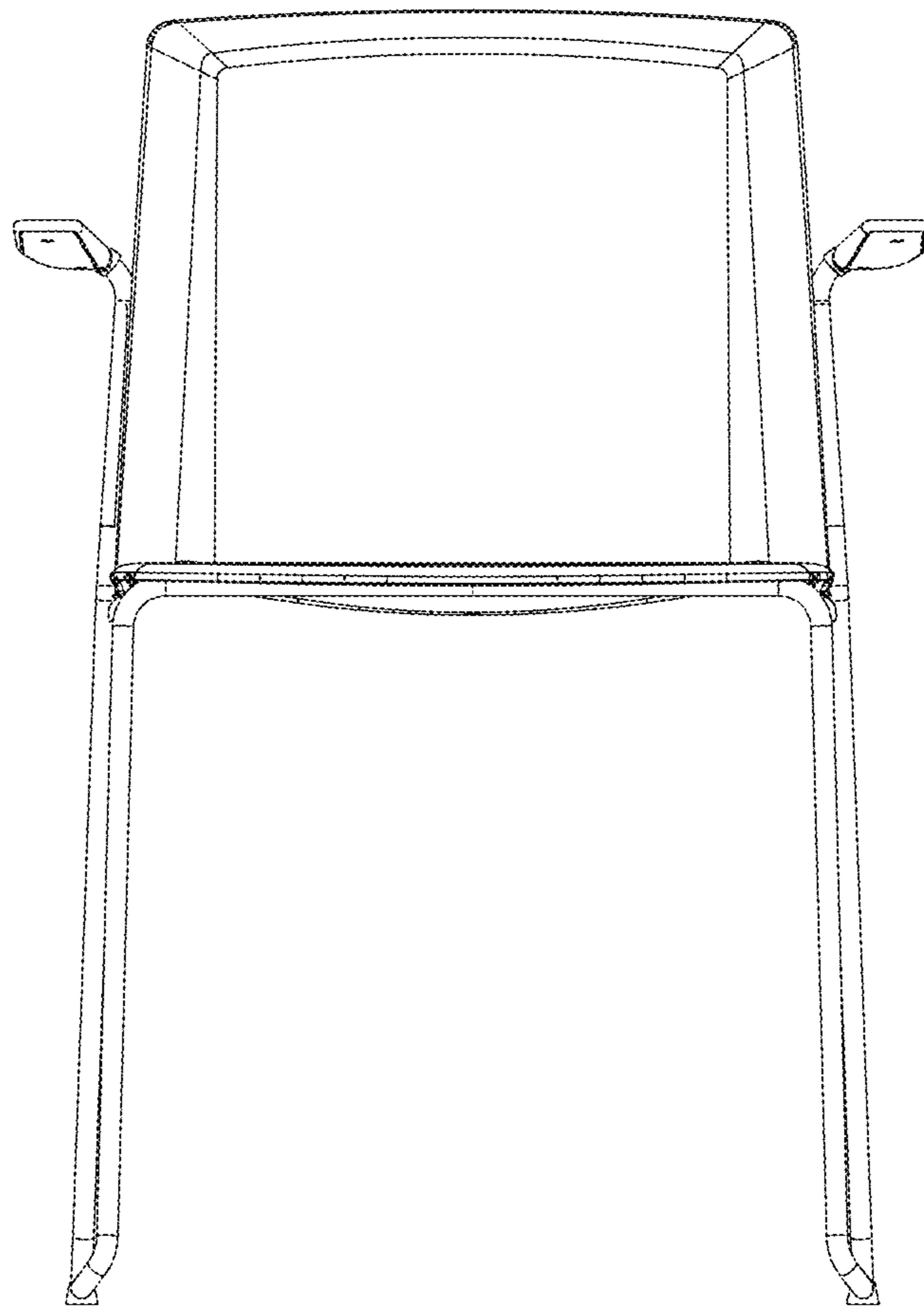
See application file for complete search history.

**1 Claim, 7 Drawing Sheets**

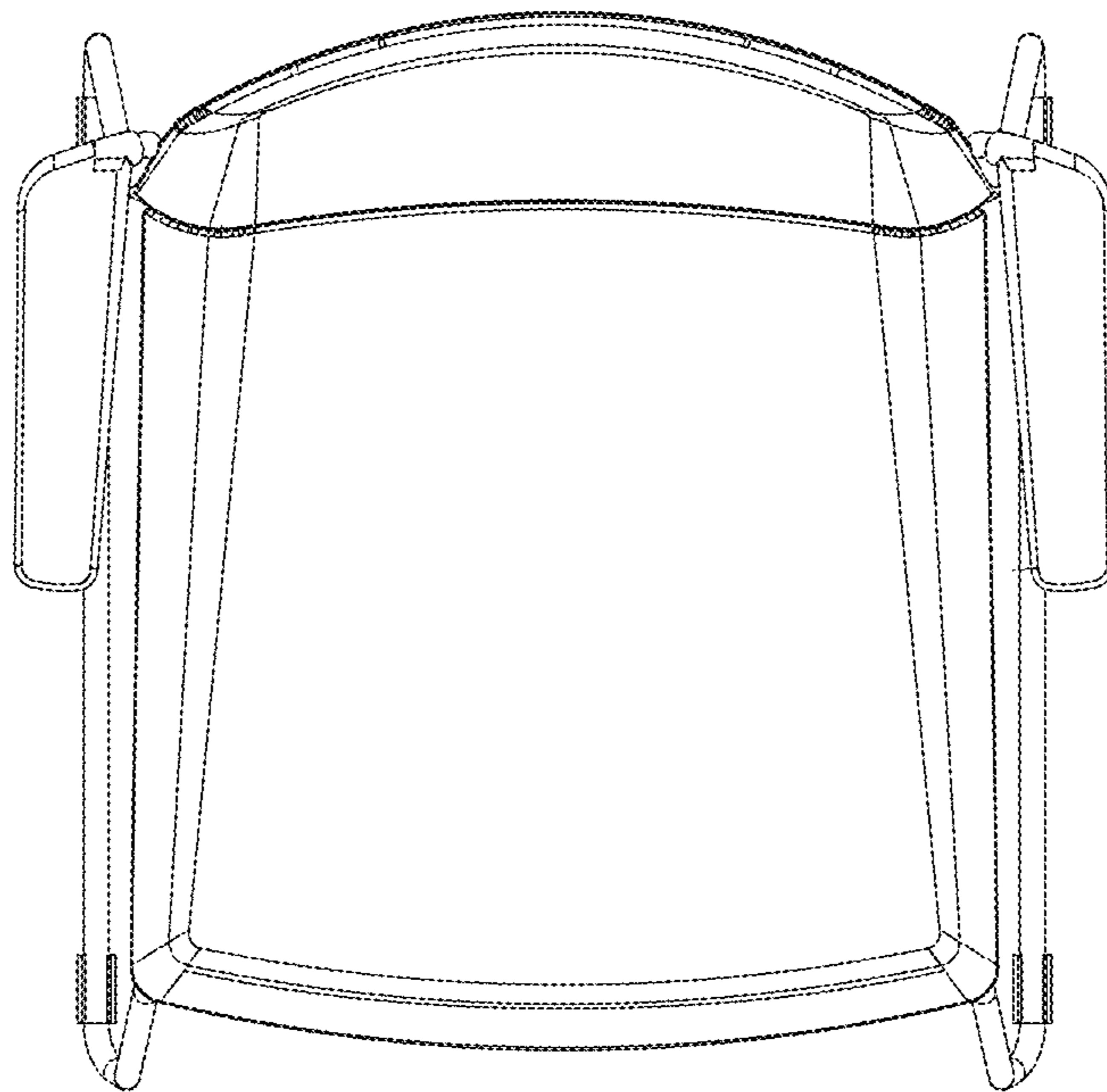




**FIG. 1**



**FIG. 2**



**FIG. 3**

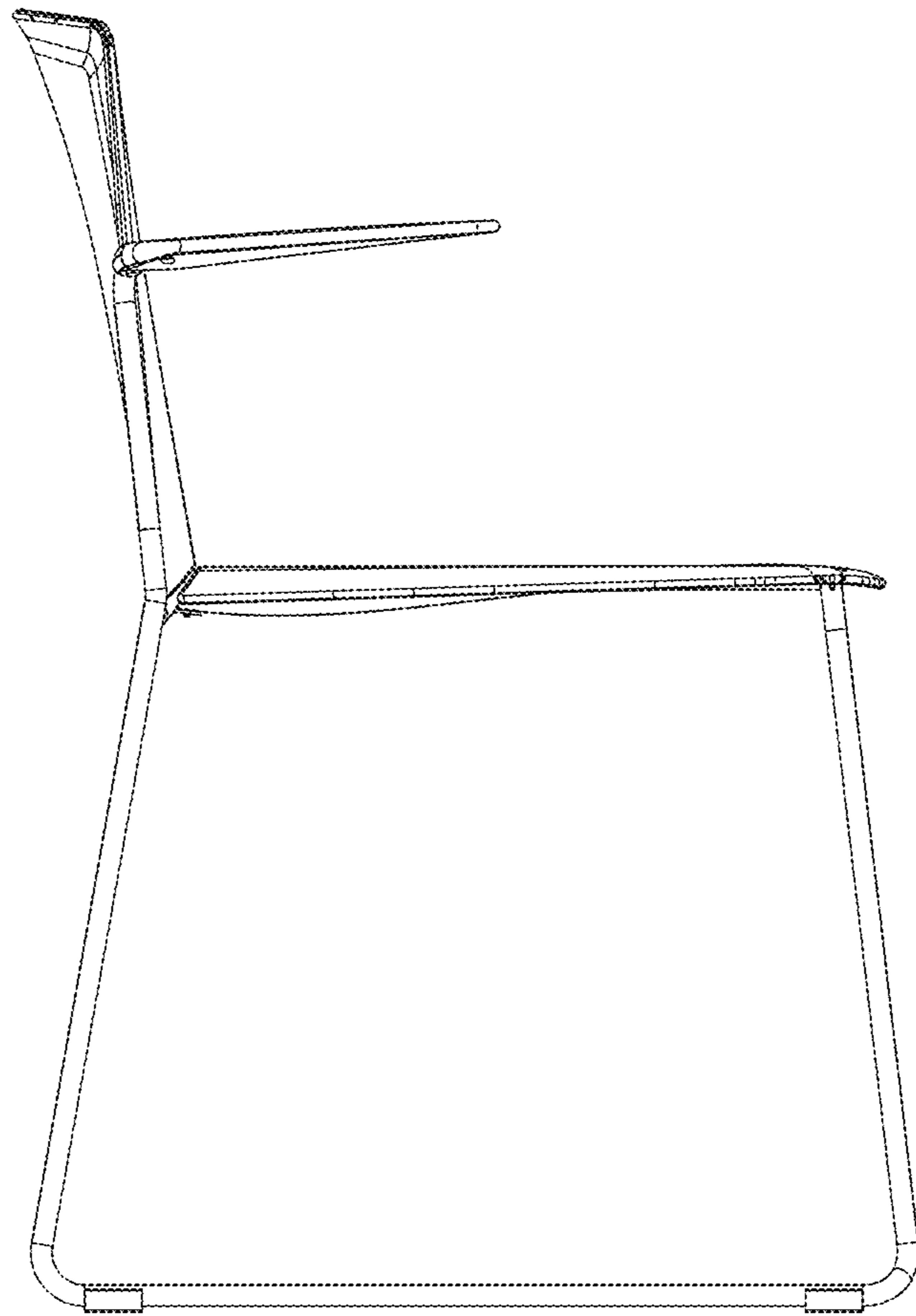
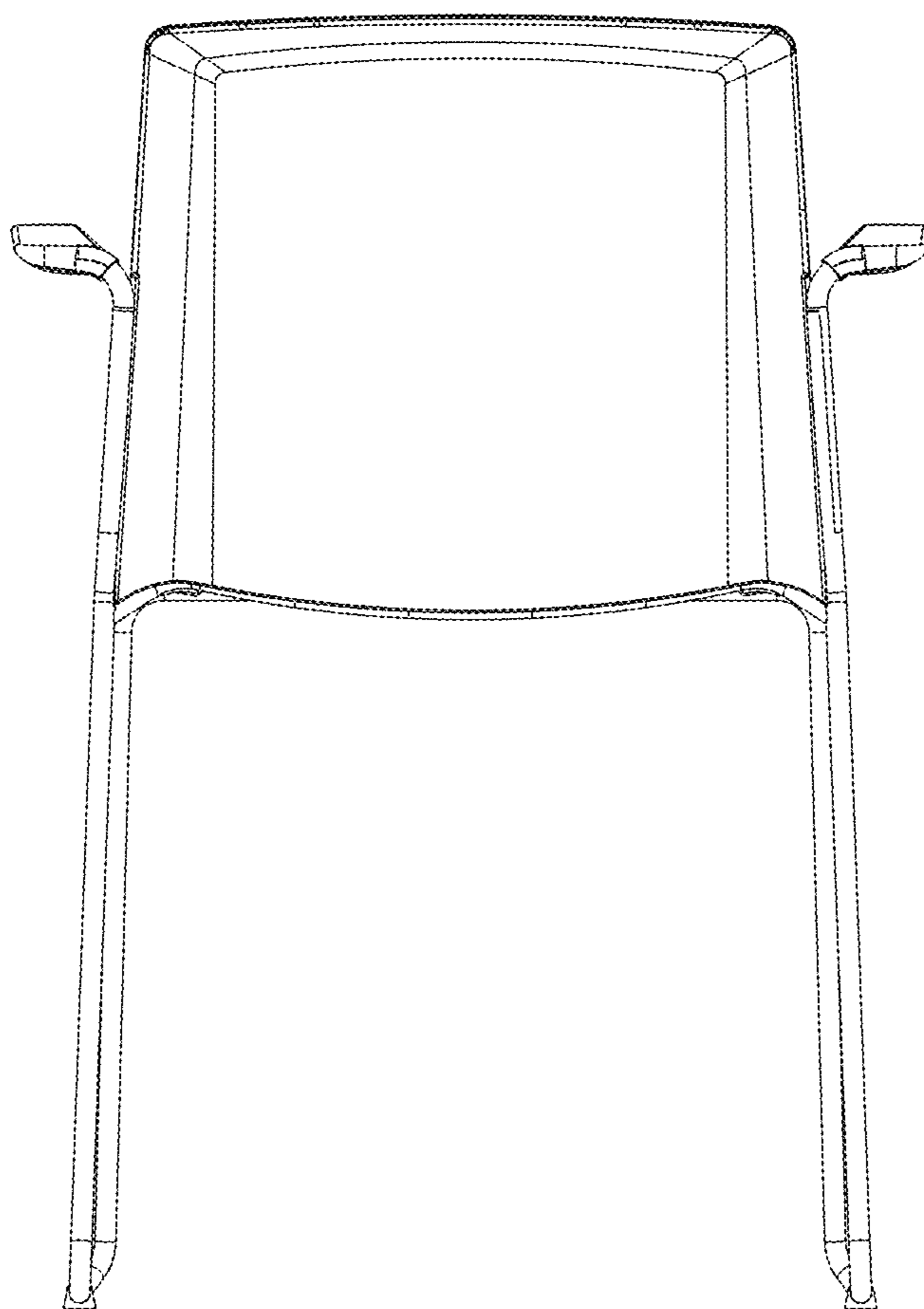
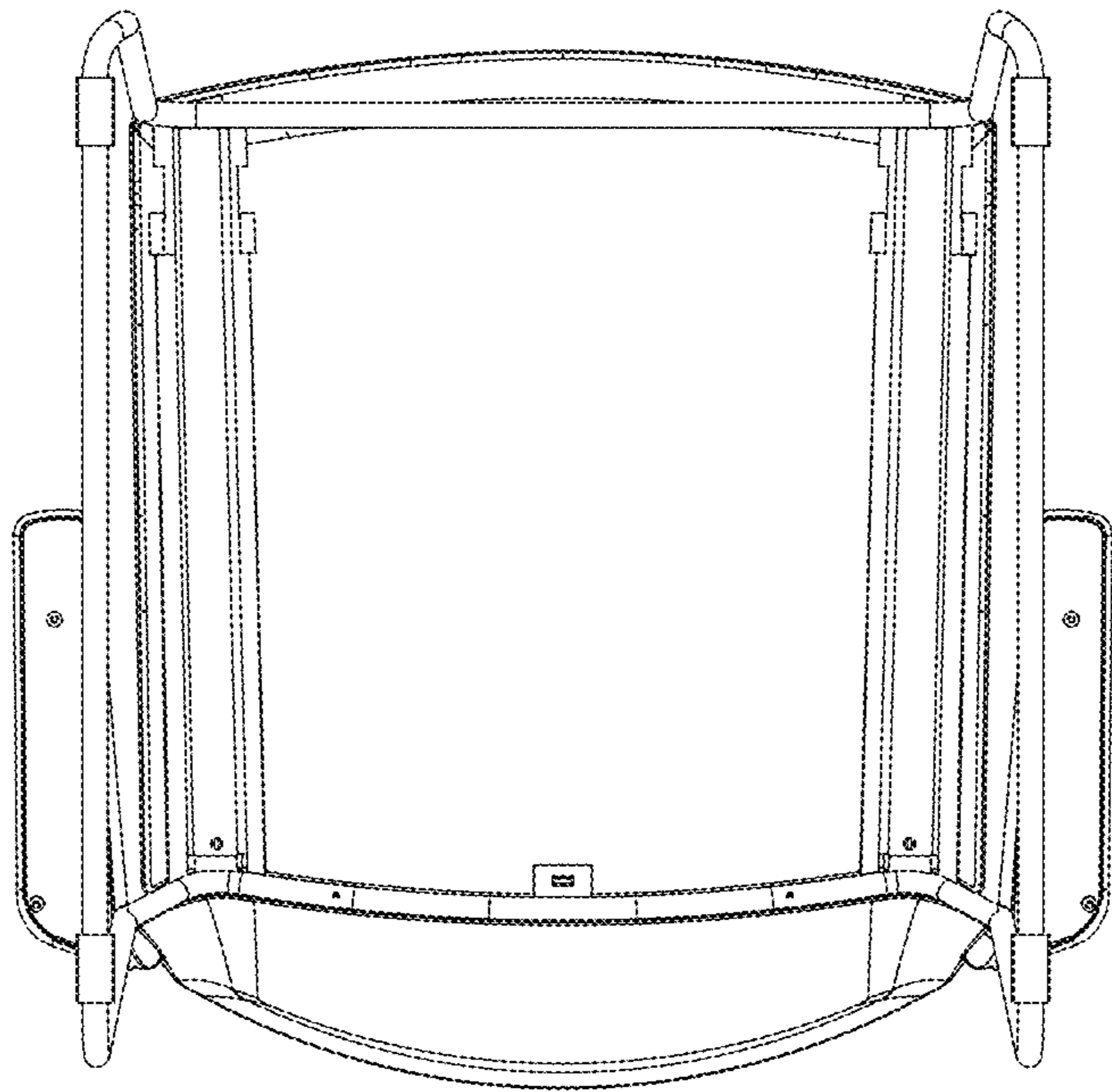


FIG. 4

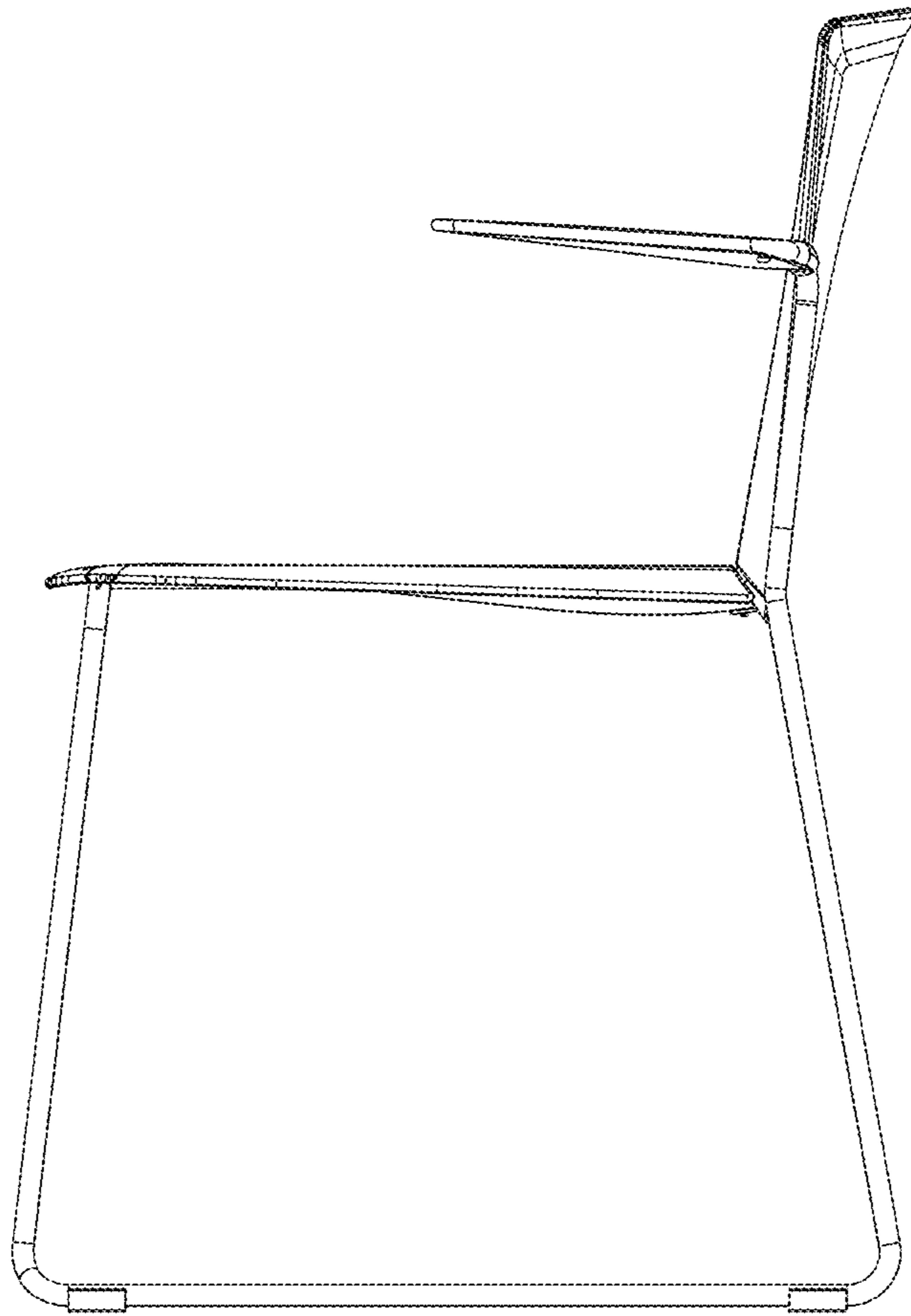


**FIG. 5**



**FIG. 6**





**FIG. 7**