



US00D731805S

(12) **United States Design Patent**
Citterio

(10) **Patent No.:** **US D731,805 S**
(45) **Date of Patent:** **** Jun. 16, 2015**

(54) **CHAIR**

(71) Applicant: **B&B ITALIA S.p.A.**, Milan (IT)

(72) Inventor: **Antonio Citterio**, Milan (IT)

(73) Assignee: **B&B Italia S.p.A.**, Milan (IT)

(**) Term: **14 Years**

(21) Appl. No.: **29/491,278**

(22) Filed: **May 20, 2014**

(30) **Foreign Application Priority Data**

Nov. 20, 2013 (EM) 002349225

(51) **LOC (10) Cl.** **06-01**

(52) **U.S. Cl.**
USPC **D6/373**

(58) **Field of Classification Search**

USPC D6/334-336, 360-381, 388, 403, 716,
D6/716.1-716.4, 717; 297/239, 301.3,
297/411.42, 411.43, 445.1, 446.1, 447.3,
297/448.1, 448.2, 451.3
CPC A47C 3/023; A47C 3/04; A47C 3/12;
A47C 3/14; A47C 4/02; A47C 4/03; A47C
4/04; A47C 5/04; A47C 5/06; A47C 7/445;
A47C 1/032; A47C 1/124

See application file for complete search history.

(56) **References Cited**

U.S. PATENT DOCUMENTS

D202,775	S	*	11/1965	Rowlnd	D6/373
3,275,371	A	*	9/1966	Rowland	297/239
D272,490	S	*	2/1984	Ogg	D6/373
4,548,441	A	*	10/1985	Ogg	297/448.2
D332,707	S	*	1/1993	Muller	D6/373
5,806,931	A	*	9/1998	Kogai	297/301.3
RE36,335	E	*	10/1999	Perry	297/448.2
D516,830	S	*	3/2006	Leist et al.	D6/373
D558,478	S	*	1/2008	Rothe	D6/373
D569,644	S	*	5/2008	Kumazawa	D6/372
D648,150	S	*	11/2011	Kumazawa	D6/373
D668,072	S	*	10/2012	Kumazawa	D6/373
D710,121	S	*	8/2014	Citterio	D6/368

* cited by examiner

Primary Examiner — Ricky Pham

(74) *Attorney, Agent, or Firm* — Thomas|Horstemeyer, LLP

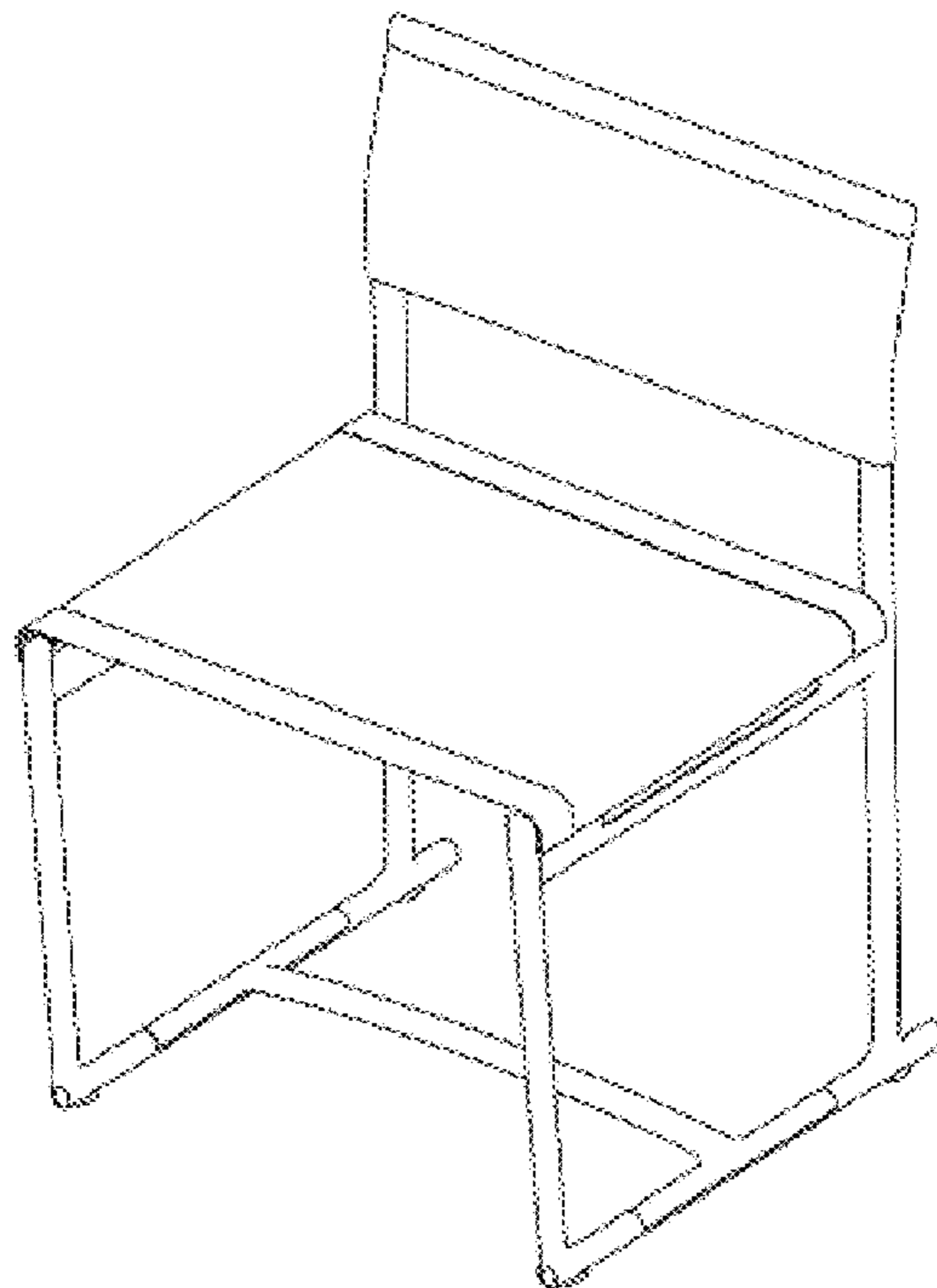
(57) **CLAIM**

The ornamental design for a chair, as shown and described.

DESCRIPTION

FIG. 1 is a front perspective view of my new chair;
FIG. 2 is a bottom perspective view of my new chair of FIG. 1 from the rear of the chair;
FIG. 3 is a front elevational view of my new chair;
FIG. 4 is a rear elevational view of my new chair, opposite that of FIG. 3;
FIG. 5 is a side elevational view of my new chair, the opposite side being a mirror image thereof;
FIG. 6 is a top view of my new chair; and,
FIG. 7 is a bottom view of my new chair.

1 Claim, 6 Drawing Sheets



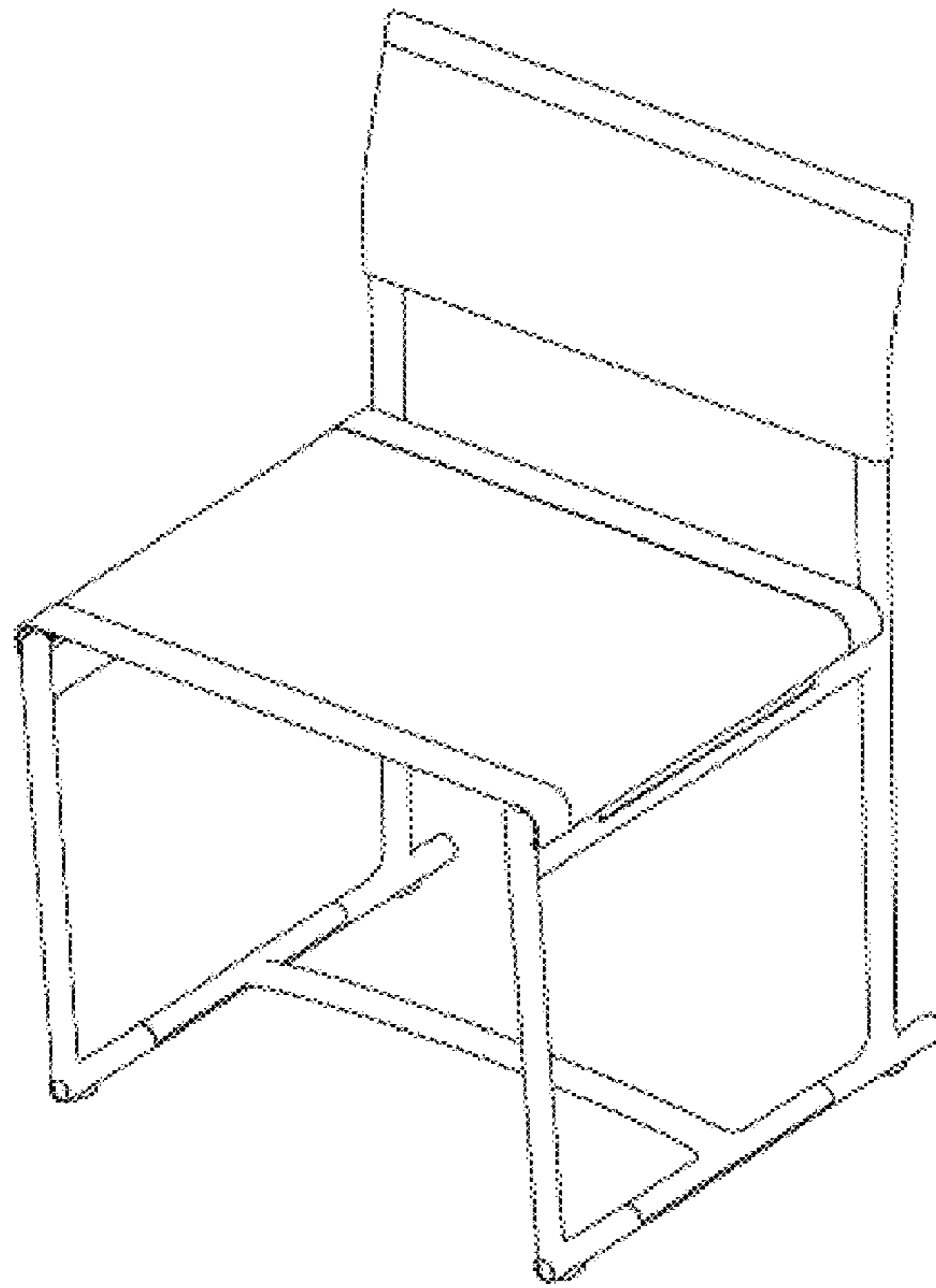


FIG. 1

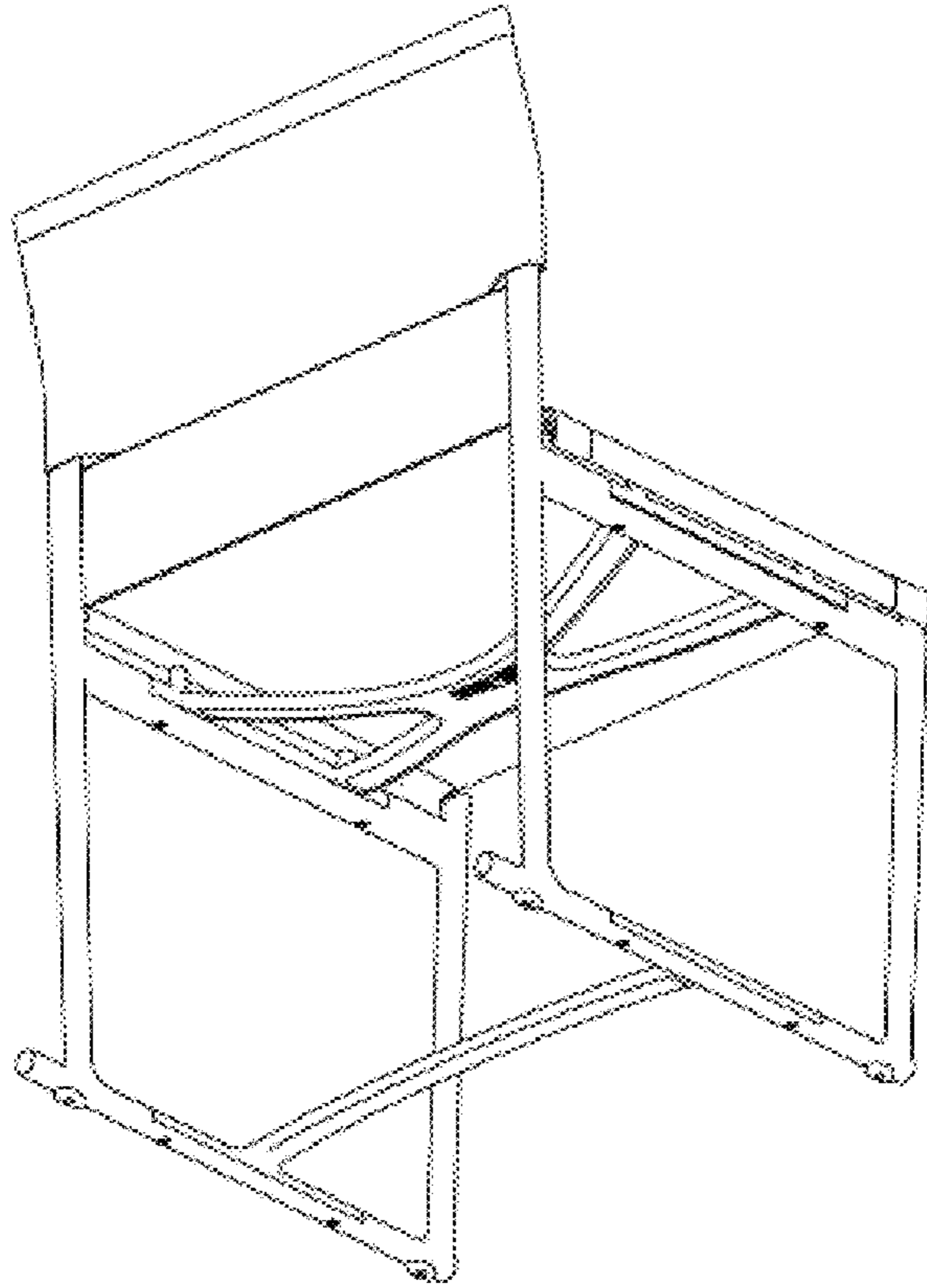


FIG. 2

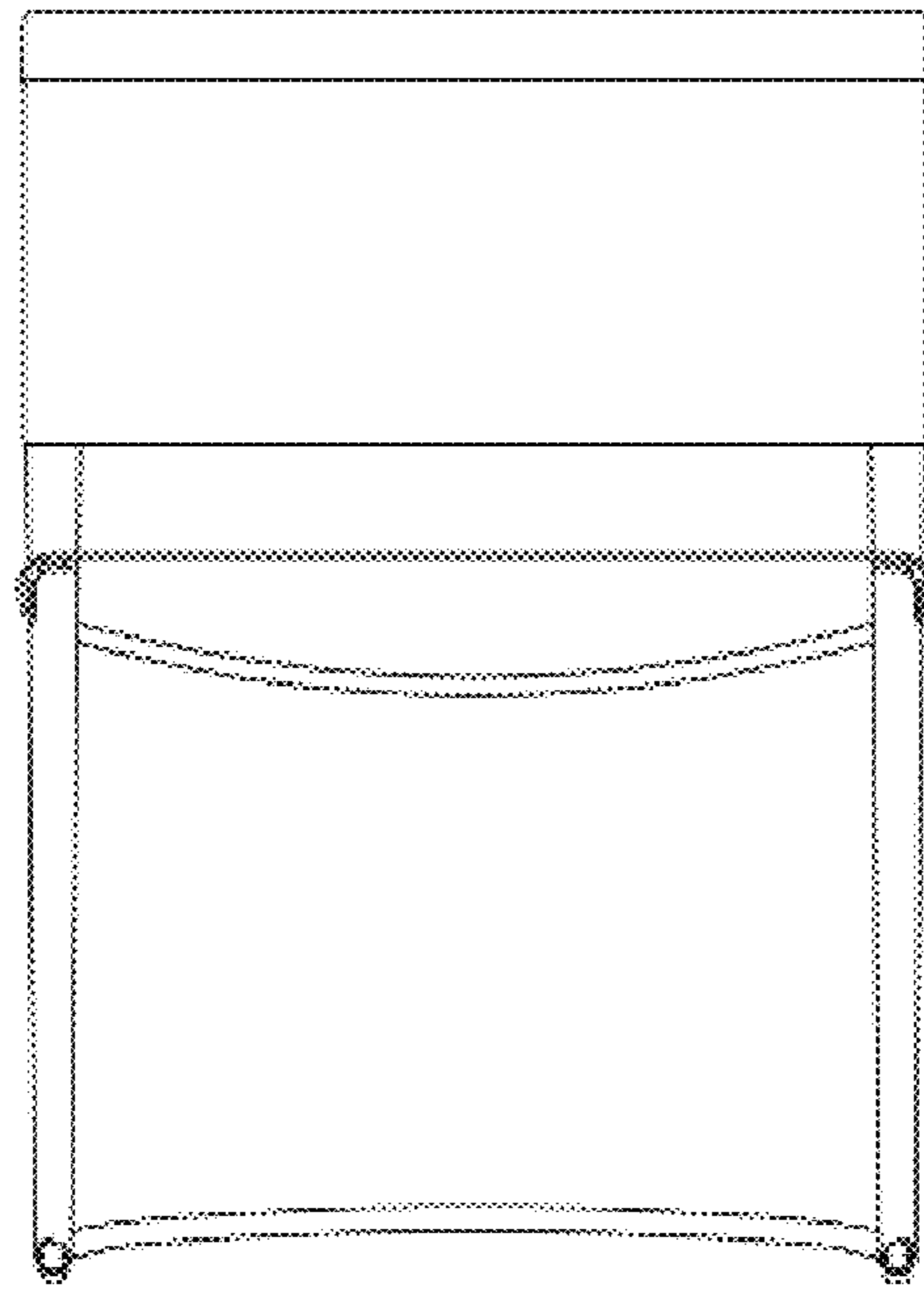


FIG. 3

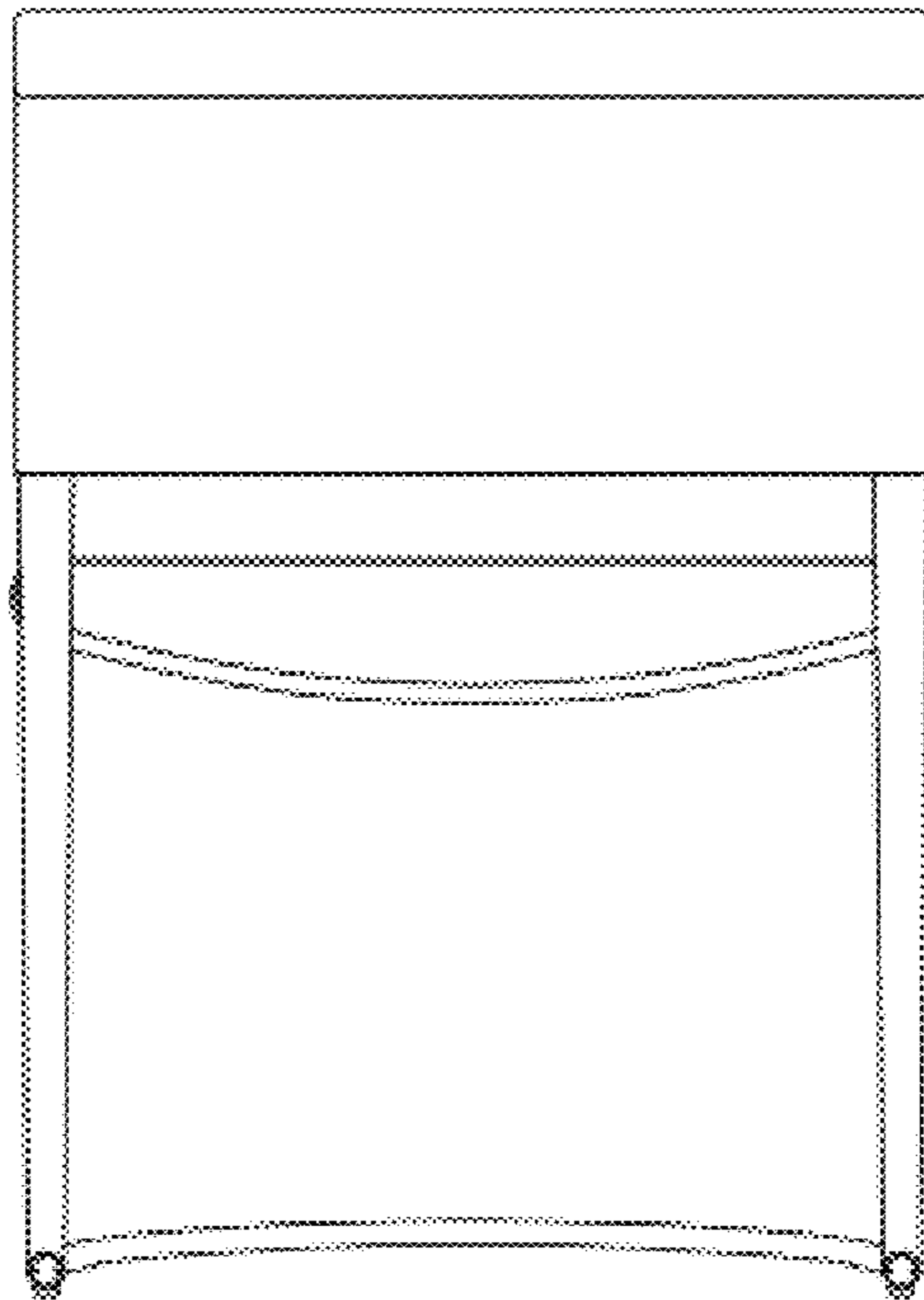


FIG. 4

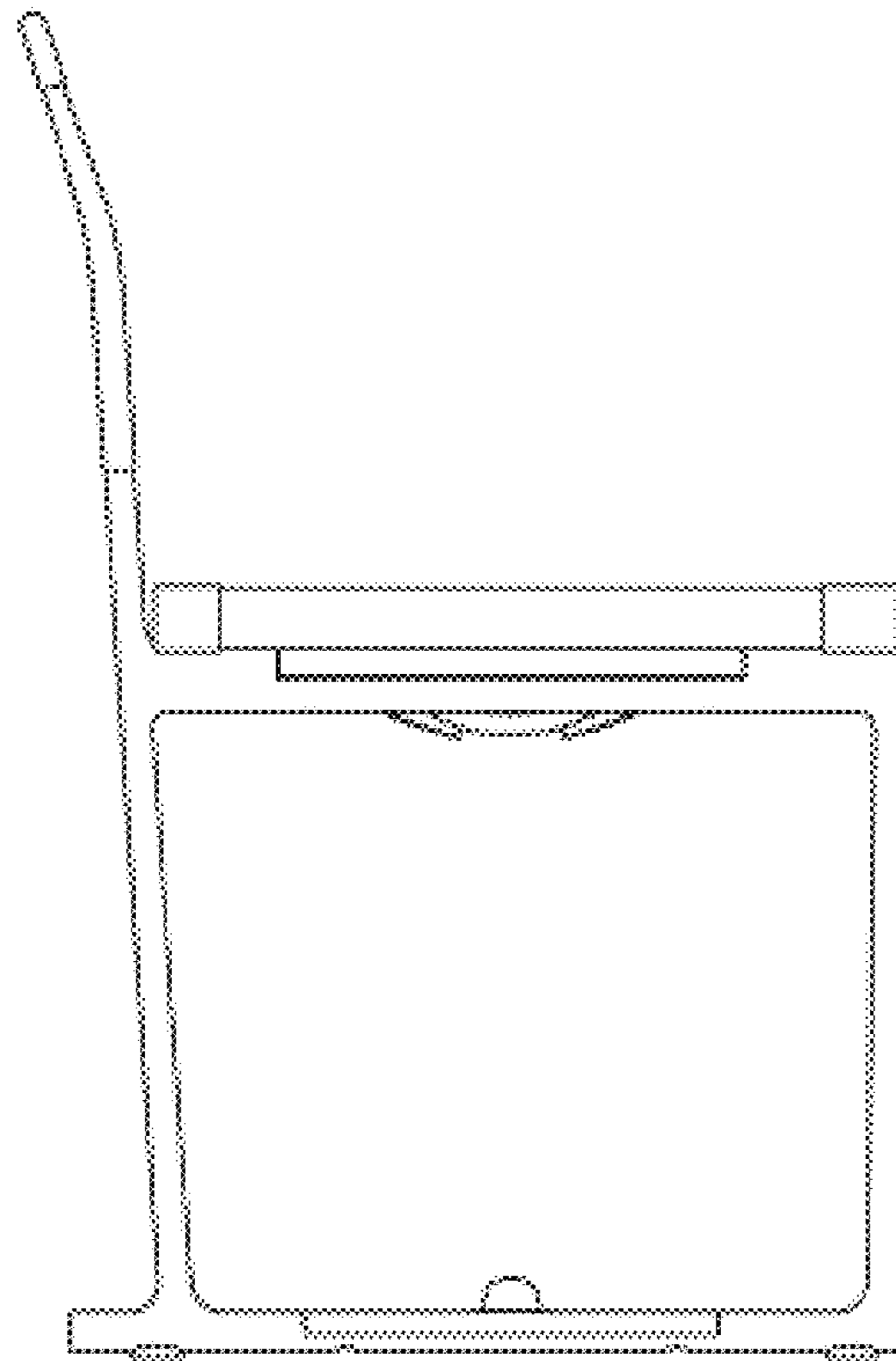


FIG. 5

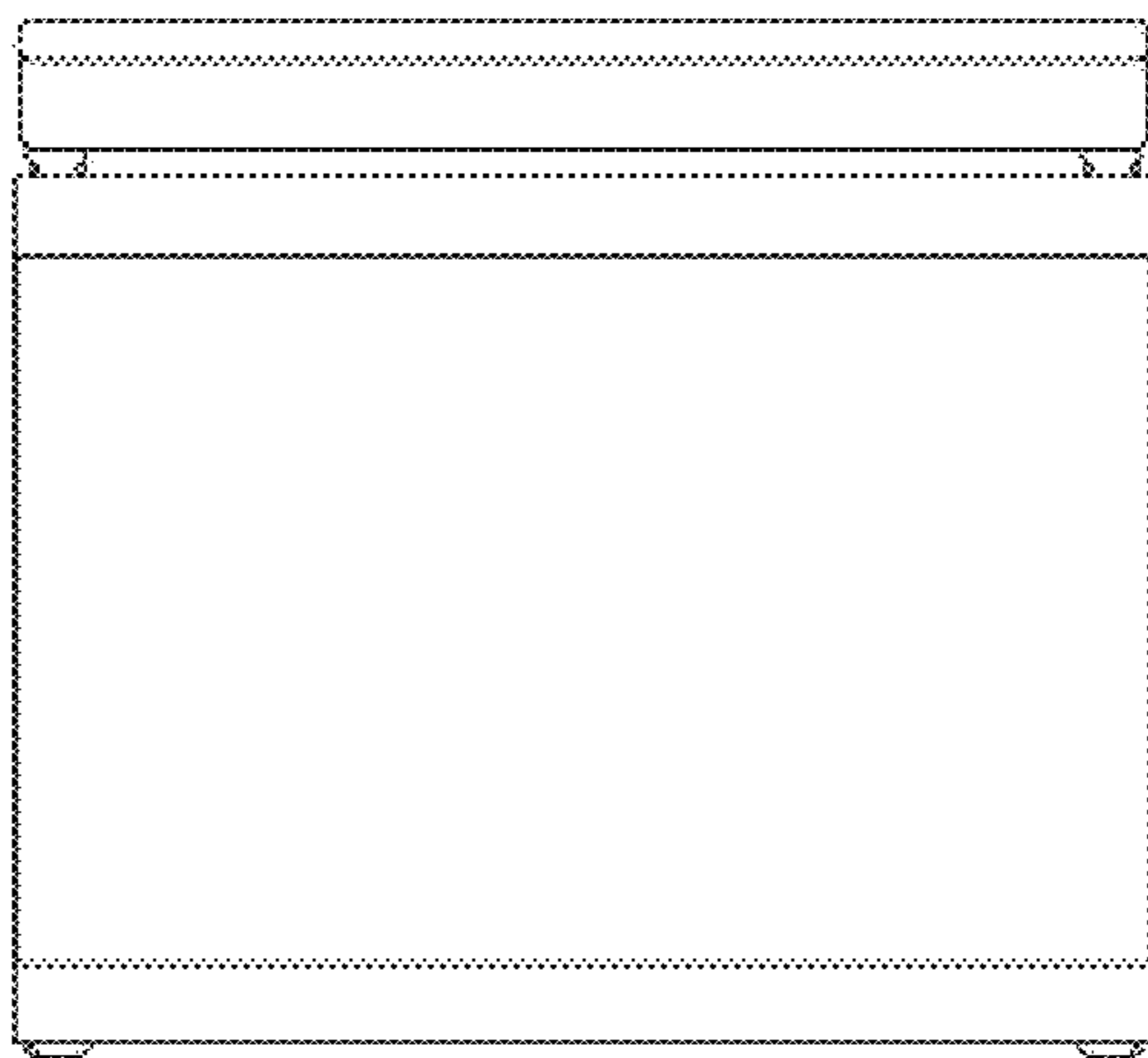


FIG. 6

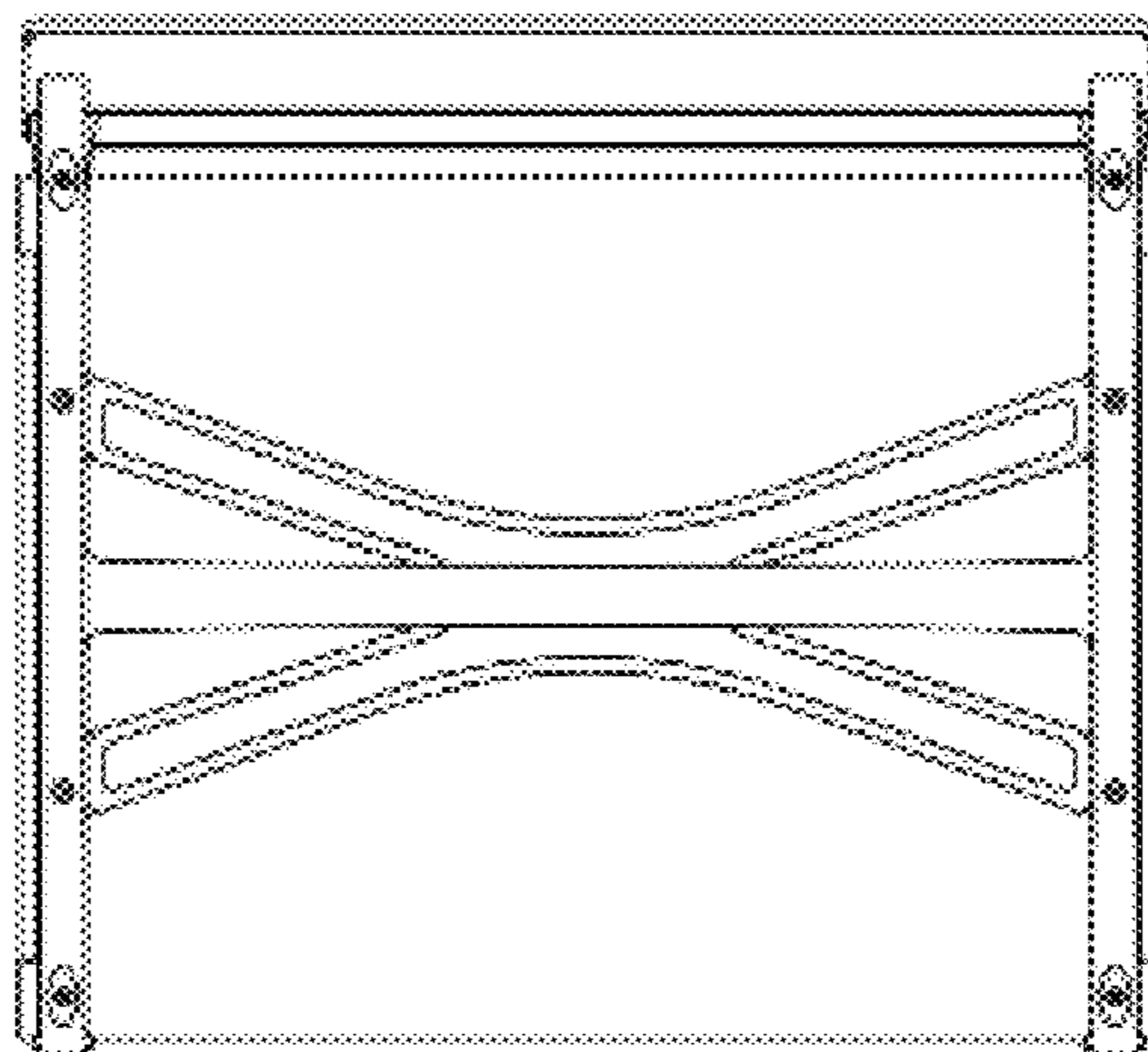


FIG. 7