



US00D731804S

(12) **United States Design Patent**
Lenhart

(10) **Patent No.:** **US D731,804 S**
(45) **Date of Patent:** **** Jun. 16, 2015**

(54) **LOUNGE FURNITURE**

(71) Applicant: **Krueger International, Inc.**, Green Bay, WI (US)

(72) Inventor: **Tad E. Lenhart**, De Pere, WI (US)

(73) Assignee: **Krueger International, Inc.**, Green Bay, WI (US)

(**) Term: **14 Years**

(21) Appl. No.: **29/454,648**

(22) Filed: **May 13, 2013**

(51) **LOC (10) Cl.** **06-01**

(52) **U.S. Cl.**
USPC **D6/373**

(58) **Field of Classification Search**
USPC D6/334–336, 360–381, 388, 716,
D6/716.1–716.4; 297/232, 445.1, 446.1,
297/448.1, 448.2
CPC A47C 1/00; A47C 4/02; A47C 4/03;
A47C 4/04; A47C 7/021; A47C 7/18
See application file for complete search history.

(56) **References Cited**

U.S. PATENT DOCUMENTS

D248,802 S * 8/1978 Iselin D6/364
D510,486 S * 10/2005 Karl D6/334

D518,301 S * 4/2006 Ng et al. D6/335
D532,984 S * 12/2006 Bennett D6/367
D604,956 S * 12/2009 Blomstrom et al. D6/373
D646,072 S * 10/2011 Katina D6/374
D666,842 S * 9/2012 Cramer et al. D6/379
D682,572 S * 5/2013 Digirolamo D6/371

* cited by examiner

Primary Examiner — Ricky Pham

(74) *Attorney, Agent, or Firm* — Andrus Intellectual Property Law, LLP

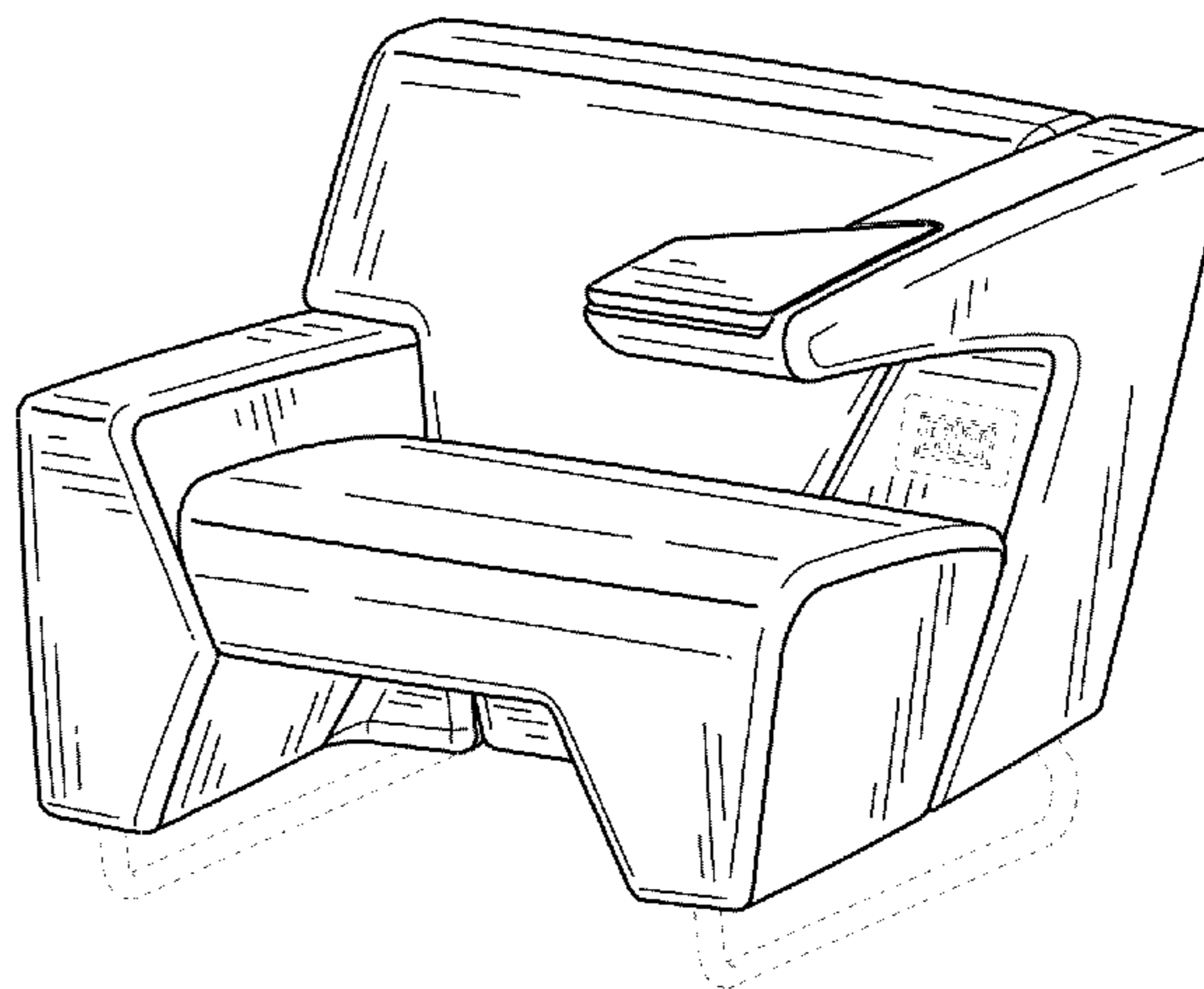
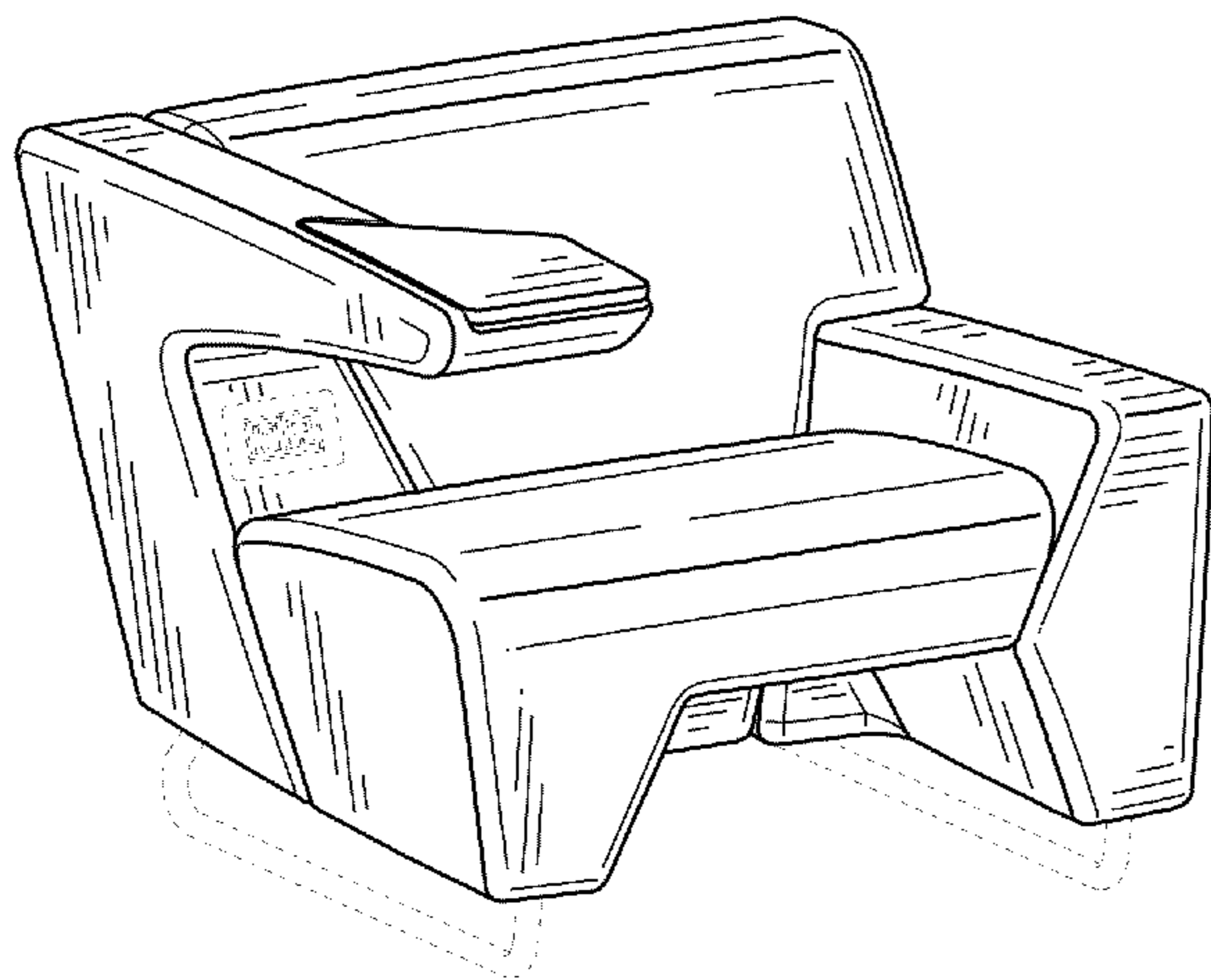
(57) **CLAIM**

The ornamental design for lounge furniture, as shown and described.

DESCRIPTION

FIG. 1 is an isometric view of lounge furniture incorporating my new design;
FIG. 2 is a front elevation view thereof;
FIG. 3 is a right side elevation view thereof;
FIG. 4 is a left side elevation view thereof;
FIG. 5 is a rear elevation view thereof;
FIG. 6 is a top plan view thereof;
FIG. 7 is a bottom plan view thereof; and,
FIG. 8 is an isometric view of the lounge furniture constructed as a mirror image of the embodiment shown in FIG. 1.
The portions shown in phantom illustrate environment only and form no part of the claimed design.

1 Claim, 5 Drawing Sheets



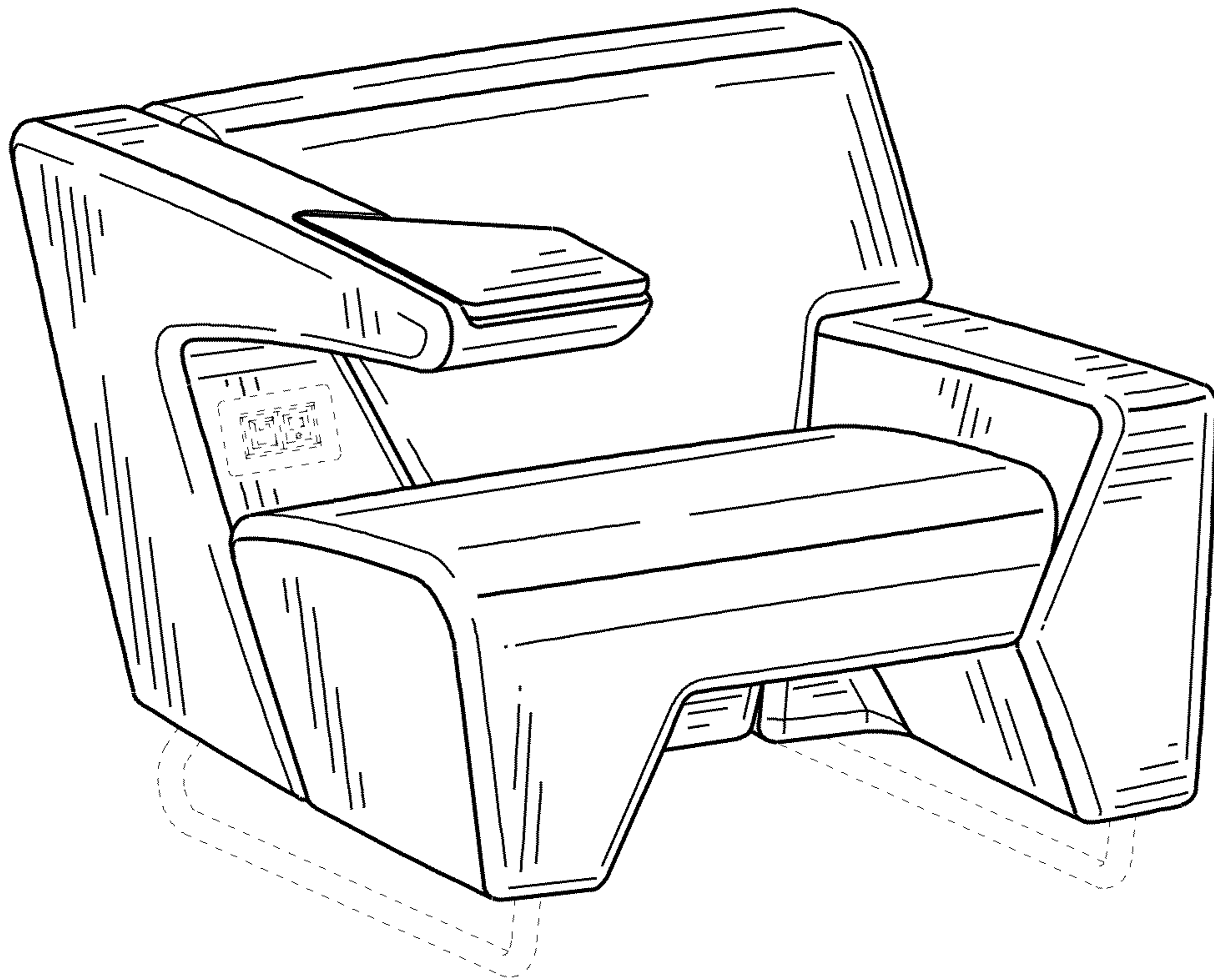


FIG. 1

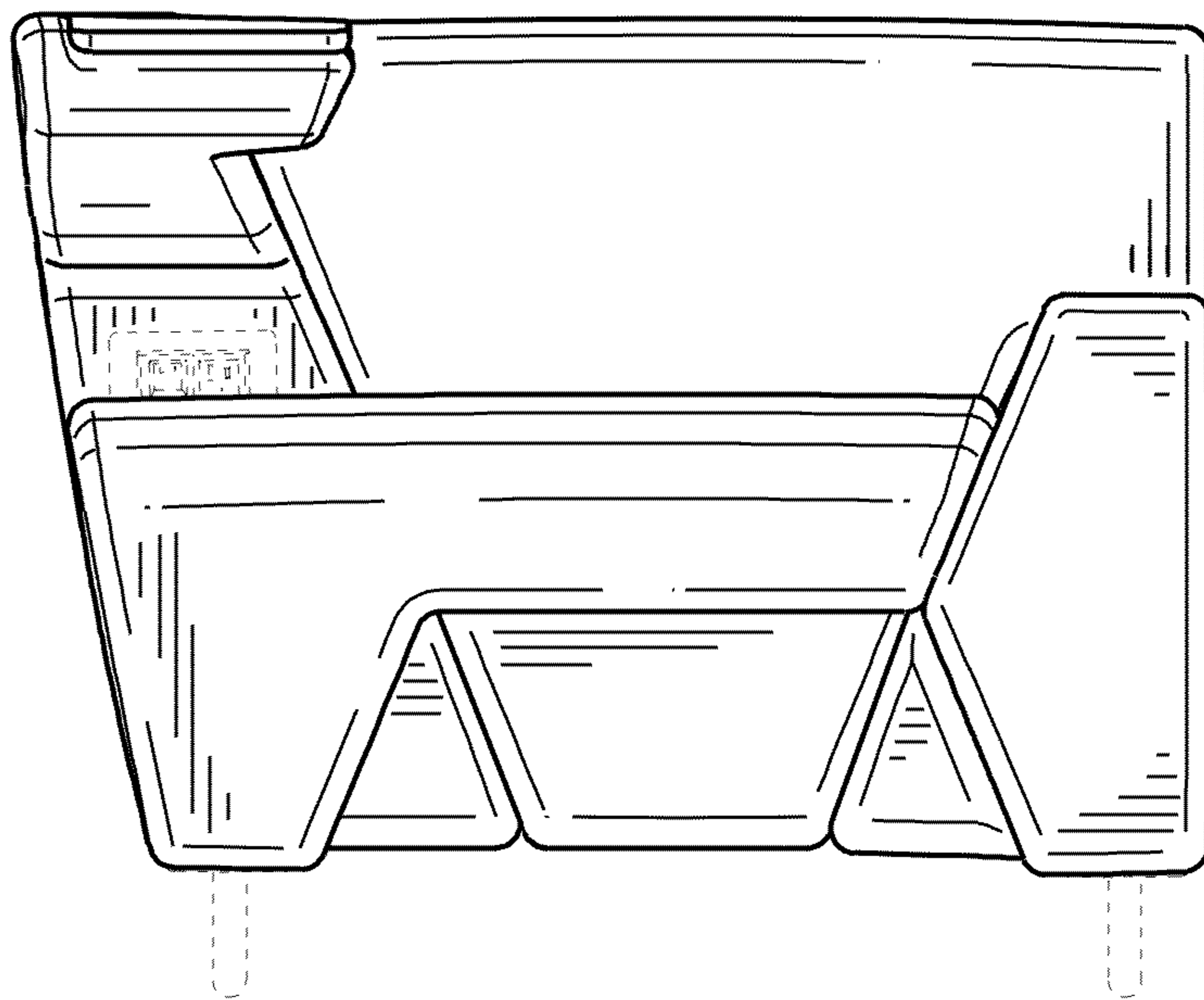


FIG. 2

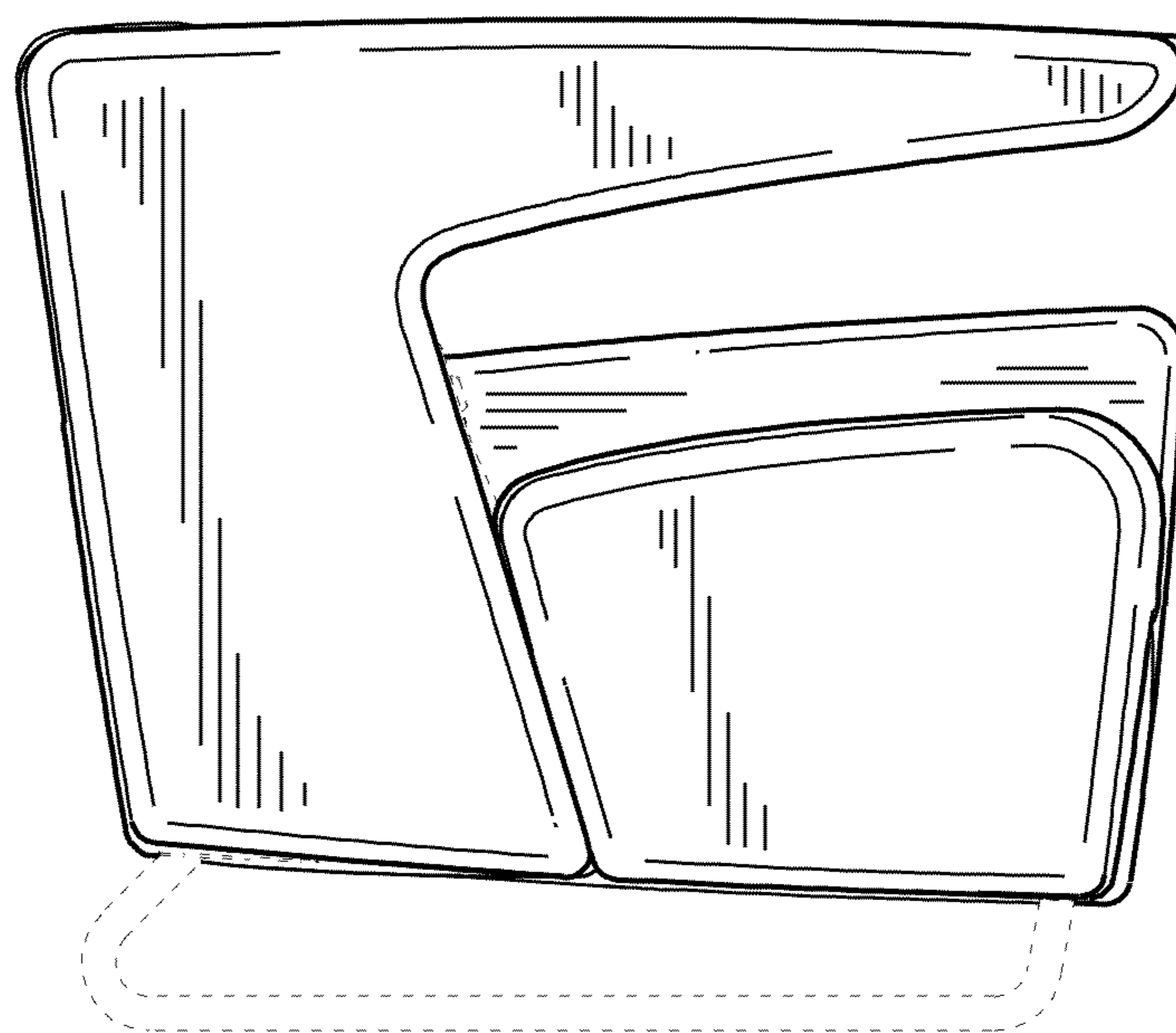


FIG. 3

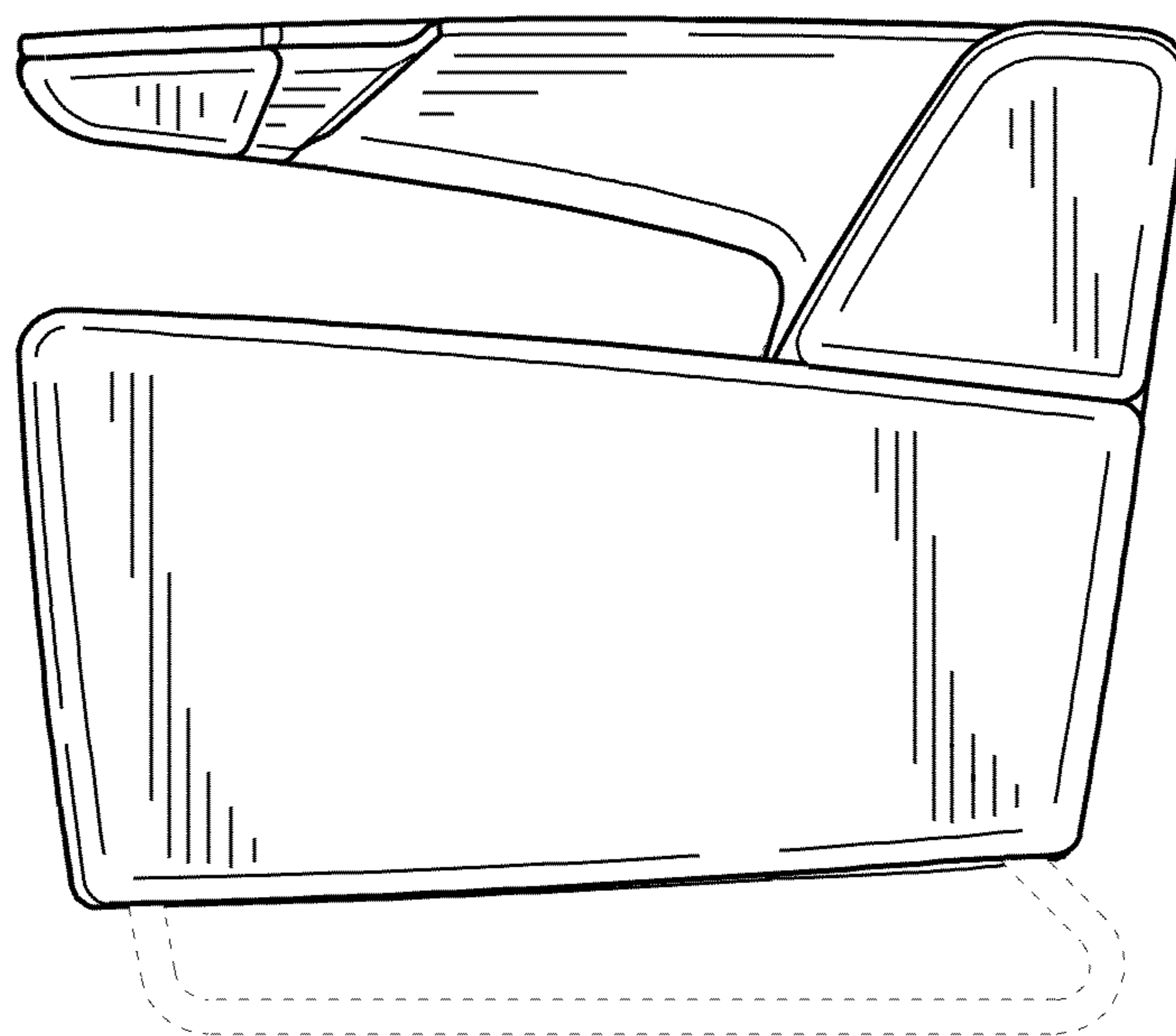


FIG. 4

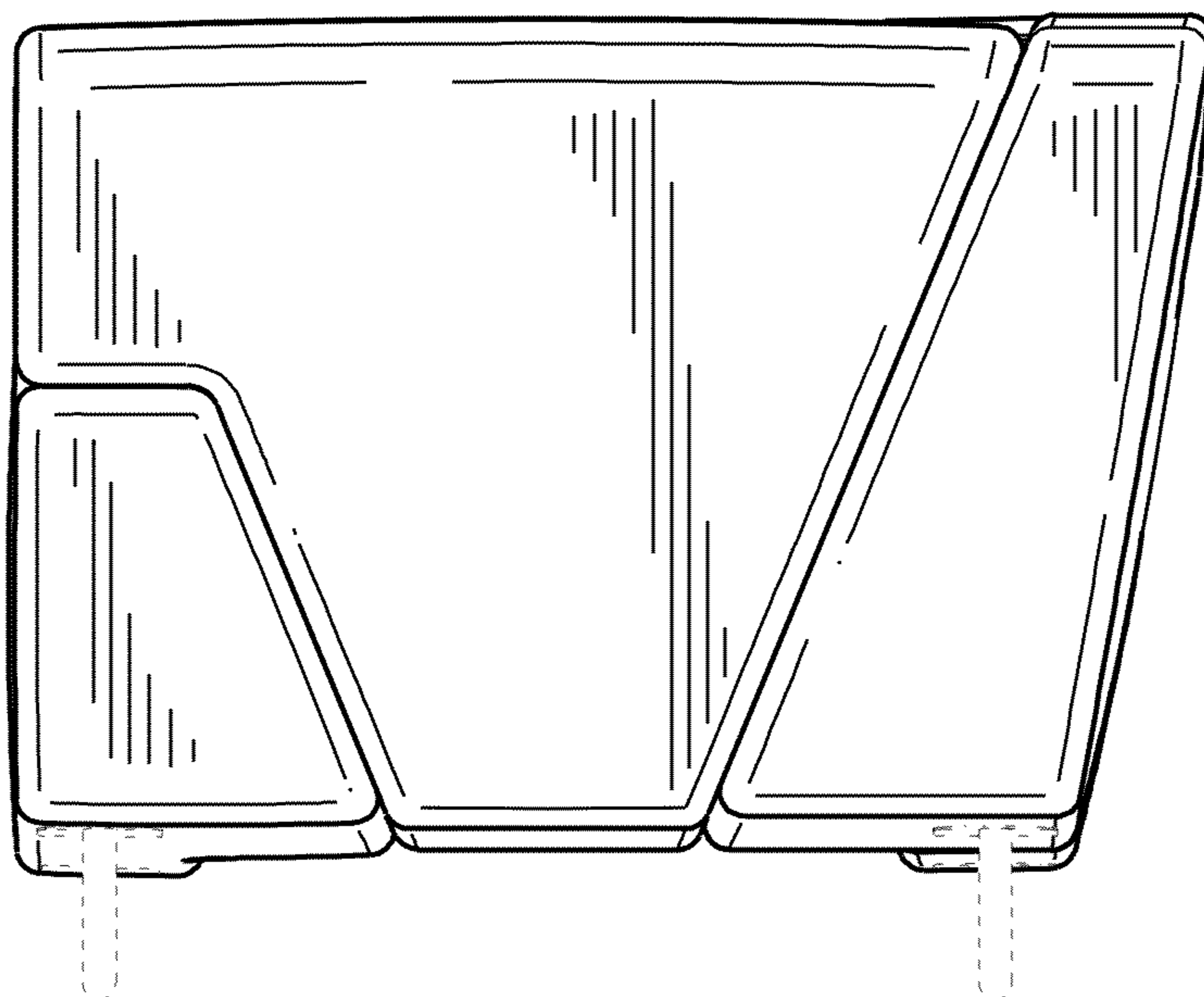


FIG. 5

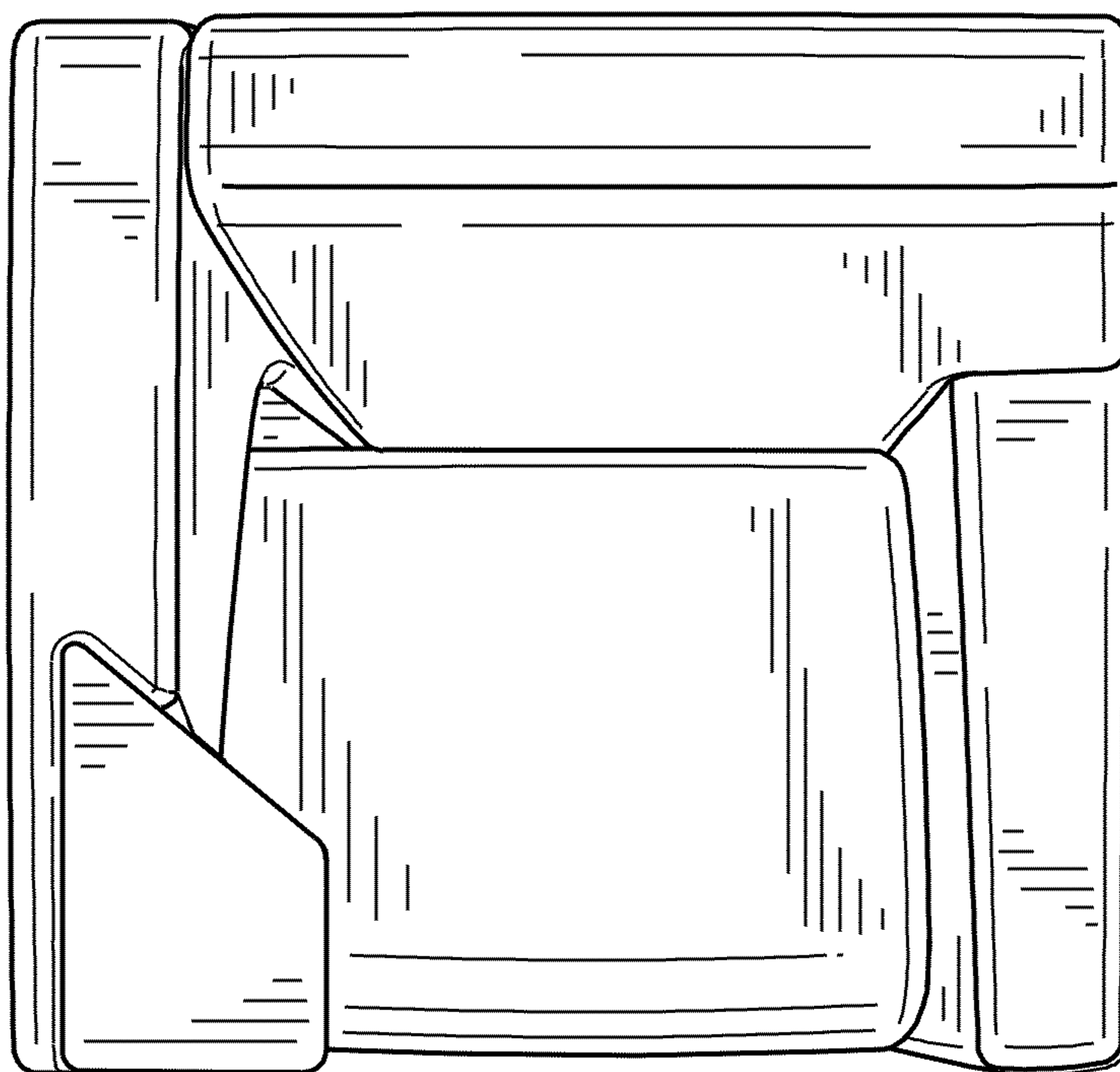


FIG. 6

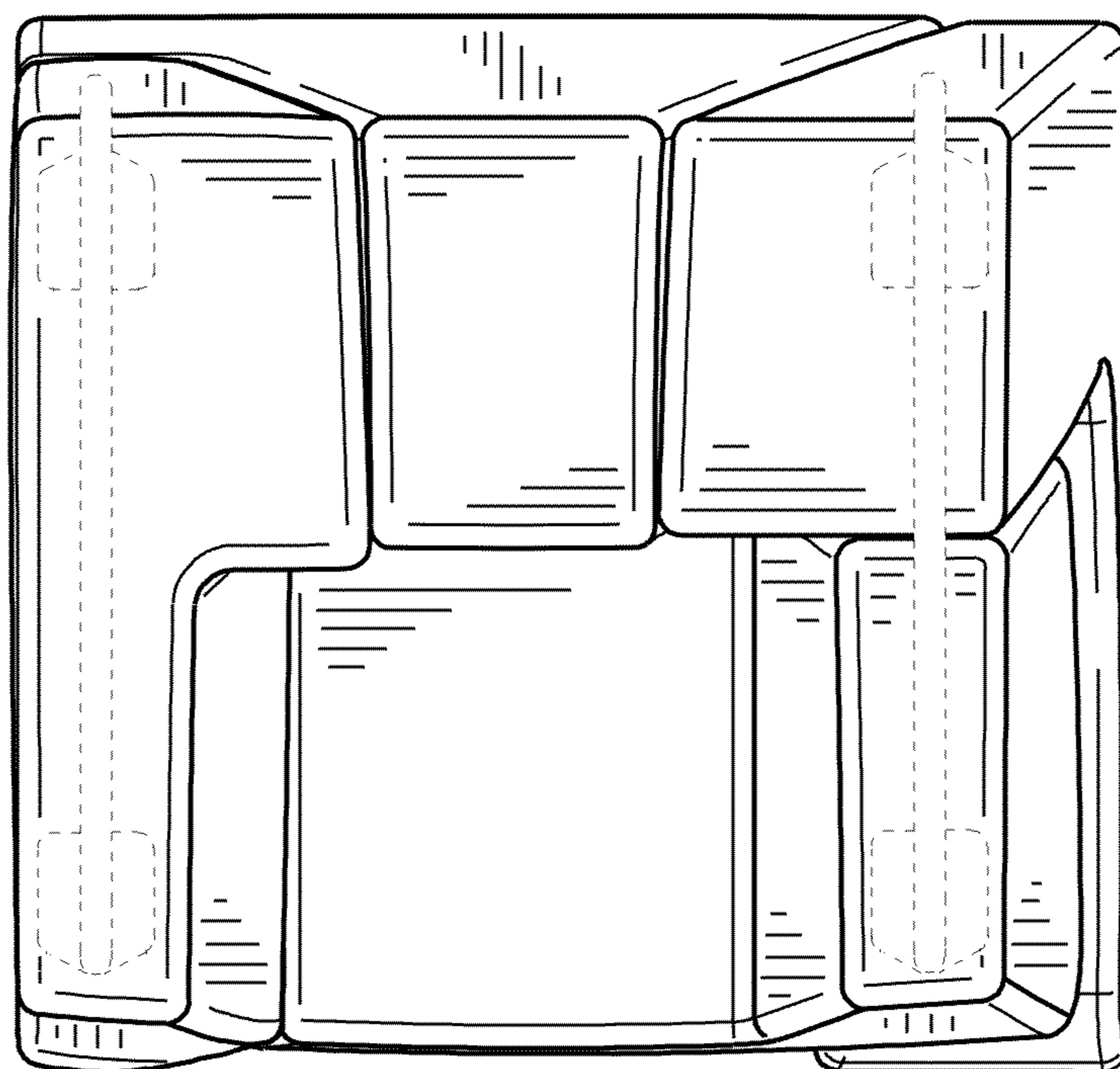


FIG. 7

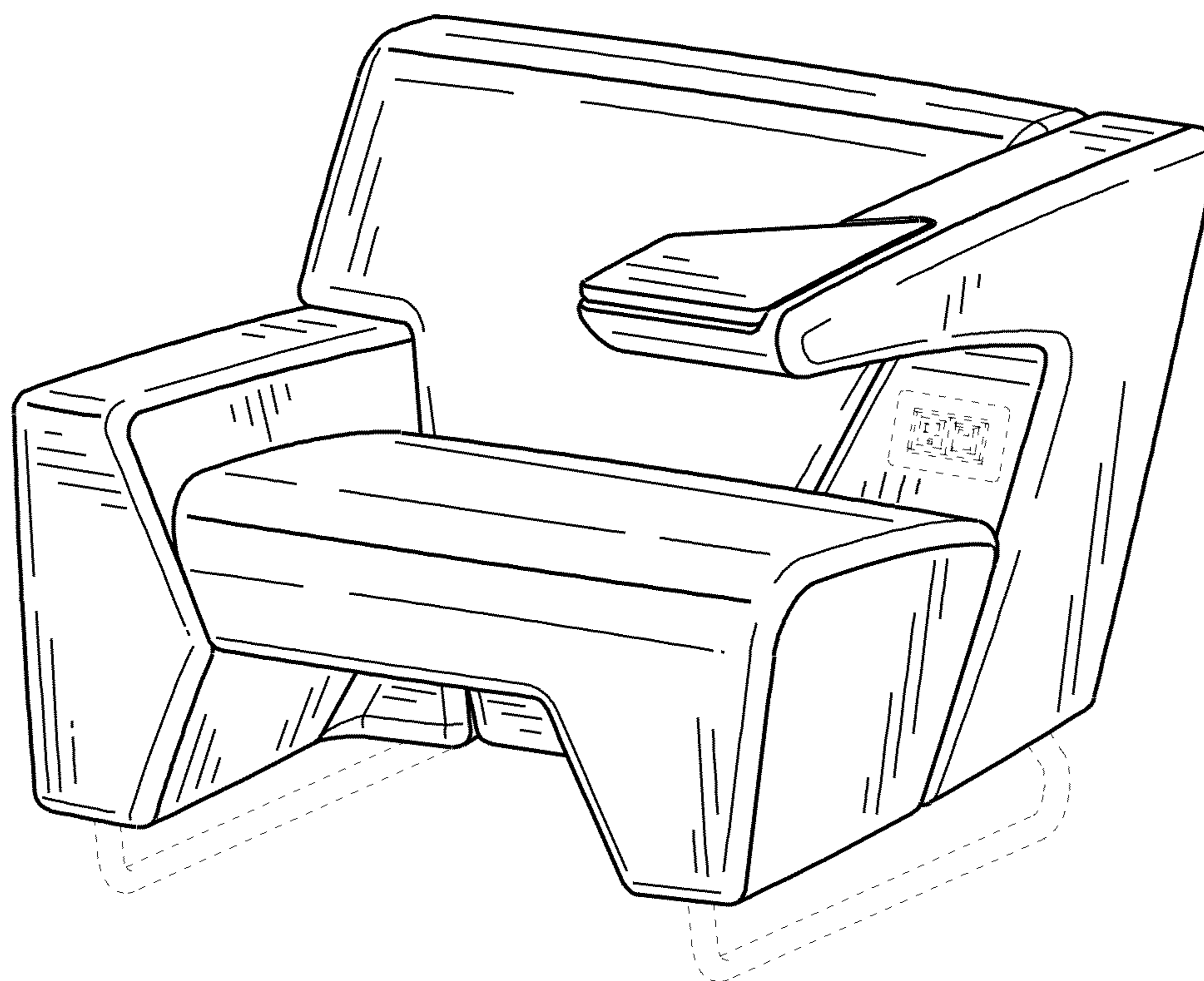


FIG. 8