



US00D731801S

(12) **United States Design Patent**  
**McKenna et al.**

(10) **Patent No.:** **US D731,801 S**  
(45) **Date of Patent:** **\*\* Jun. 16, 2015**

- (54) **CHAIR**
- (71) Applicant: **Steelcase Inc.**, Grand Rapids, MI (US)
- (72) Inventors: **Mark McKenna**, Grand Rapids, MI (US); **Fredric Biddle**, Kalamazoo, MI (US); **Bruce Smith**, East Grand Rapids, MI (US); **Gordon Peterson**, Rockford, MI (US)
- (73) Assignee: **Steelcase Inc.**, Grand Rapids, MI (US)
- (\*\*) Term: **14 Years**

- D288,994 S 3/1987 Winters
- D293,049 S 12/1987 Opsvik
- 4,832,407 A 5/1989 Serber
- 4,943,117 A 7/1990 Brown
- 4,971,040 A 11/1990 Gillotti
- D358,514 S 5/1995 Lovegrove
- 5,411,316 A 5/1995 Lovegrove et al.
- D360,311 S 7/1995 Stamberg et al.
- D384,511 S 10/1997 Gresens
- 5,810,438 A 9/1998 Newhouse
- D400,018 S 10/1998 James et al.
- D408,646 S 4/1999 Lin et al.
- D414,950 S 10/1999 James
- D421,539 S 3/2000 Liu
- 6,196,632 B1 3/2001 De Lucchi et al.

(Continued)

- (21) Appl. No.: **29/493,705**
- (22) Filed: **Jun. 12, 2014**
- (51) **LOC (10) Cl.** ..... **06-01**
- (52) **U.S. Cl.**  
USPC ..... **D6/366**
- (58) **Field of Classification Search**  
USPC ..... D6/334-336, 338, 364, 365, 366, 374,  
D6/379, 380, 716, 716.1, 716.2, 716.4  
CPC ..... A47C 4/02; A47C 4/03; A47C 5/12;  
A47C 7/16; A47C 3/12; A47C 7/18; B60N  
2/686

See application file for complete search history.

(56) **References Cited**

U.S. PATENT DOCUMENTS

- 2,606,601 A \* 8/1952 Saarinen ..... A47C 3/12
- 2,838,095 A 6/1958 Deaton
- 3,087,758 A 4/1963 Deaton
- 3,459,449 A 8/1969 Klausen
- D272,019 S 1/1984 Morehouse
- 4,427,232 A 1/1984 Malm
- D275,158 S 8/1984 Aronowitz et al.
- 4,607,882 A 8/1986 Opsvik

OTHER PUBLICATIONS

Ethos Series by Haskell Office, May 2014 (1 page).

(Continued)

Primary Examiner — Mimoso De

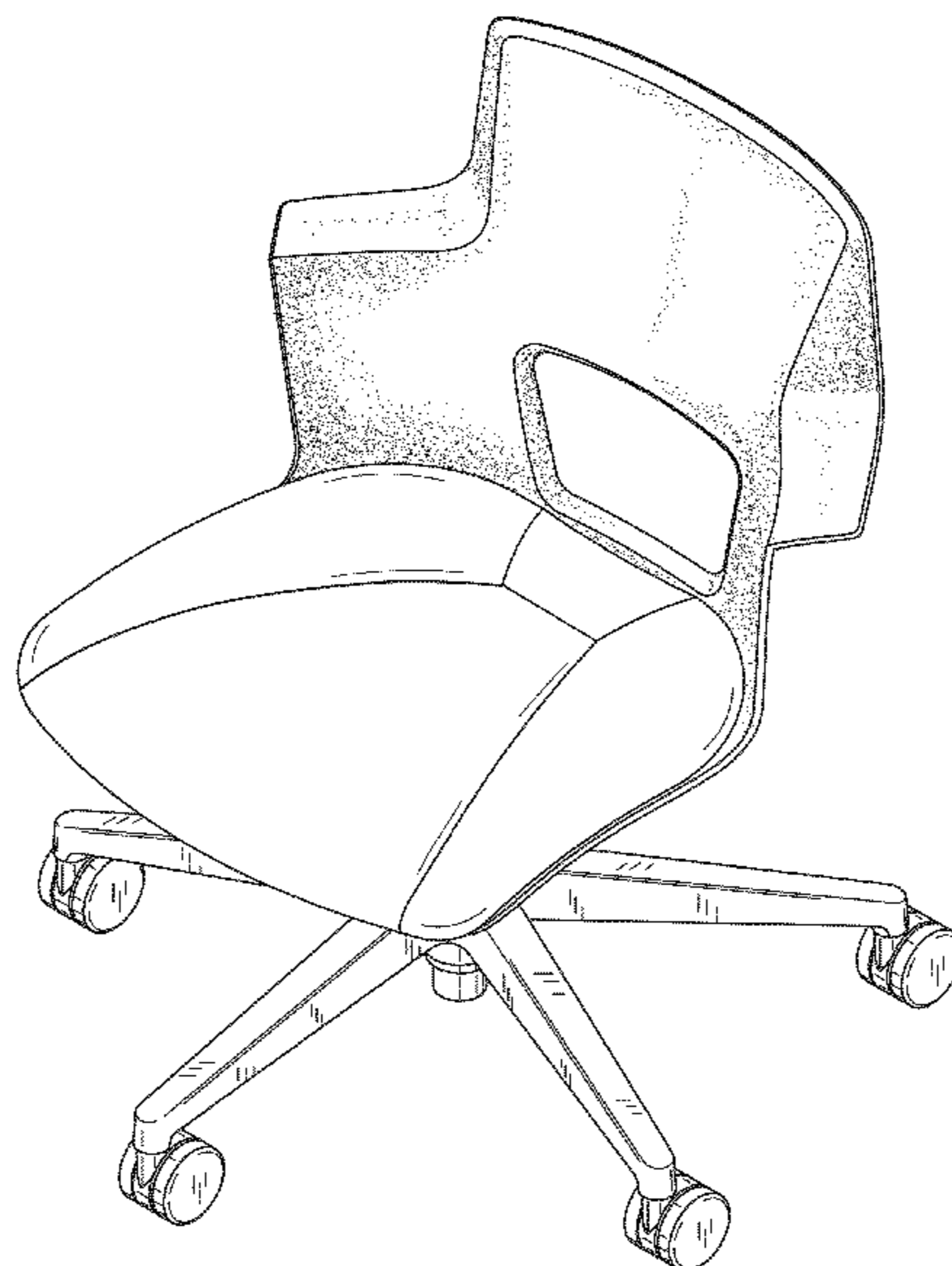
(57) **CLAIM**

We claim the ornamental design for a chair, as shown and described.

**DESCRIPTION**

FIG. 1 is a front perspective view of a chair;  
 FIG. 2 is a front view of a chair of FIG. 1;  
 FIG. 3 is a rear view of a chair of FIG. 1;  
 FIG. 4 is a left side view of a chair of FIG. 1;  
 FIG. 5 is a right side view of a chair of FIG. 1;  
 FIG. 6 is a top view of a chair of FIG. 1; and,  
 FIG. 7 is bottom view of a chair of FIG. 1.  
 The dashed lines are for purposes of illustrating environmental structure and form no part of the claimed design.

**1 Claim, 7 Drawing Sheets**



(56)

**References Cited**

U.S. PATENT DOCUMENTS

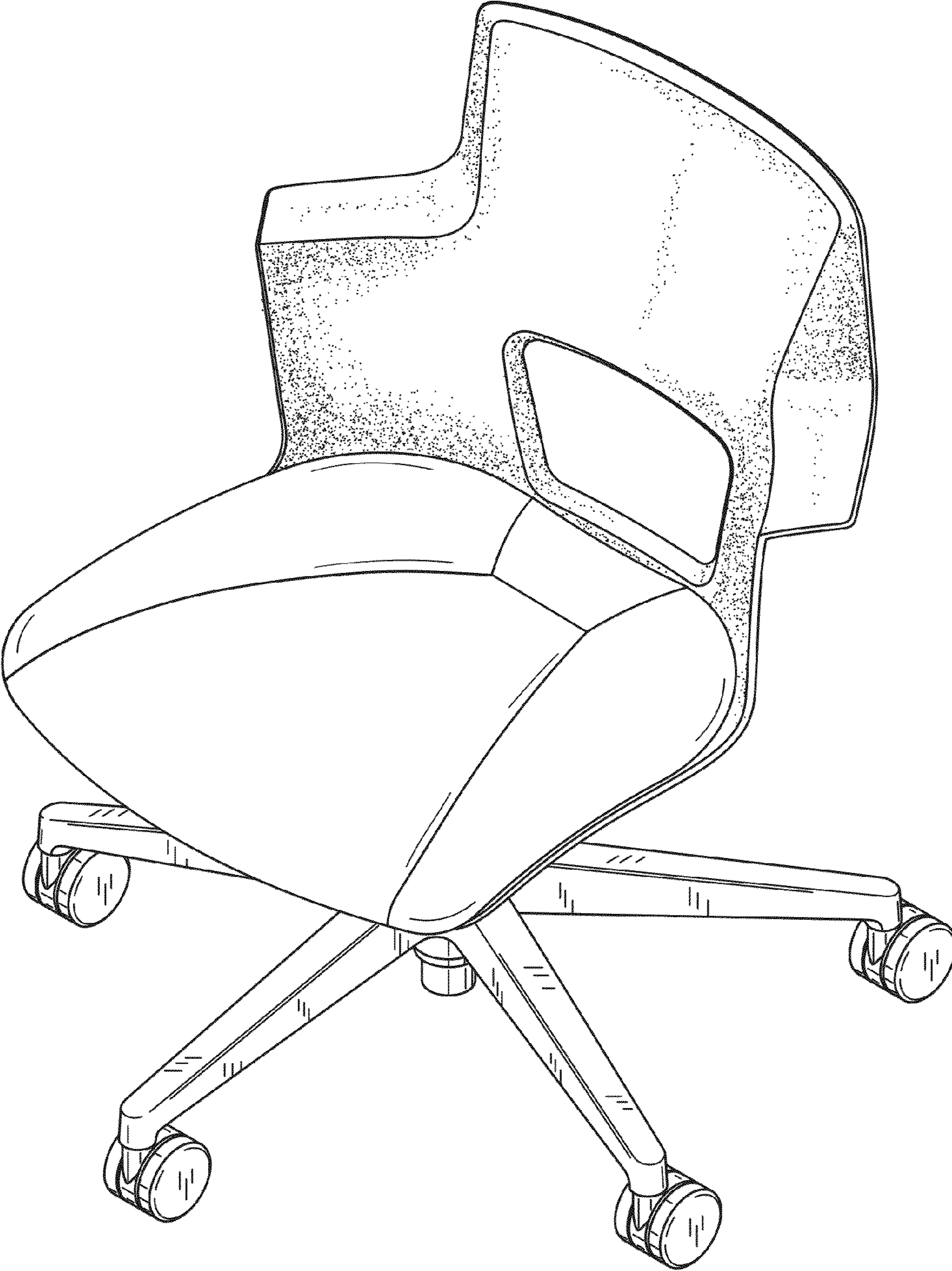
D469,265 S 1/2003 Holbrook et al.  
 D469,284 S 1/2003 Holbrook et al.  
 D472,410 S 4/2003 Yeh  
 6,585,320 B2 7/2003 Holbrook et al.  
 D498,939 S 11/2004 Kirkpatrick  
 D505,801 S 6/2005 Cesaroni et al.  
 D525,445 S 7/2006 Liu et al.  
 D535,838 S \* 1/2007 Ritch et al. .... D6/716  
 D546,085 S \* 7/2007 Ritch et al. .... D6/366  
 D554,382 S 11/2007 Nobles et al.  
 D557,916 S \* 12/2007 Dietrich ..... D6/366  
 D562,019 S \* 2/2008 Lievore ..... D6/366  
 D568,617 S \* 5/2008 Jehs et al. .... D6/366  
 D604,067 S 11/2009 Gaschy et al.  
 D609,037 S \* 2/2010 Miller et al. .... D6/716  
 7,654,616 B2 2/2010 Kinoshita et al.  
 D614,424 S 4/2010 Halvorson, Jr. et al.  
 D618,922 S 7/2010 Fuchs

D636,612 S \* 4/2011 Overthun et al. .... D6/338  
 D646,085 S \* 10/2011 Overthun et al. .... D6/716  
 D647,316 S 10/2011 Gasser  
 D649,802 S 10/2011 Kim  
 D649,802 S 12/2011 Breinholt  
 D660,040 S 5/2012 Bogdan et al.  
 D667,243 S 9/2012 Su  
 D673,398 S 1/2013 Opsvik  
 D677,069 S 3/2013 Adams, IV  
 D679,517 S \* 4/2013 Corcorran et al. .... D6/375  
 D679,525 S 4/2013 Corcorran et al.  
 D683,979 S 6/2013 Miller et al.  
 D726,468 S \* 4/2015 McKenna et al. .... D6/716

OTHER PUBLICATIONS

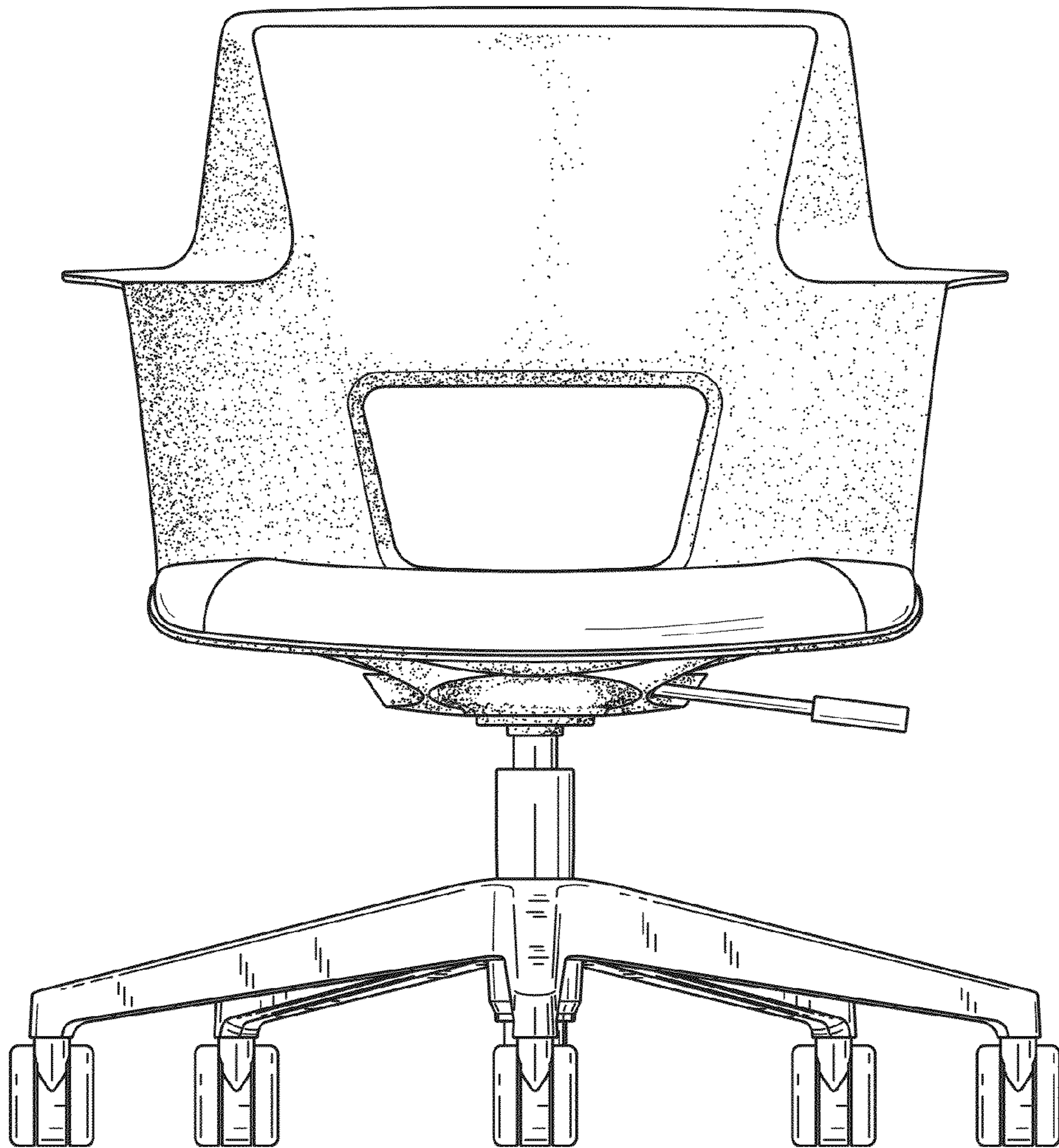
Web photograph taken on Mar. 17, 2010 and uploaded to Flickr.  
 Downloaded from <https://www.flickr.com/photos/88017382@N00/4441604898> on Jul. 11, 2014.

\* cited by examiner

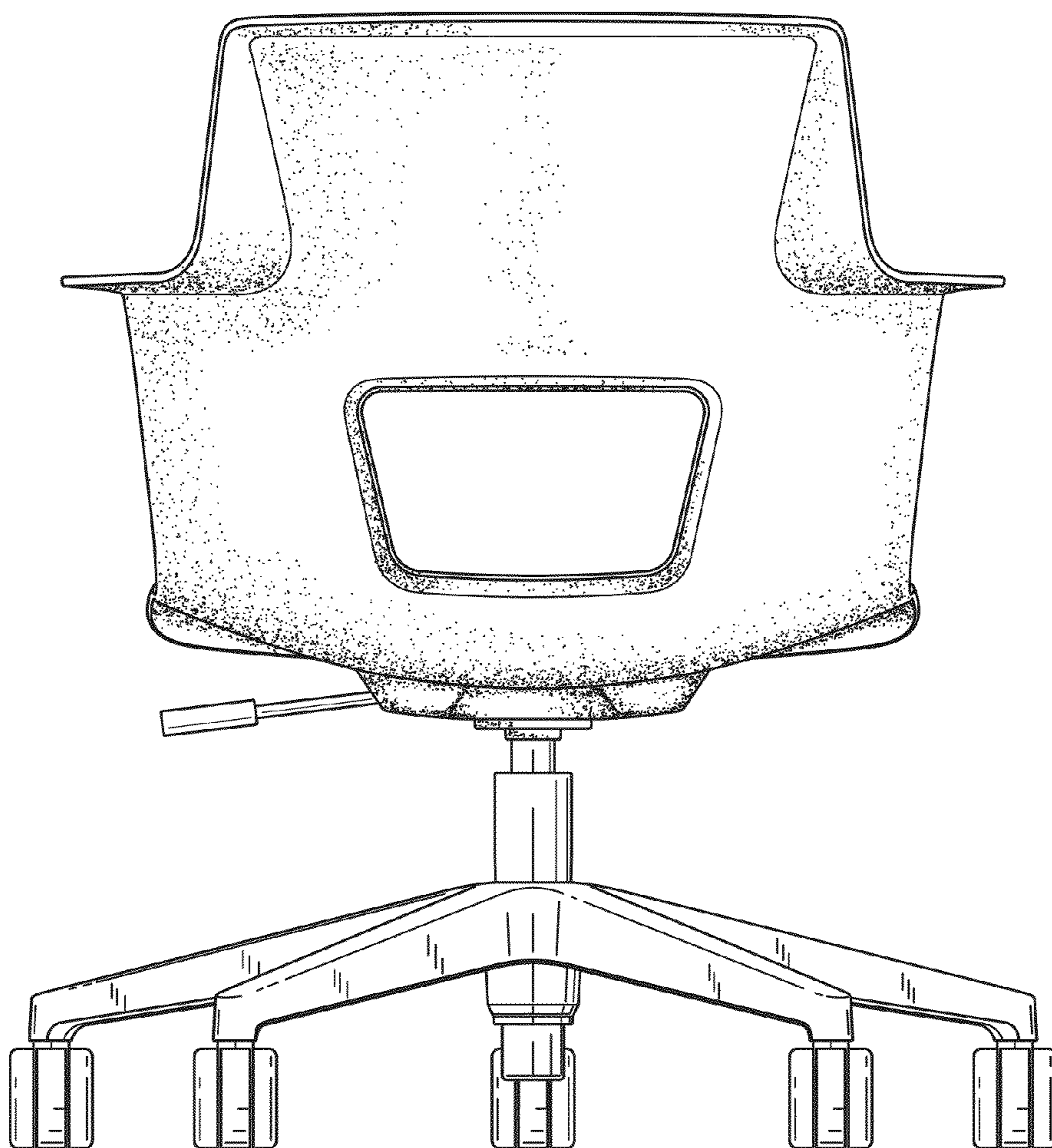


**FIG. 1**

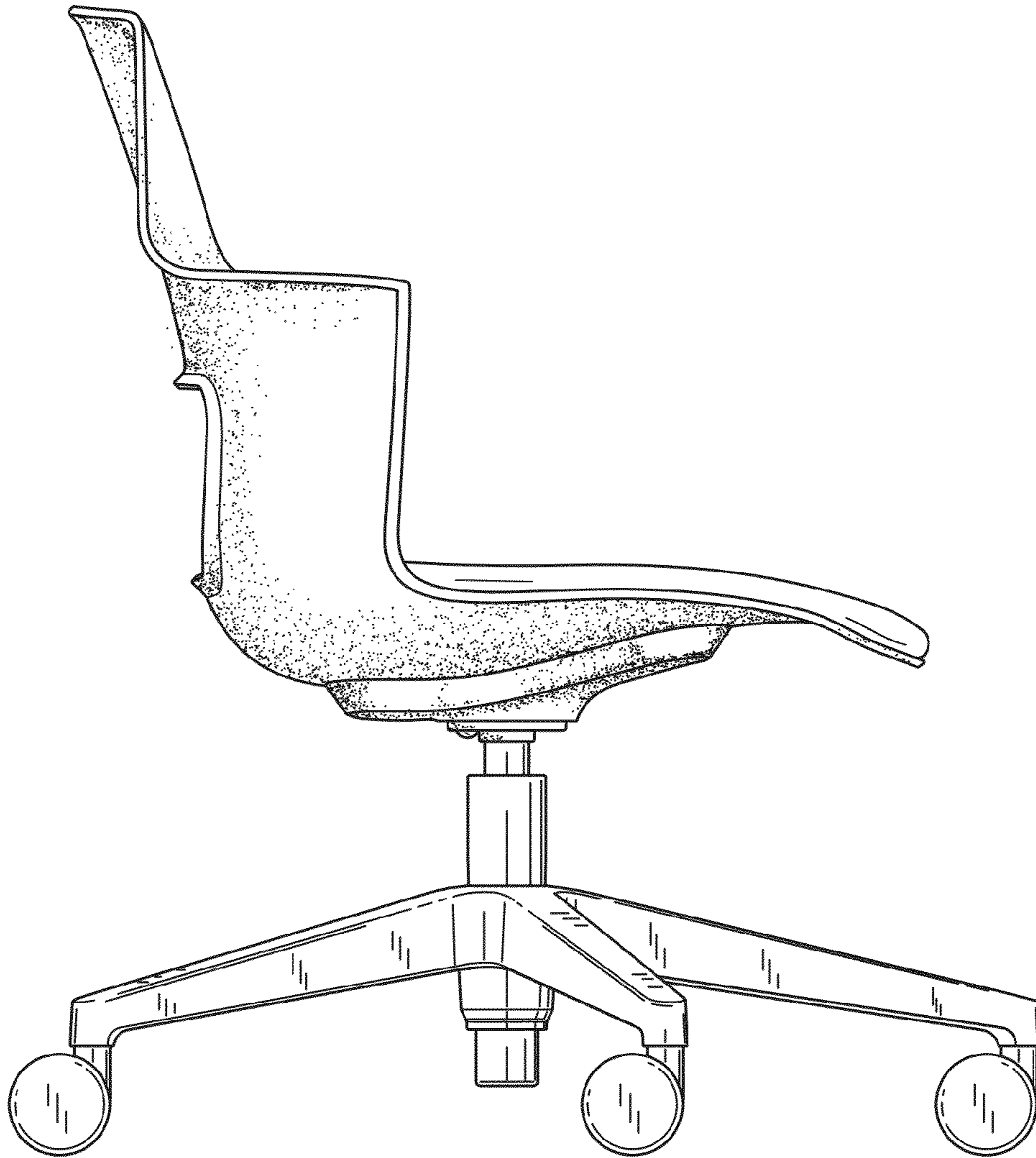




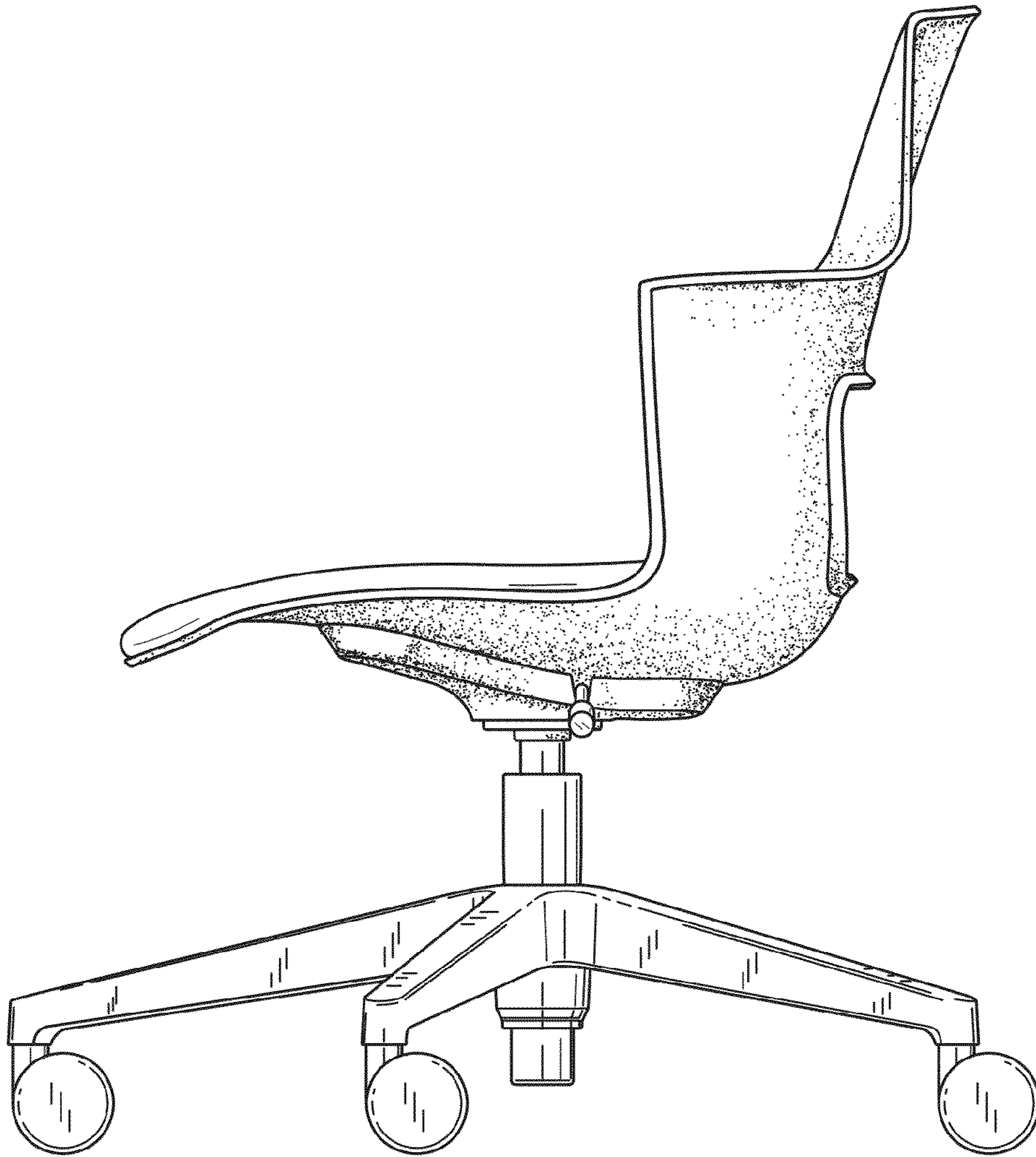
**FIG. 2**



**FIG. 3**

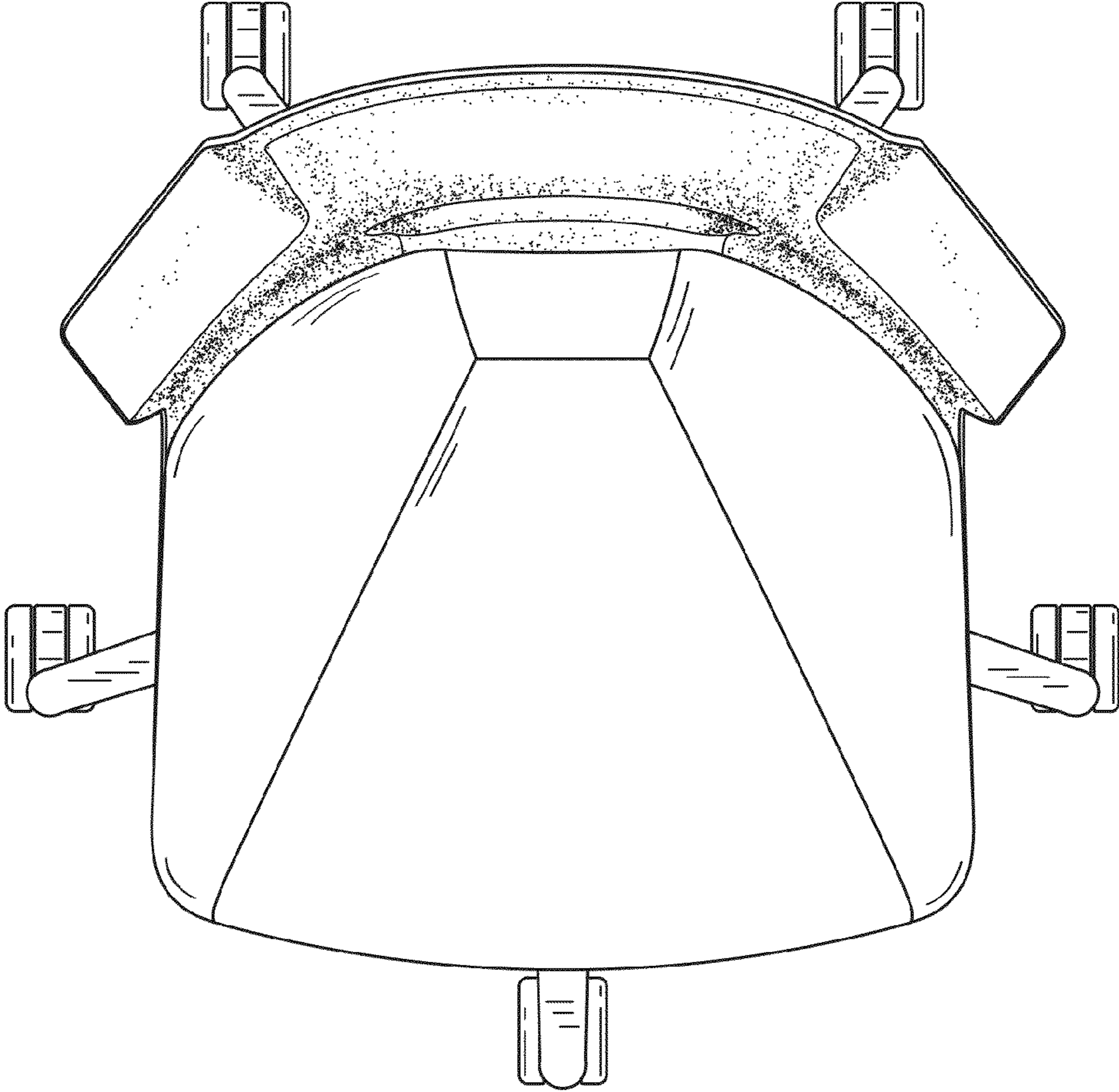


**FIG. 4**



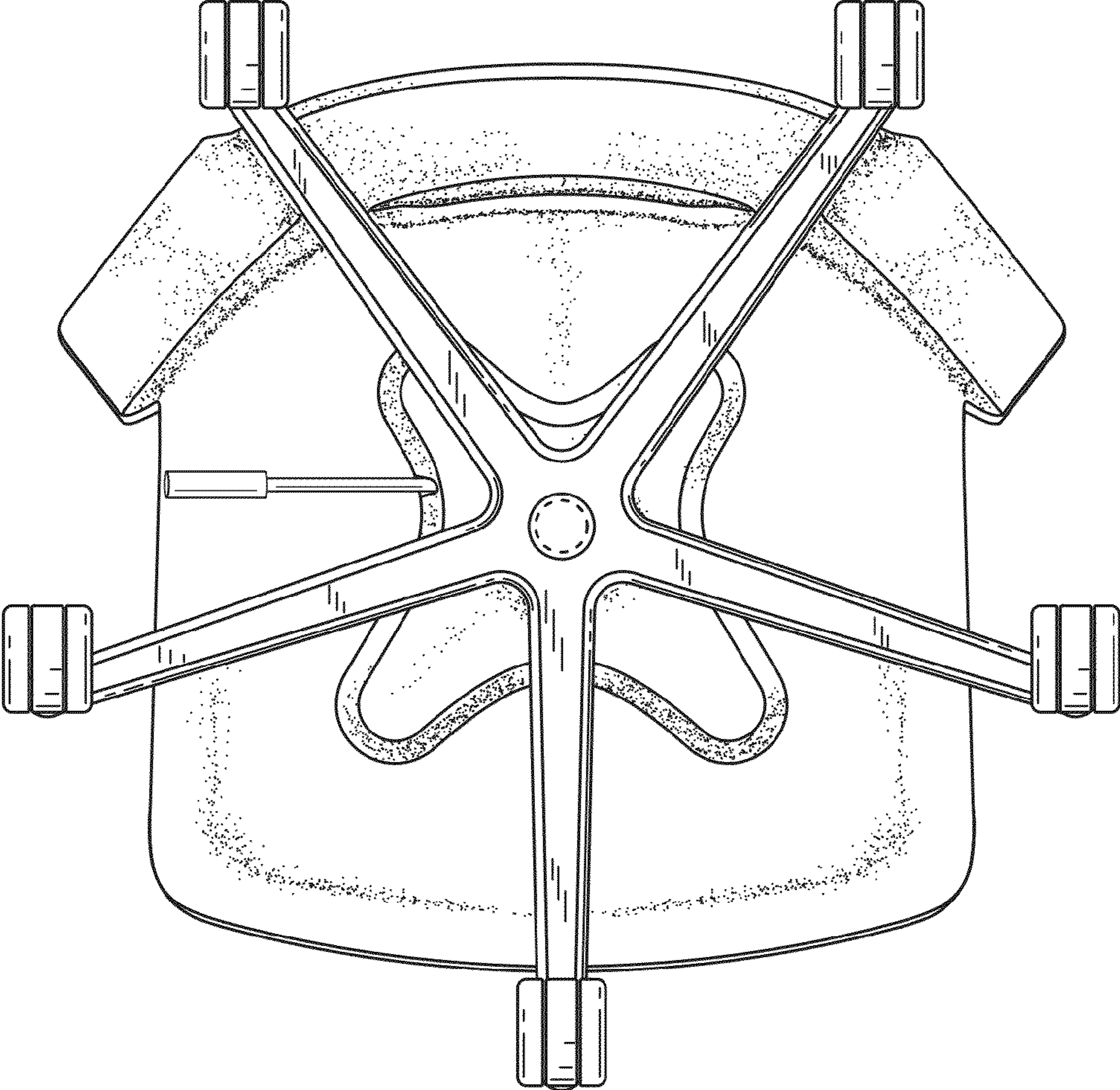
**FIG. 5**





**FIG. 6**





**FIG. 7**