

US00D731800S

(12) **United States Design Patent**  
**Wise**

(10) **Patent No.:** **US D731,800 S**  
(45) **Date of Patent:** **\*\* Jun. 16, 2015**

(54) **CHAISE LOUNGE**

(71) Applicant: **Robert W. Wise**, Penngrove, CA (US)

(72) Inventor: **Robert W. Wise**, Penngrove, CA (US)

(\*\*) Term: **14 Years**

(21) Appl. No.: **29/421,939**

(22) Filed: **Oct. 24, 2012**

(51) **LOC (10) Cl.** ..... **06-01**

(52) **U.S. Cl.**  
USPC ..... **D6/361**

(58) **Field of Classification Search**  
USPC ..... D6/334-336, 361, 369, 370, 374, 716,  
D6/716.1, 716.3, 716.4; 297/353, 354.1,  
297/377, 423.1  
CPC ..... A47C 7/402; A47C 1/024; A47C 1/143;  
A47C 7/50; B60N 2/22  
See application file for complete search history.

(56) **References Cited**

**U.S. PATENT DOCUMENTS**

D90,866 S *	10/1933	Bielecky	.....	D6/361
D93,004 S *	8/1934	Debski	.....	D6/335
D94,380 S *	1/1935	Debski	.....	D6/361
D95,671 S *	5/1935	Frankl	.....	D6/361
D120,131 S *	4/1940	Moeller	.....	D6/361

5,013,085 A *	5/1991	Craig	.....	A47C 1/143
5,395,157 A *	3/1995	Rollo et al.	.....	A47C 1/143
5,582,458 A *	12/1996	Wildt	.....	A47C 1/143
D381,524 S *	7/1997	Gabriel	.....	D6/361
5,829,080 A *	11/1998	Robillard et al.	.....	A47C 1/143
D450,942 S *	11/2001	Jones	.....	D6/361

\* cited by examiner

*Primary Examiner* — Mimoso De

(74) *Attorney, Agent, or Firm* — Lowe Graham Jones PLLC

(57) **CLAIM**

The ornamental design for a chaise lounge, as shown and described.

**DESCRIPTION**

FIG. 1 is a perspective view of a chaise lounge showing my new design.

FIG. 2 is a front elevational view thereof.

FIG. 3 is a right side elevational view thereof.

FIG. 4 is a top plan view thereof.

FIG. 5 is a left side elevational view thereof.

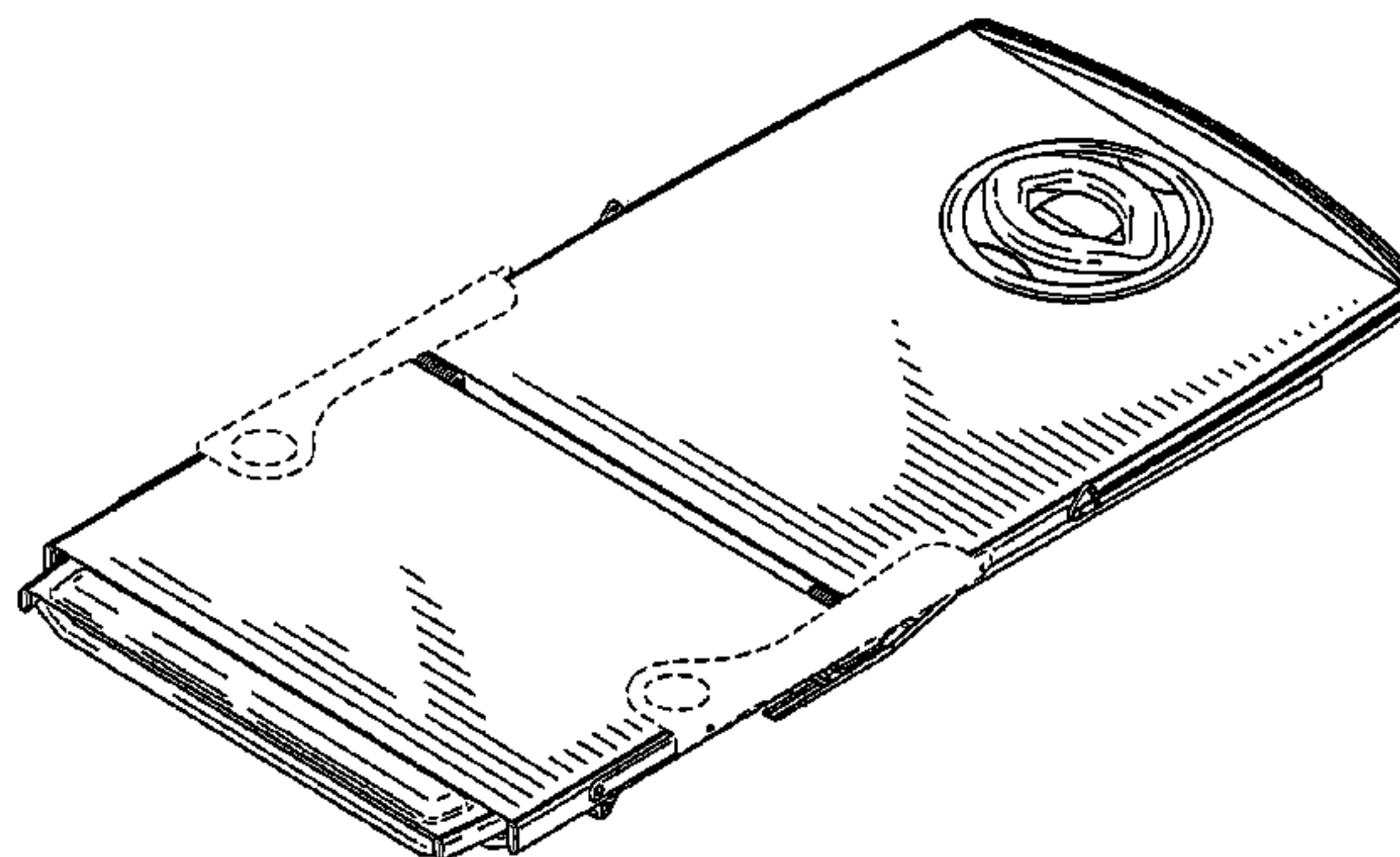
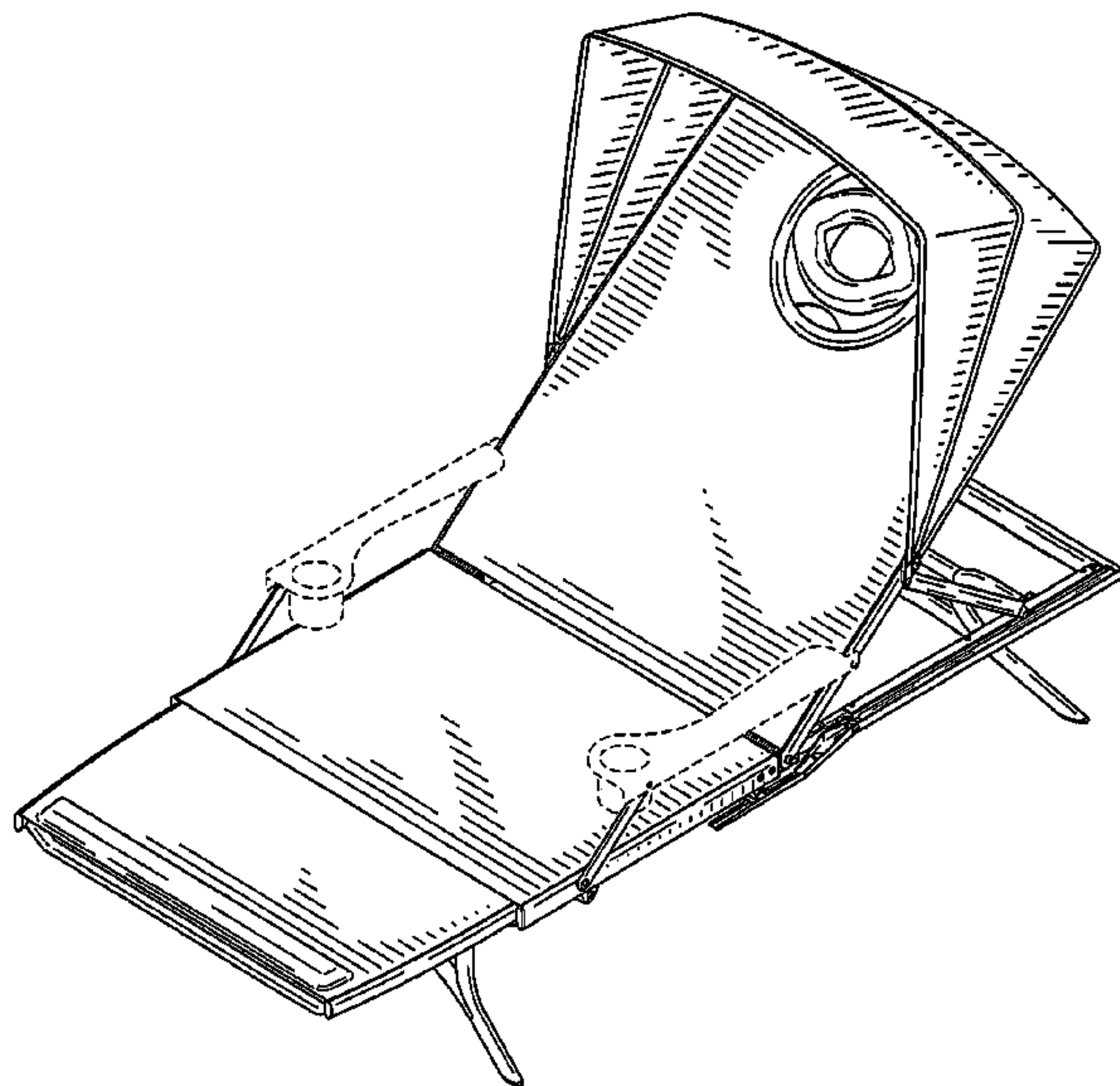
FIG. 6 is a rear view thereof.

FIG. 7 is a bottom plan view thereof; and,

FIG. 8 is a folded closed perspective view thereof.

The portions of the design shown in phantom lines form no part of the claimed invention.

**1 Claim, 8 Drawing Sheets**



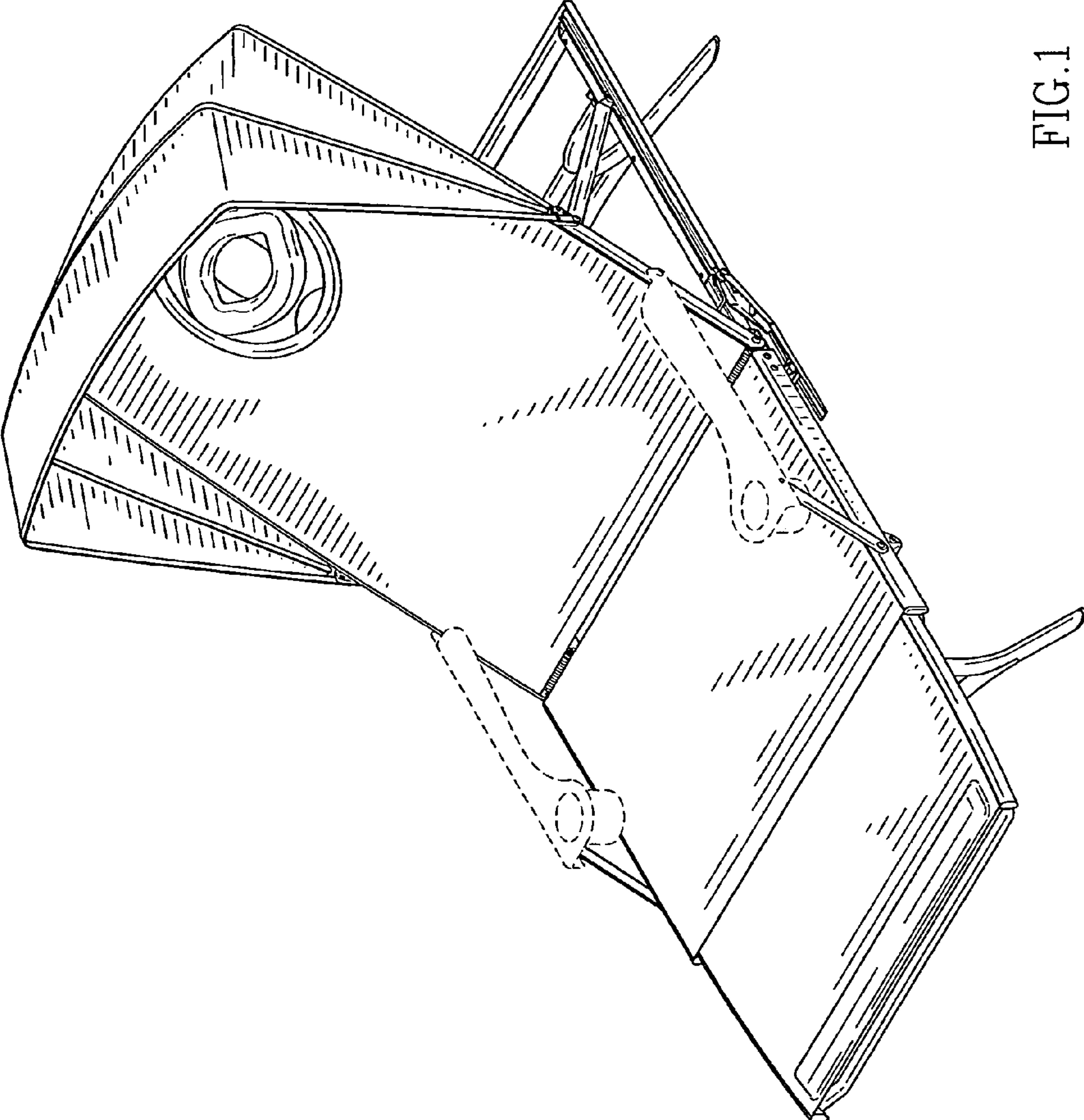


FIG.1

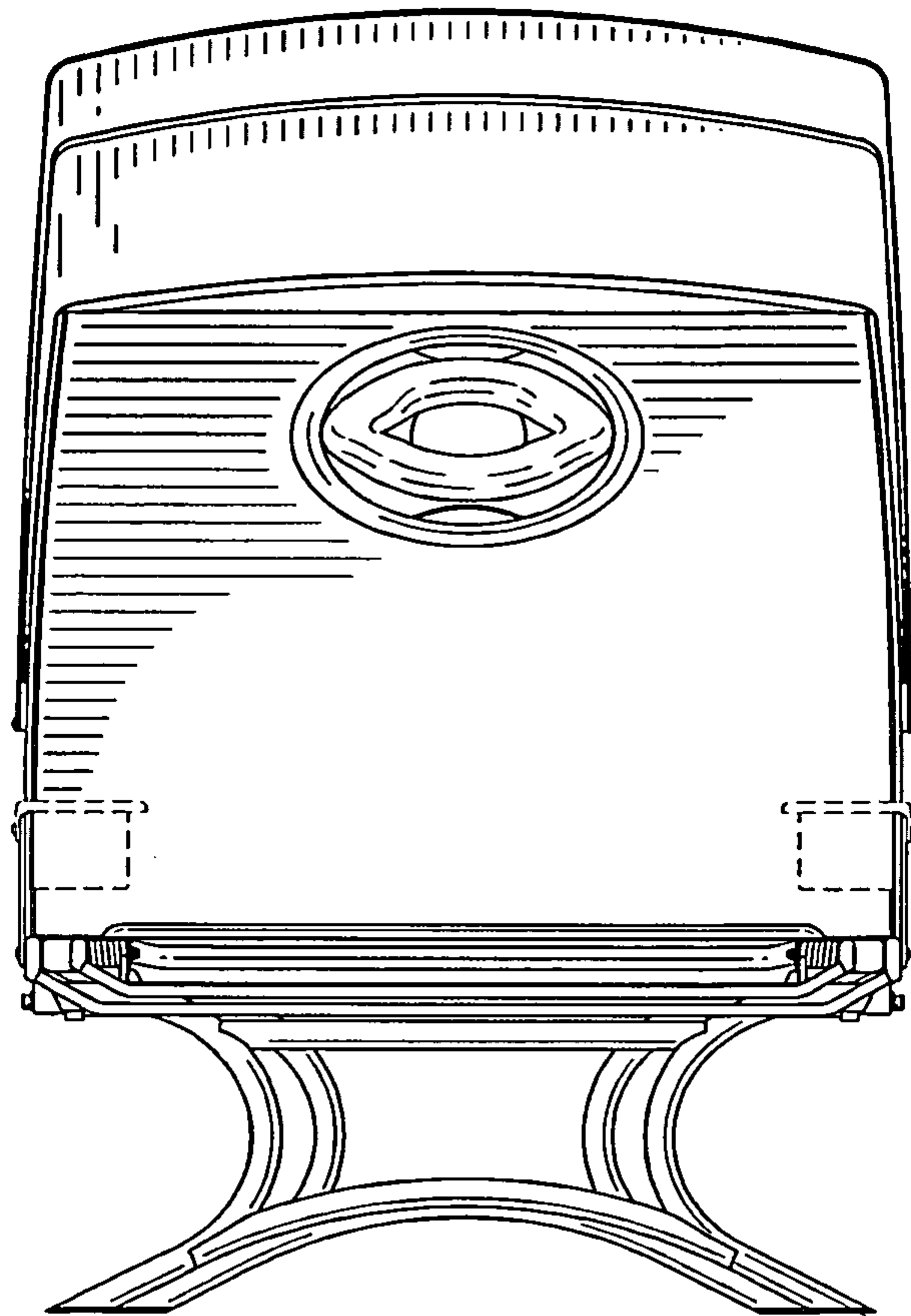


FIG. 2

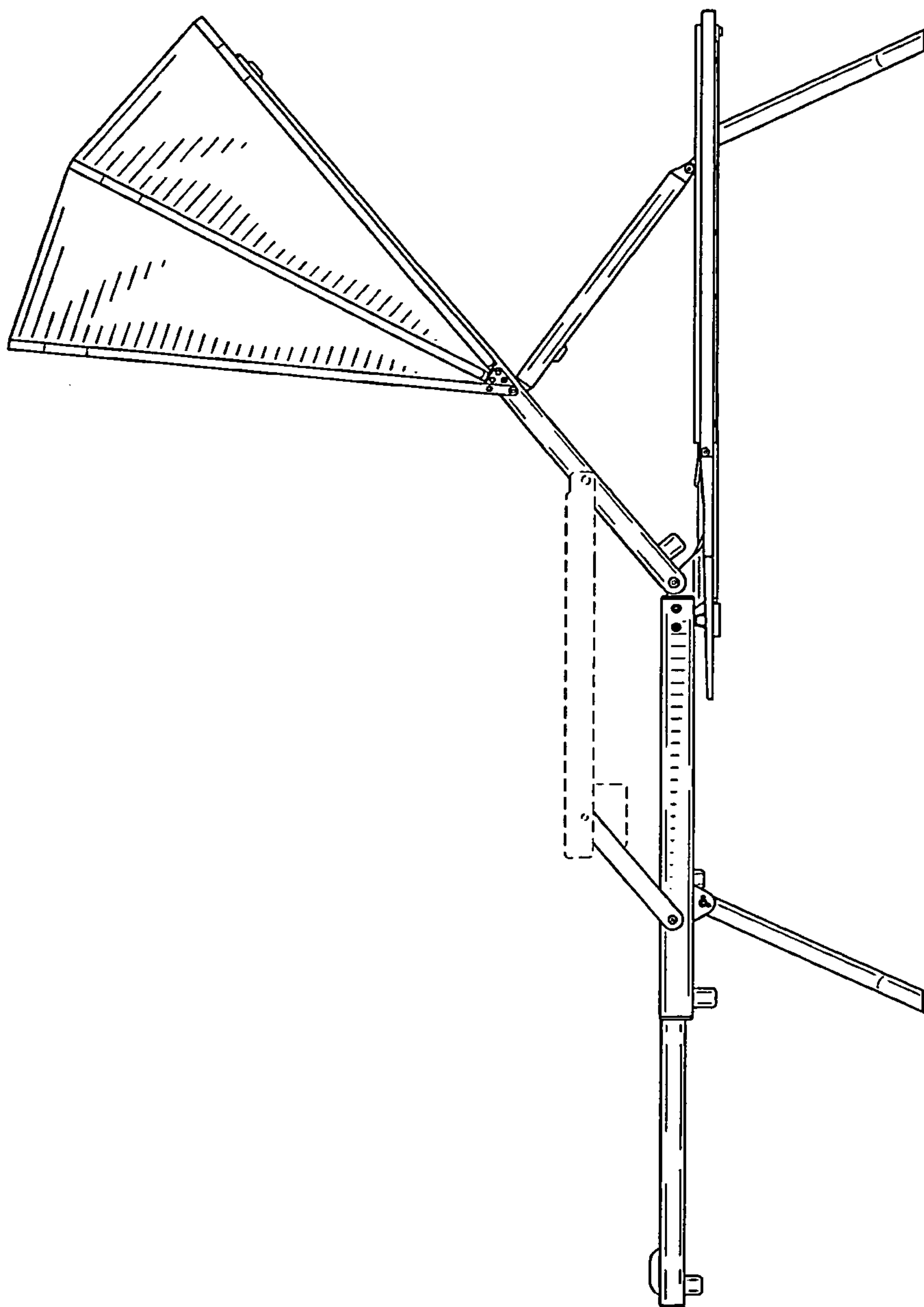


FIG. 3

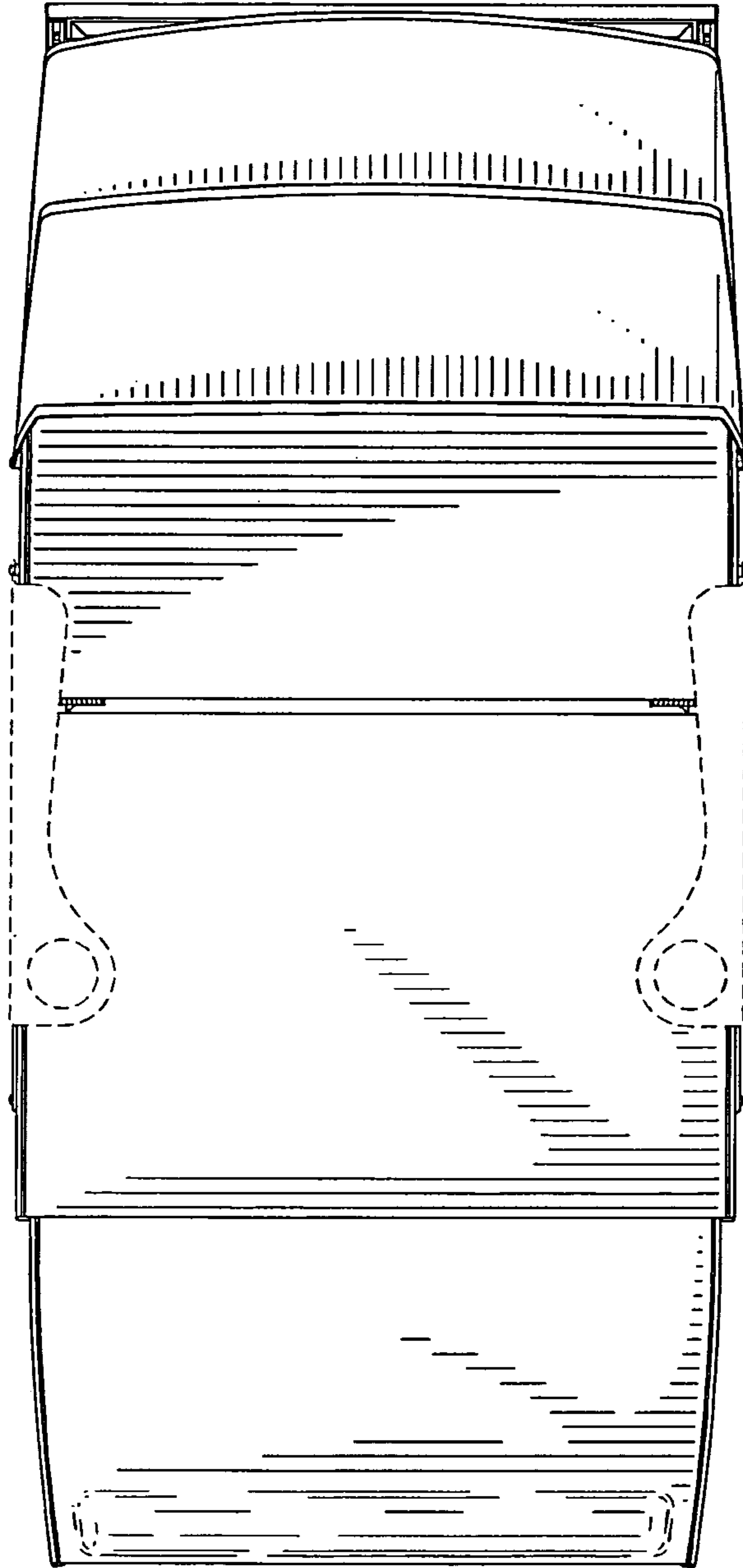


FIG. 4



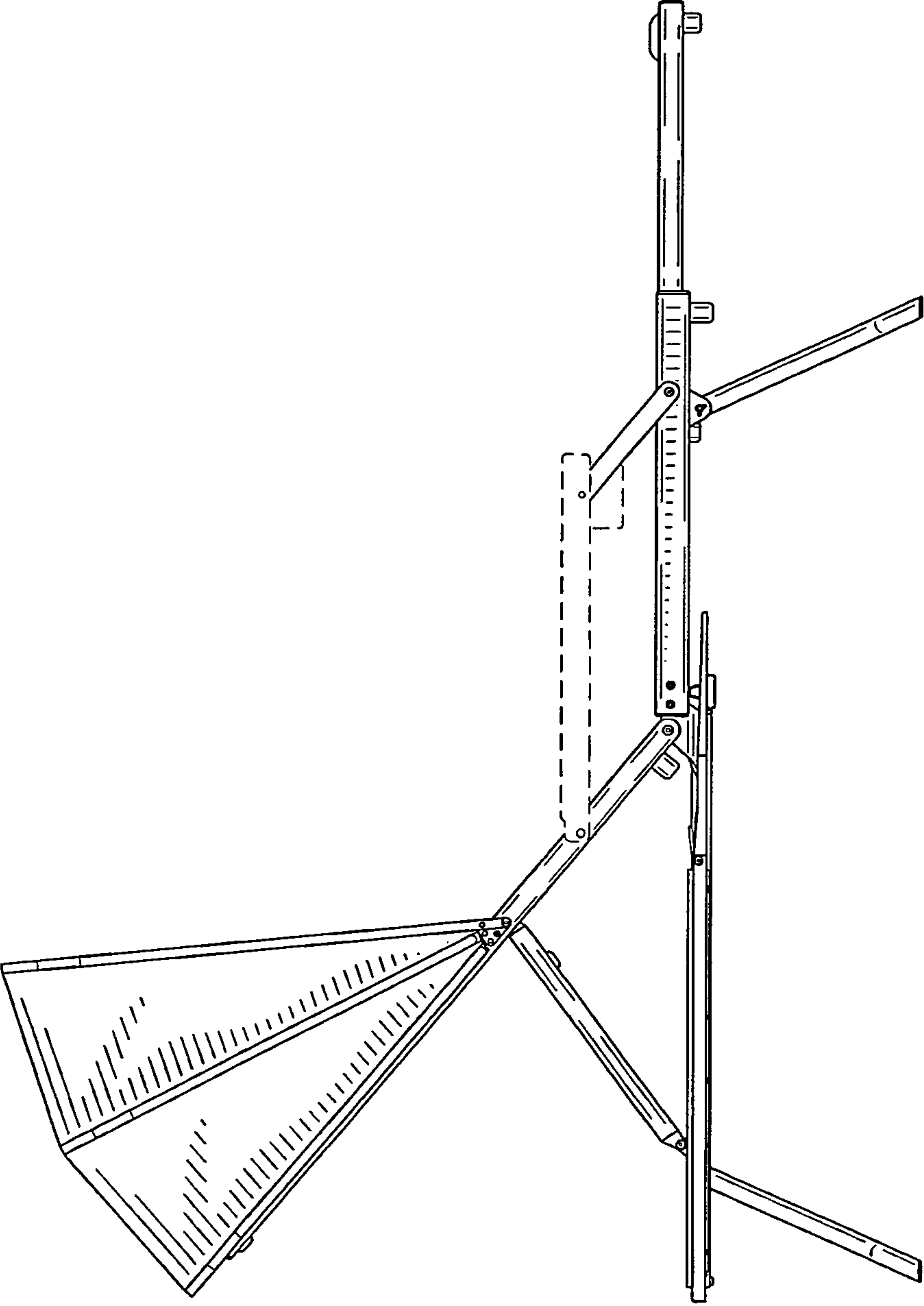


FIG.5

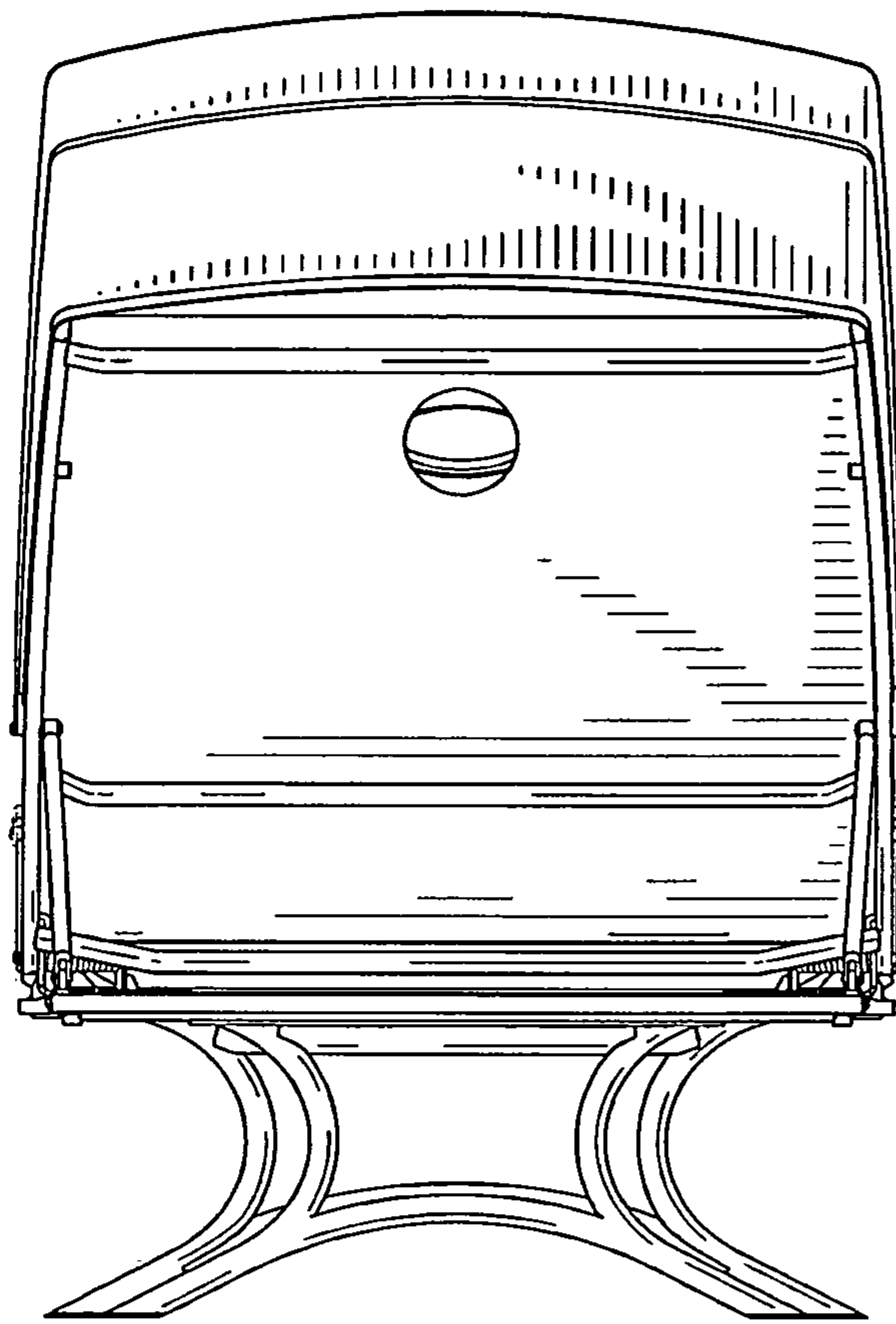


FIG. 6

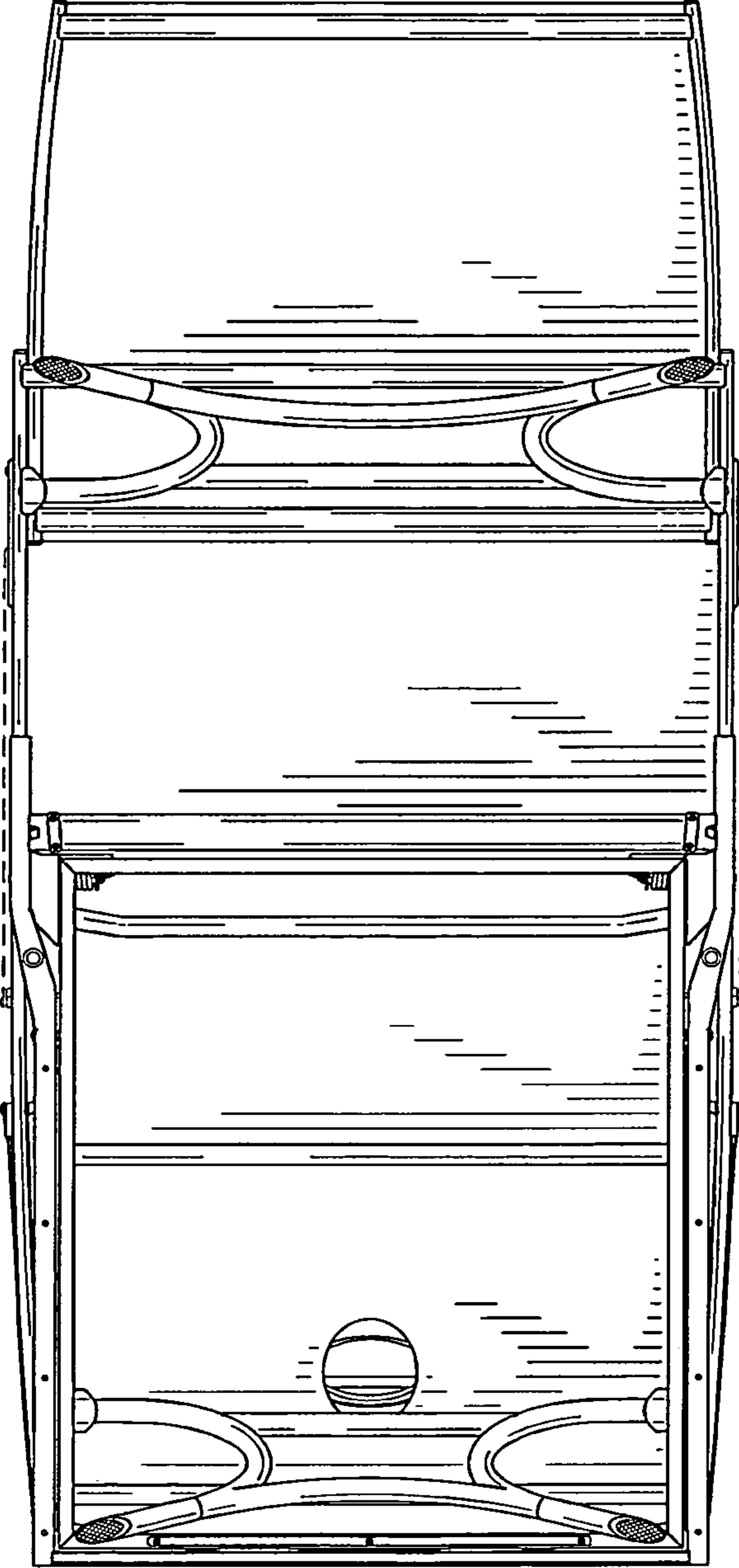


FIG. 7



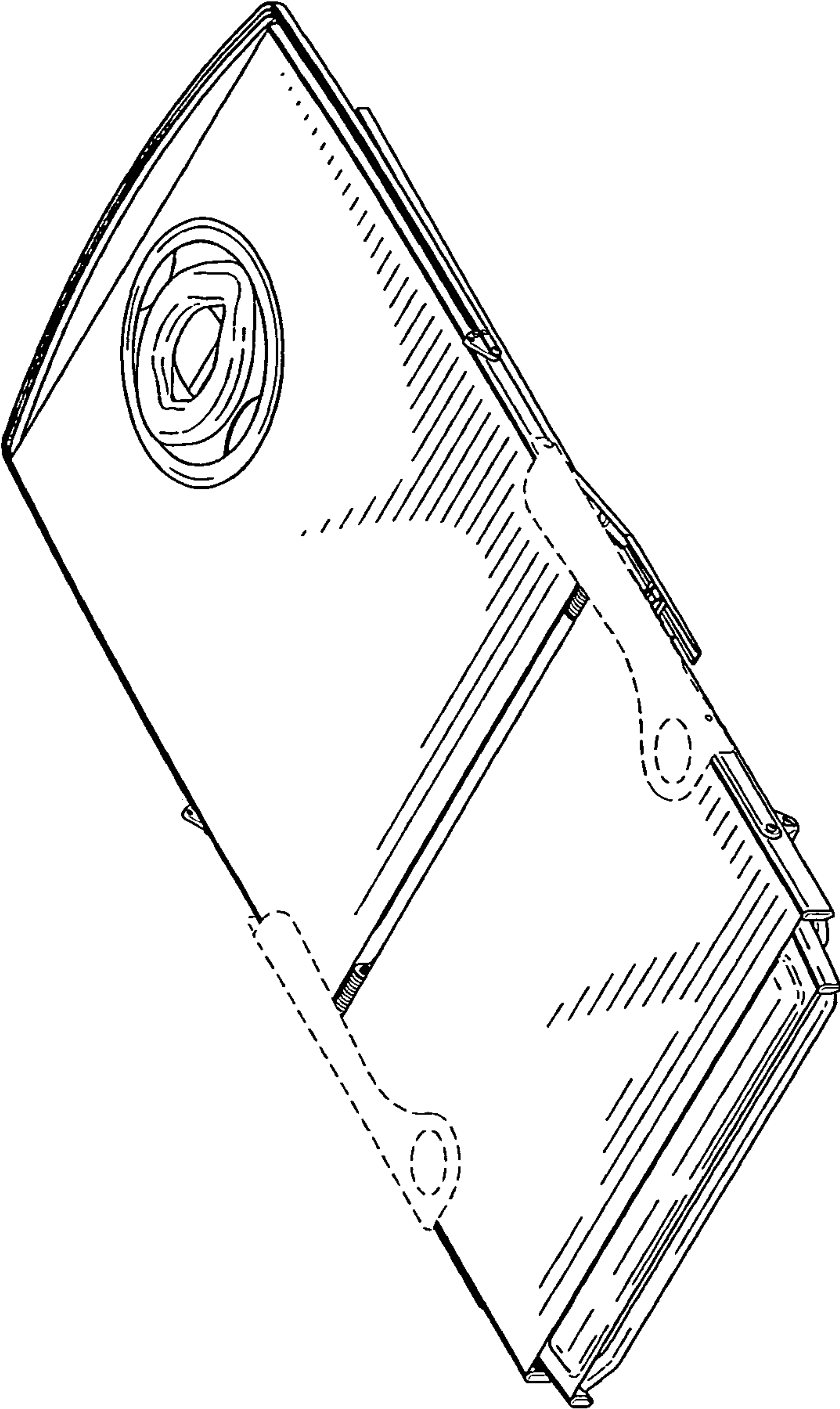


FIG. 8

UNITED STATES PATENT AND TRADEMARK OFFICE  
**CERTIFICATE OF CORRECTION**

PATENT NO. : D731,800 S  
APPLICATION NO. : 29/421939  
DATED : June 16, 2015  
INVENTOR(S) : Robert W. Wise

Page 1 of 1

It is certified that error appears in the above-identified patent and that said Letters Patent is hereby corrected as shown below:

Title Page

In the Description of Figure 7 delete the phrase “; and,” and substitute therefor with the punctuation --.--.

Signed and Sealed this  
Third Day of May, 2016



Michelle K. Lee  
*Director of the United States Patent and Trademark Office*