



US00D731799S

(12) **United States Design Patent**  
**Park**

(10) **Patent No.:** **US D731,799 S**  
(45) **Date of Patent:** **\*\* Jun. 16, 2015**

(54) **PICTURE FRAME**

(71) Applicant: **Umbra LLC**, Buffalo, NY (US)

(72) Inventor: **Sung wook Park**, Toronto (CA)

(73) Assignee: **Umbra LLC**, Buffalo, NY (US)

(\*\*) Term: **14 Years**

(21) Appl. No.: **29/491,581**

(22) Filed: **May 22, 2014**

(51) **LOC (10) Cl.** ..... **06-07**

(52) **U.S. Cl.**

USPC ..... **D6/314**; D6/300

(58) **Field of Classification Search**

USPC ..... D6/300–314, 691, 691.6, 691.7;  
D21/483, 484, 486, 487, 445;  
D11/121, 131, 132, 140, 141

CPC ..... G09F 15/0062; A63H 27/08; Y10S 52/10  
See application file for complete search history.

(56) **References Cited**

**U.S. PATENT DOCUMENTS**

|           |   |   |         |                |       |           |
|-----------|---|---|---------|----------------|-------|-----------|
| D169,868  | S | * | 6/1953  | Schwartz       | ..... | D6/484    |
| D242,363  | S | * | 11/1976 | De Sena        | ..... | D11/125   |
| D264,321  | S | * | 5/1982  | Kratz          | ..... | D11/96    |
| D266,262  | S | * | 9/1982  | Pennington     | ..... | D20/10    |
| 4,471,548 | A | * | 9/1984  | Goudie         | ..... | 40/610    |
| 4,791,761 | A | * | 12/1988 | Goudie         | ..... | 52/109    |
| 4,970,841 | A | * | 11/1990 | Zeigler        | ..... | 52/646    |
| 5,184,789 | A | * | 2/1993  | Aldrin         | ..... | 244/159.4 |
| 5,351,843 | A | * | 10/1994 | Wichman et al. | ..... | 211/195   |
| D411,254  | S | * | 6/1999  | Kihle          | ..... | D20/42    |
| D431,115  | S | * | 9/2000  | Napracone      | ..... | D6/310    |
| D431,911  | S | * | 10/2000 | Napracone      | ..... | D6/310    |
| D470,432  | S | * | 2/2003  | Rabinowitz     | ..... | D11/125   |

**OTHER PUBLICATIONS**

Tensegrity frame, available Aug. 2006, [online], [site visited Jan. 20, 2015]. Available from internet, <URL: <http://www.ideafactor.net/project/tensegrity-frame>>.\*

Umbra Prisma Frame, available May 2, 2014, [online], [site visited Jan. 20, 2015]. Available from internet, <URL: [http://www.amazon.com/Umbra-Prisma-Desktop-Frame-6-Inch/dp/B00HY8FUTM/ref=sr\\_1\\_3?ie=UTF8&qid=1421713951&sr=8-3&keywords=sung+wook+park+picture+frame#customerReviews](http://www.amazon.com/Umbra-Prisma-Desktop-Frame-6-Inch/dp/B00HY8FUTM/ref=sr_1_3?ie=UTF8&qid=1421713951&sr=8-3&keywords=sung+wook+park+picture+frame#customerReviews)>.\*  
Umbra Prisma Frame, available Jun. 20, 2014, [youtube video online], [site visited Jan. 20, 2015]. Available from internet, <URL: <https://www.youtube.com/watch?v=6YP0Bm-YkBI>>.\*

(Continued)

*Primary Examiner* — Cathron Brooks

*Assistant Examiner* — Teddy Falloway

(74) *Attorney, Agent, or Firm* — Simpson & Simpson, PLLC

(57) **CLAIM**

The ornamental design for a picture frame, as shown and described.

**DESCRIPTION**

FIG. 1 is a front perspective view of a picture frame of the present invention;

FIG. 2 is a front elevational view of the invention shown in FIG. 1;

FIG. 3 is a rear elevational view of the invention shown in FIG. 1;

FIG. 4 is a left side elevational view of the invention shown in FIG. 1;

FIG. 5 is a right side elevational view of the invention shown in FIG. 1;

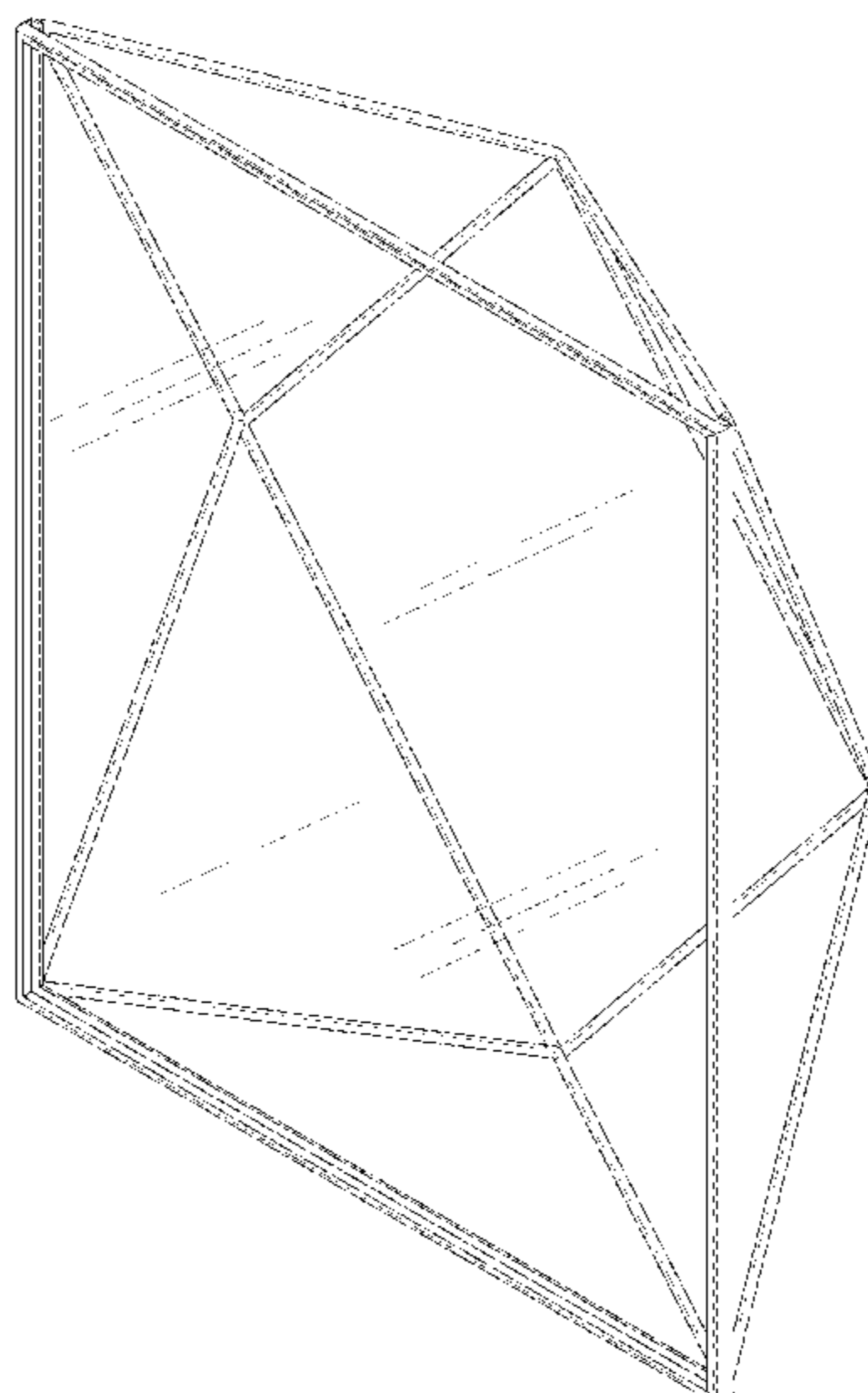
FIG. 6 is a top plan view of the invention shown in FIG. 1;

FIG. 7 is a bottom plan view of the invention shown in FIG. 1; and,

FIG. 8 is a front perspective view of the invention of FIG. 1, shown holding a picture.

The broken lines shown are included for the purpose of illustrating environmental structure that forms no part of the claimed design.

**1 Claim, 6 Drawing Sheets**



(56)

**References Cited**

OTHER PUBLICATIONS

Etagere Shelving, available Jun. 12, 2014, [online], [site visited Jan. 20, 2015]. Available from internet, <URL <http://dailydecorideas.blogspot.com/2014/09/geometric-shelves-easy-yet-eccentric.html>>.\*

Geometric brass dining table, available Aug. 15, 2013, [online], [site visited Jan. 20, 2015]. Available from internet, <URL <http://blog.mid2mod.com/2013/08/color-beautiful-color.html>>.\*

Space Frame, available spring/2013, [online], [site visited Jan. 20, 2015]. Available from internet, <URL <http://www.shirachu.com/consulate.html>>.\*

\* cited by examiner

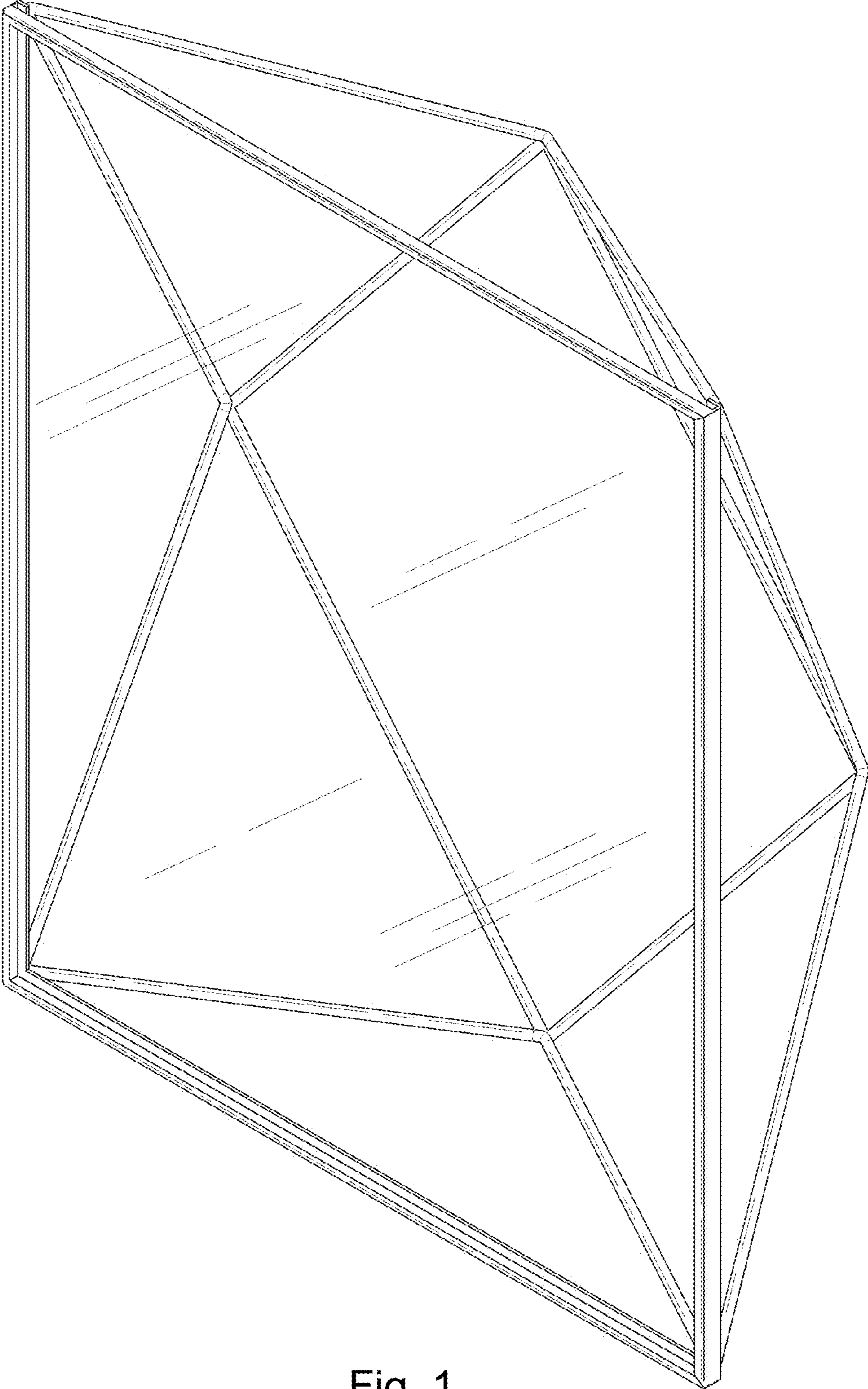


Fig. 1

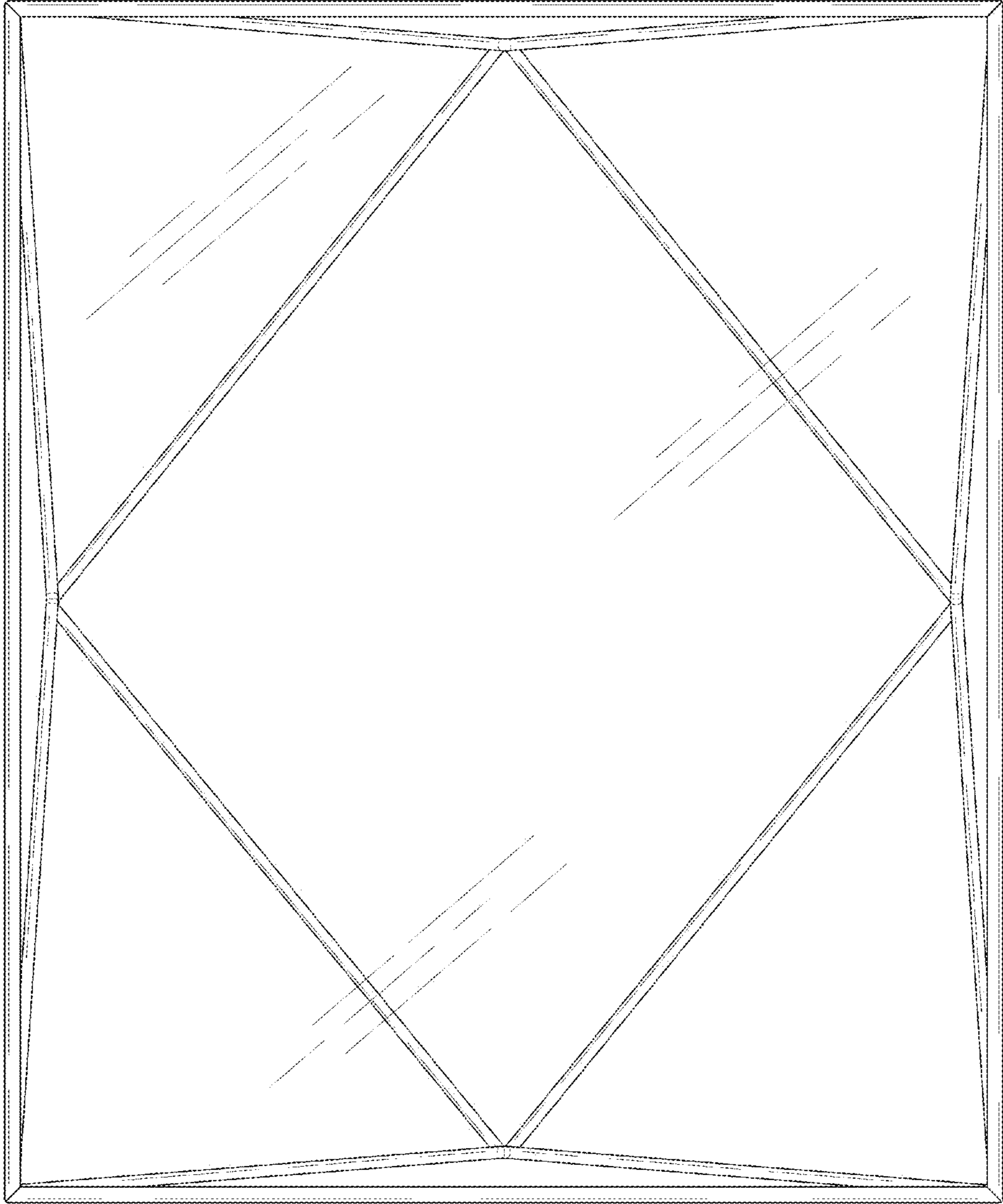


Fig. 2

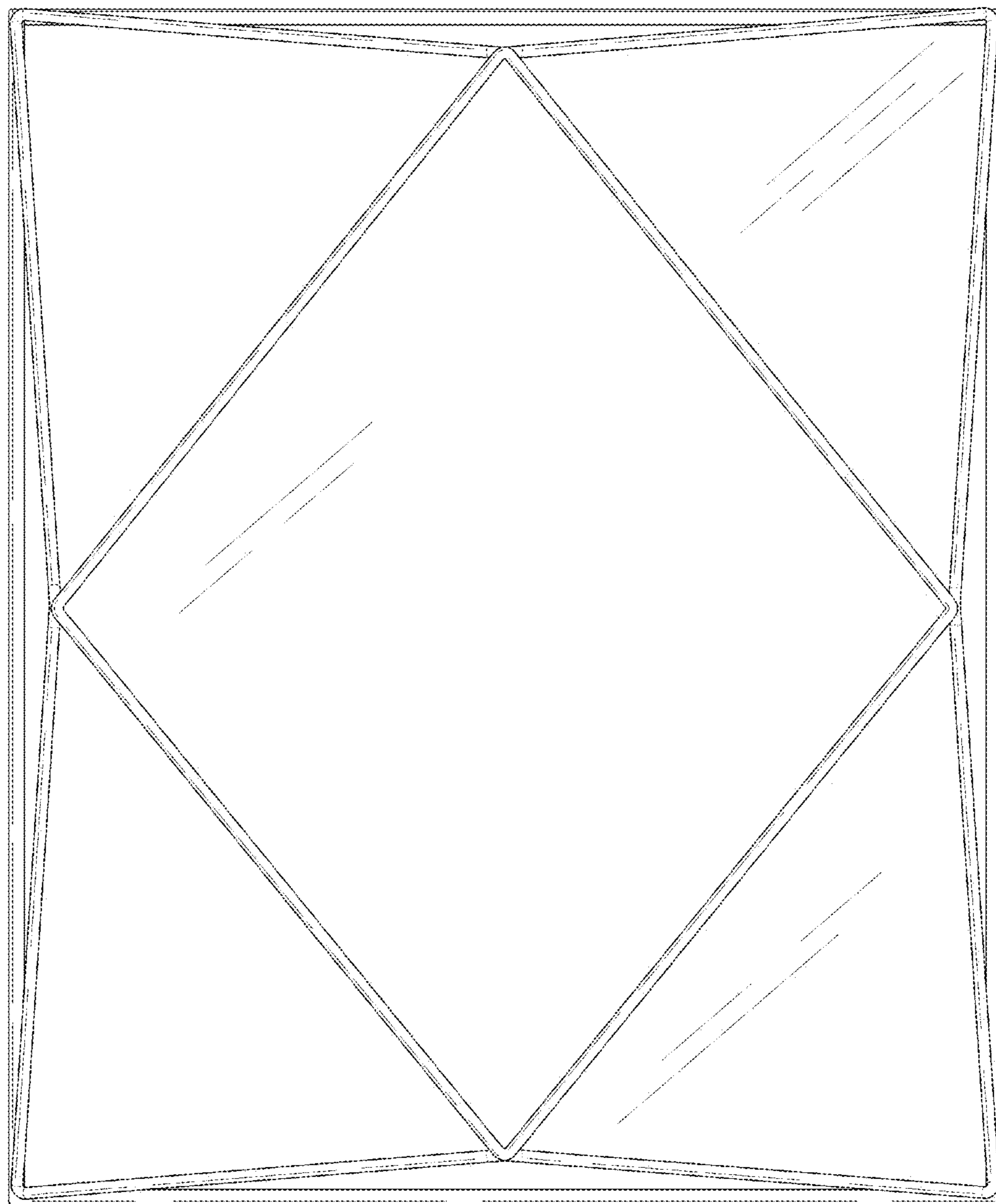


Fig. 3

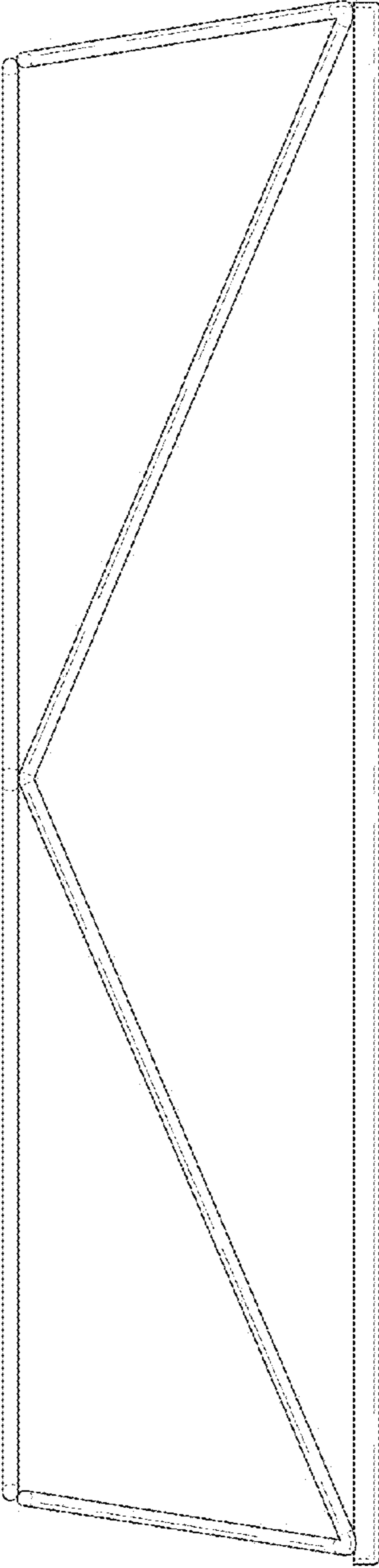


Fig. 4

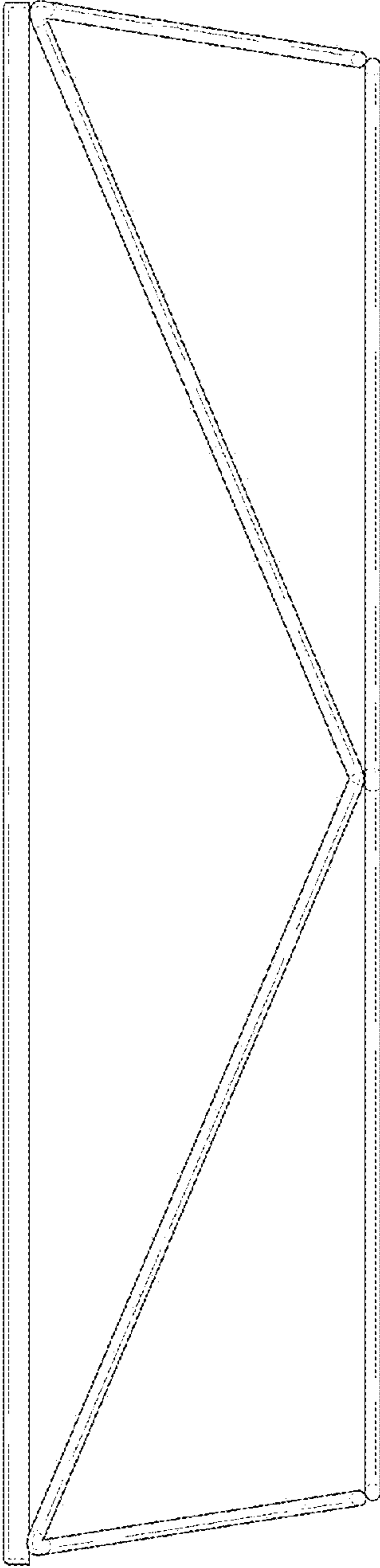


Fig. 5

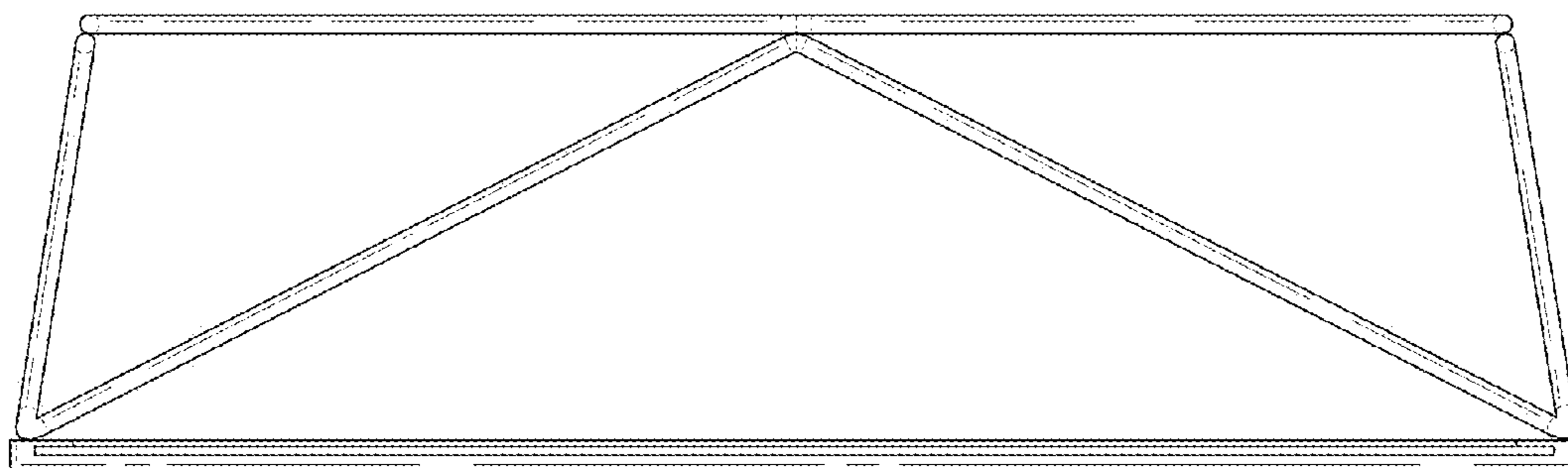


Fig. 6

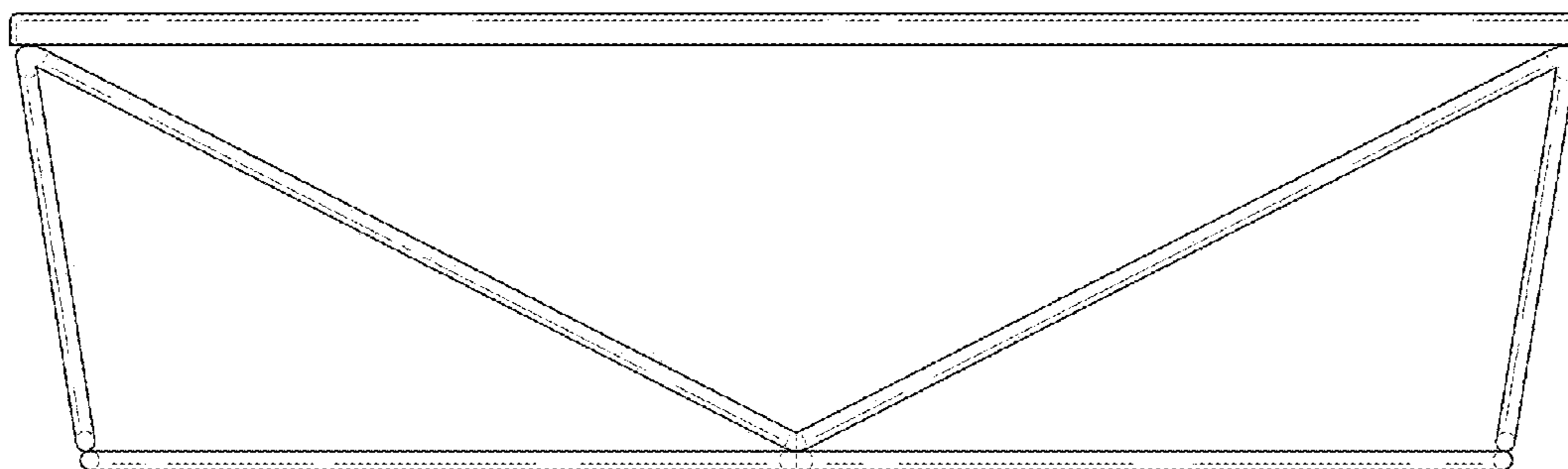


Fig. 7

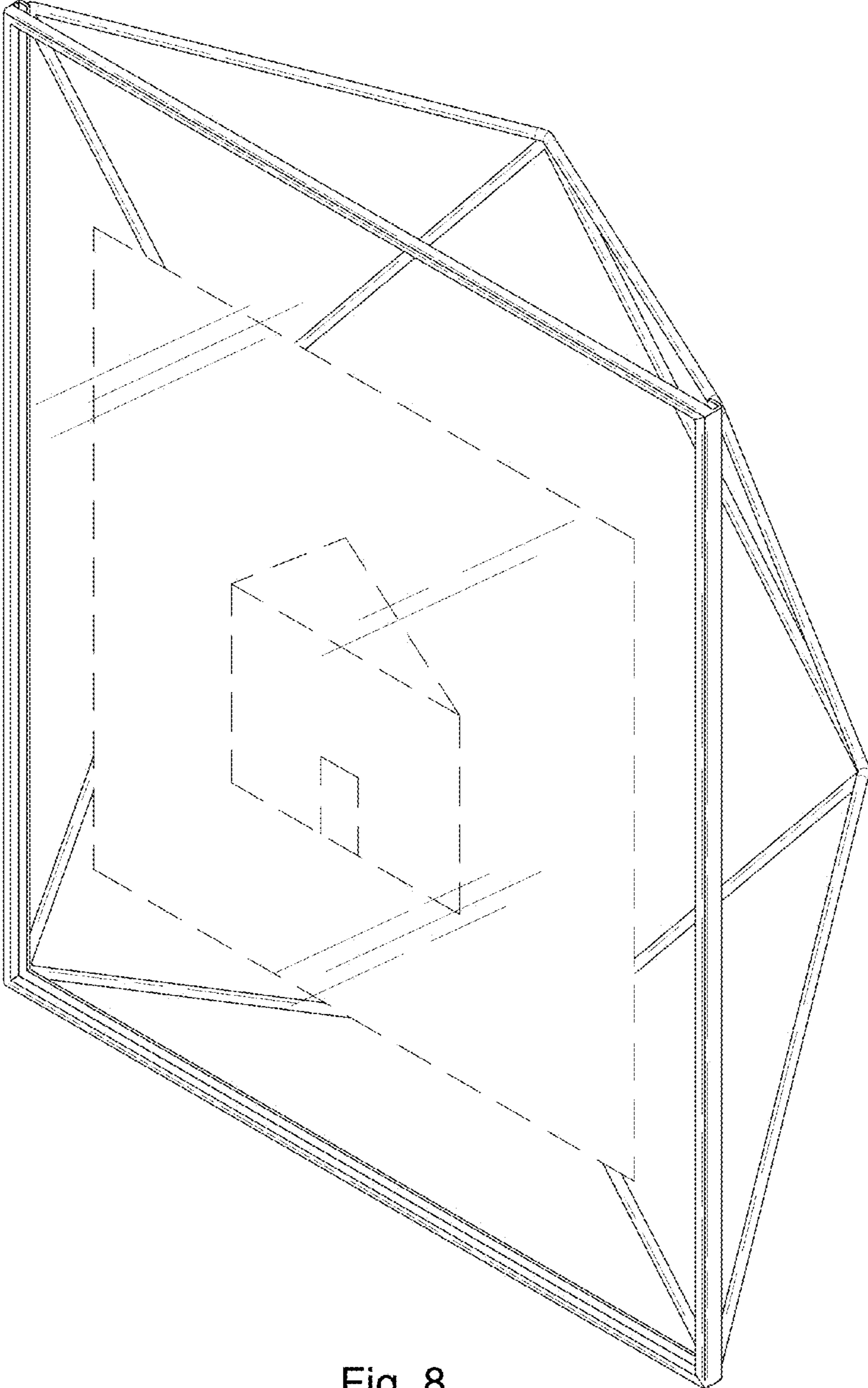


Fig. 8