



US00D731795S

(12) **United States Design Patent**
Lai

(10) **Patent No.:** **US D731,795 S**
(45) **Date of Patent:** **** Jun. 16, 2015**

(54) **TOOL HOLDER**
(71) Applicant: **JACO INTERNATIONAL CORPORATION**, Taichung (TW)

(72) Inventor: **Liang-Tzu Lai**, Taichung (TW)

(73) Assignee: **JACO INTERNATIONAL CORPORATION**, Taichung (TW)

(**) Term: **14 Years**

(21) Appl. No.: **29/480,006**

(22) Filed: **Jan. 22, 2014**

(51) **LOC (10) Cl.** **03-02**

(52) **U.S. Cl.**
USPC **D3/315**

(58) **Field of Classification Search**
USPC D3/204, 218, 226, 230, 232, 243, 245,
D3/246, 247, 249, 272, 273, 275, 276,
D3/283-285, 289, 290, 299, 303, 315,
D3/294-296, 903; 206/6.1, 235, 457, 349,
206/373, 5, 38, 380, 579, 581, 377;
220/833, 836, DIG. 13; 224/249
See application file for complete search history.

(56) **References Cited**

U.S. PATENT DOCUMENTS

2,590,307 A * 3/1952 Gibson 206/377
5,692,656 A * 12/1997 Dembicks 224/249

5,938,028 A * 8/1999 Hu 206/377
D461,311 S * 8/2002 Gharib D3/315
D604,509 S * 11/2009 Andrews D3/259
D681,336 S * 5/2013 Zhang D3/315
D708,853 S * 7/2014 Johnson et al. D3/315

* cited by examiner

Primary Examiner — Ian Simmons
Assistant Examiner — Charles Hanson

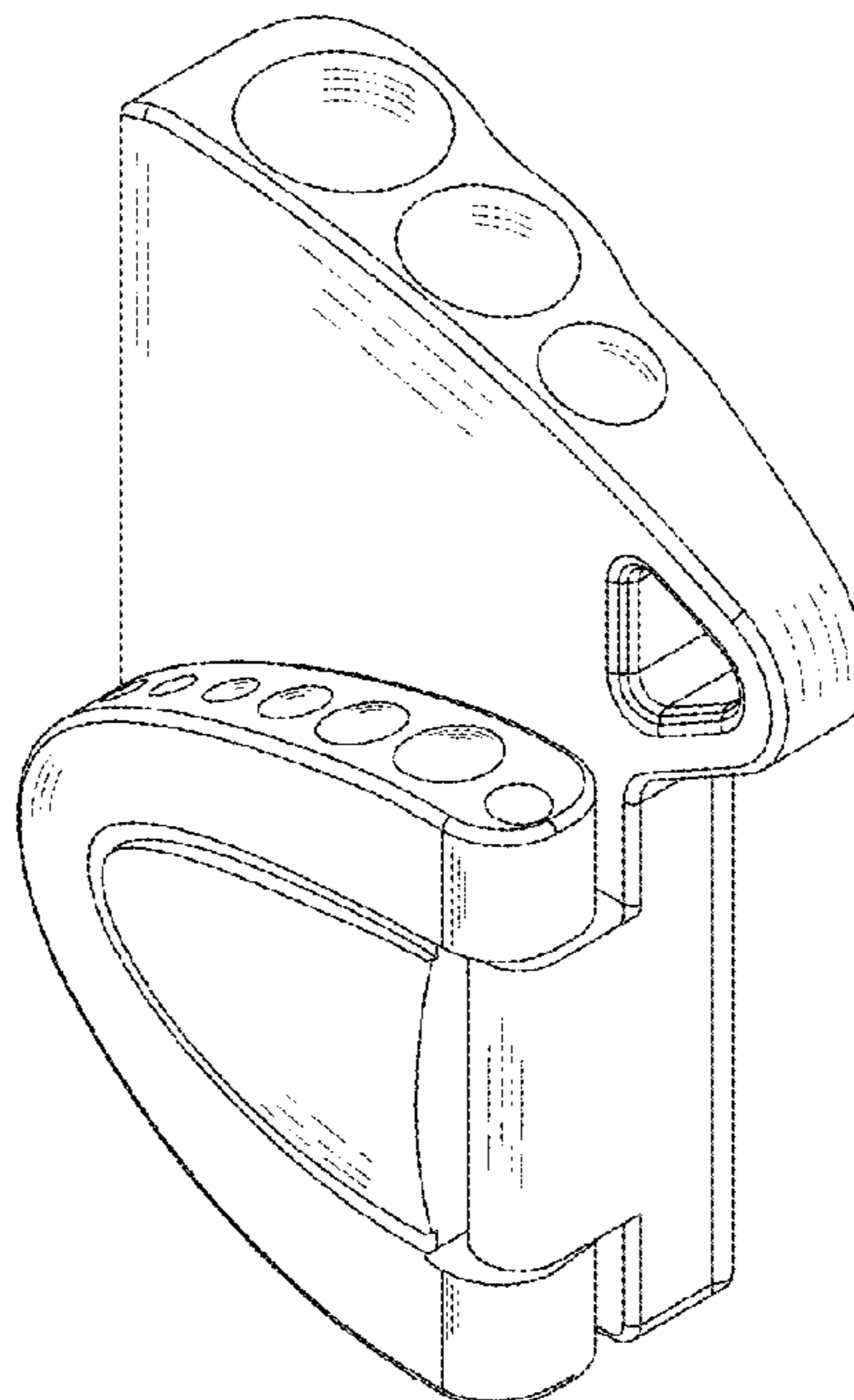
(57) **CLAIM**

The ornamental design for a tool holder, as shown and described.

DESCRIPTION

FIG. 1 is a perspective view of a tool holder showing my new design;
FIG. 2 is a front side view thereof;
FIG. 3 is a back side view thereof;
FIG. 4 is a left side view thereof;
FIG. 5 is a right side view thereof;
FIG. 6 is a top plan view thereof;
FIG. 7 is a bottom plan view thereof; and,
FIG. 8 is a perspective view thereof, showing a portion of the tool holder in an extended position.
The broken line showing of tools in FIG. 8 is included for the purpose of illustrating environment and forms no part of the claimed design.

1 Claim, 5 Drawing Sheets



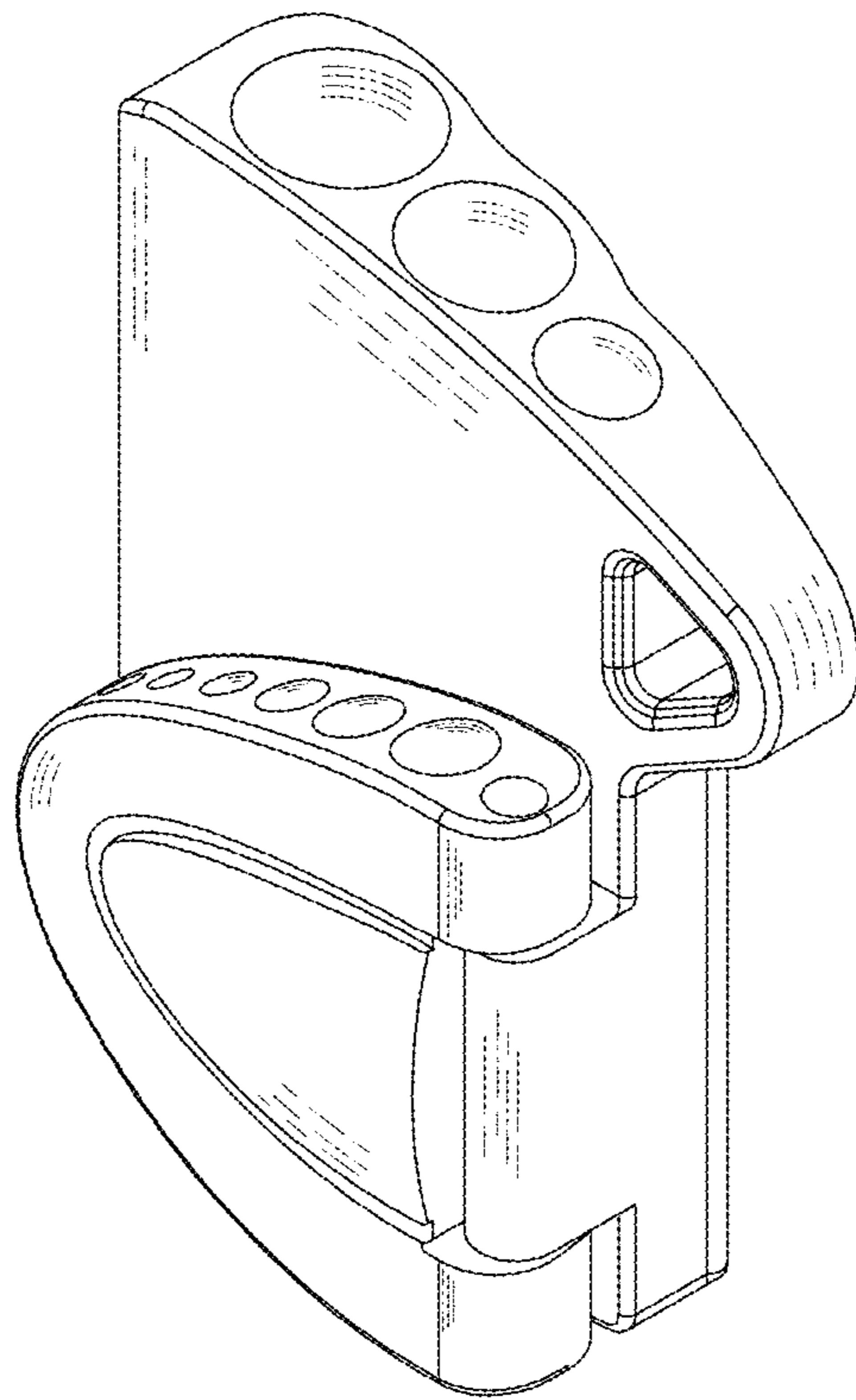


FIG. 1

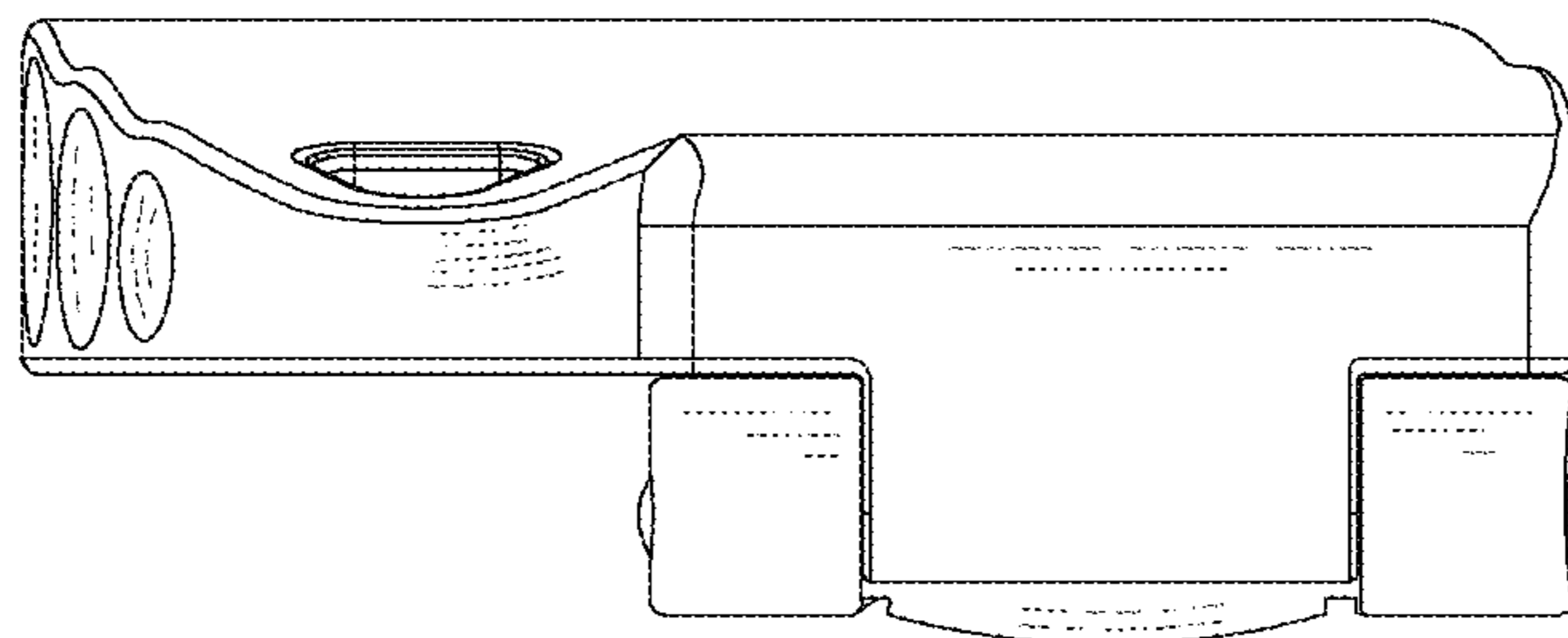


FIG. 3

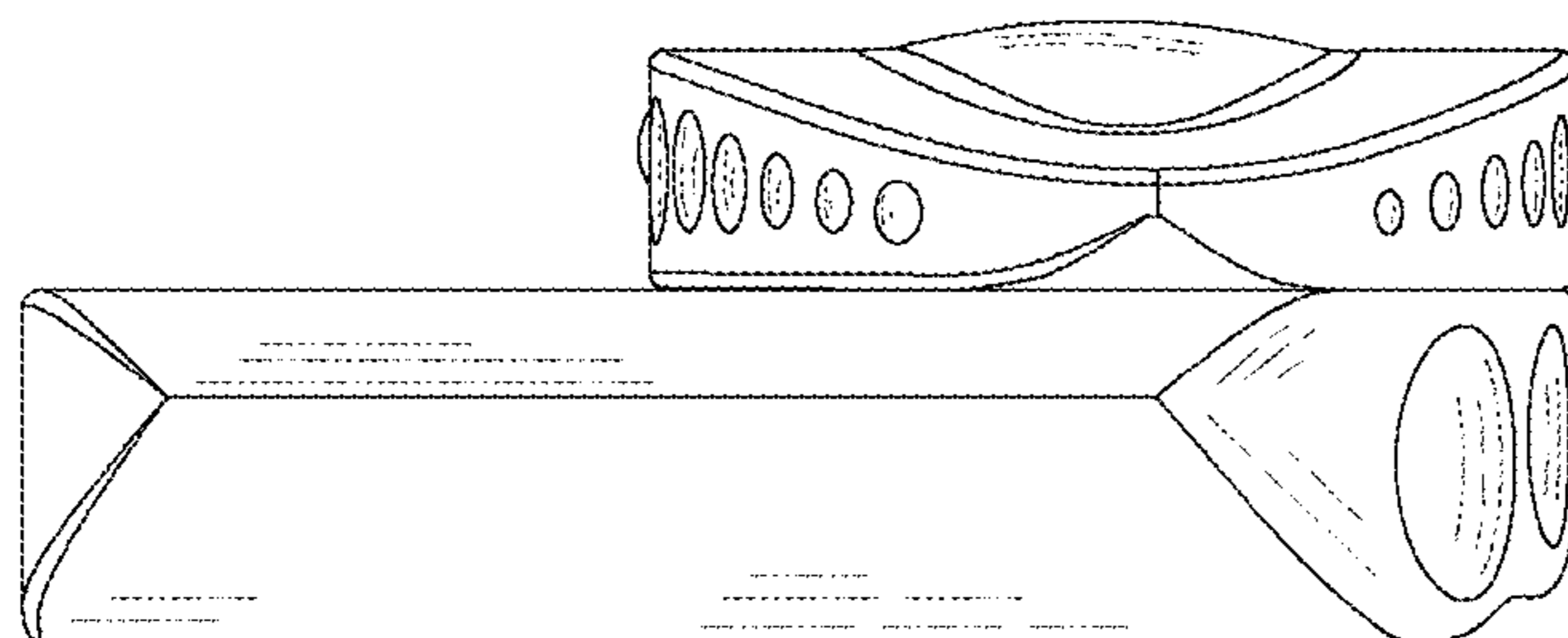


FIG. 2

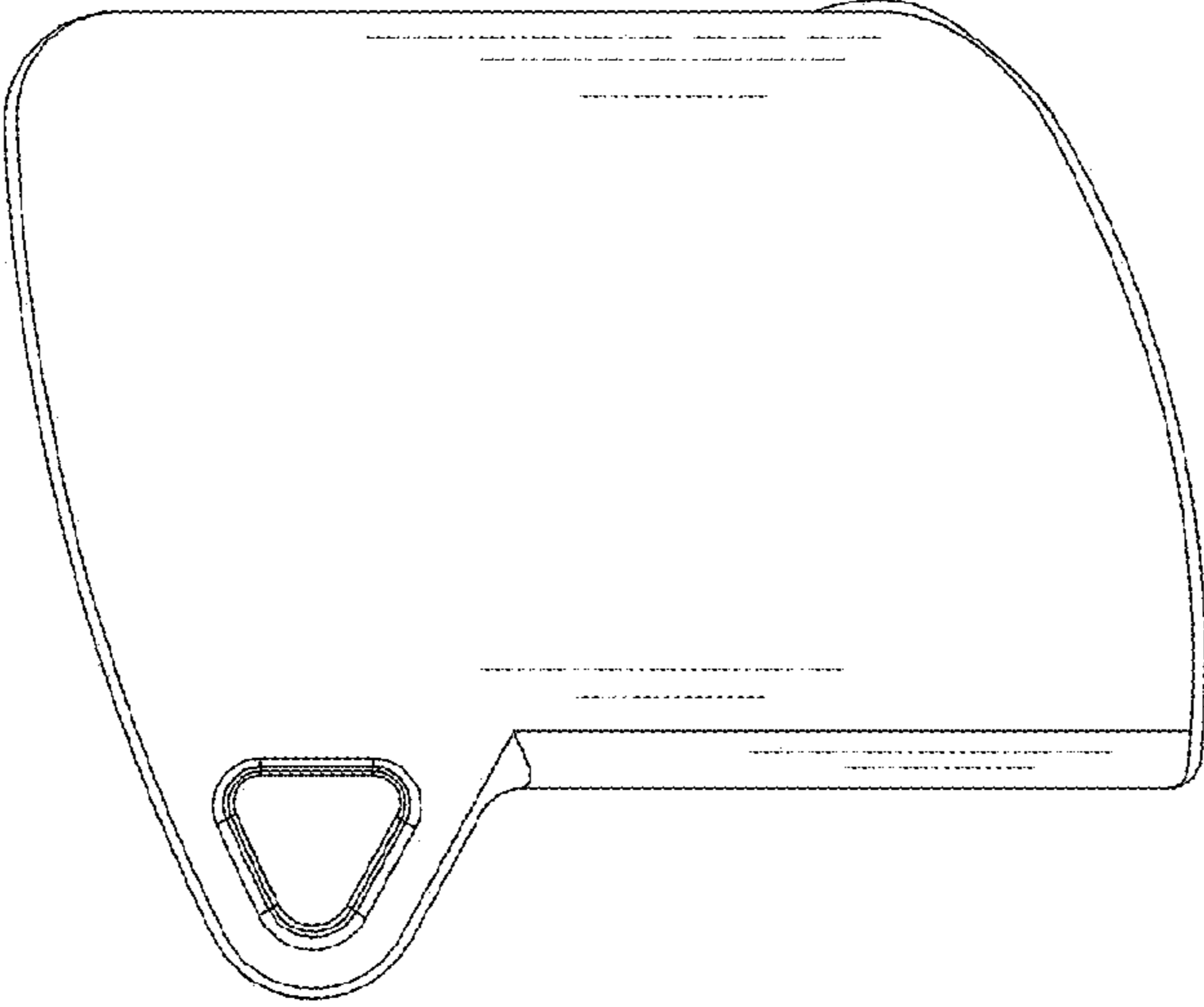


FIG. 5

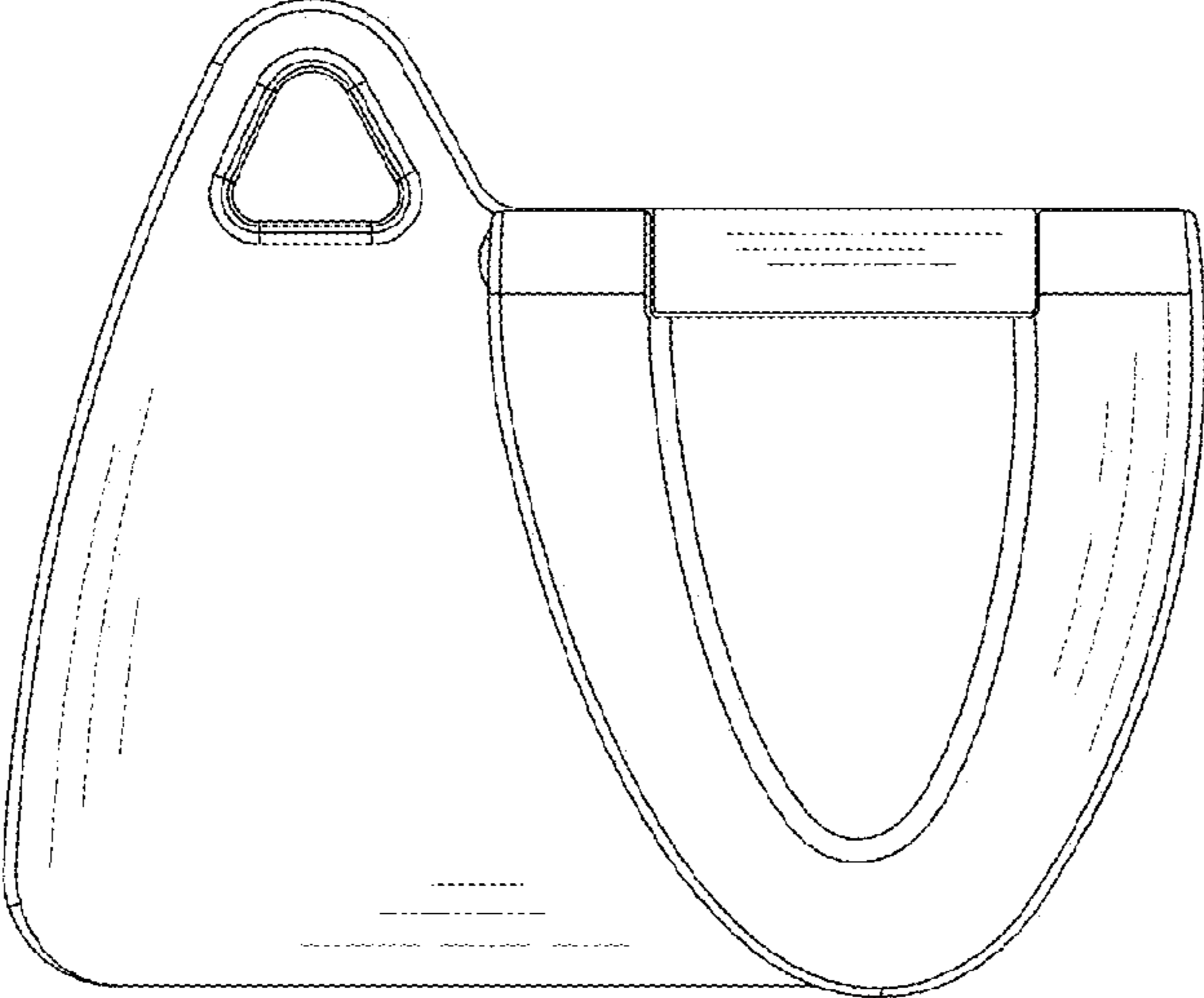


FIG. 4

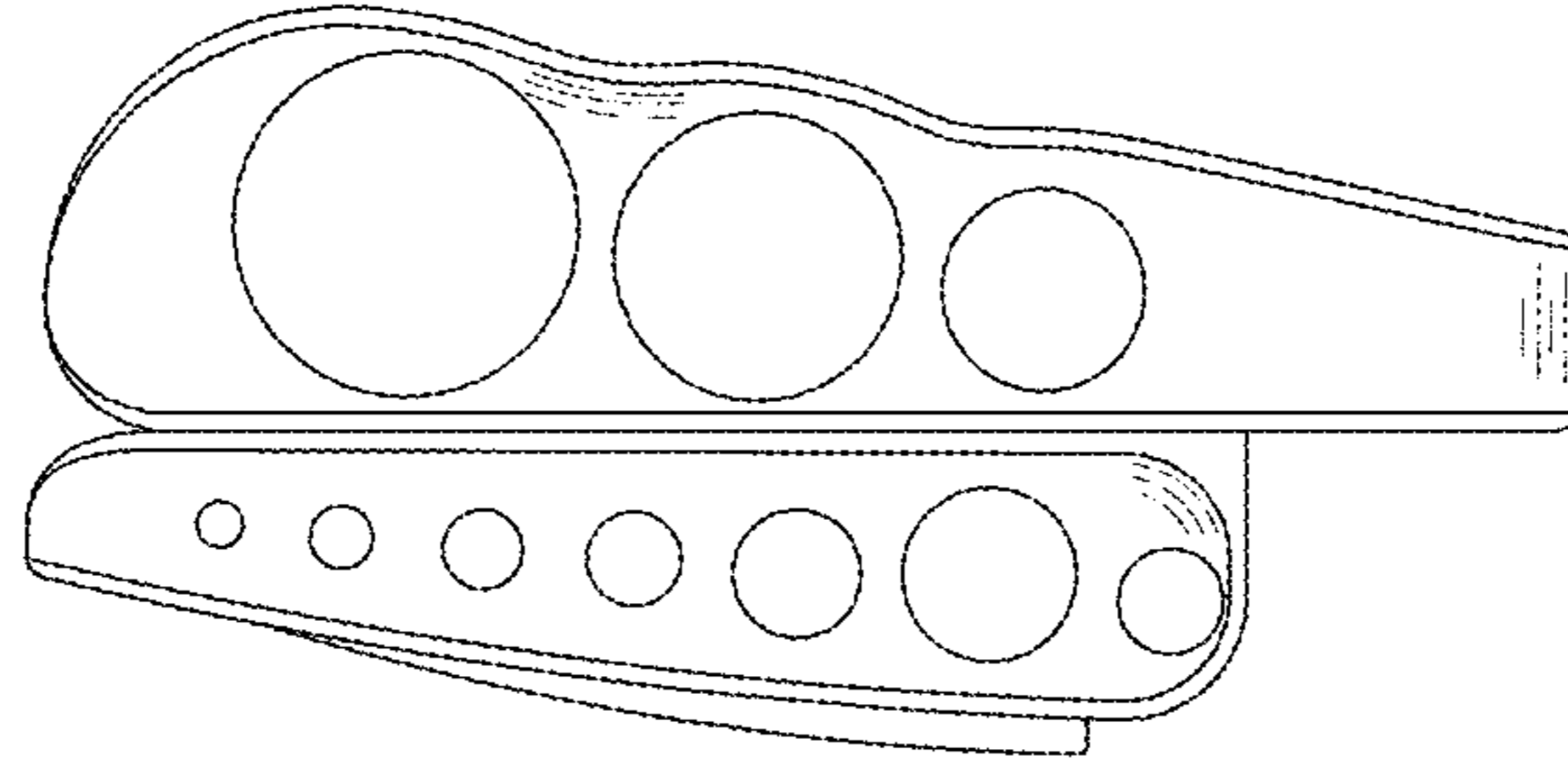


FIG. 6

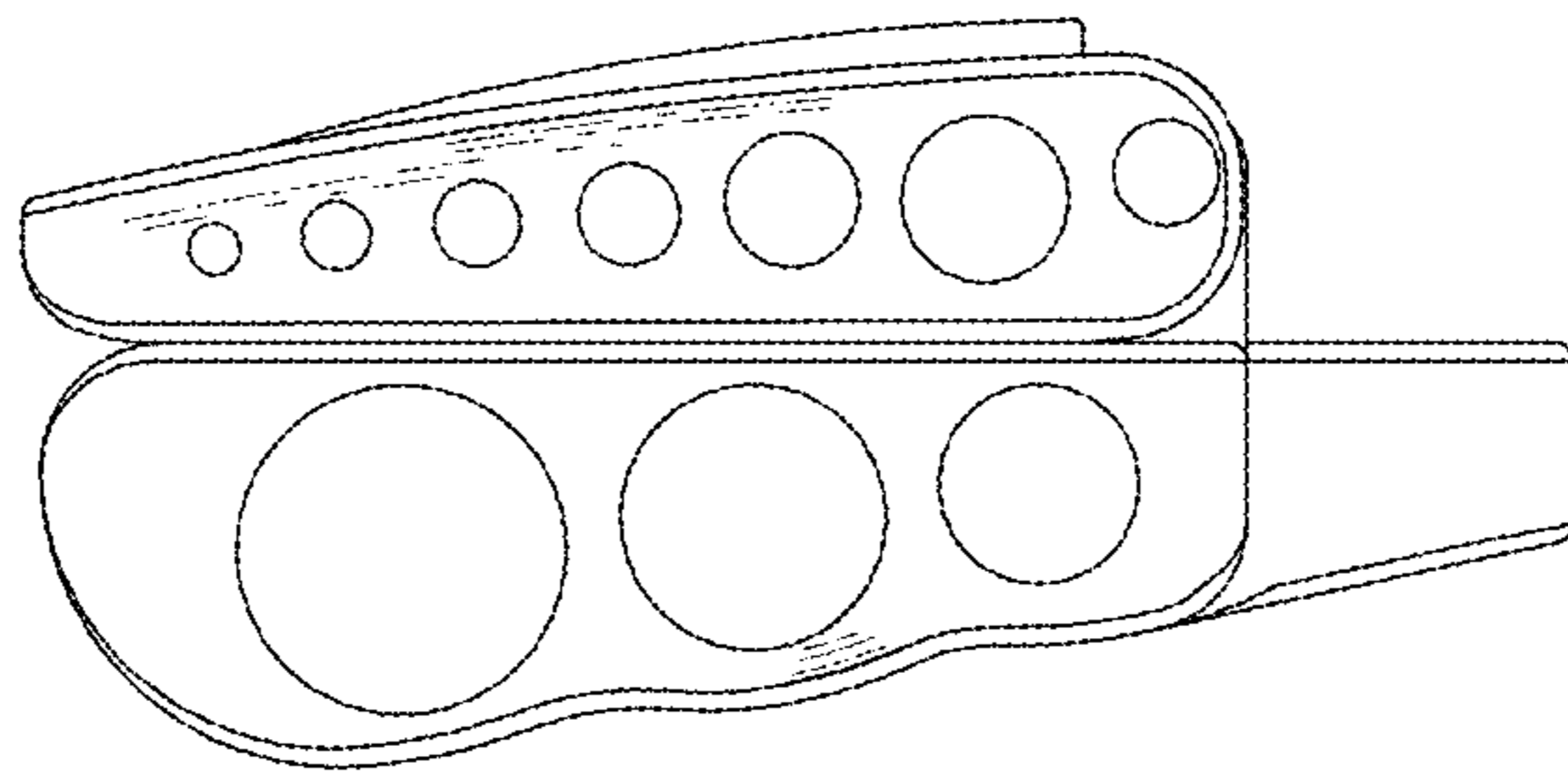


FIG. 7

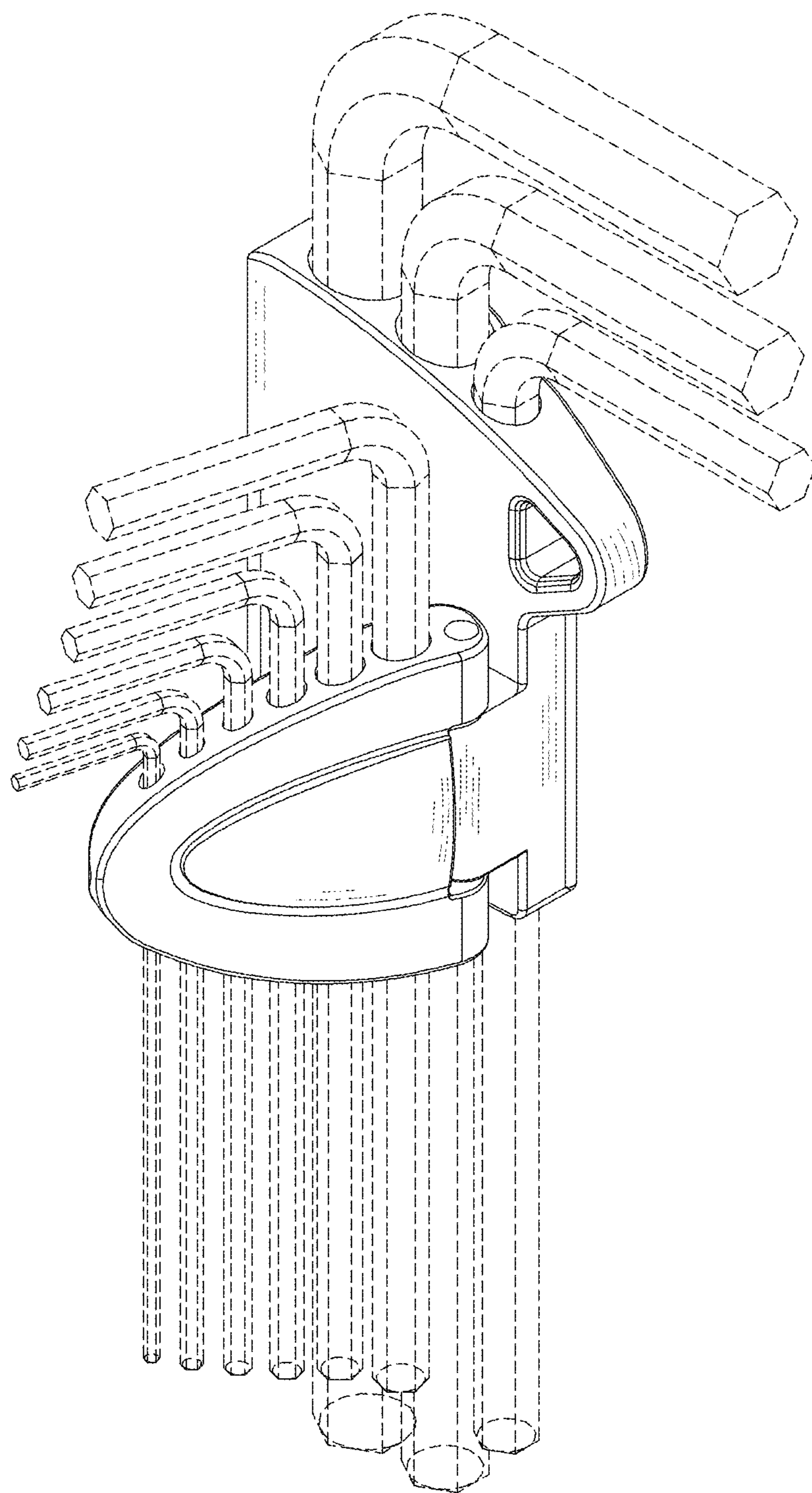


FIG. 8