



US00D731794S

(12) **United States Design Patent**  
**Hurst**

(10) **Patent No.:** **US D731,794 S**  
(45) **Date of Patent:** **\*\* Jun. 16, 2015**

- (54) **GATED THREE-SIDED STACKABLE BIN**
- (71) Applicant: **Richard Hurst**, Vero Beach, FL (US)
- (72) Inventor: **Richard Hurst**, Vero Beach, FL (US)
- (\*\*) Term: **14 Years**
- (21) Appl. No.: **29/497,772**
- (22) Filed: **Jul. 29, 2014**
- (51) **LOC (10) Cl.** ..... **03-01**
- (52) **U.S. Cl.**  
USPC ..... **D3/304**
- (58) **Field of Classification Search**  
USPC ..... D3/304, 315; D6/396, 432, 436, 449,  
D6/470-471, 476, 479, 492, 494, 509-511,  
D6/627; 206/775-776, 503-504, 509;  
220/600, 602, 608, 610, 662, 675  
See application file for complete search history.

D425,128 S *	5/2000	Conley et al. ....	D19/90
D466,690 S *	12/2002	Walsh .....	D34/38
D467,732 S *	12/2002	Taylor et al. ....	D3/304
D487,347 S *	3/2004	Felsenthal .....	D3/305
D674,191 S *	1/2013	Sakaguchi .....	D3/315
D696,560 S *	12/2013	Song .....	D7/629
D711,936 S *	8/2014	Hynes .....	D15/89
D712,477 S *	9/2014	Stravitz .....	D19/90

\* cited by examiner

*Primary Examiner* — Kelley Donnelly

(74) *Attorney, Agent, or Firm* — Adam Douglas Stallard

(57) **CLAIM**

The ornamental design of a gated three-sided stackable bin, as shown and described.

**DESCRIPTION**

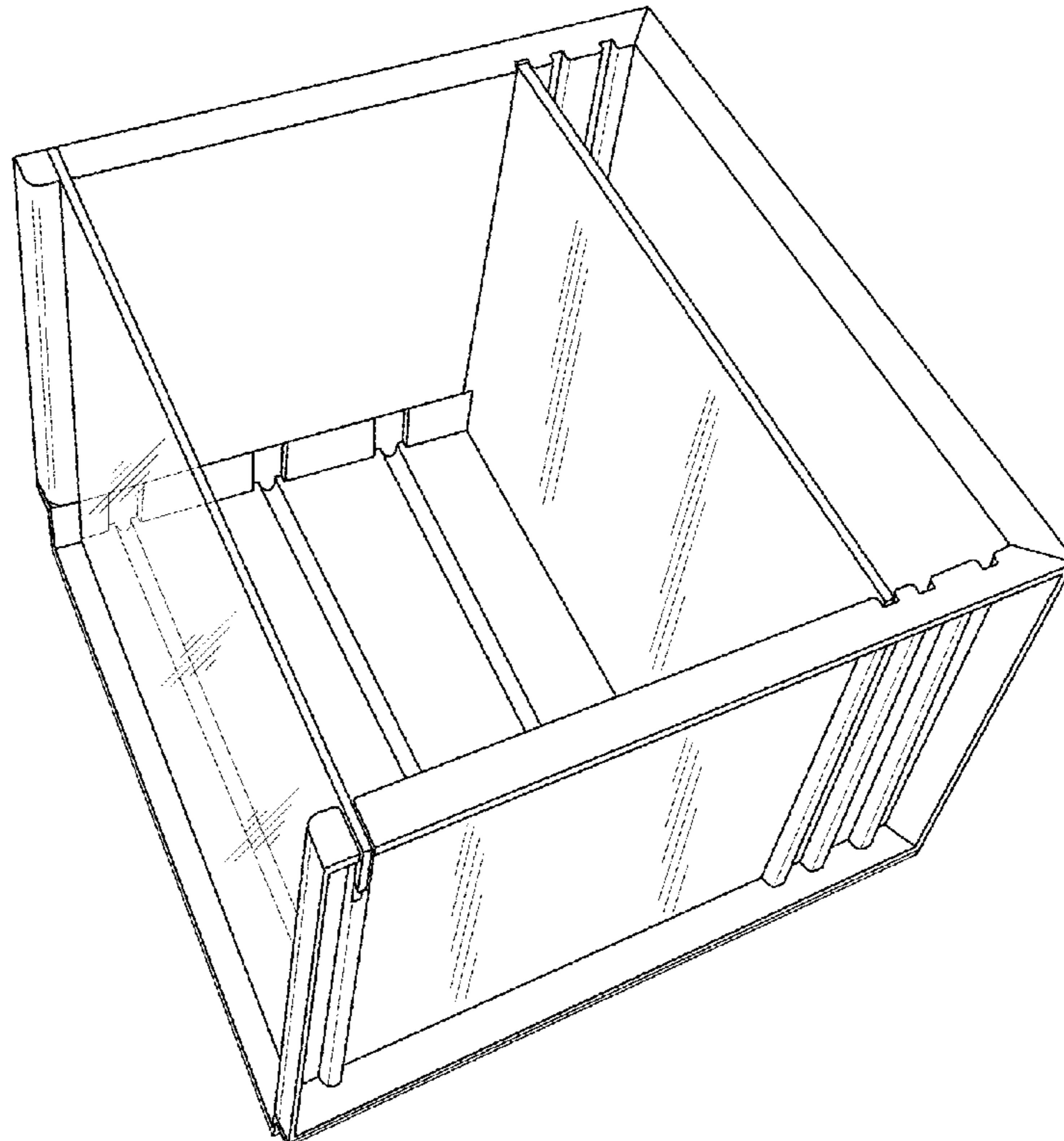
- FIG. 1 is a perspective view of the bin.
- FIG. 2 is a front view of the bin.
- FIG. 3 is a back view of the bin.
- FIG. 4 is a top view of the bin.
- FIG. 5 is a bottom view of the bin.
- FIG. 6 is a left side view of the bin; and,
- FIG. 7 is a right side view of the bin.

**1 Claim, 3 Drawing Sheets**

(56) **References Cited**

U.S. PATENT DOCUMENTS

4,848,930 A *	7/1989	Williams et al. ....	383/104
D330,328 S *	10/1992	DiSesa, Jr. ....	D3/294
D358,523 S *	5/1995	Weisburn et al. ....	D6/629
D360,898 S *	8/1995	Huerto et al. ....	D19/90



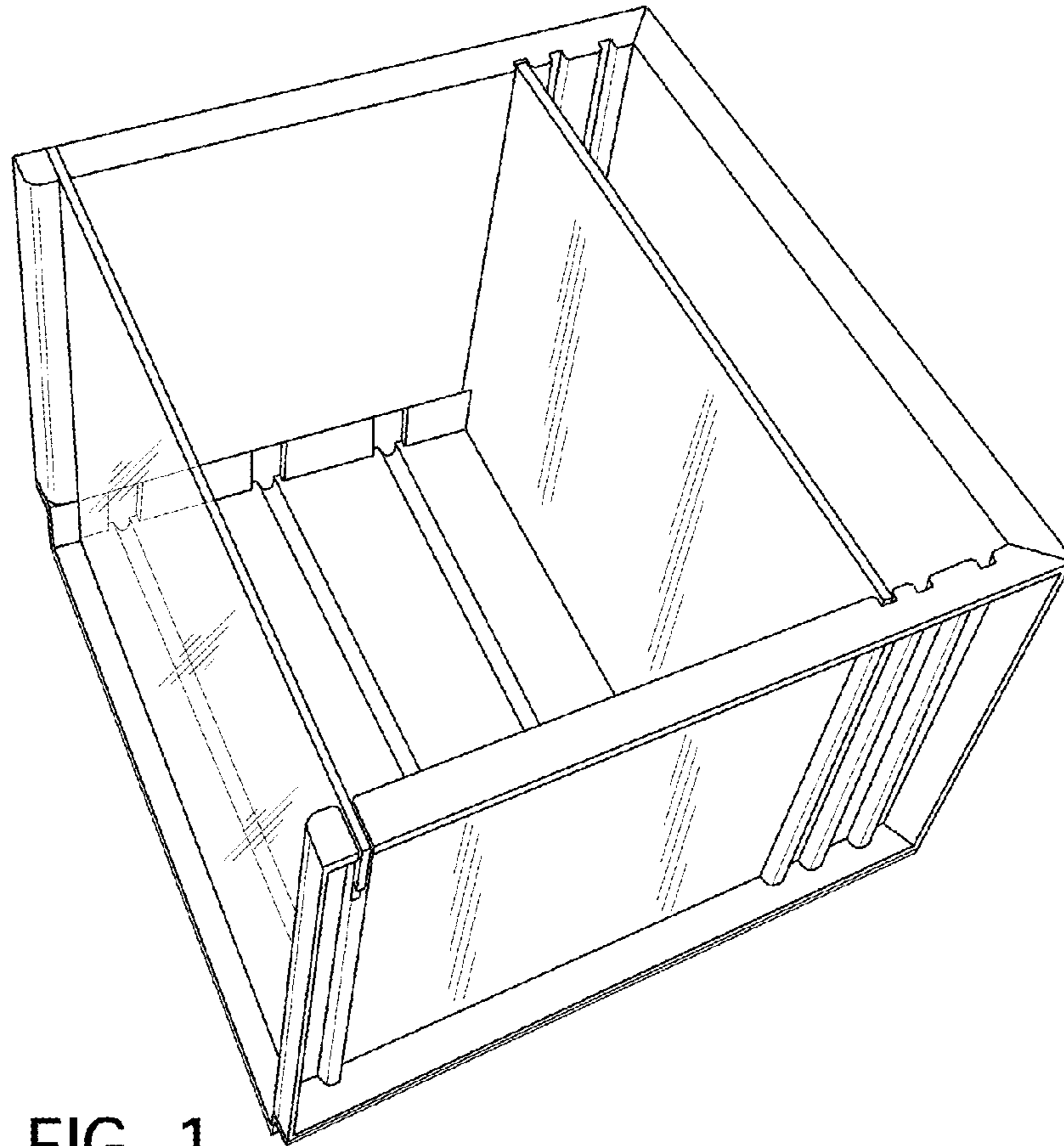


FIG. 1

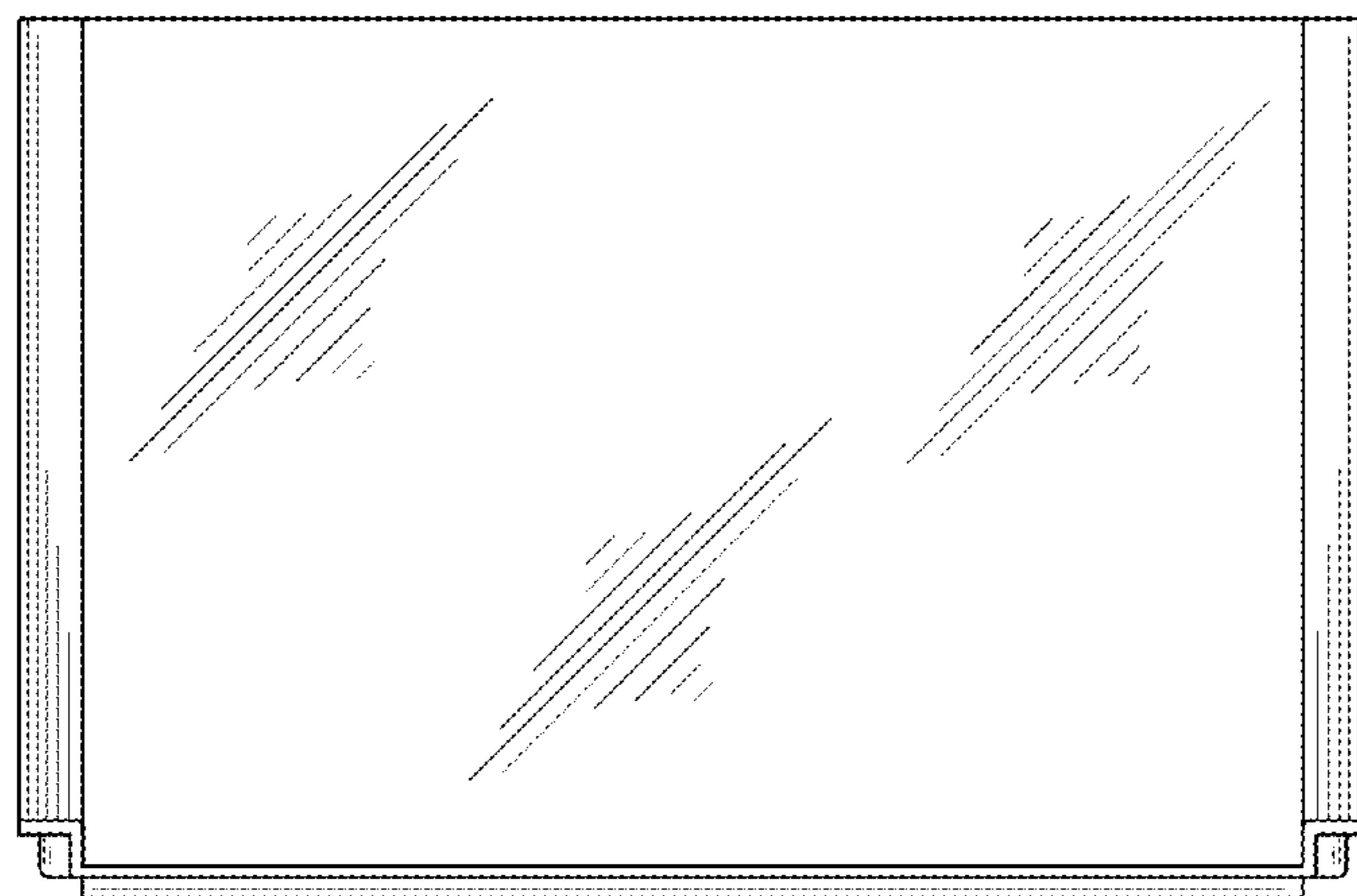


FIG. 2

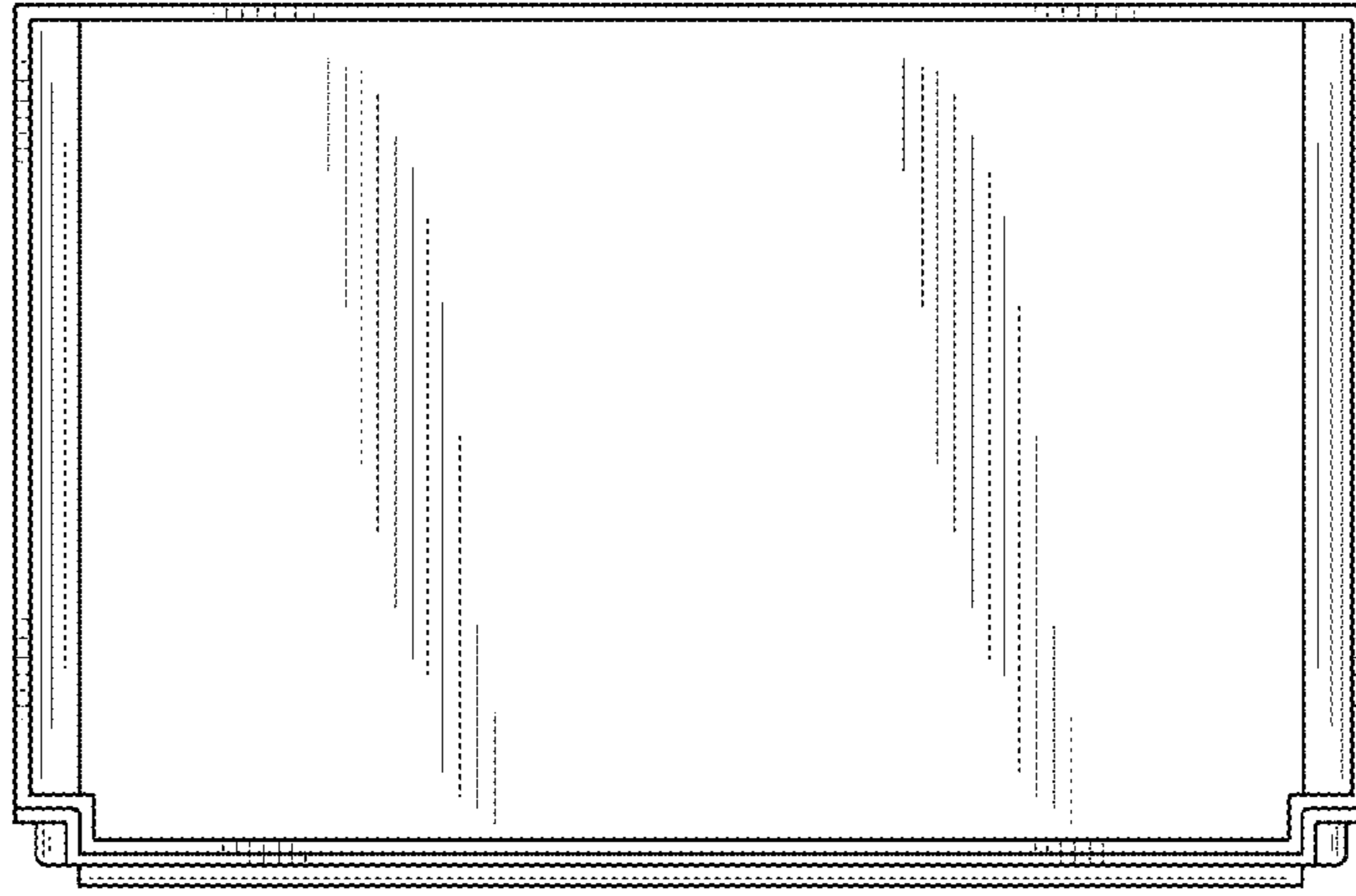


FIG. 3

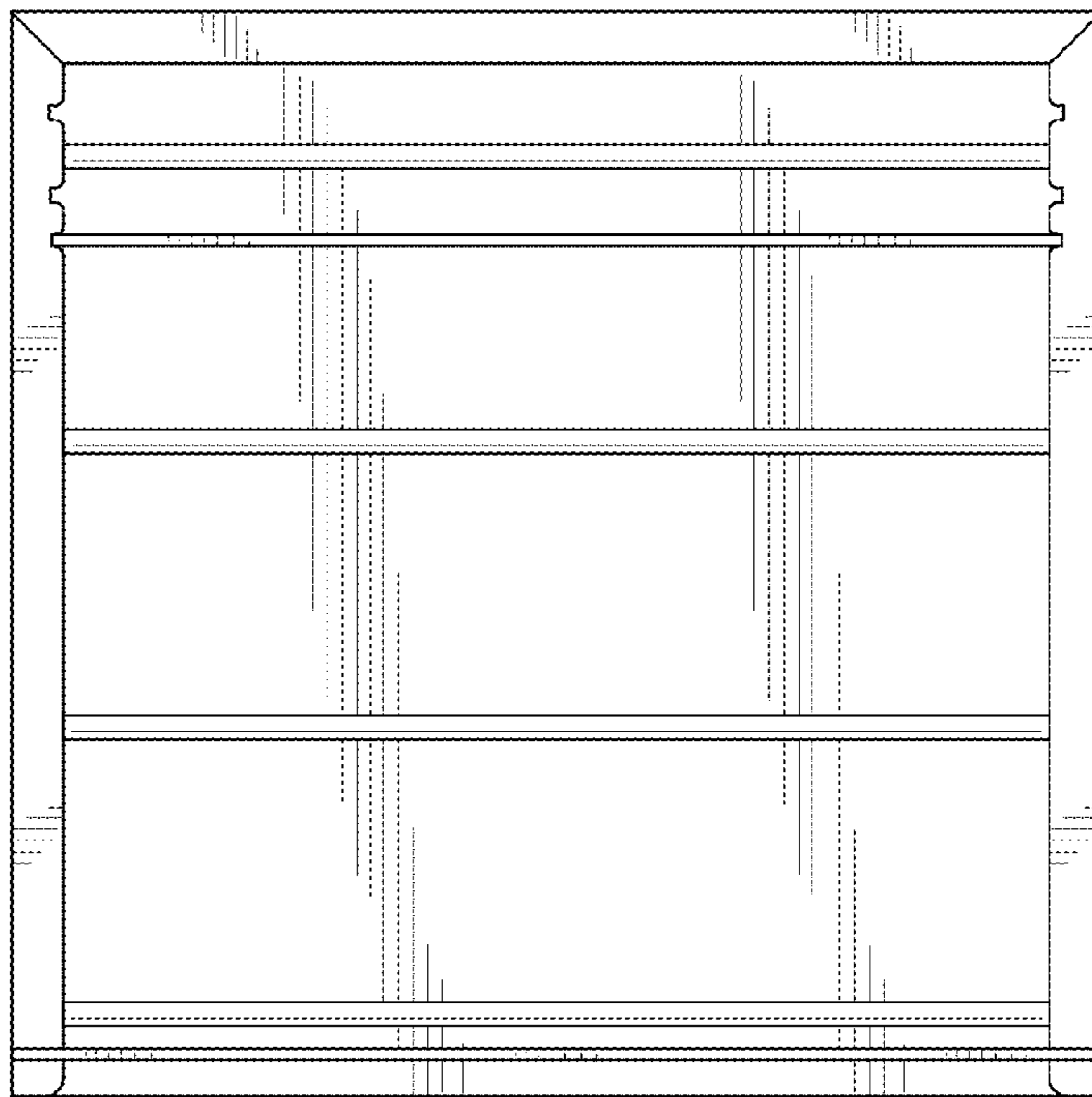


FIG. 4

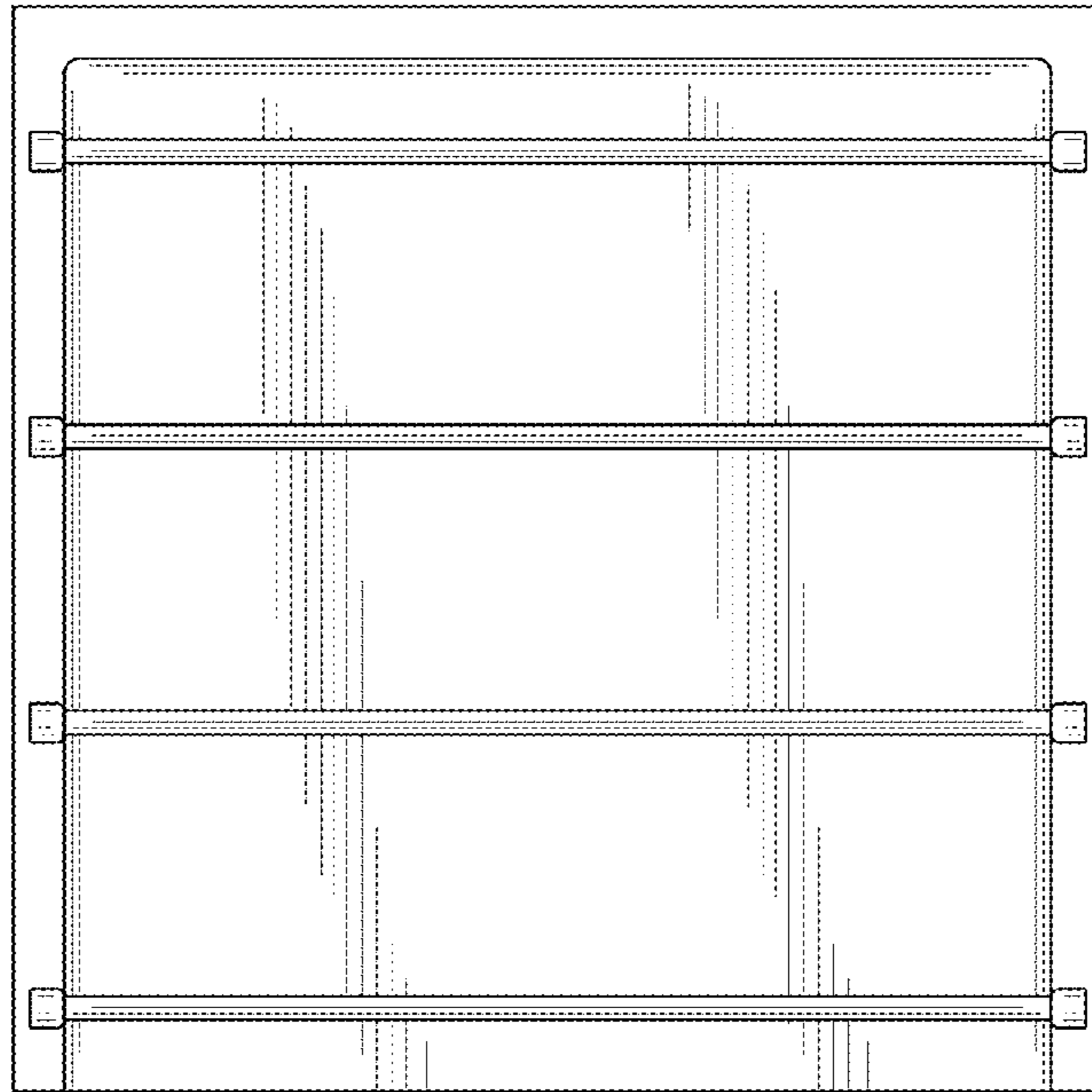


FIG. 5

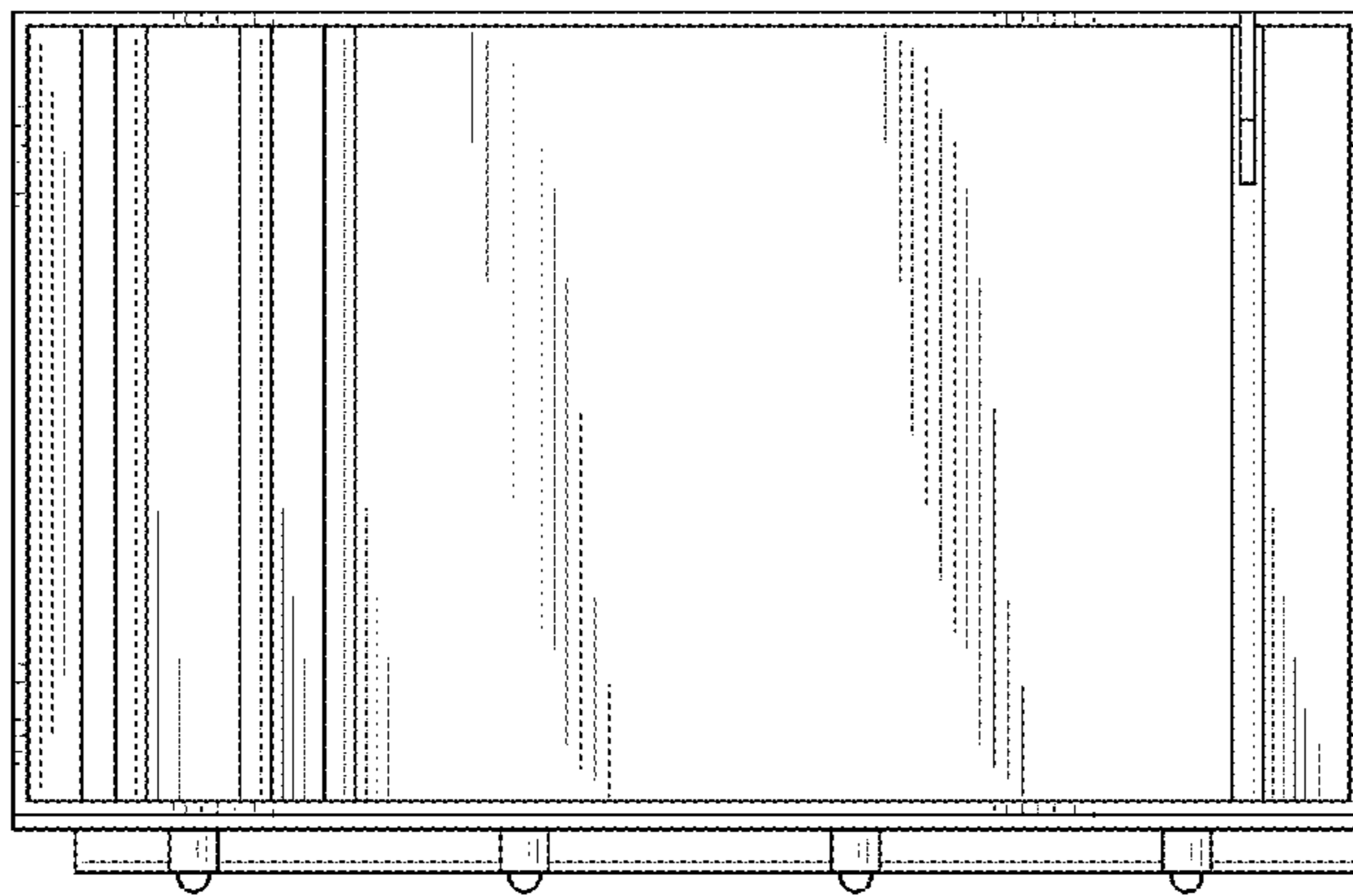


FIG. 6

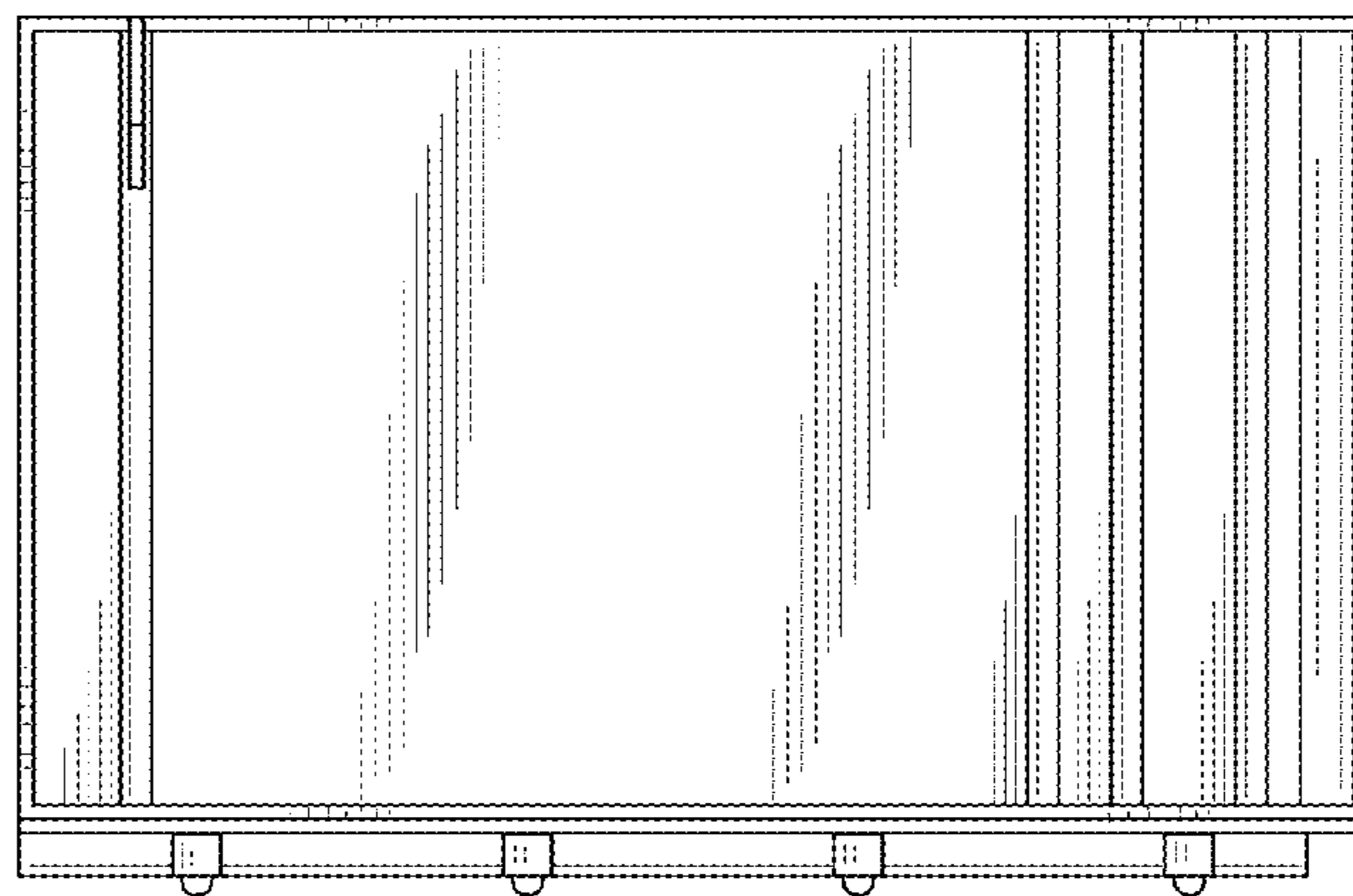


FIG. 7