



US00D731790S

(12) **United States Design Patent**
Yabe

(10) **Patent No.:** **US D731,790 S**
(45) **Date of Patent:** **** Jun. 16, 2015**

(54) **TOOL CASE**

(71) Applicant: **FURUKAWA ELECTRIC CO., LTD.**,
Tokyo (JP)

(72) Inventor: **Fumihiko Yabe**, Tokyo (JP)

(73) Assignee: **FURUKAWA ELECTRIC CO., LTD.**,
Tokyo (JP)

(**) Term: **14 Years**

(21) Appl. No.: **29/495,044**

(22) Filed: **Jun. 26, 2014**

(30) **Foreign Application Priority Data**

Dec. 26, 2013 (JP) 2013-030652

(51) **LOC (10) Cl.** **03-01**

(52) **U.S. Cl.**
USPC **D3/282; D3/264; D3/295**

(58) **Field of Classification Search**
USPC D3/280–288, 291–297, 900–905, 272,
D3/273, 276, 302; D9/415, 424, 426;
220/523–528, 23.4, 324, 326; 190/110,
190/111, 112; 206/372–379, 349, 508
See application file for complete search history.

(56) **References Cited**

U.S. PATENT DOCUMENTS

D194,339 S * 1/1963 Harty, Jr. D3/282
D351,727 S * 10/1994 Tarozzi D3/276
D372,796 S * 8/1996 Ferris D3/282

D409,836 S * 5/1999 Brown et al. D3/282
5,950,834 A * 9/1999 Woodnorth et al. 206/541
D429,975 S * 8/2000 Marshall-Rees et al. D7/709
D548,968 S * 8/2007 Brown D3/294
D561,993 S * 2/2008 Bum D3/282
D621,615 S * 8/2010 Stern D3/282
D668,455 S * 10/2012 Chang D3/282

* cited by examiner

Primary Examiner — Jennifer Rivard

Assistant Examiner — April Rivas

(74) *Attorney, Agent, or Firm* — Oblon, McClelland, Maier
& Neustadt, L.L.P.

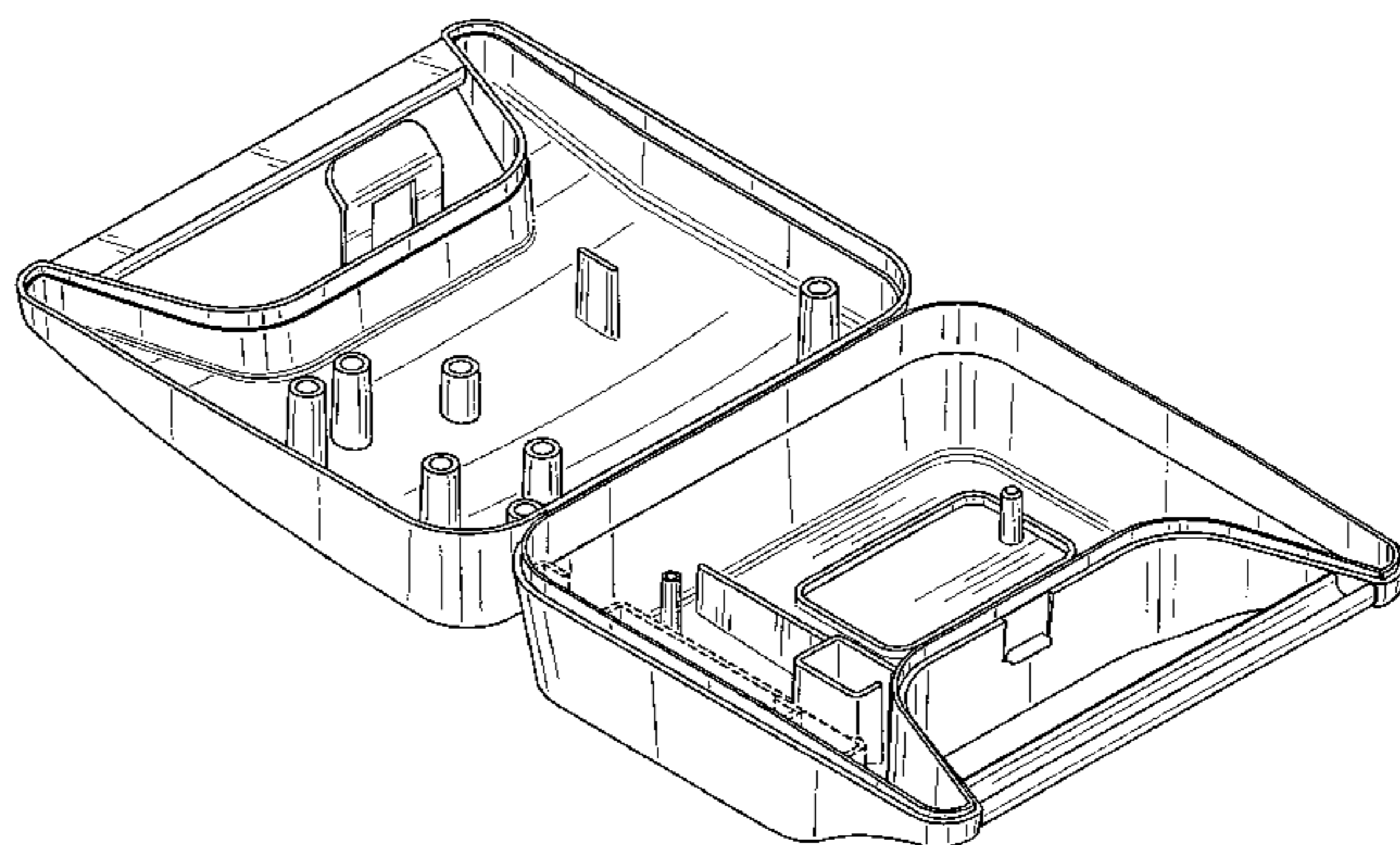
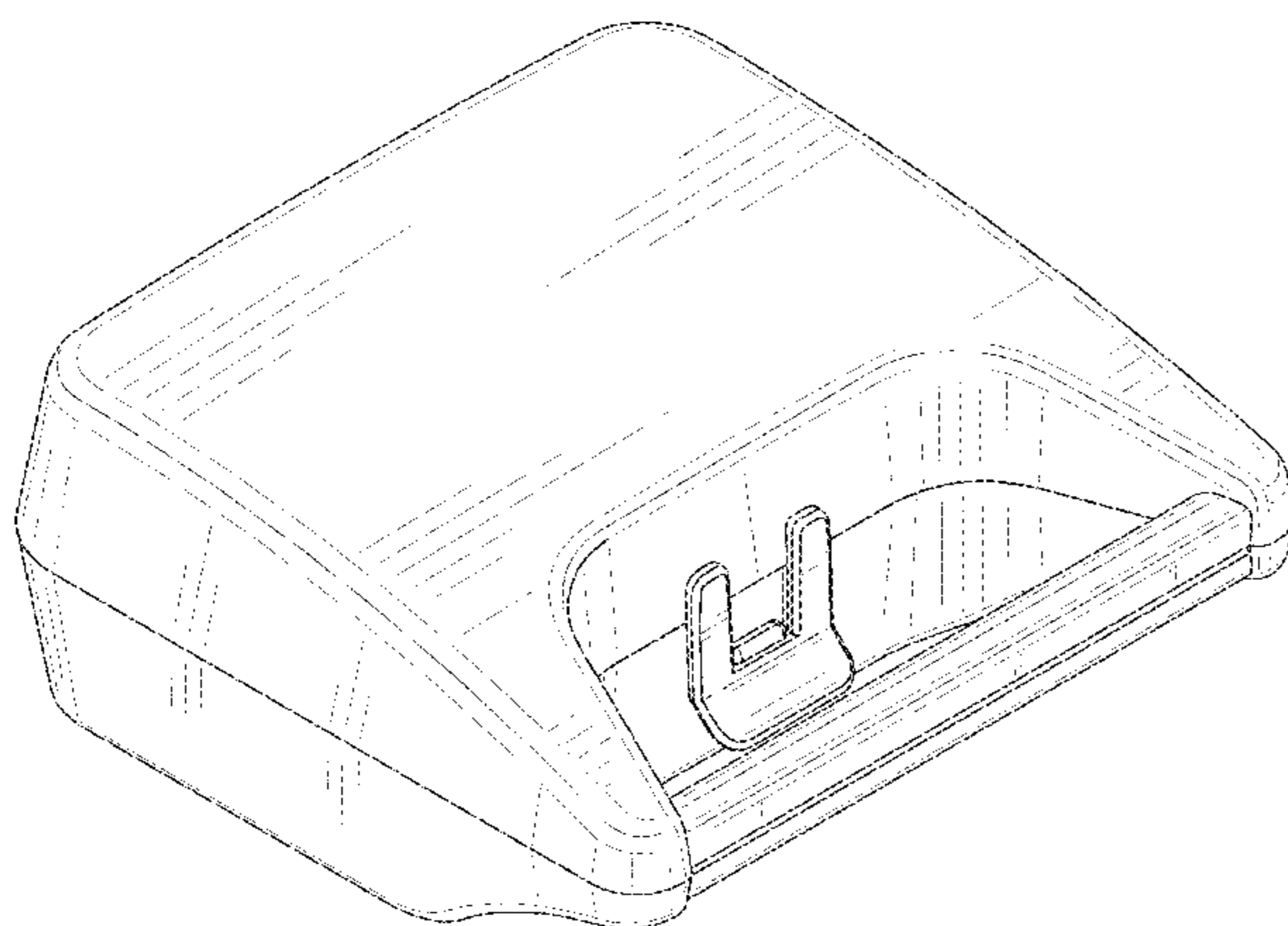
(57) **CLAIM**

The ornamental design for a tool case, as shown and described.

DESCRIPTION

FIG. 1 is a front, top, and left perspective view of a tool case; FIG. 2 is a top view thereof; FIG. 3 is a bottom view thereof; FIG. 4 is a front view thereof; FIG. 5 is a rear view thereof; FIG. 6 is a right side view thereof; FIG. 7 is a left side view thereof; FIG. 8 is a cross-section view thereof taken from line 8-8 of FIG. 2; FIG. 9 is a front, top, and left perspective view thereof in an open state; and, FIG. 10 is top view thereof in the open state. The broken lines illustrate portions of the tool case and form no part of the claimed design.

1 Claim, 8 Drawing Sheets



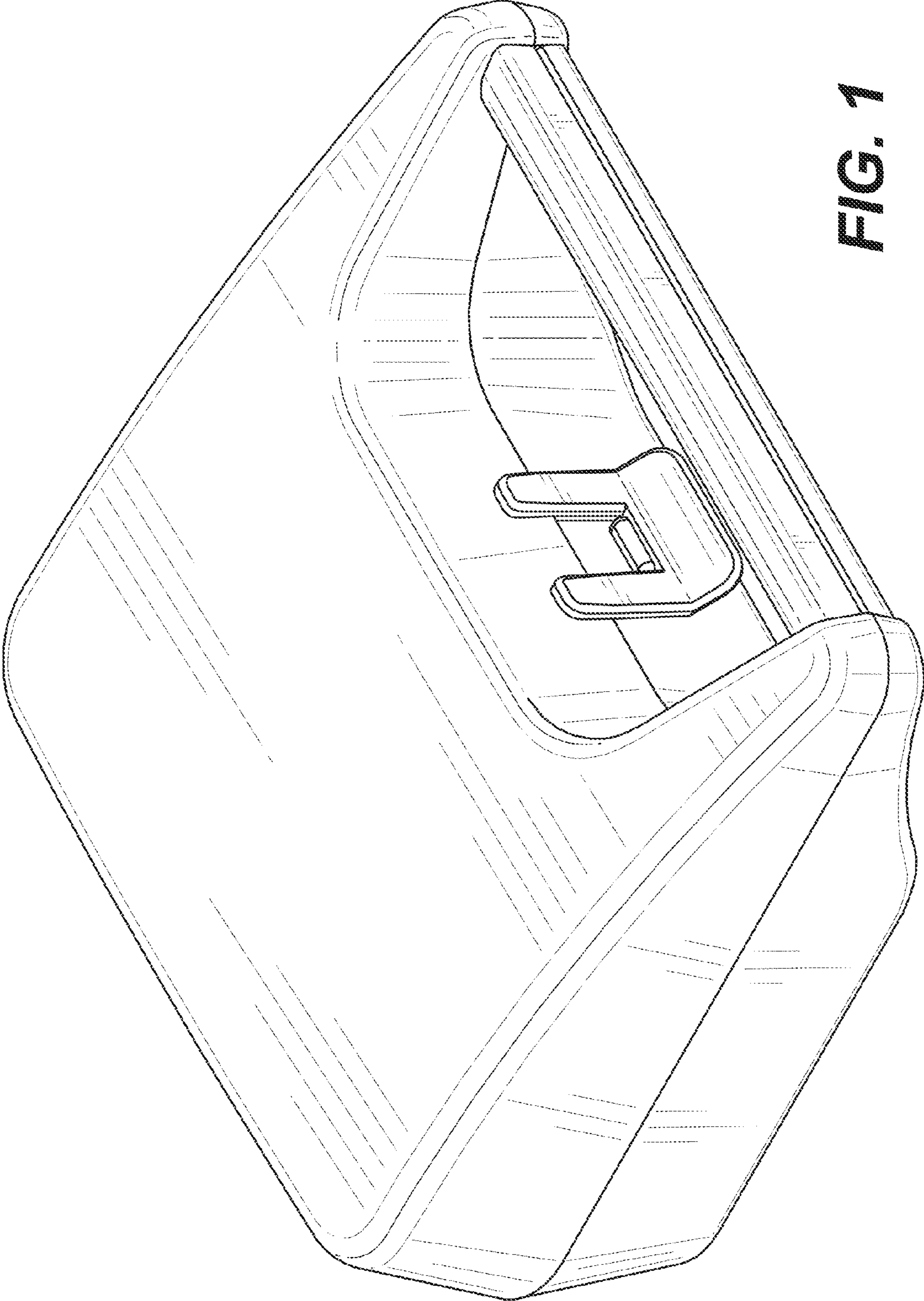


FIG. 1



FIG. 2

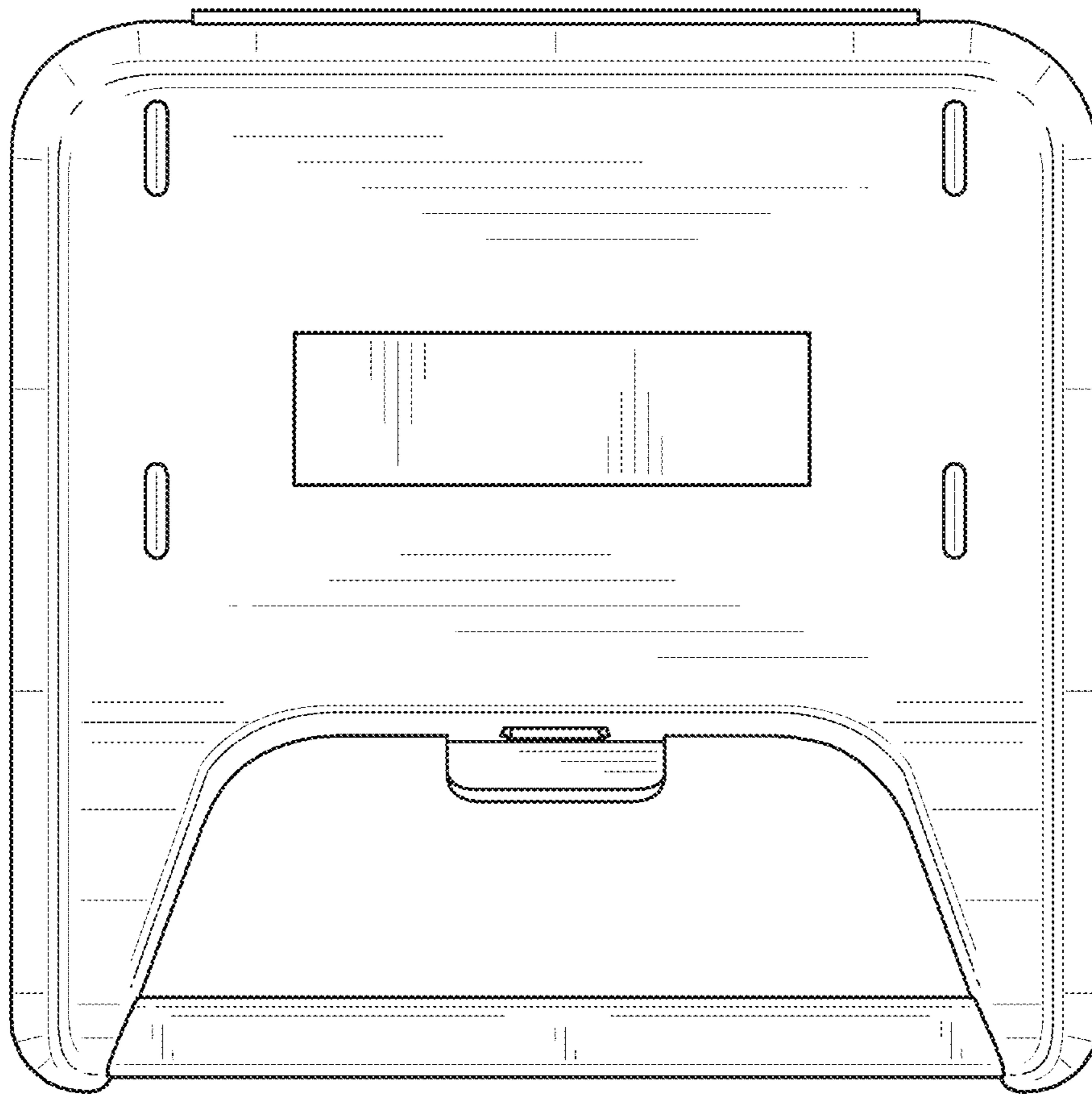


FIG. 3

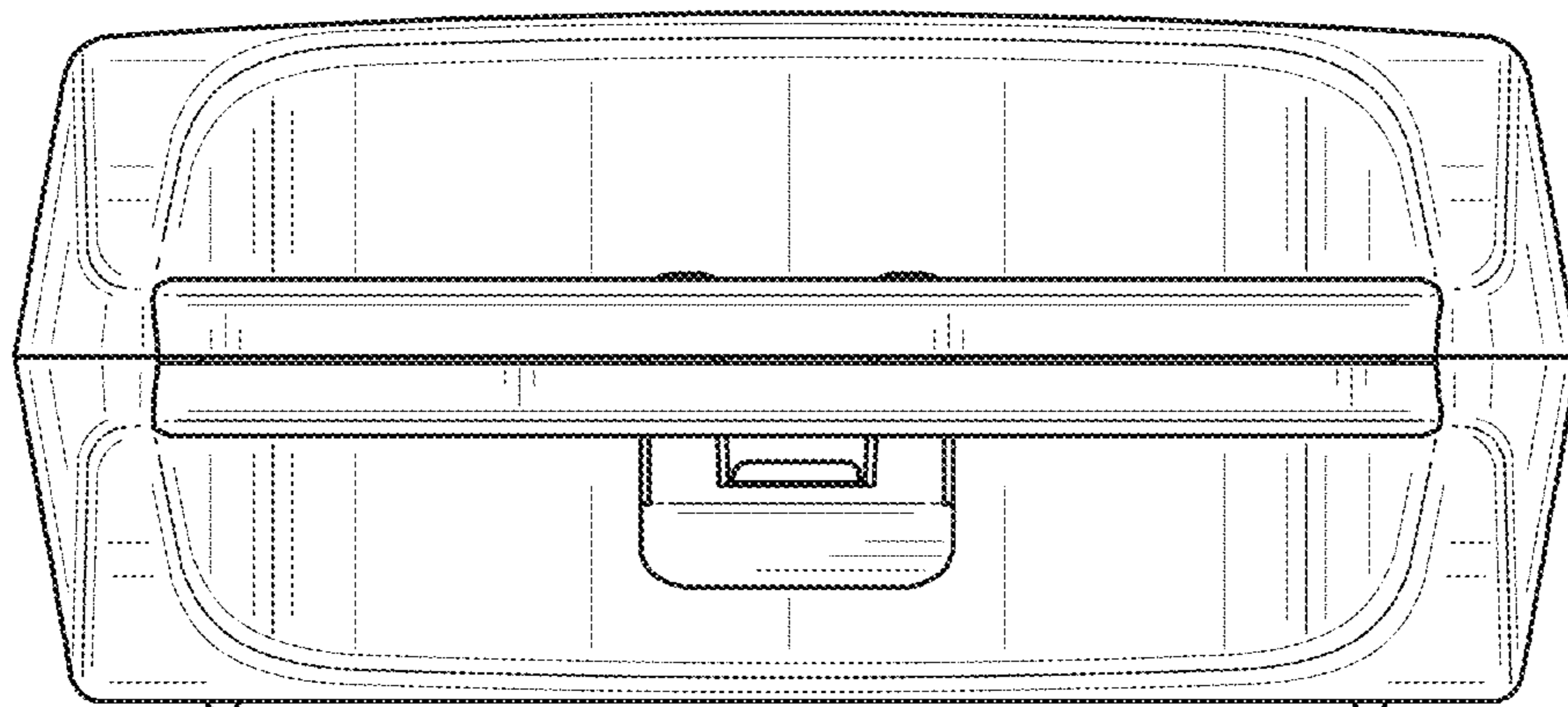


FIG. 4

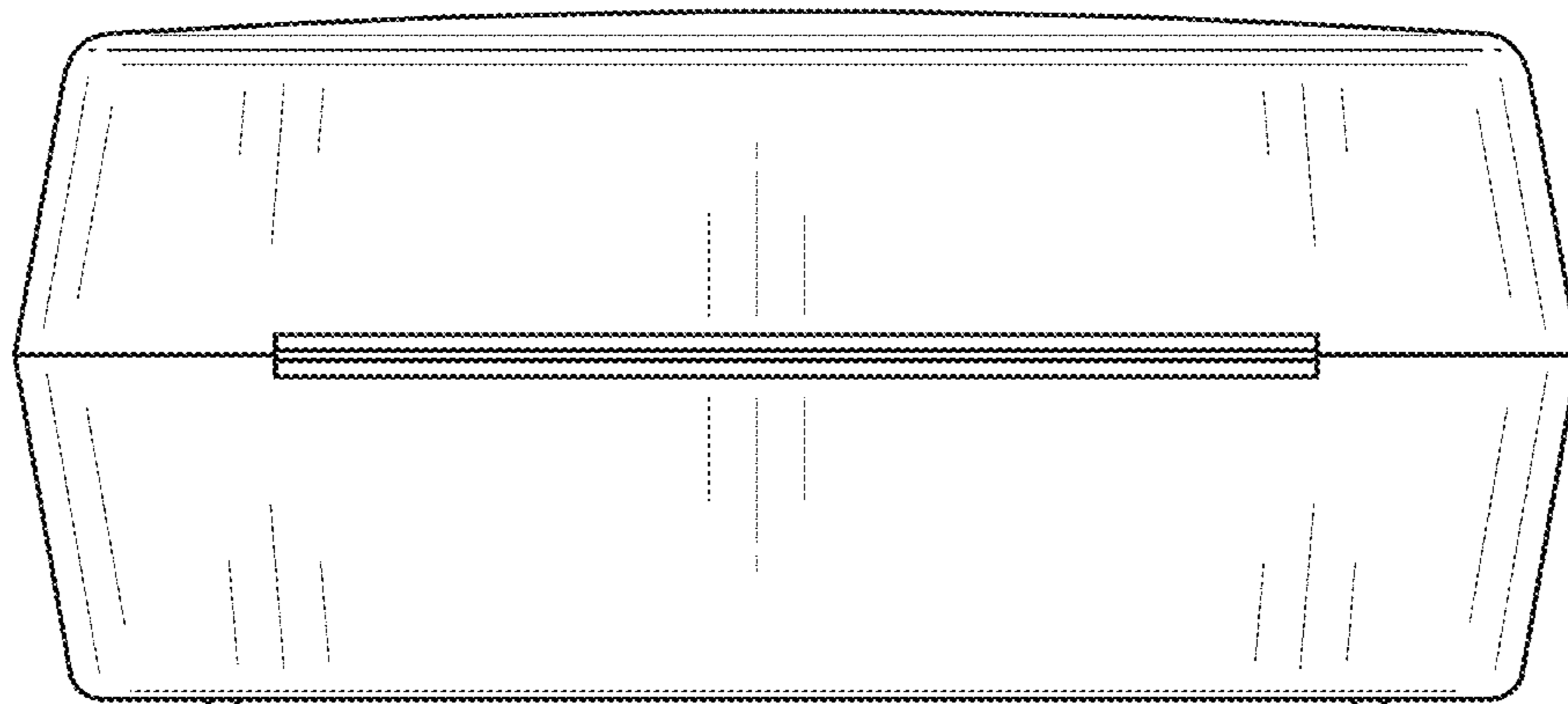


FIG. 5

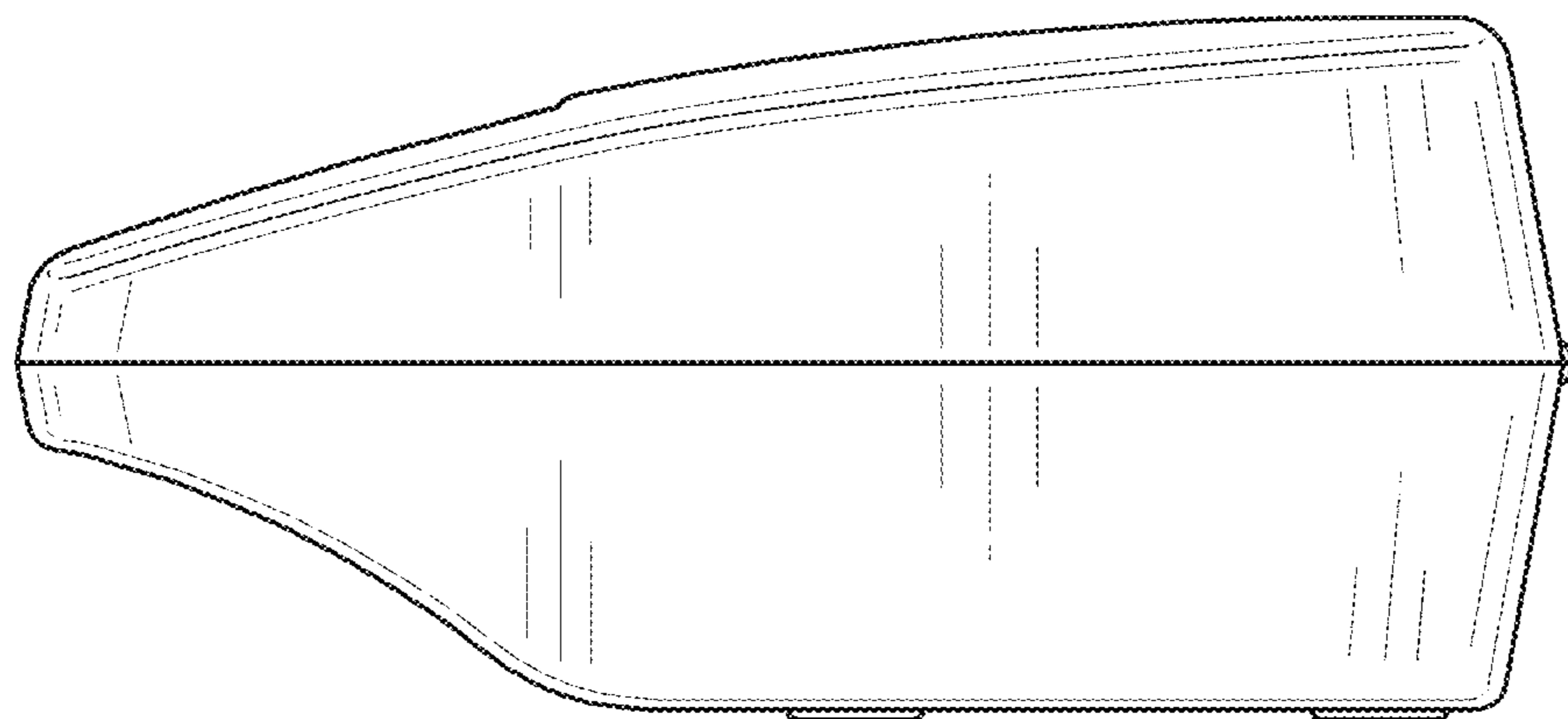


FIG. 6

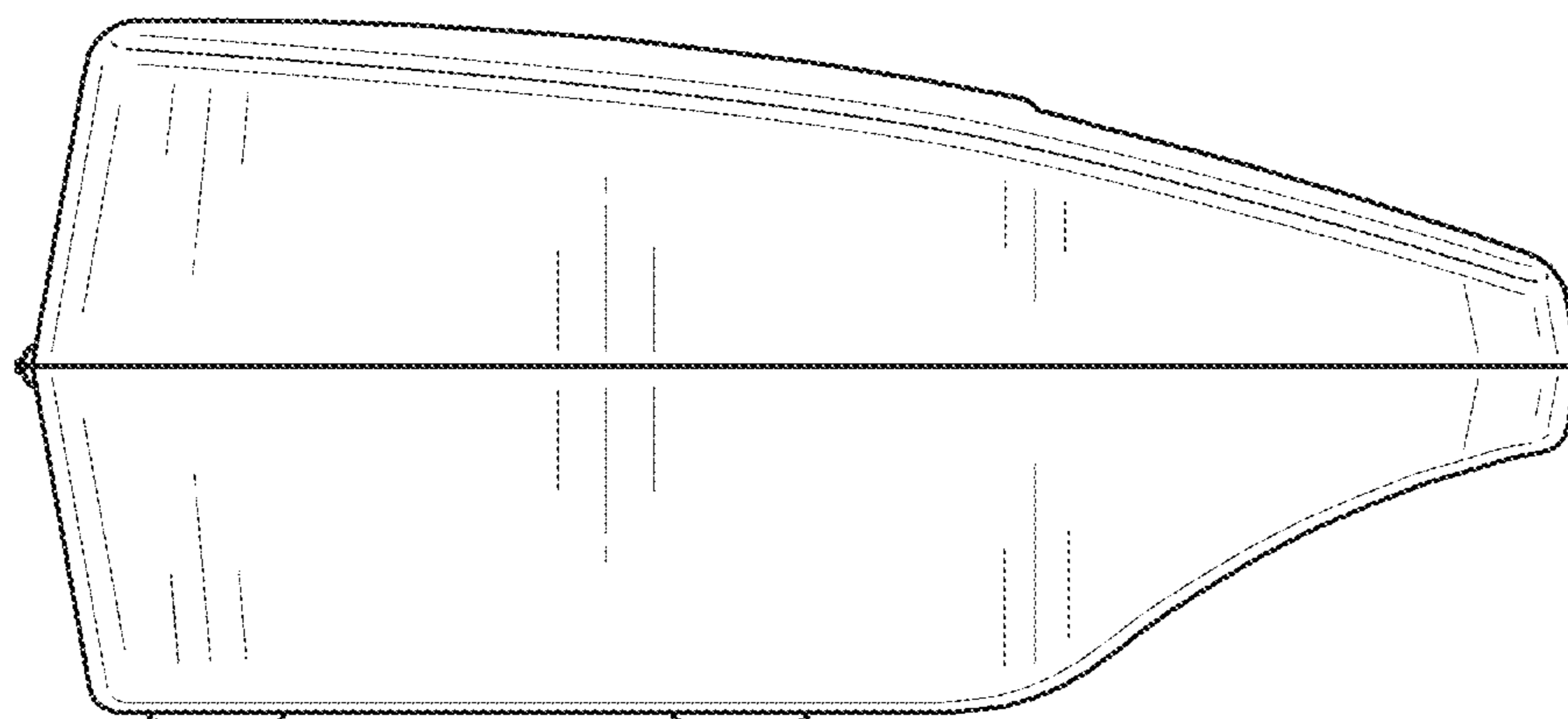


FIG. 7

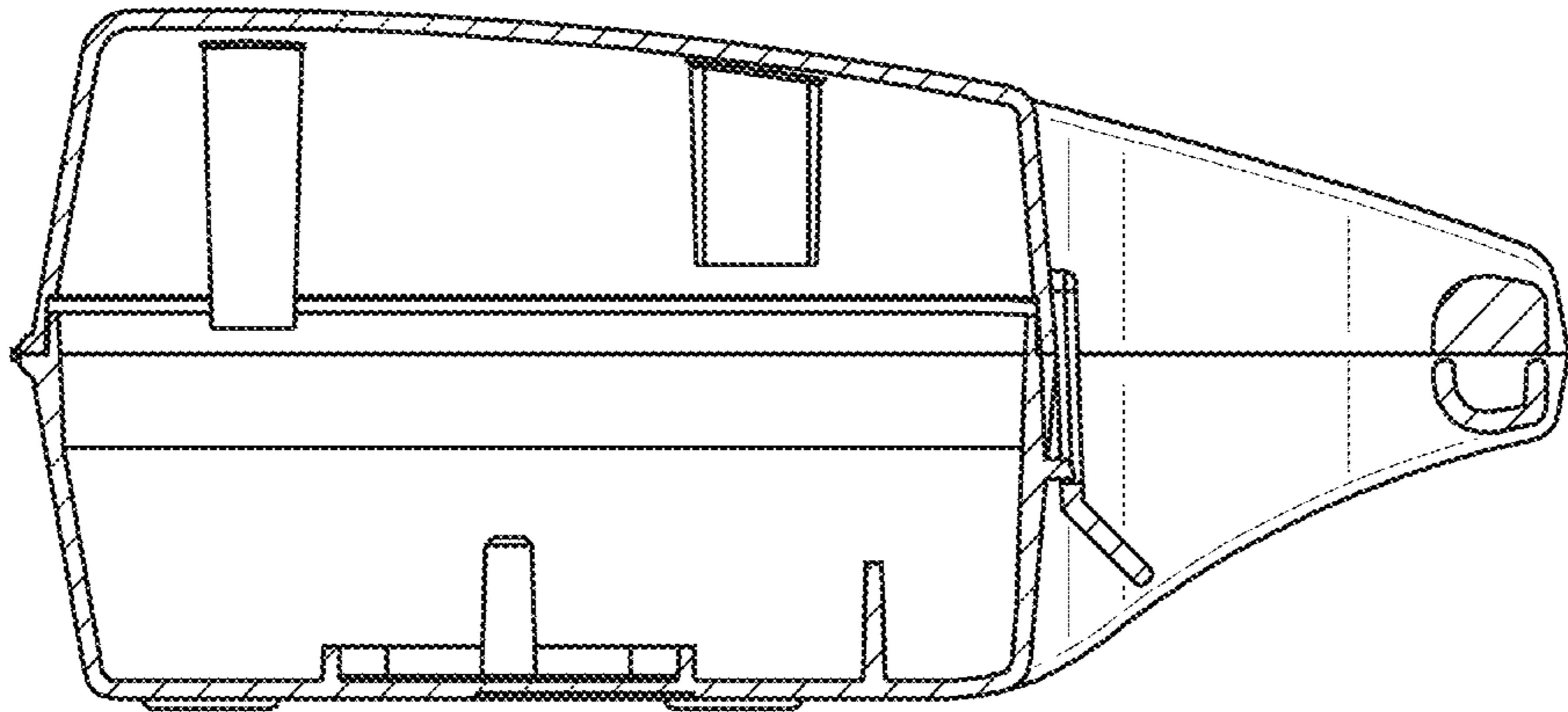


FIG. 8

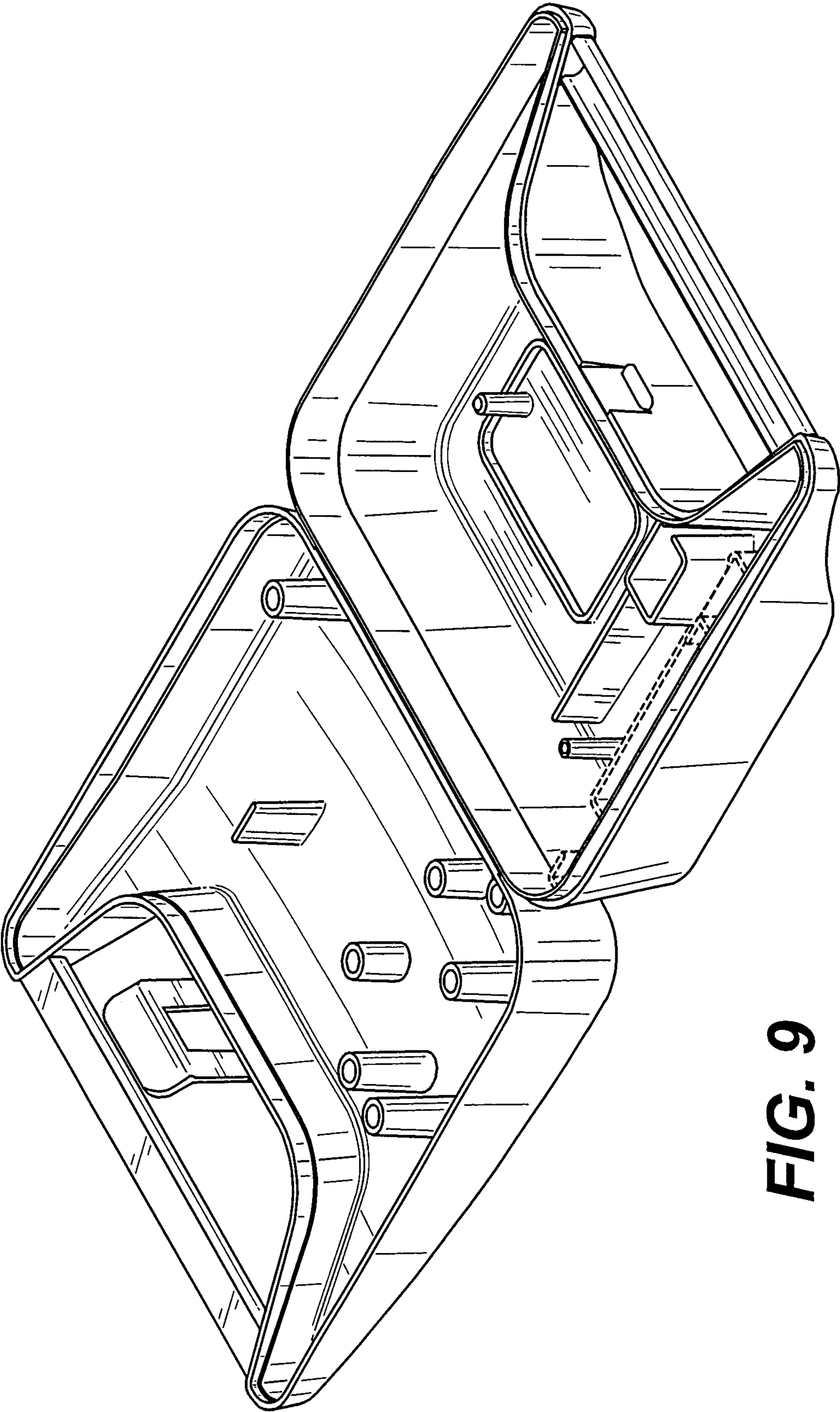


FIG. 9

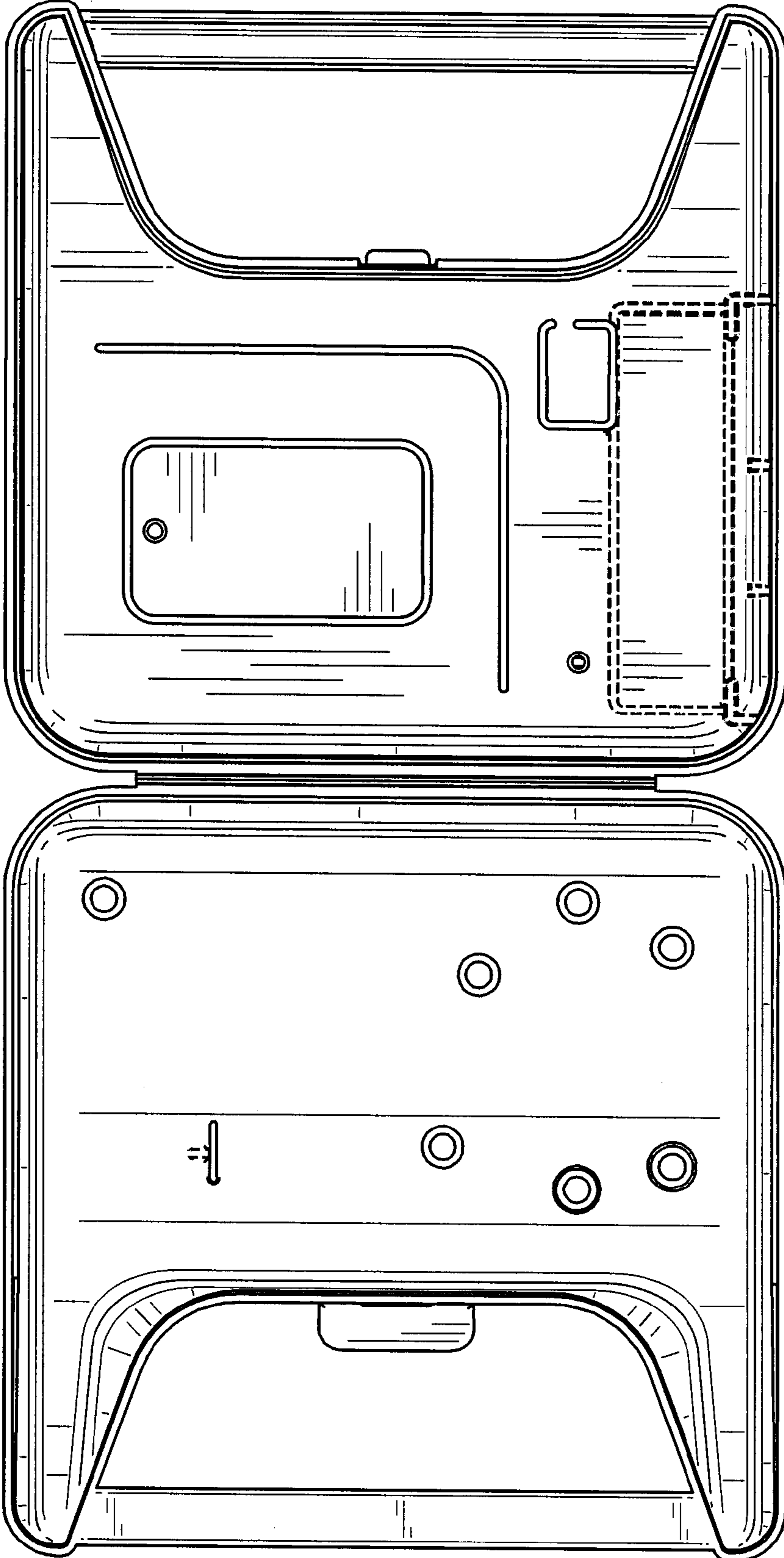


FIG. 10