



US00D731789S

(12) **United States Design Patent**  
**Quinnan**

(10) **Patent No.:** **US D731,789 S**  
(45) **Date of Patent:** **\*\* Jun. 16, 2015**

- (54) **COMPACT TACTICAL CASE**
- (71) Applicant: **Timothy Quinnan**, Broomfield, CO (US)
- (72) Inventor: **Timothy Quinnan**, Broomfield, CO (US)
- (73) Assignee: **The Allen Company, Inc.**, Broomfield, CO (US)
- (\*\*) Term: **14 Years**
- (21) Appl. No.: **29/464,025**
- (22) Filed: **Aug. 12, 2013**
- (51) **LOC (10) Cl.** ..... **03-01**
- (52) **U.S. Cl.**  
USPC ..... **D3/262**
- (58) **Field of Classification Search**  
None  
See application file for complete search history.

6,634,530	B1 *	10/2003	Black	.....	224/401
D486,637	S *	2/2004	Sauey et al.	.....	D3/262
6,722,496	B2	4/2004	Ganert		
D520,235	S *	5/2006	Blaschke	.....	D3/262
7,063,737	B2	6/2006	Tilby et al.		
D528,790	S *	9/2006	Sides et al.	.....	D3/262
D528,791	S *	9/2006	Sides et al.	.....	D3/262
7,434,683	B1	10/2008	Harper et al.		
7,546,920	B1	6/2009	Horn et al.		
7,905,350	B2	3/2011	Wood et al.		

\* cited by examiner

*Primary Examiner* — Holly Baynham  
(74) *Attorney, Agent, or Firm* — Boyd D. Cox

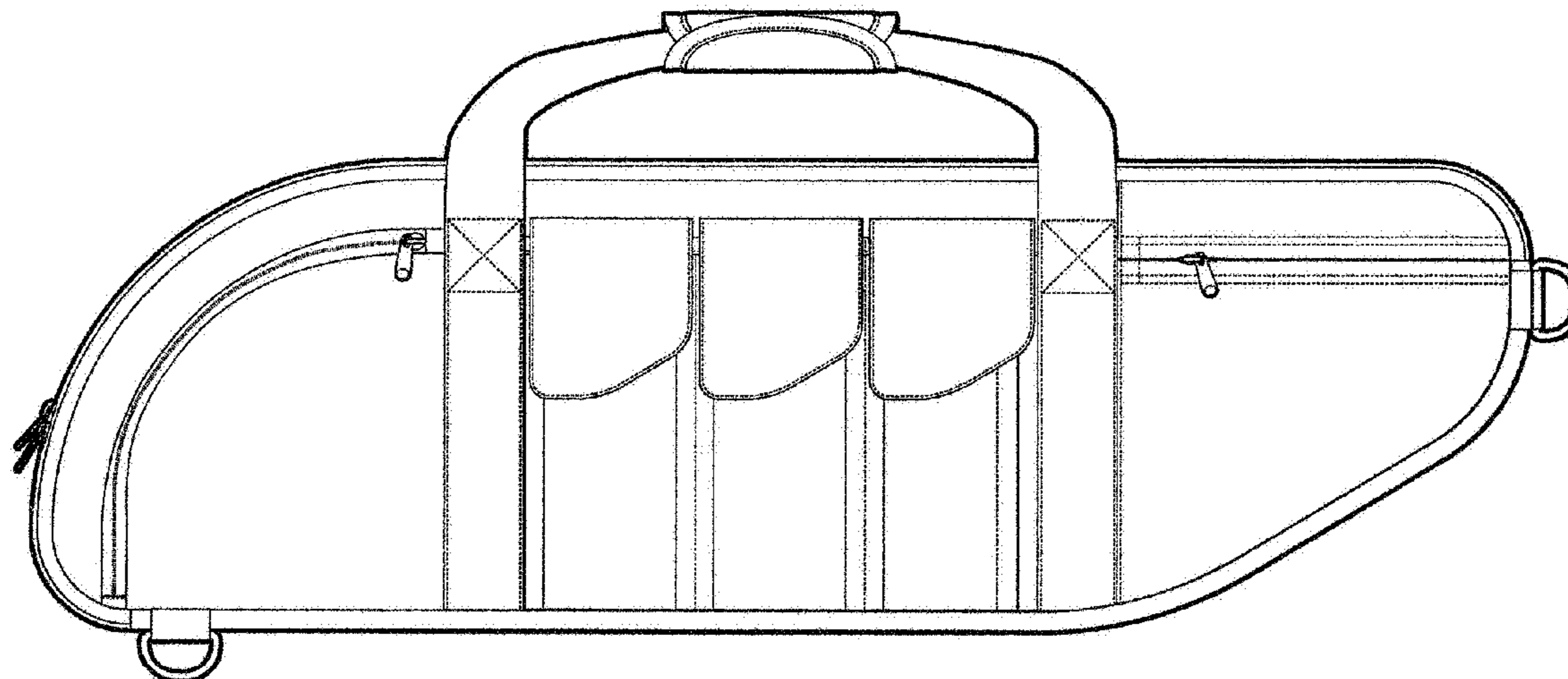
(57) **CLAIM**  
The ornamental design of a compact tactical case, as shown.

**DESCRIPTION**

FIG. 1 is a front elevation of the compact tactical case of e present invention;  
FIG. 2 is a rear elevation of the compact tactical case of FIG. 1;  
FIG. 3 is a right side elevation of the compact tactical case of FIG. 1;  
FIG. 4 is a left side elevation of the compact tactical case of FIG. 1;  
FIG. 5 is a top plan view of the compact tactical case of FIG. 1; and,  
FIG. 6 is a bottom plan view of the compact tactical case of FIG. 1.

**1 Claim, 5 Drawing Sheets**

- (56) **References Cited**  
U.S. PATENT DOCUMENTS
- D347,322 S \* 5/1994 Fiore ..... D3/262
- D358,255 S \* 5/1995 Sharp et al. .... D3/262
- 5,669,495 A 9/1997 West
- D448,560 S 10/2001 Kolpin
- D448,561 S 10/2001 Kolpin
- D448,562 S \* 10/2001 Kolpin ..... D3/262



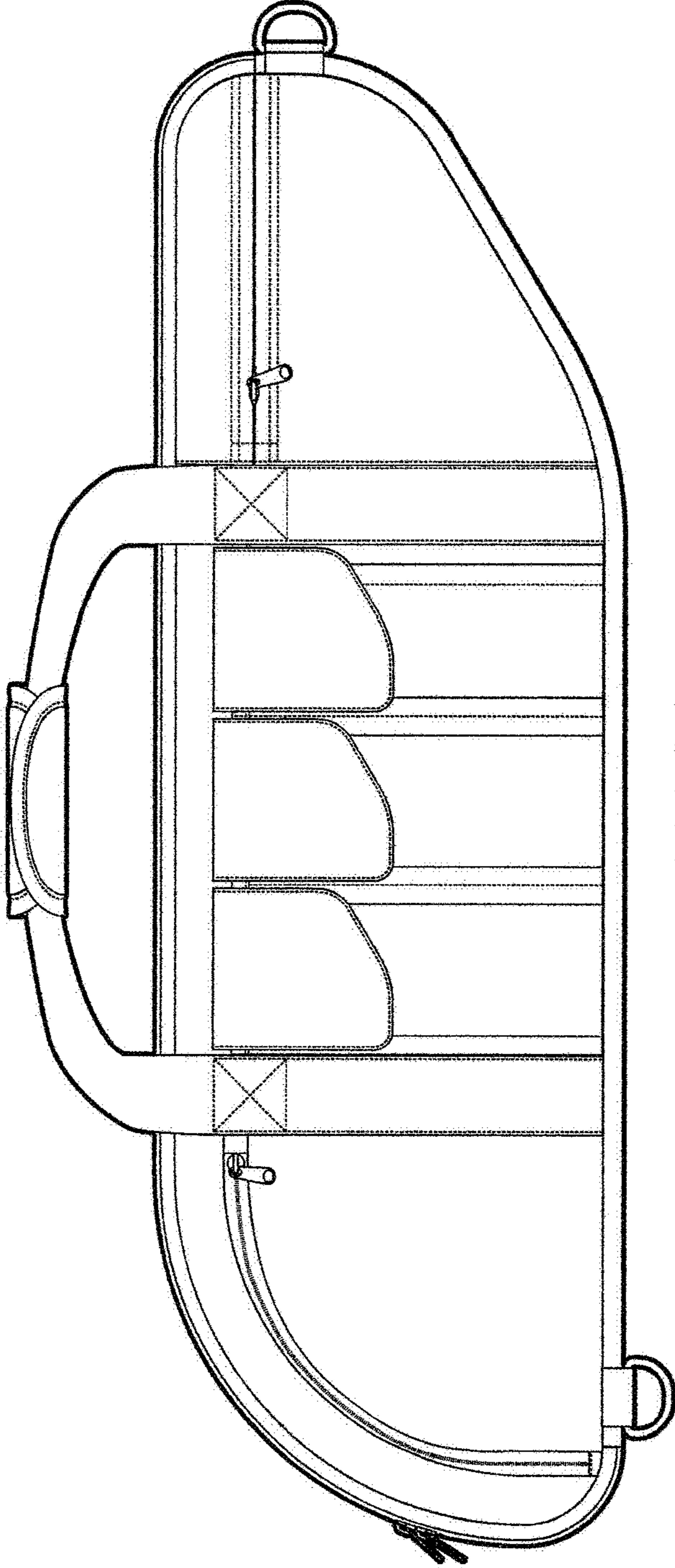


FIGURE 1

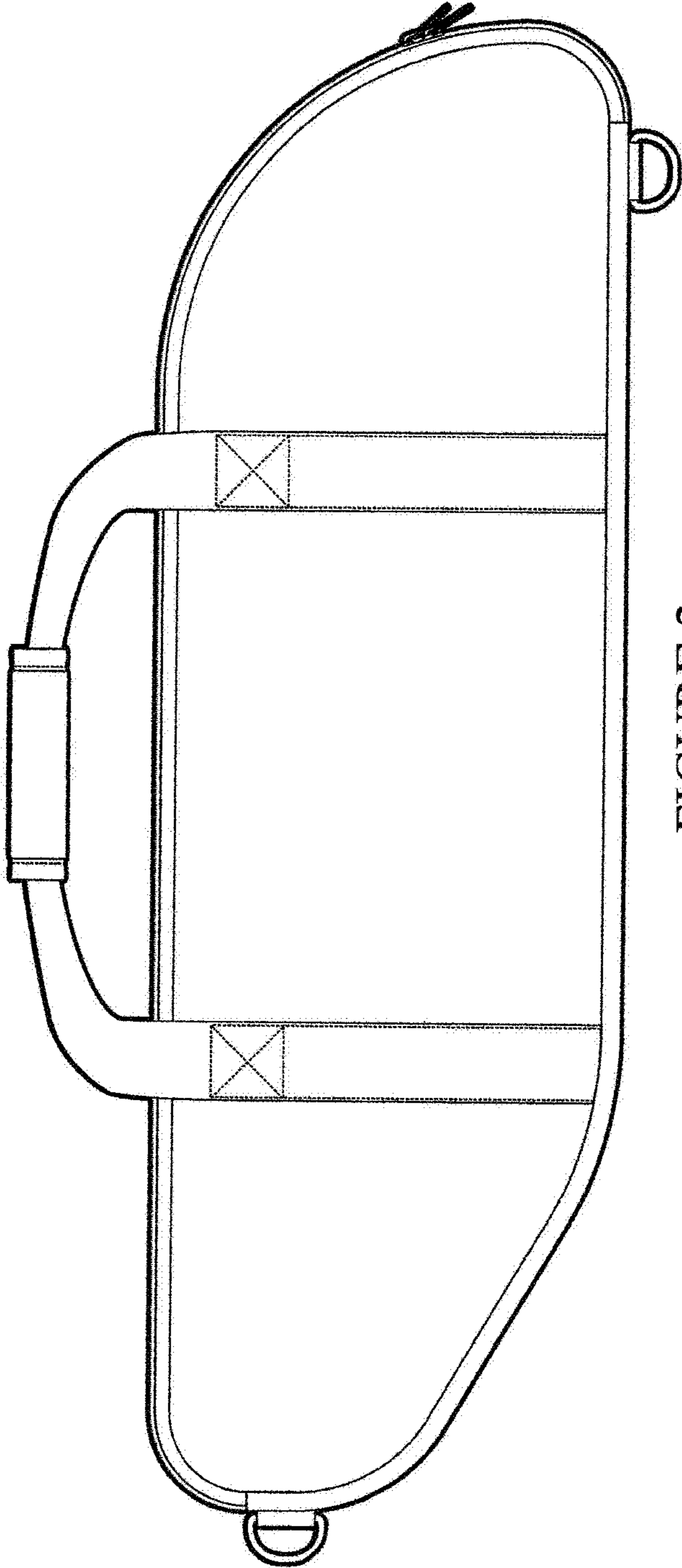


FIGURE 2

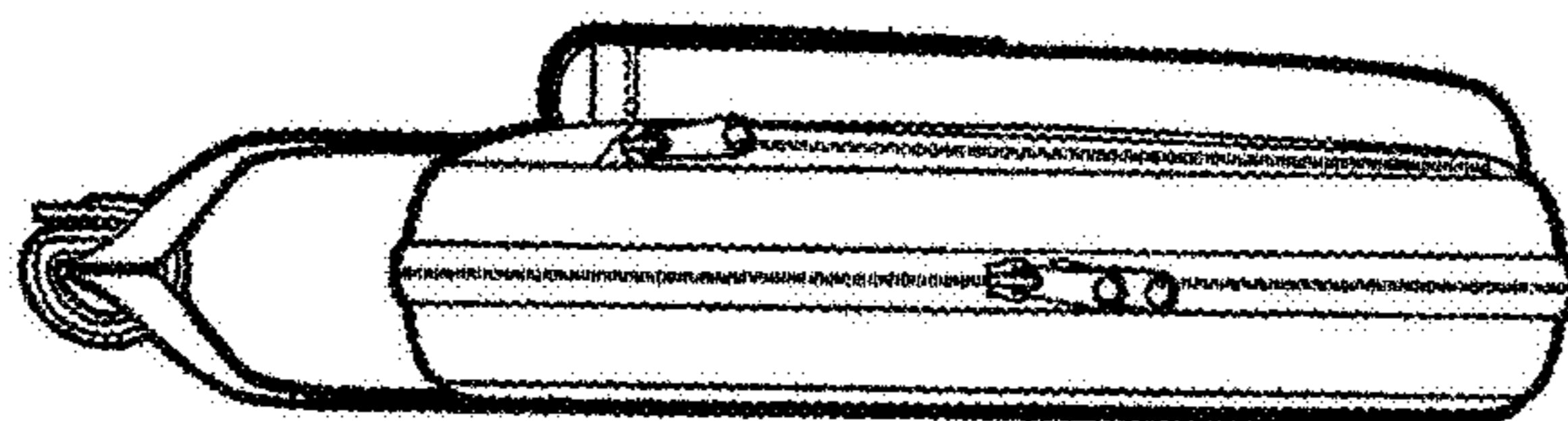


FIGURE 4

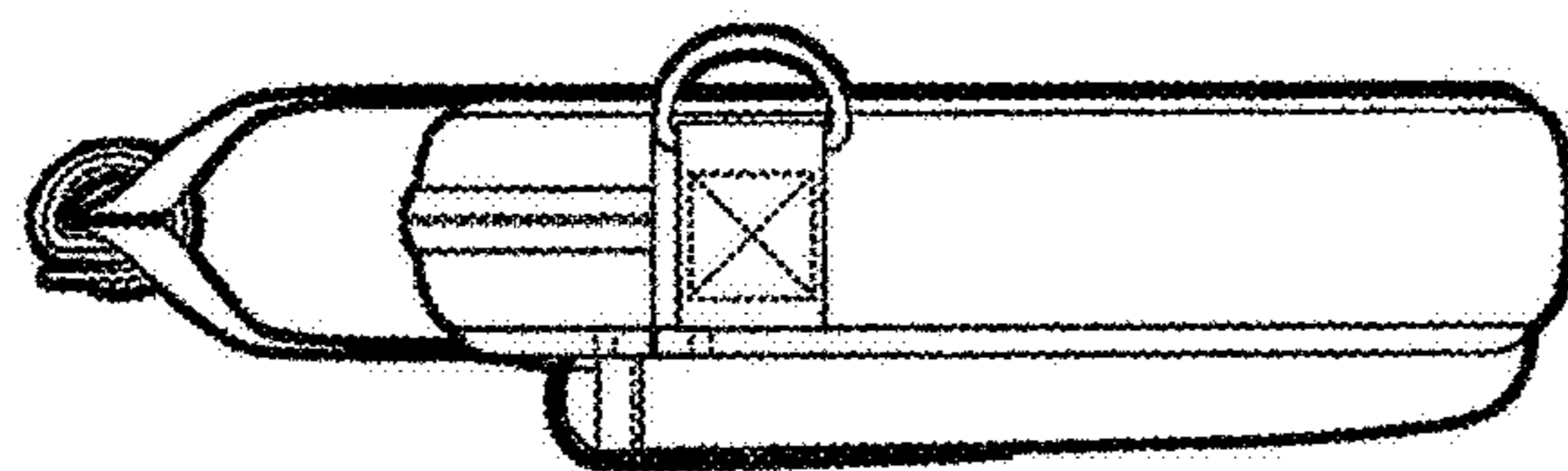


FIGURE 3

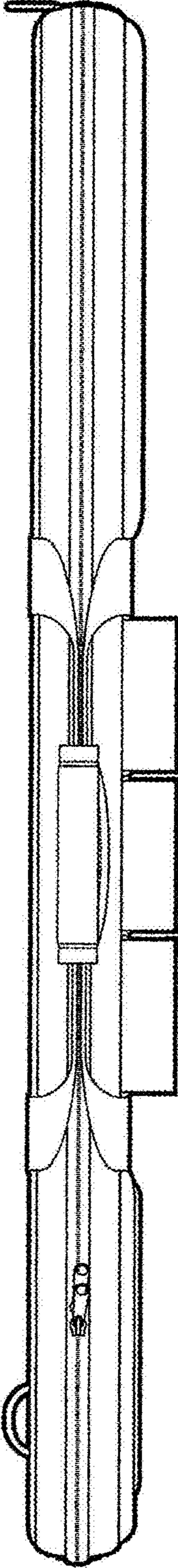


FIGURE 5



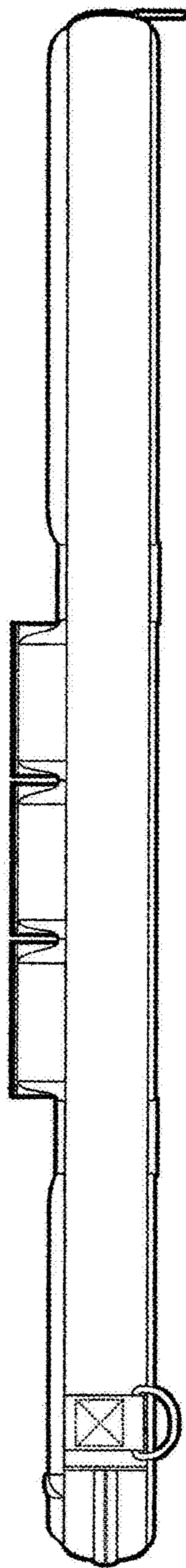


FIGURE 6