



US00D731783S

(12) **United States Design Patent**
Upchurch et al.

(10) **Patent No.:** **US D731,783 S**
(45) **Date of Patent:** **** Jun. 16, 2015**

(54) **TEMPLATE FOR A PRESCRIPTION
MEDICINE CONTAINER**

FOREIGN PATENT DOCUMENTS

(71) Applicant: **AbbVie Inc.**, North Chicago, IL (US)

EP 1211191 6/2002
WO 2005120984 10/2005

(Continued)

(72) Inventors: **Guy Upchurch**, North Chicago, IL (US); **John G. Finch**, North Chicago, IL (US); **Lewis H. Sita**, North Chicago, IL (US); **Lori K. Kim**, North Chicago, IL (US); **Alexandra C. Breban-Lopez**, North Chicago, IL (US); **Bhimaprasad Medhal**, North Chicago, IL (US)

OTHER PUBLICATIONS

Japanese Office action for Design Application No. 2014-7622 dated Apr. 22, 2014.

(Continued)

(73) Assignee: **AbbVie Inc.**, North Chicago, IL (US)

Primary Examiner — Catheri Oliver-Garcia

(**) Term: **14 Years**

(74) *Attorney, Agent, or Firm* — Julie A. Haut; Michael Best & Friedrich LLP

(21) Appl. No.: **29/488,207**

(57) **CLAIM**

We claim the ornamental design for a template for a prescription medicine container, as shown and described.

(22) Filed: **Apr. 16, 2014**

(51) **LOC (10) Cl.** **03-01**

(52) **U.S. Cl.**
USPC **D3/203.2**

DESCRIPTION

(58) **Field of Classification Search**
USPC D3/201–205, 283, 315, 319; D7/541, D7/553.5, 553.1, 553.2, 553.4; 206/528–540, 518, 562–563, 570, 206/63.5, 232; 220/23.8, 556, 575, 4.24; D24/230; D19/35, 75, 77

FIG. 1 is top perspective view of a template for a prescription medicine container according to one embodiment of the invention.

FIG. 2 is bottom perspective view of the template of FIG. 1.

FIG. 3 is a top view of the template of FIG. 1.

FIG. 4 is bottom view of the template of FIG. 1.

FIG. 5 is a rear view of the template of FIG. 1.

FIG. 6 is a front view of the template of FIG. 1.

FIG. 7 is a left side view of the template of FIG. 1; and,

FIG. 8 is a right side view of the template of FIG. 1.

The portions of the template shown in broken lines are included for the purpose of illustrating environment and form no part of the claimed design. The portion of the template shown in broken lines having unequal length segments illustrate the boundary of the claimed design and form no part of the claimed design.

See application file for complete search history.

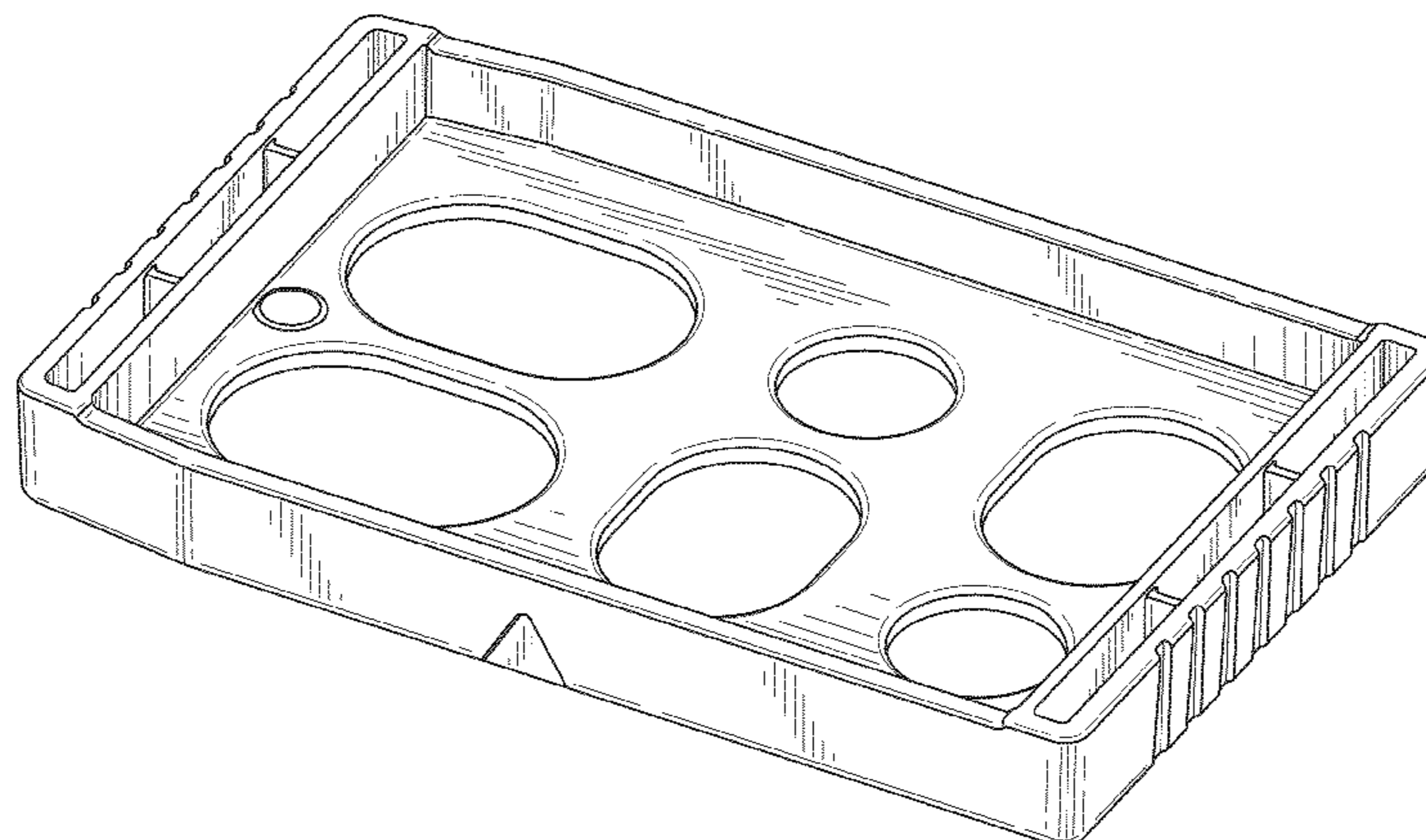
(56) **References Cited**

U.S. PATENT DOCUMENTS

3,288,281 A 11/1966 Sparks
4,120,400 A 2/1967 Greif et al.
3,305,077 A 6/1967 Greif et al.
RE29,705 E 7/1978 Compere
D254,219 S 2/1980 Papciak
4,192,422 A 3/1980 Kotyuk

(Continued)

1 Claim, 5 Drawing Sheets



(56)

References Cited

U.S. PATENT DOCUMENTS

D261,198 S 10/1981 Altadonna
 D263,559 S 3/1982 Poore
 4,340,141 A 7/1982 Fischer
 D268,130 S * 3/1983 Easton D24/230
 D276,116 S * 10/1984 Basil D7/541
 D293,887 S 1/1988 Webster
 4,838,444 A * 6/1989 Bitel 220/4.24
 5,050,739 A 9/1991 Hannan et al.
 D320,930 S 10/1991 Richards
 D322,400 S 12/1991 Sorensen
 D322,934 S 1/1992 Kalvelage
 D327,363 S 6/1992 Farb
 D331,258 S * 11/1992 Tarozzi D19/35
 D350,478 S 9/1994 Fuller et al.
 D351,995 S 11/1994 Kalvelage
 D351,996 S 11/1994 Kalvelage
 D370,414 S 6/1996 Lambelet, Jr.
 D370,625 S 6/1996 Kelsey et al.
 D372,124 S * 7/1996 Dammers D3/315
 D372,867 S 8/1996 Lambelet, Jr.
 D382,474 S 8/1997 Malmborg
 5,740,717 A 4/1998 Sowden et al.
 D404,641 S 1/1999 Kelsey et al.
 D411,445 S 6/1999 Anderson
 D414,106 S 9/1999 Anderson
 6,138,830 A 10/2000 Muggli
 D457,246 S 5/2002 Mazel et al.
 6,443,307 B1 9/2002 Burridge
 6,516,949 B2 2/2003 Fuller et al.
 6,622,856 B2 * 9/2003 Gallo et al. 206/232
 D480,958 S 10/2003 Mazel et al.
 6,679,382 B1 1/2004 Kancsar et al.
 6,793,077 B1 9/2004 Kancsar et al.
 6,896,139 B2 5/2005 Kancsar et al.
 6,997,320 B1 2/2006 Kancsar et al.
 D518,737 S 4/2006 Zalzal
 7,063,211 B2 6/2006 Williams-Hartman
 D525,777 S 8/2006 Priebe et al.
 D526,478 S 8/2006 Priebe et al.
 7,126,879 B2 10/2006 Snyder
 7,188,728 B2 3/2007 Williams-Hartman
 D546,198 S 7/2007 Currie et al.
 D558,603 S 1/2008 Priebe et al.
 7,448,496 B2 11/2008 Williams-Hartman
 7,641,050 B2 1/2010 Klatt et al.
 7,665,610 B2 2/2010 Williams-Hartman
 7,696,236 B2 4/2010 Bradford
 7,748,535 B2 7/2010 Grosskopf
 D622,158 S 8/2010 Proulx
 7,767,700 B2 8/2010 Bradford
 7,784,250 B2 8/2010 Grosskopf
 7,900,772 B2 3/2011 Sack et al.
 7,905,355 B2 3/2011 Williams-Hartman
 7,926,660 B2 4/2011 Jones et al.
 D637,391 S 5/2011 Stevens et al.
 7,967,144 B2 6/2011 Sack et al.
 D642,789 S 8/2011 Cooper
 7,997,411 B2 8/2011 Williams-Hartman
 D650,295 S 12/2011 Schmitz et al.
 8,132,671 B2 3/2012 Hession
 D658,991 S 5/2012 Schmitz et al.
 D659,019 S 5/2012 Specker et al.
 D659,550 S 5/2012 Mazor
 8,205,752 B2 6/2012 Sack et al.
 D670,178 S 11/2012 Carson
 8,342,330 B2 1/2013 Weston et al.
 8,342,331 B2 1/2013 Ziemba et al.
 8,403,212 B2 3/2013 van Esch

8,413,813 B2 4/2013 Grosskopf
 8,420,674 B2 4/2013 Bradford
 D683,950 S 6/2013 Ernster et al.
 D684,482 S 6/2013 Stevens
 D685,272 S 7/2013 Stevens
 8,479,921 B2 7/2013 Ingraham
 D688,570 S 8/2013 Logue
 D688,571 S 8/2013 Logue
 8,499,531 B2 8/2013 Benetti et al.
 D689,373 S 9/2013 Logue
 D689,374 S 9/2013 Logue
 D689,778 S 9/2013 Logue
 D691,465 S 10/2013 O'Brien et al.
 D691,856 S * 10/2013 Dabney-Wiggs D7/553.2
 8,544,650 B2 10/2013 Williams-Hartman
 8,550,248 B1 10/2013 Busen
 8,556,077 B1 10/2013 Hanley
 8,561,798 B2 10/2013 Hession
 8,567,606 B2 10/2013 Bellamah et al.
 8,573,403 B2 11/2013 Stevens et al.
 8,579,106 B2 11/2013 Naik et al.
 8,584,857 B2 11/2013 Ozawa et al.
 8,602,218 B2 12/2013 Grosskopf
 8,607,982 B2 12/2013 Jones
 8,607,983 B2 12/2013 Niven et al.
 8,627,957 B2 1/2014 Ziemba et al.
 8,640,917 B2 2/2014 Kracke
 8,672,134 B2 3/2014 Sprada et al.
 8,740,003 B2 6/2014 Elliott
 8,746,454 B2 6/2014 Doucet et al.
 8,752,704 B2 6/2014 Alonso et al.
 8,757,381 B2 6/2014 Bouthiette
 D711,219 S 8/2014 Palsson
 2003/0034271 A1 2/2003 Burridge
 2003/0164380 A1 9/2003 Taneja et al.
 2007/0185615 A1 8/2007 Bossi et al.
 2009/0038982 A1 2/2009 Doucet et al.
 2009/0242451 A1 10/2009 Kessler
 2011/0215022 A1 9/2011 Sack et al.
 2012/0248005 A1 10/2012 Bergey
 2013/0008825 A1 1/2013 McArthur et al.
 2013/0193029 A1 8/2013 Weston et al.
 2013/0220870 A1 8/2013 Grosskopf
 2013/0220871 A1 8/2013 Bradford
 2013/0233756 A1 9/2013 Weston et al.
 2013/0256183 A1 10/2013 Ingraham
 2013/0281960 A1 10/2013 Hanley
 2013/0306511 A1 11/2013 Branyon et al.
 2014/0001194 A1 1/2014 Pipes et al.
 2014/0027340 A1 1/2014 Hession
 2014/0027341 A1 1/2014 Ludwig et al.
 2014/0083900 A1 3/2014 Ziemba et al.
 2014/0171436 A1 6/2014 Kamen et al.
 2014/0183095 A1 7/2014 Choubey et al.
 2014/0209498 A1 7/2014 Stevens
 2014/0214438 A1 7/2014 Ahmadi
 2014/0216968 A1 8/2014 Wagner et al.
 2014/0216977 A1 8/2014 Bowers et al.

FOREIGN PATENT DOCUMENTS

WO 2010015638 2/2010
 WO 2014057967 4/2014
 WO 2014085625 6/2014

OTHER PUBLICATIONS

Japanese Office action for Design Application No. 2014-7623 dated Apr. 22, 2014.

* cited by examiner

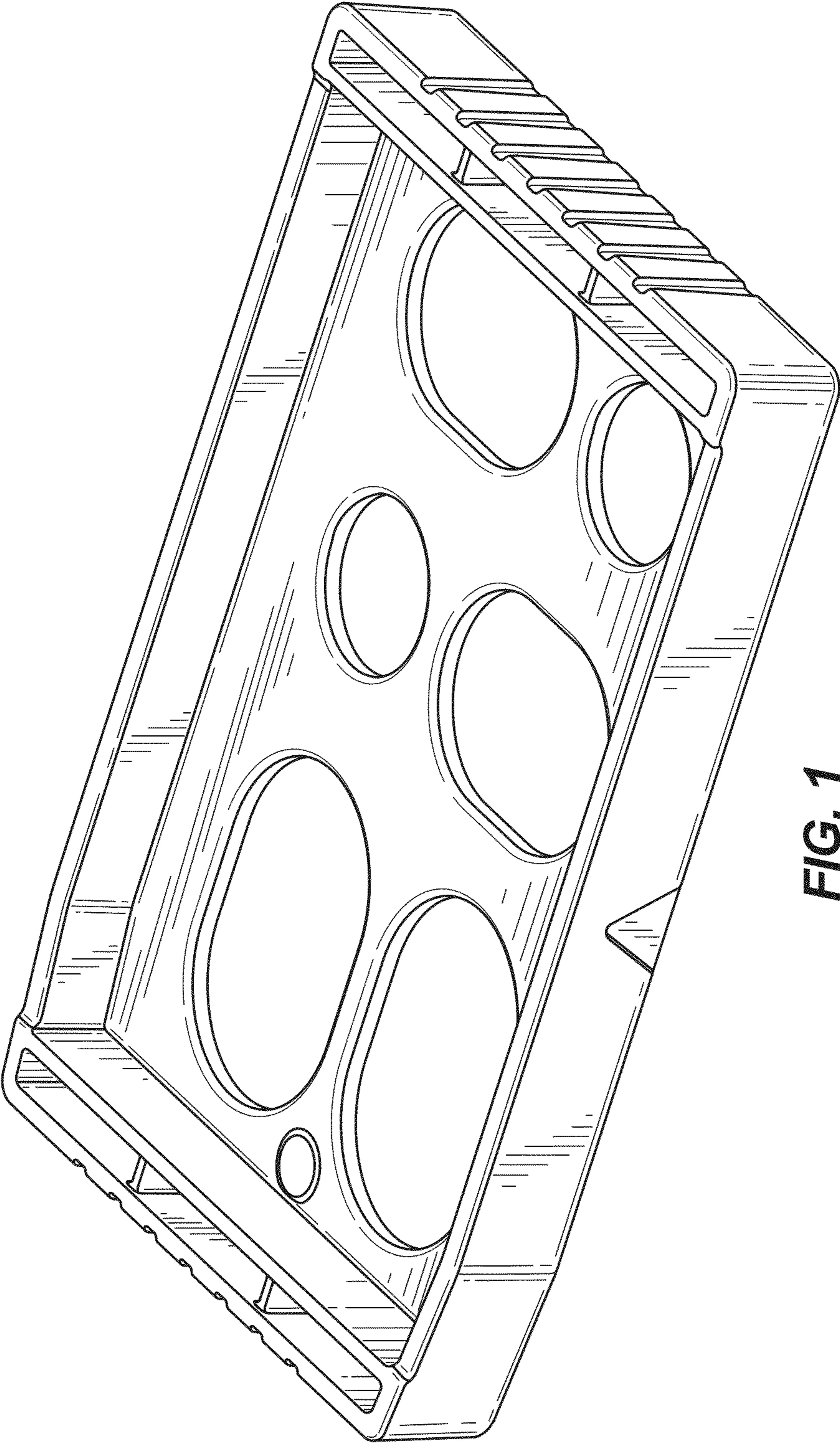


FIG. 1

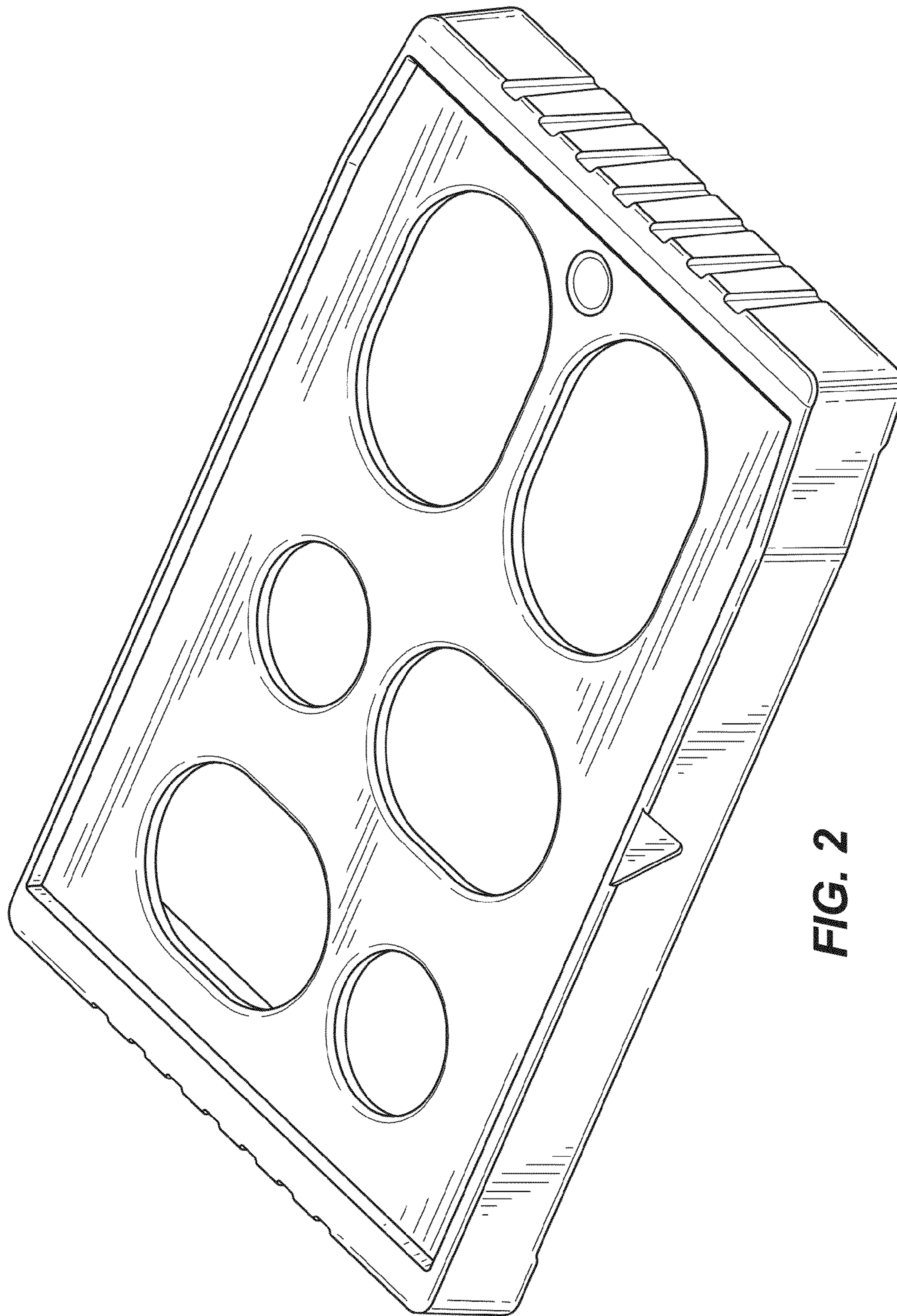


FIG. 2

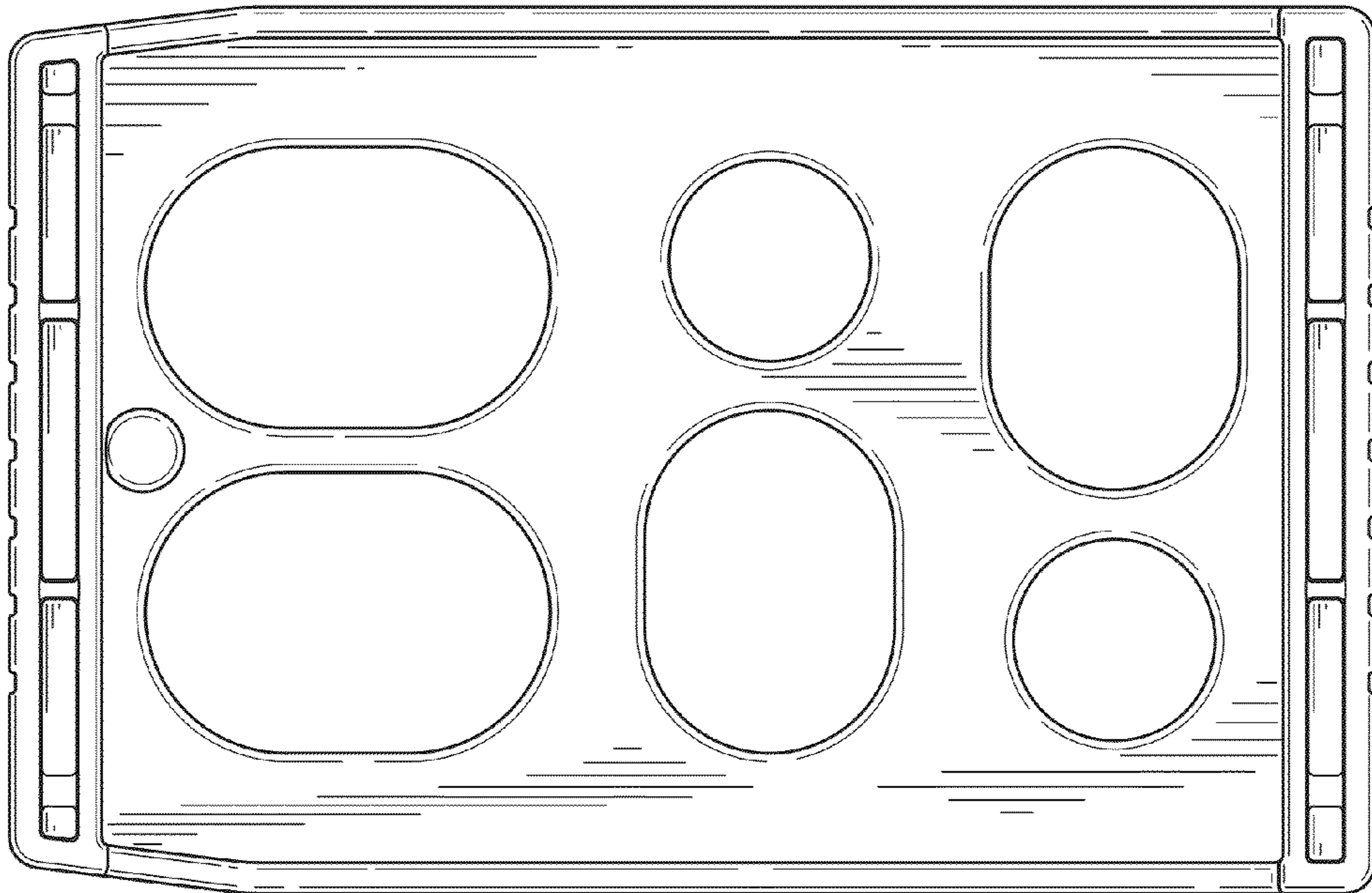


FIG. 3

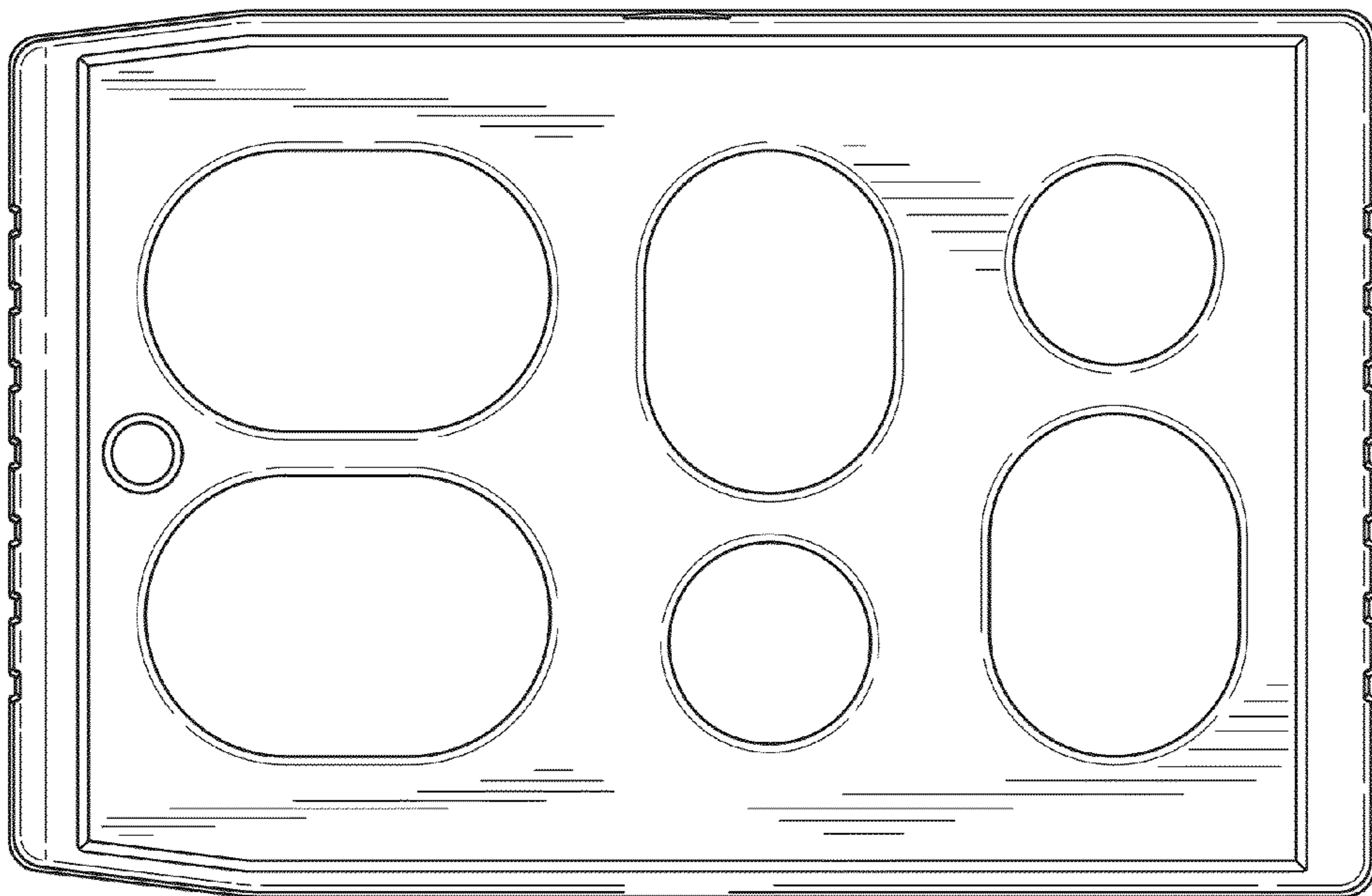


FIG. 4

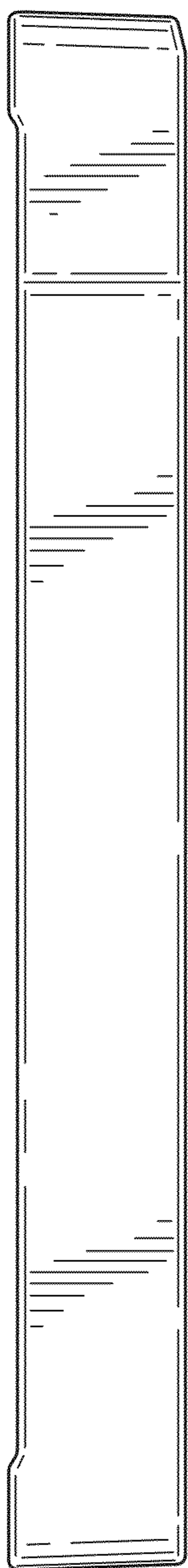


FIG. 5

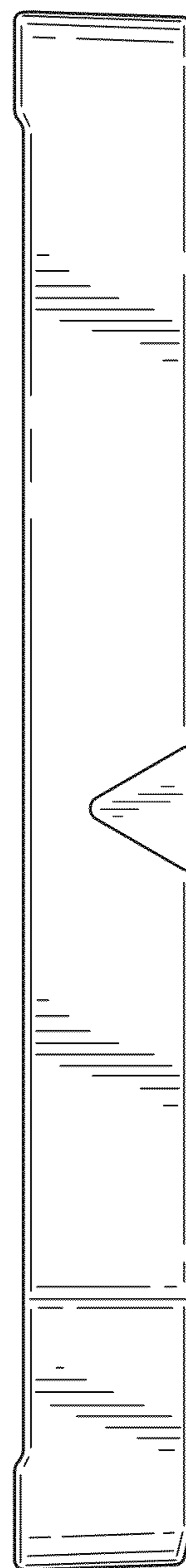


FIG. 6

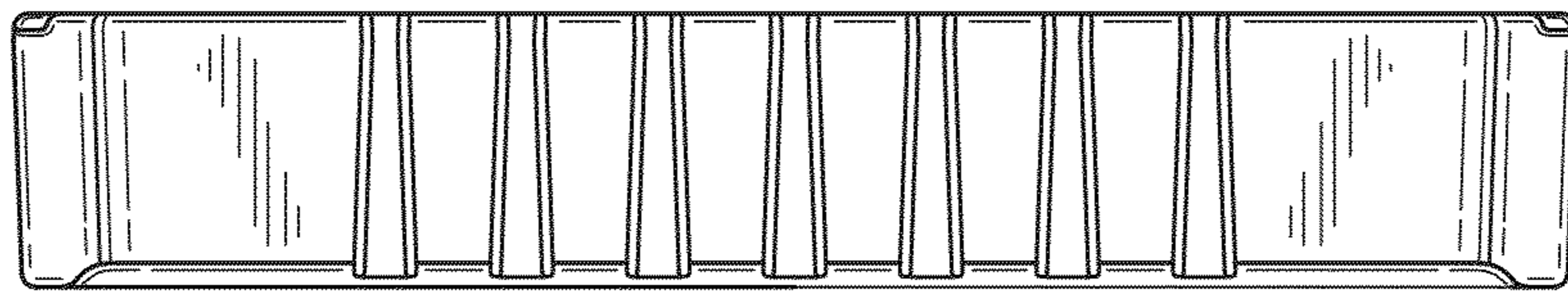


FIG. 7

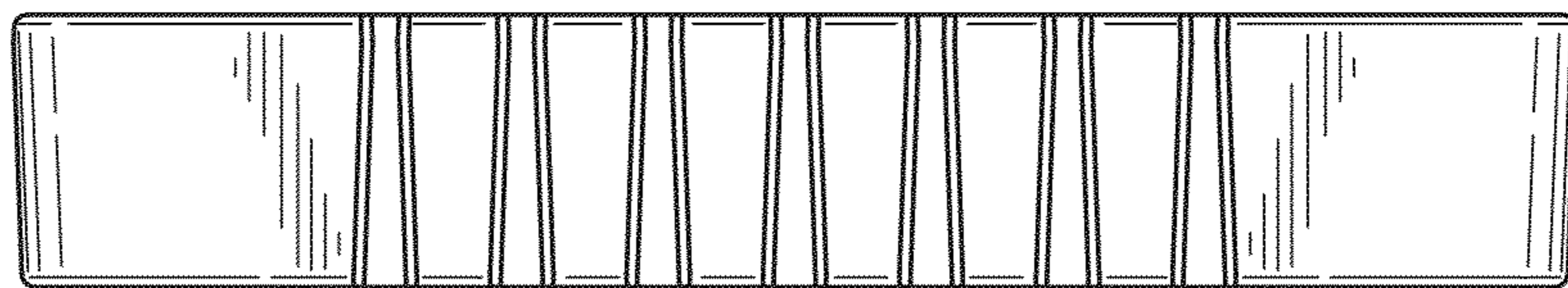


FIG. 8