



US00D731781S

(12) **United States Design Patent**  
**Behar et al.**

(10) **Patent No.:** **US D731,781 S**  
(45) **Date of Patent:** **\*\* Jun. 16, 2015**

(54) **EAR PIECE HOUSING**

(71) Applicant: **AliphCom**, San Francisco, CA (US)

(72) Inventors: **Yves Albert Behar**, San Francisco, CA (US); **Qin Li**, San Francisco, CA (US); **Diana Chang**, San Francisco, CA (US)

(73) Assignee: **ALIPHCOM**, San Francisco, CA (US)

(\*\*) Term: **14 Years**

(21) Appl. No.: **29/470,967**

(22) Filed: **Oct. 25, 2013**

(51) **LOC (10) Cl.** ..... **03-01**

(52) **U.S. Cl.**  
USPC ..... **D3/201**

(58) **Field of Classification Search**  
USPC ..... D3/201–205; D14/223–224, 204, 206;  
379/430–431; 381/380–381; 455/90.3,  
455/575.1, 575.2, 569.1; 181/129–130, 135  
See application file for complete search history.

(56) **References Cited**

U.S. PATENT DOCUMENTS

8,229,521 B2 *	7/2012	Kang et al.	.....	455/575.2
D689,847 S *	9/2013	To	.....	D14/223
D693,796 S *	11/2013	Birger	.....	D14/223
D696,647 S *	12/2013	Houghton et al.	.....	D14/223
D713,822 S *	9/2014	Paradise et al.	.....	D14/223

\* cited by examiner

*Primary Examiner* — Catheri Oliver-Garcia

(74) *Attorney, Agent, or Firm* — Kilpatrick Townsend & Stockton LLP

(57) **CLAIM**

The ornamental design for an ear piece housing, as shown and described.

**DESCRIPTION**

FIG. 1 is a front perspective view of a first embodiment of an ear piece housing showing our new design, shown in a closed position;

FIG. 2 is a rear perspective view thereof;  
FIG. 3 is a left side elevational view thereof;  
FIG. 4 is a right side elevational view thereof;  
FIG. 5 is a front elevational view thereof;  
FIG. 6 is a back elevational view thereof;  
FIG. 7 is a top plan view thereof;  
FIG. 8 is a bottom plan view thereof;  
FIG. 9 is a front perspective view of the ear piece housing, shown in an open position;  
FIG. 10 is a left side elevational view thereof;  
FIG. 11 is a right side elevational view thereof;  
FIG. 12 is a bottom front perspective view thereof;  
FIG. 13 is a front perspective view the ear piece housing showing a connected cable;  
FIG. 14 is a front perspective view of a second embodiment of the ear piece housing, shown in a closed position;  
FIG. 15 is a rear perspective view thereof;  
FIG. 16 is a left elevational view thereof;  
FIG. 17 is a rear elevational view thereof;  
FIG. 18 is a front elevational view thereof; and,  
FIG. 19 is a top plan view thereof.

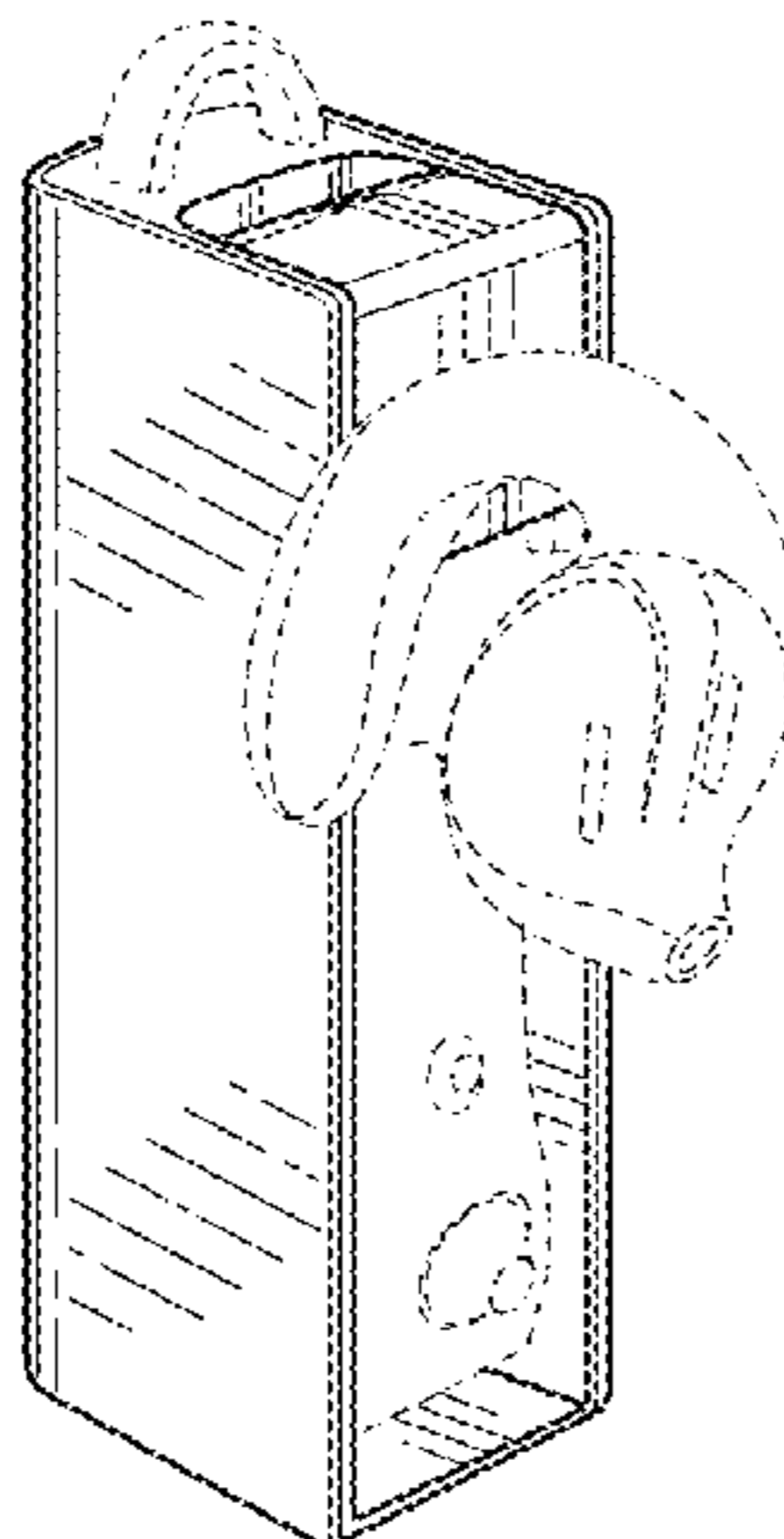
The submitted drawings show some additional solid lines on the ear piece housing; some of these solid lines are not meant to convey actual solidly drawn lines, such as actual surface markings or ornamentation, on the ear piece housing. As is generally recognized by persons skilled in the art of preparing digital drawings, such solid lines are meant to convey the boundaries for curved surfaces on the ear piece housing.

The broken line showing on the drawing disclosure of interior parts, an ear piece and a connected cable, among others, are for the purpose of showing internal and environmental structure and forms no part of the claimed design.

The internal view of the components shown disassembled in FIG. 9, form no part of the claimed design.

JAWBONE is a registered trademark of AliphCom dba Jawbone and forms part of the claimed design.

**1 Claim, 11 Drawing Sheets**



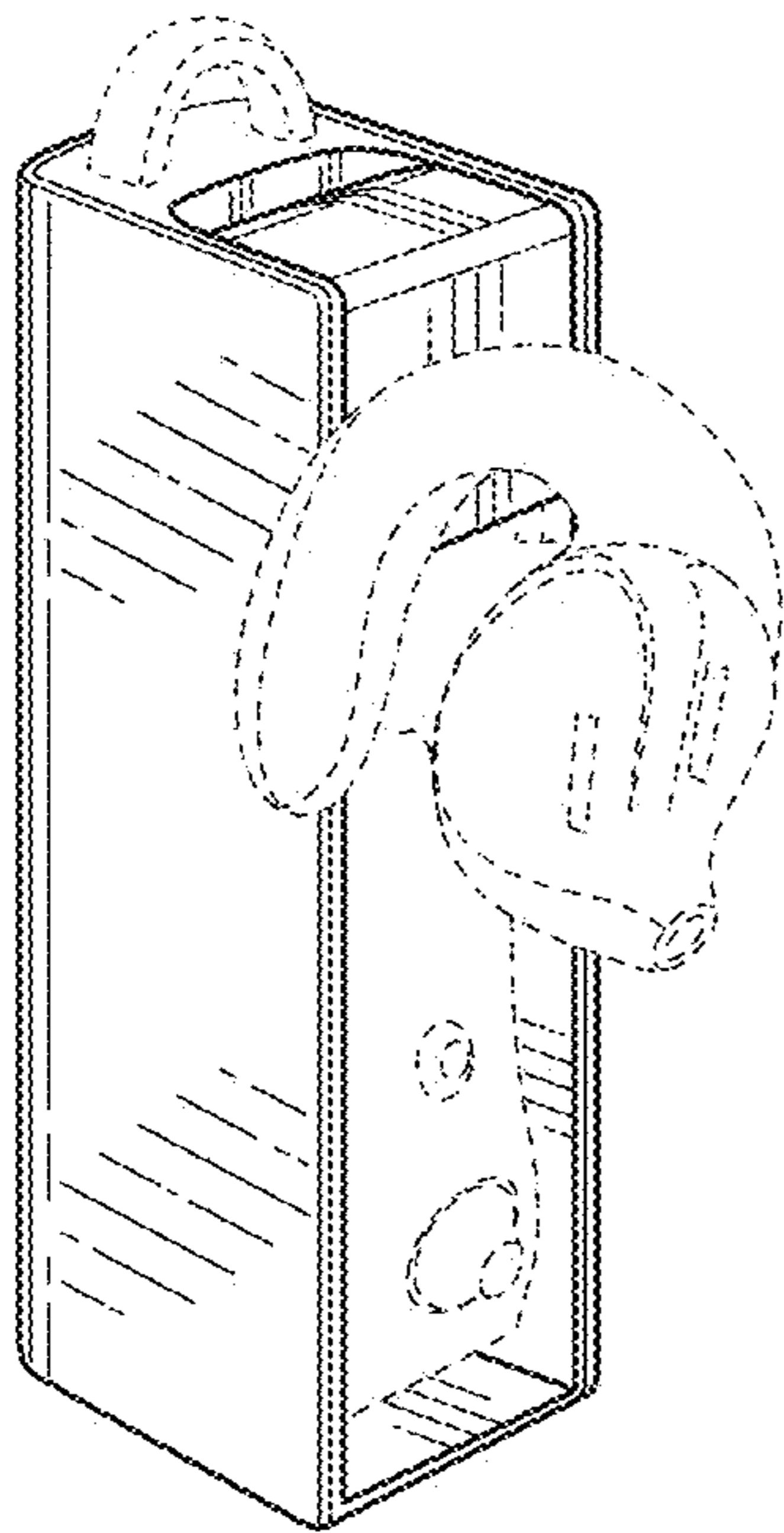


FIG. 1

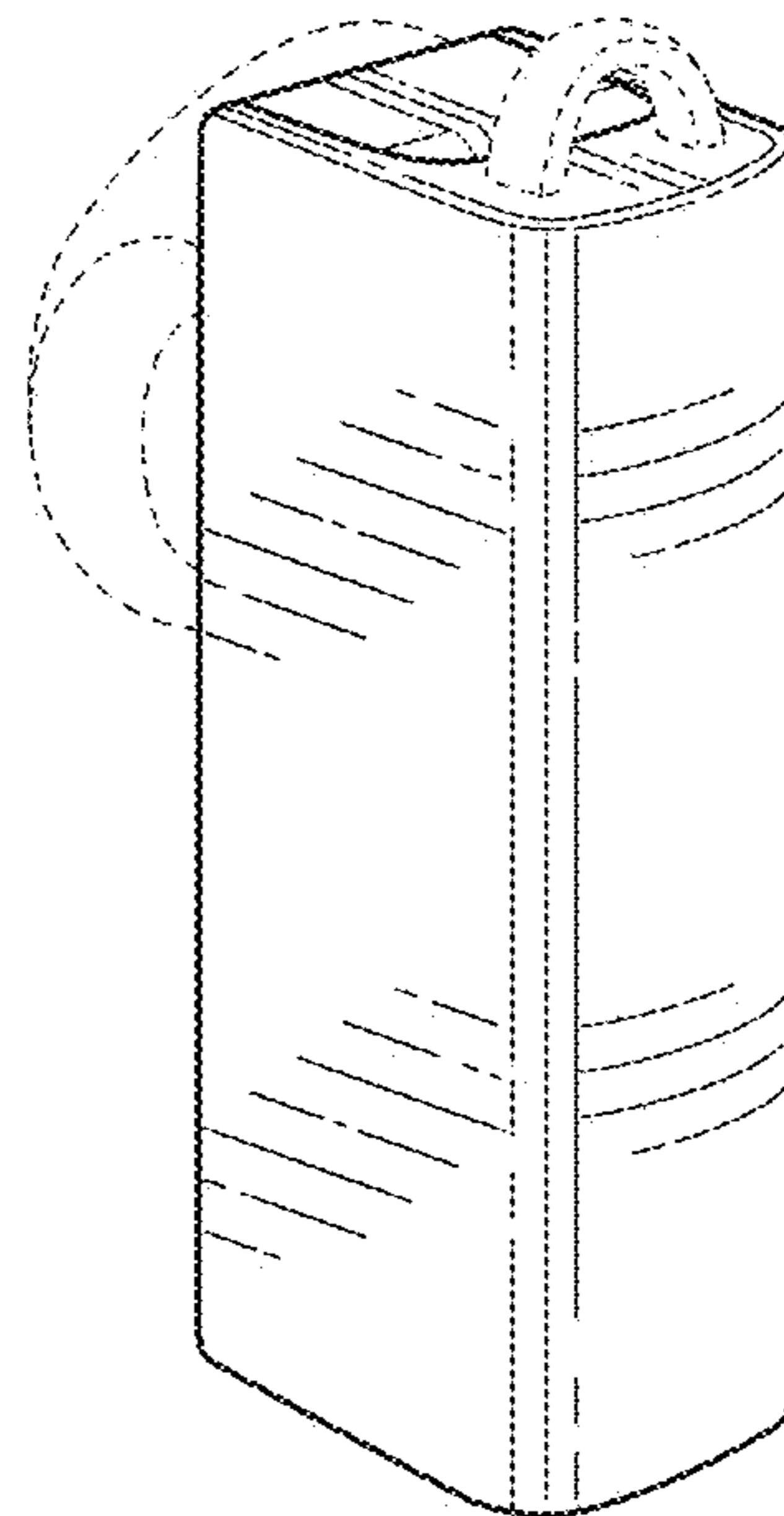


FIG. 2

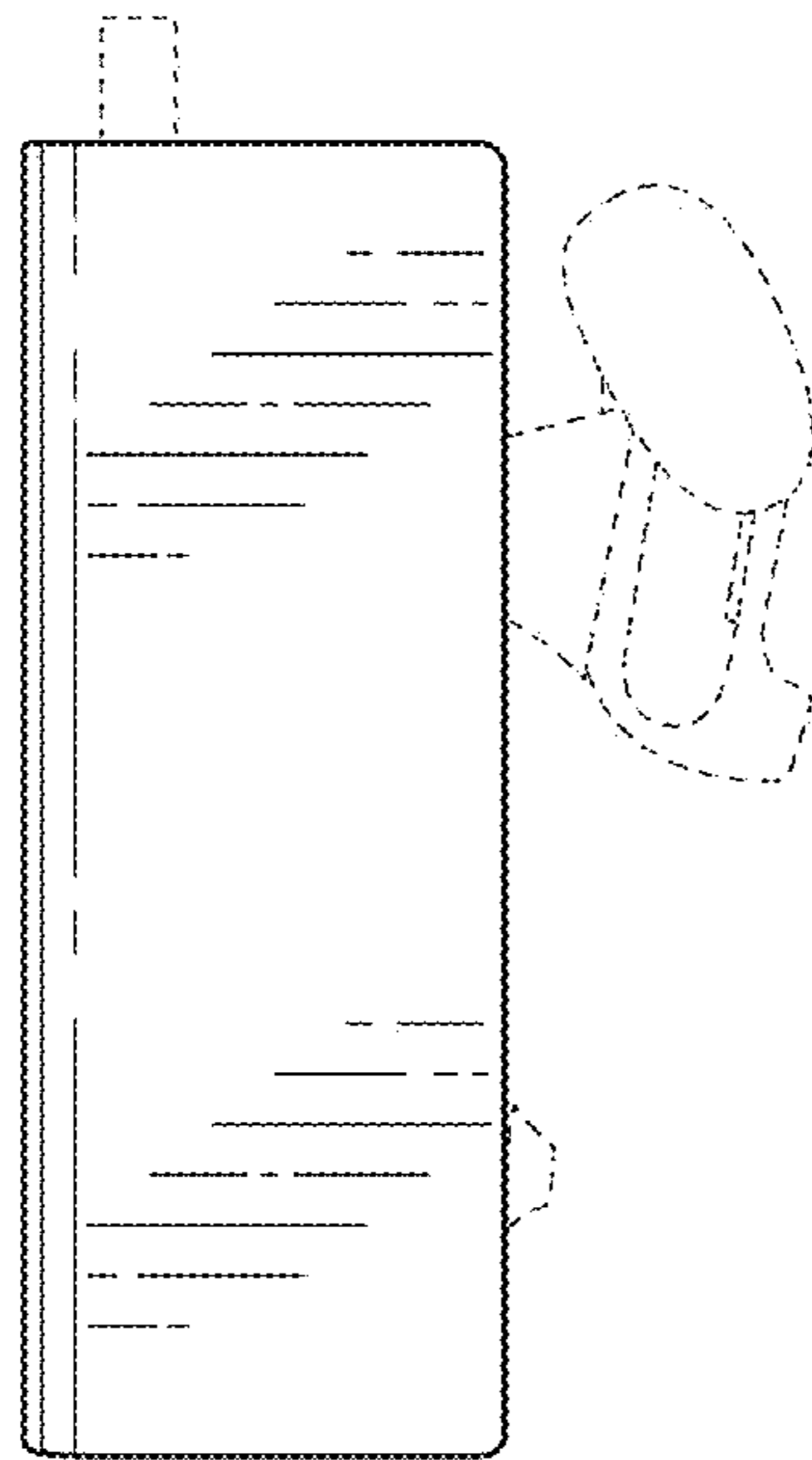


FIG. 3

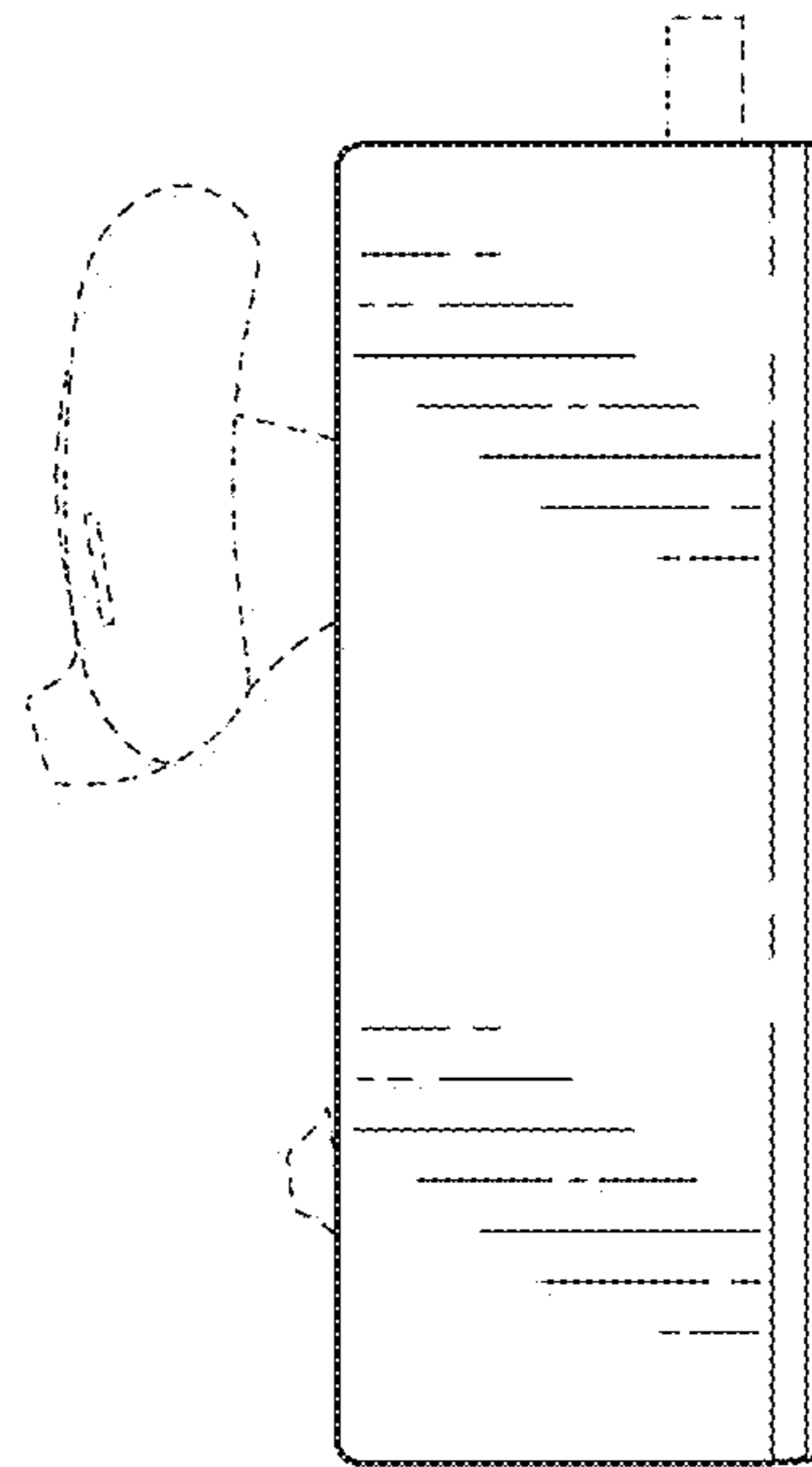


FIG. 4

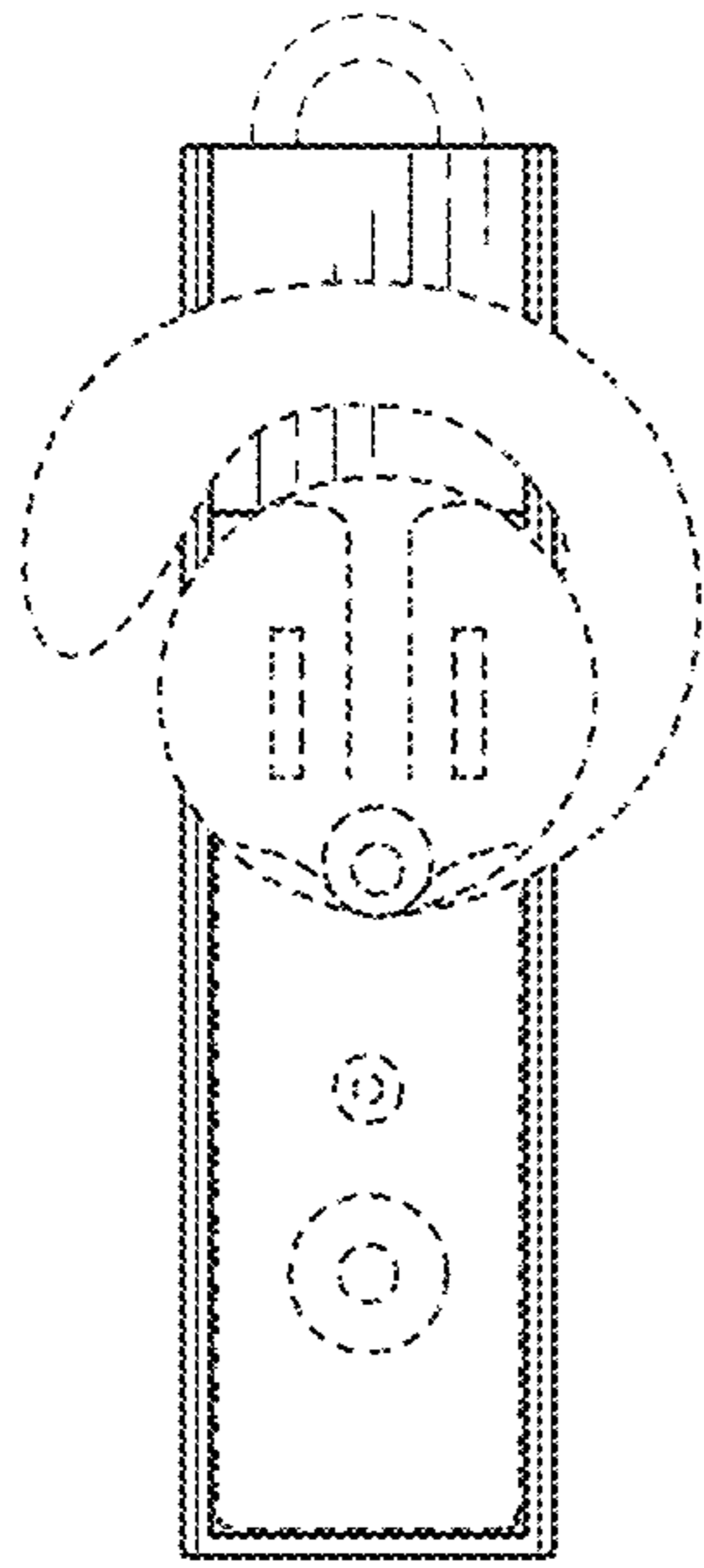


FIG. 5

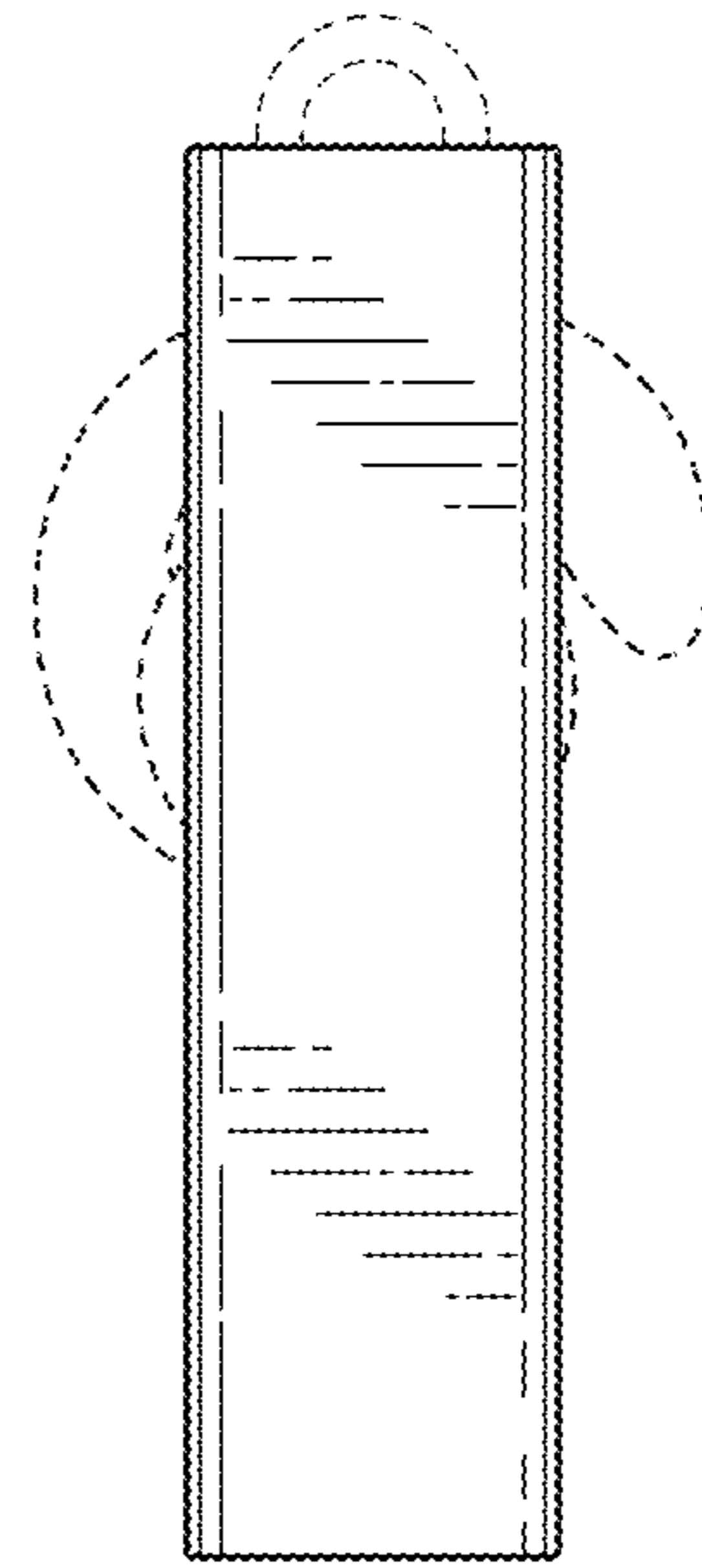


FIG. 6

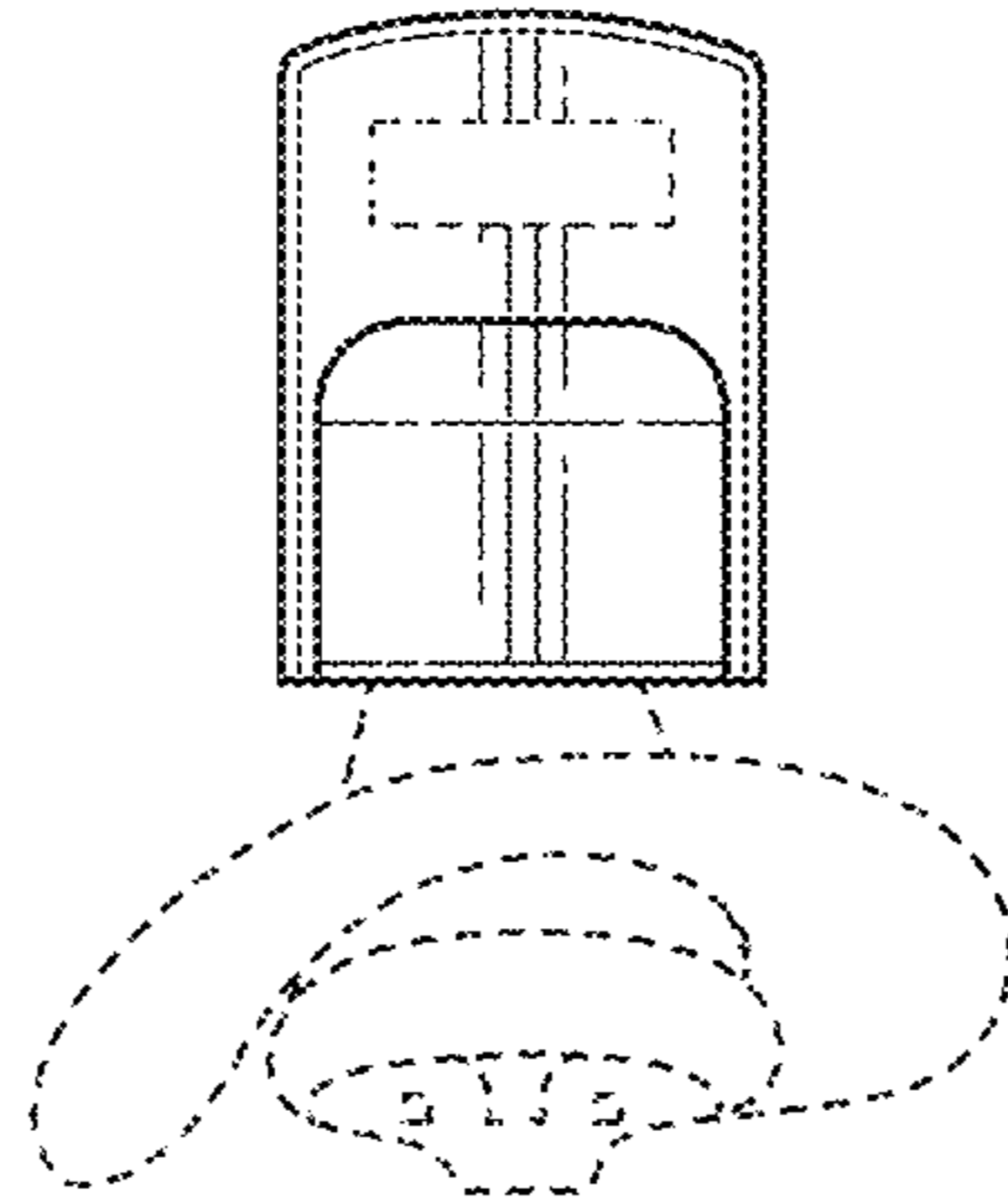


FIG. 7

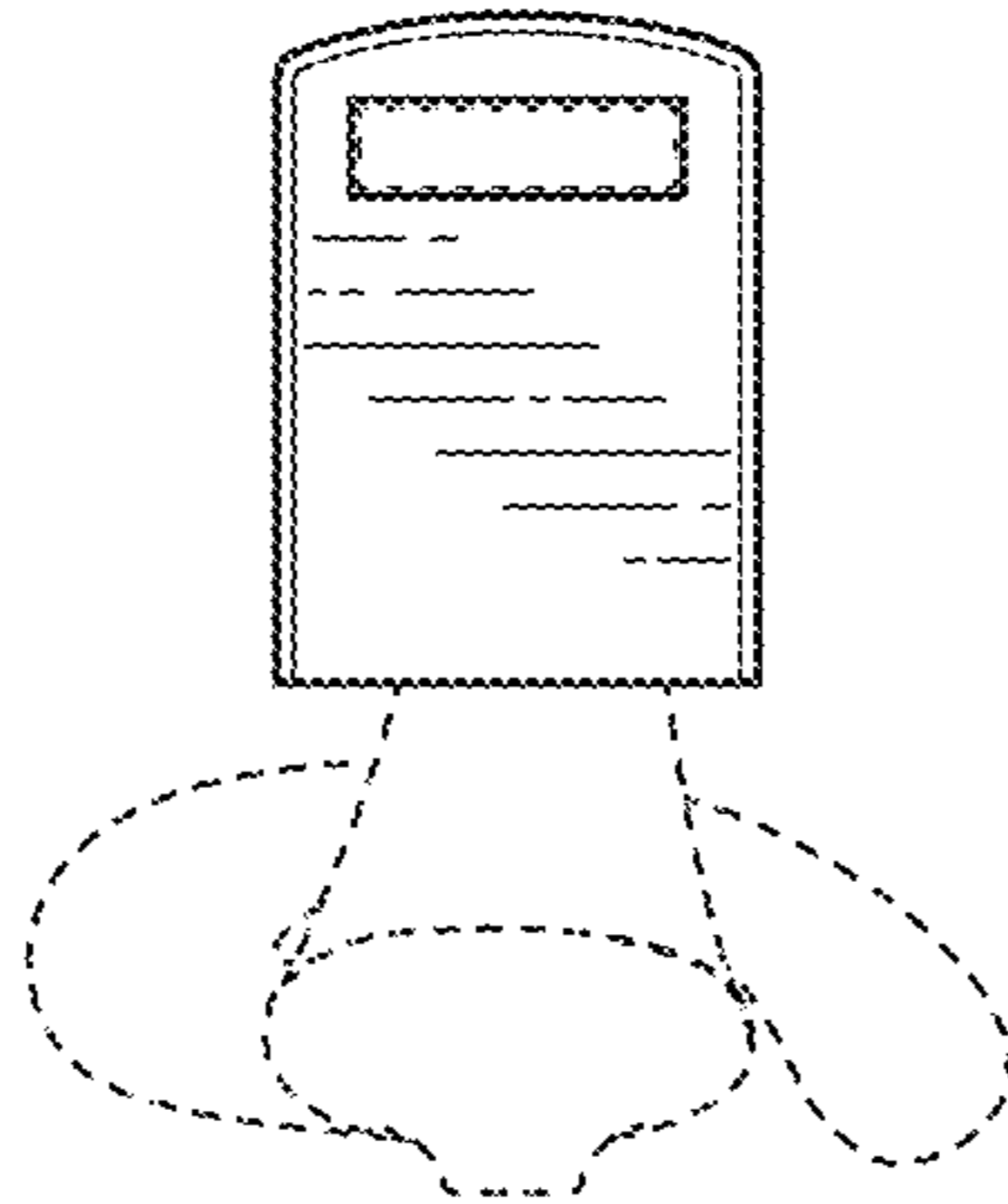


FIG. 8

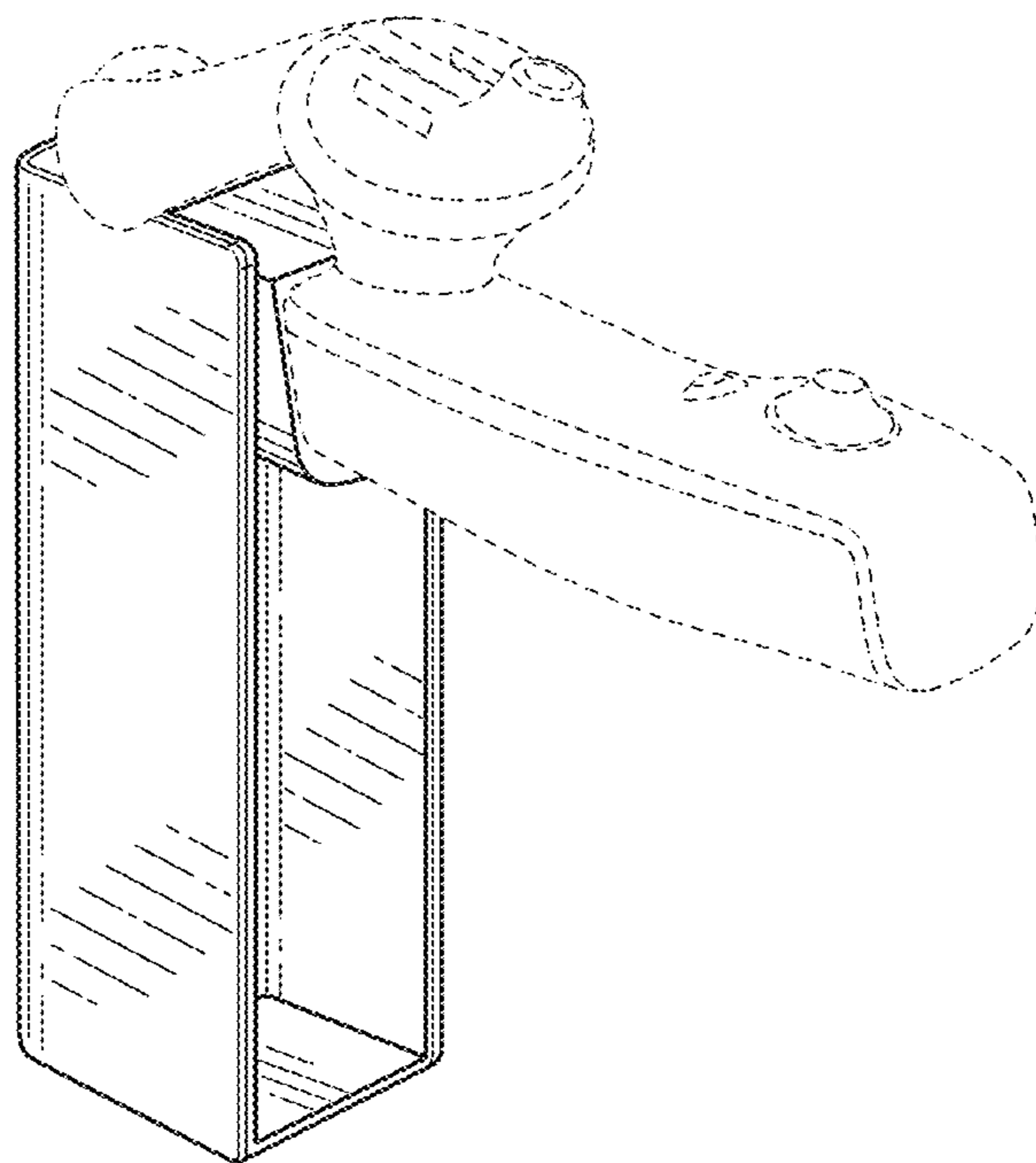


FIG. 9

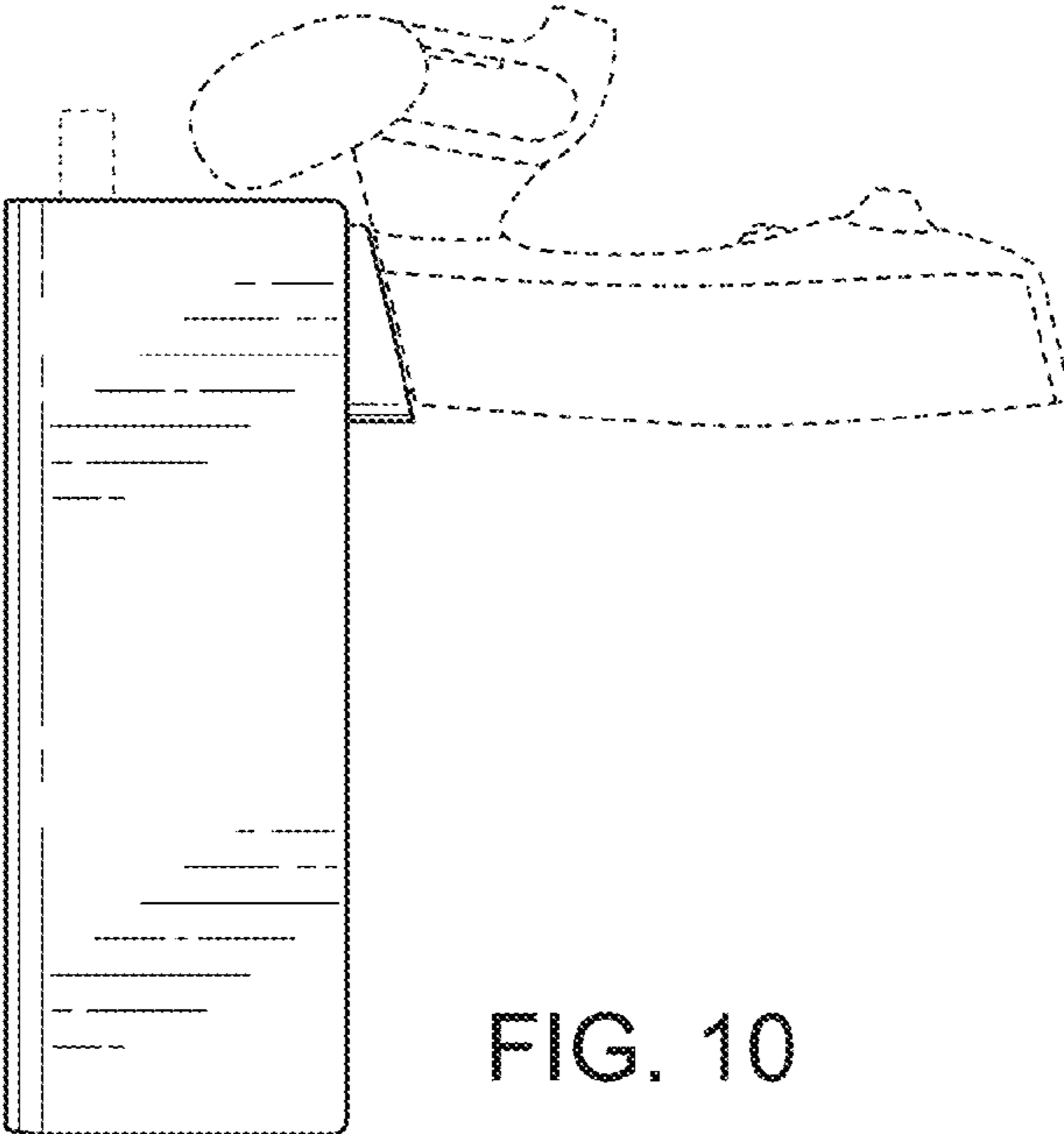


FIG. 10

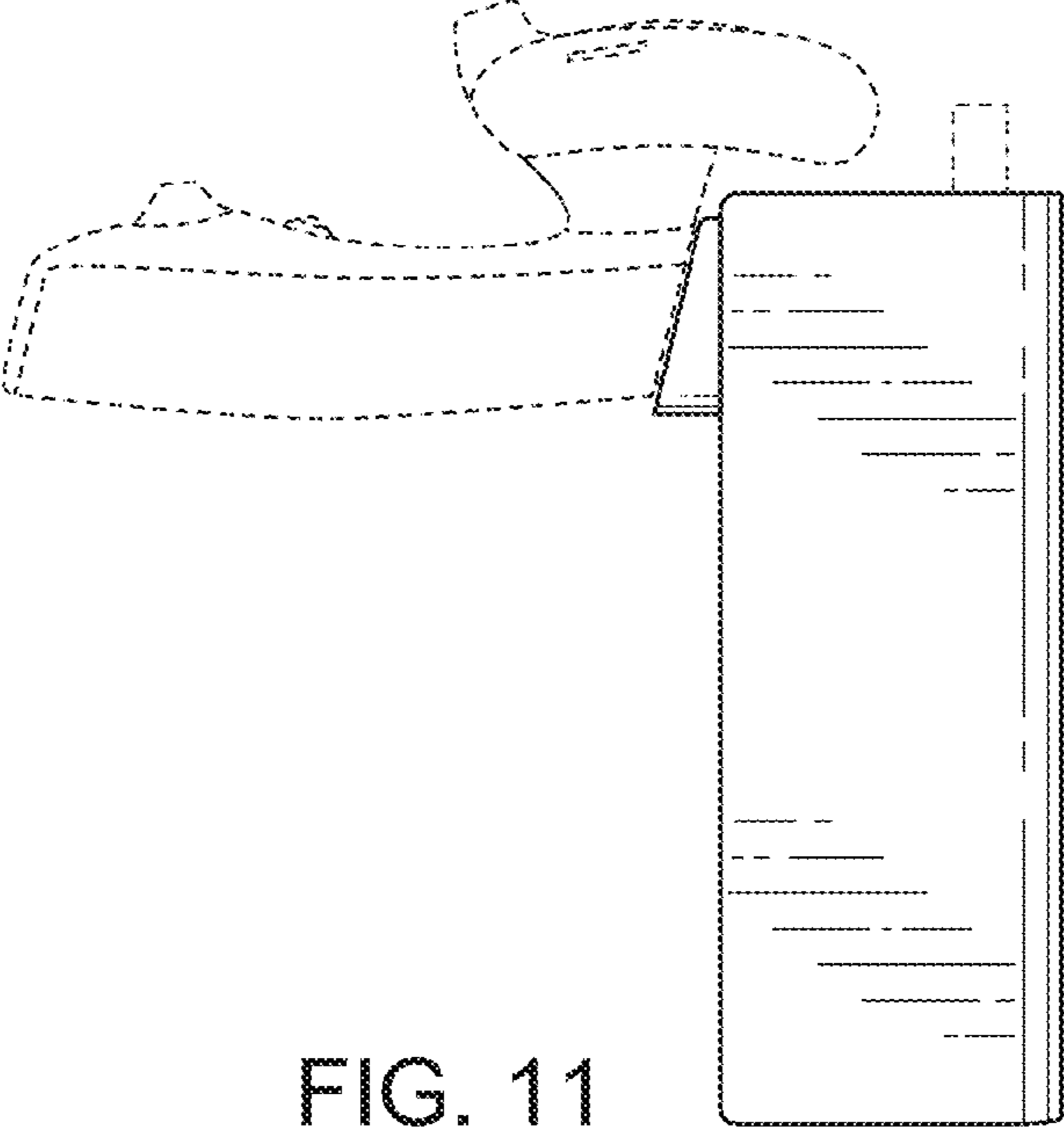


FIG. 11

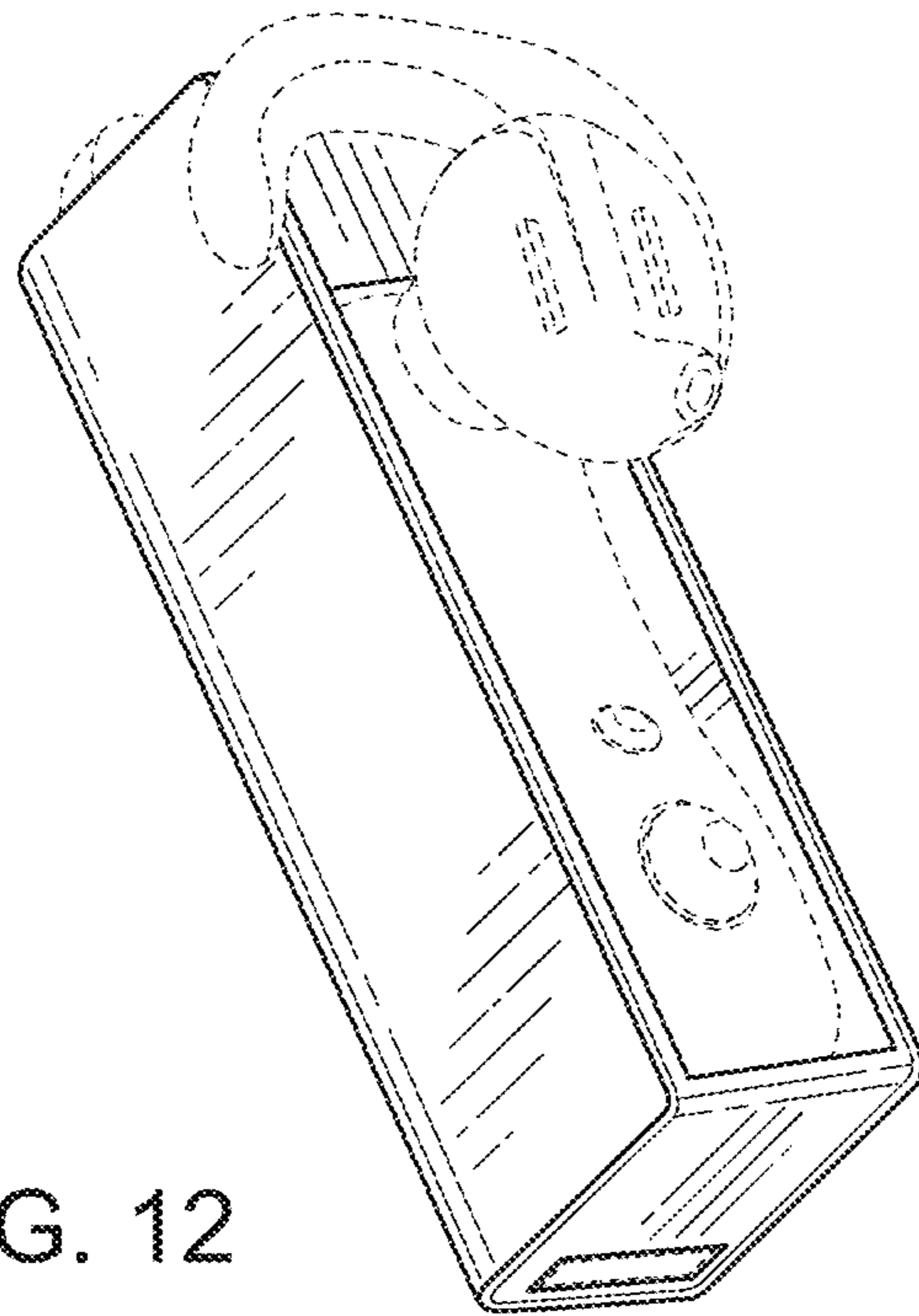


FIG. 12



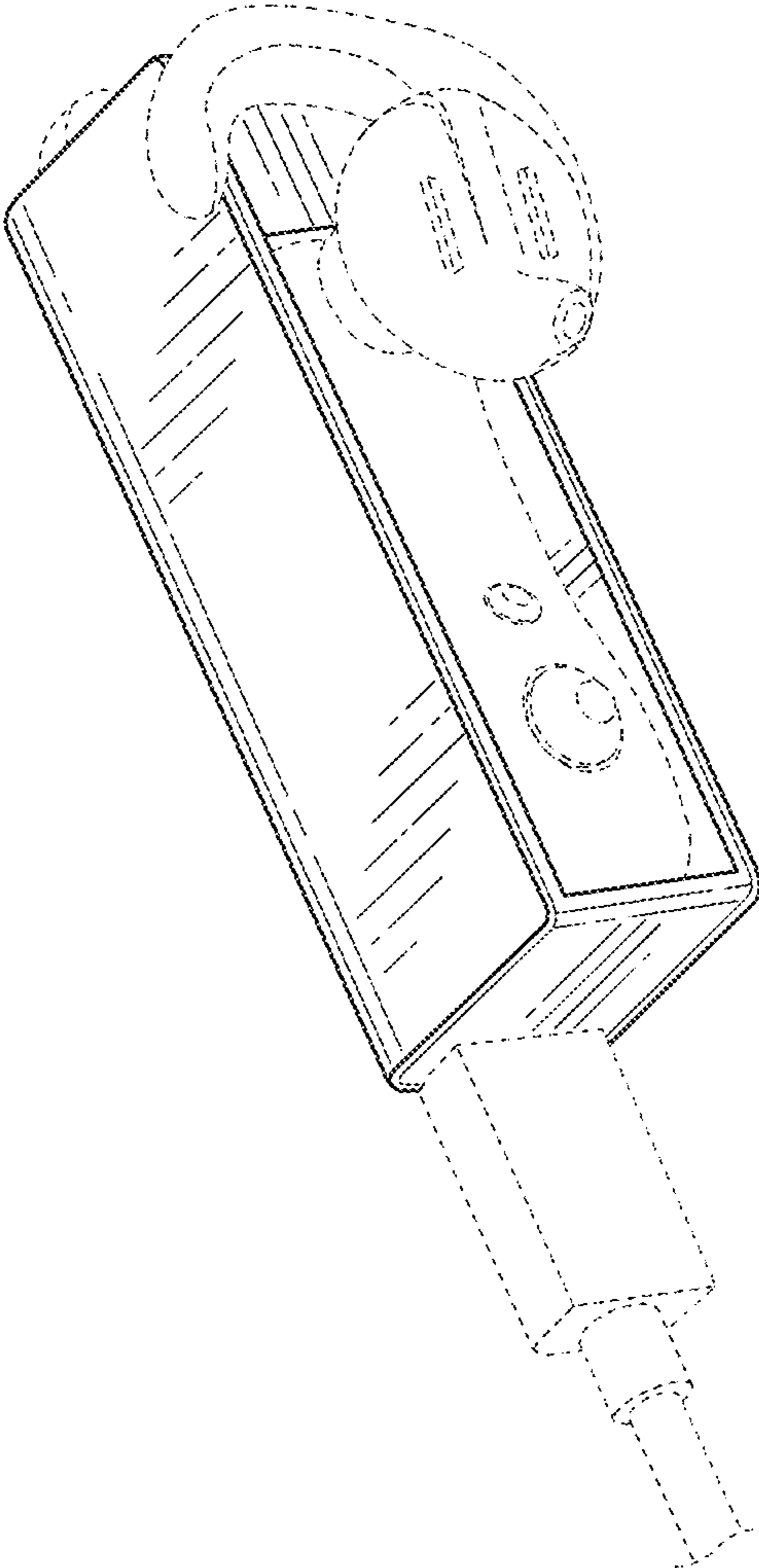


FIG. 13

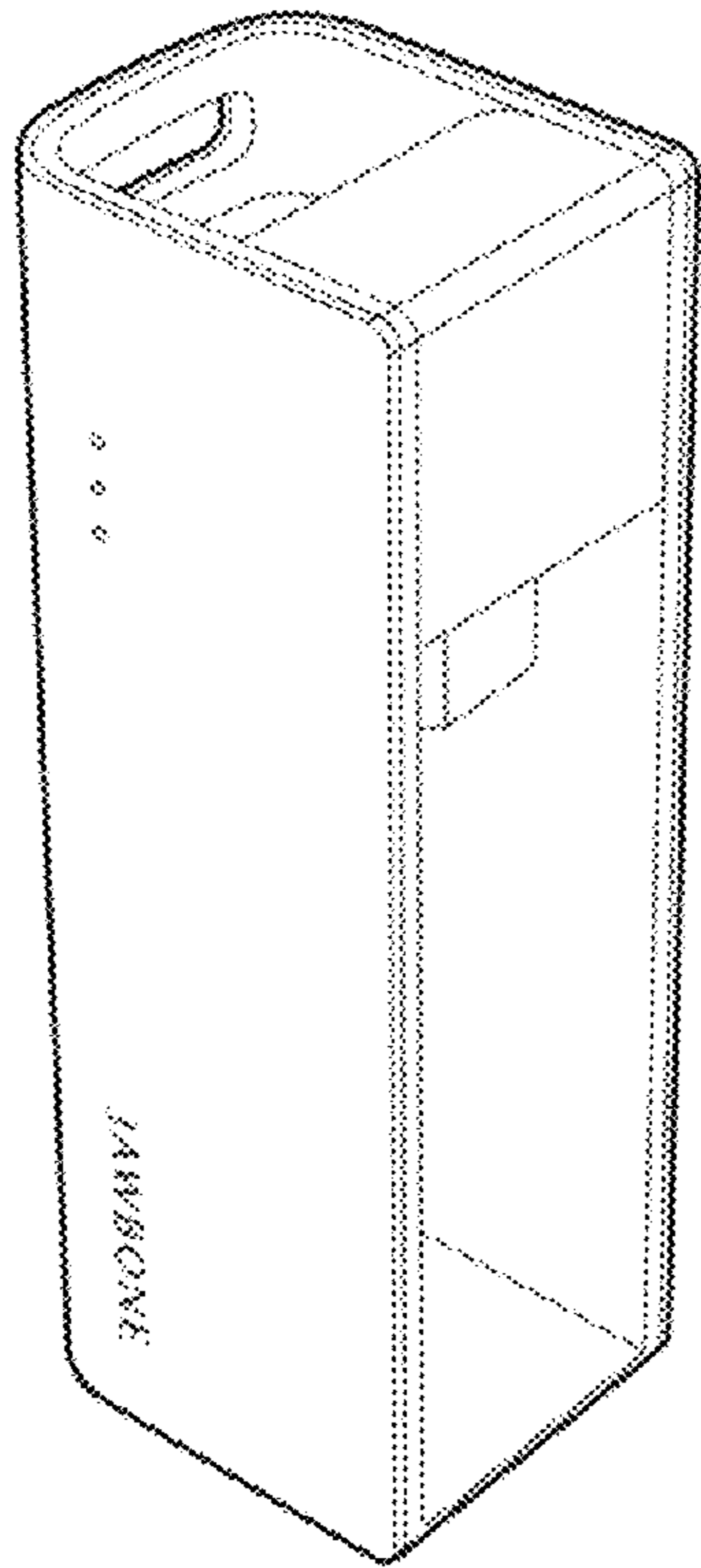


FIG. 14

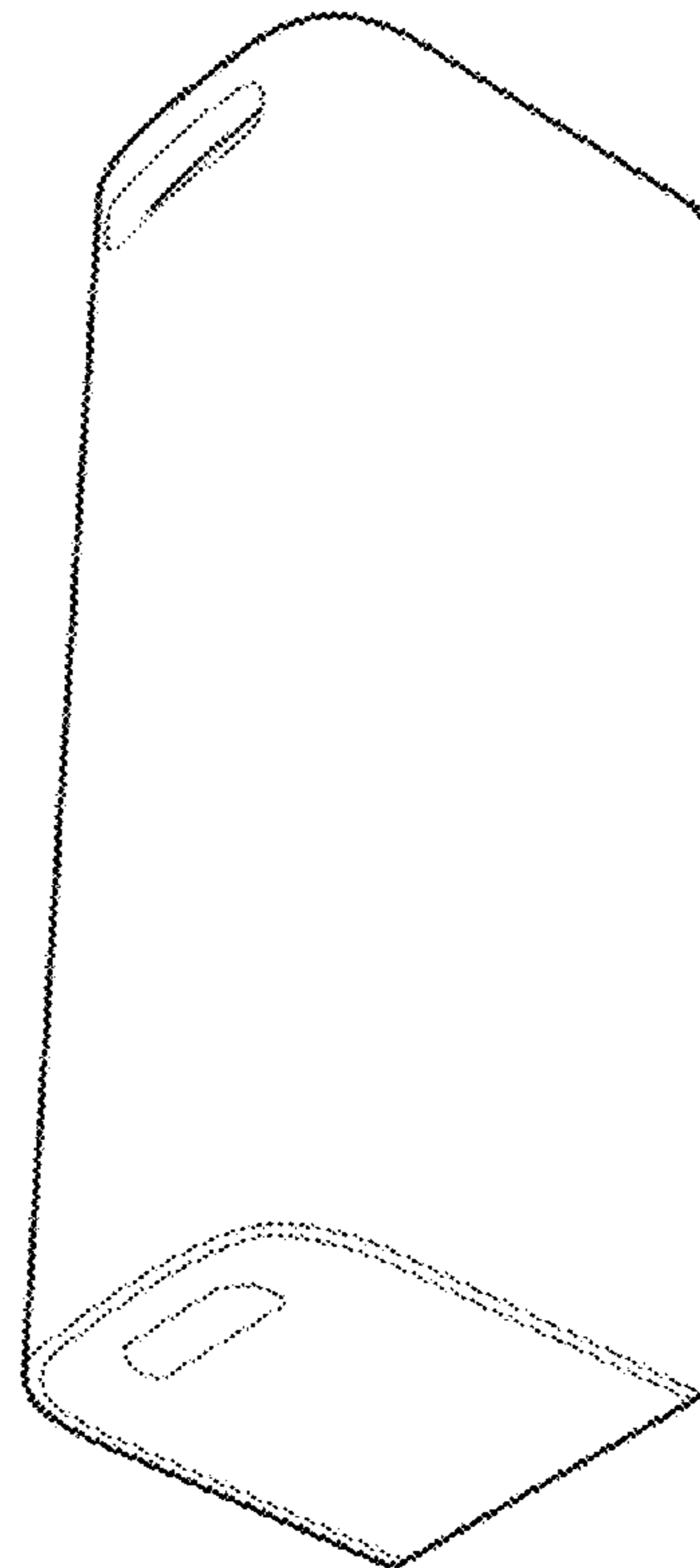


FIG. 15



FIG. 16

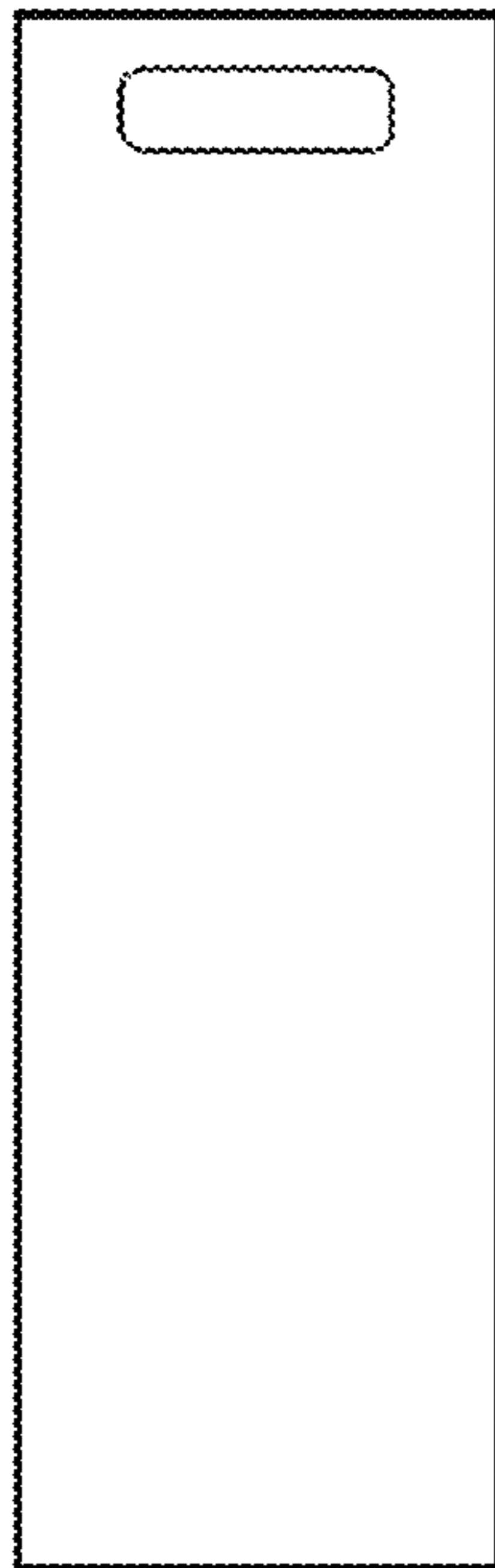


FIG. 17

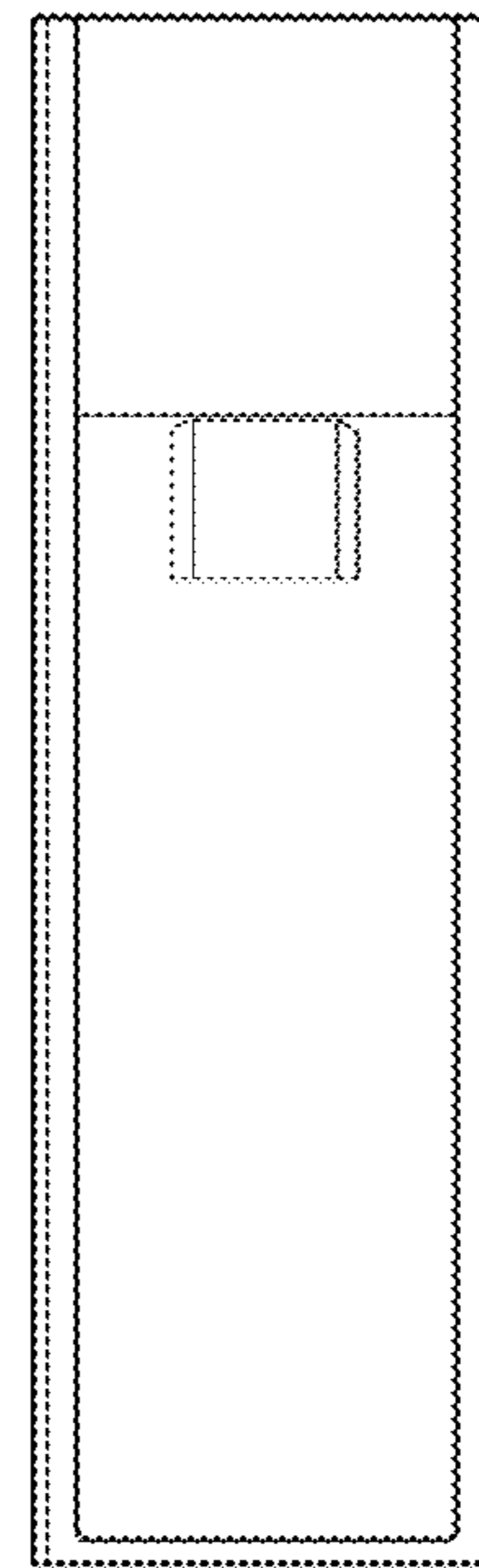


FIG. 18

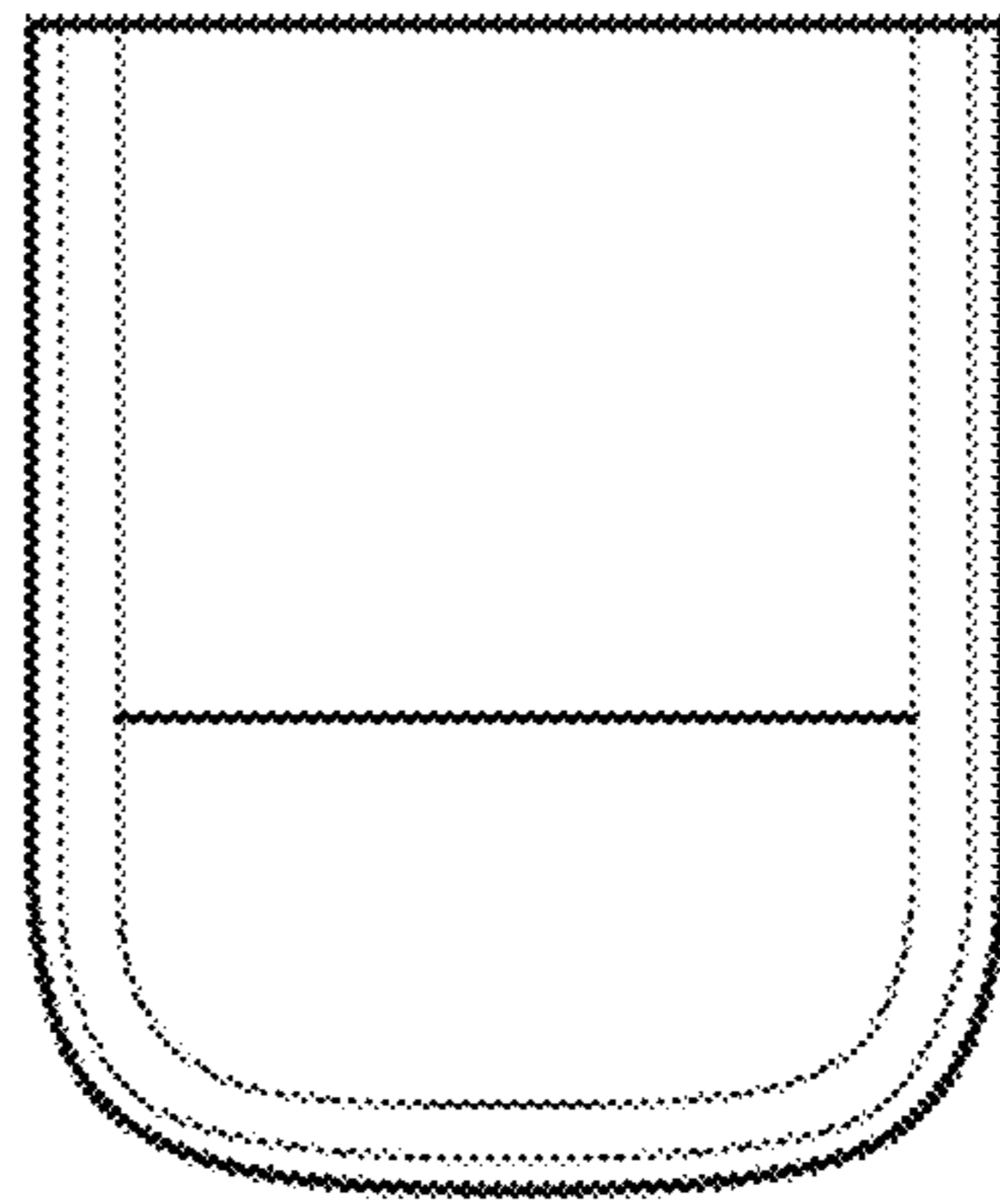


FIG. 19