

US00D731771S

(12) **United States Design Patent**
Spring

(10) **Patent No.:** **US D731,771 S**
(45) **Date of Patent:** **** Jun. 16, 2015**

(54) **FOOTWEAR**

(71) Applicant: **Sorel Corporation**, Portland, OR (US)

(72) Inventor: **Angie Spring**, Portland, OR (US)

(73) Assignee: **Sorel Corporation**, Portland, OR (US)

(**) Term: **14 Years**

(21) Appl. No.: **29/470,302**

(22) Filed: **Oct. 18, 2013**

(51) **LOC (10) Cl.** **02-99**

(52) **U.S. Cl.**
USPC **D2/971**

(58) **Field of Classification Search**
USPC D2/896, 910-912, 925-942, 964, 971
CPC A43B 21/00; A43B 21/02; A43B 21/06;
A43B 9/14
See application file for complete search history.

D105,289 S *	7/1937	Livingston	D2/910
D112,996 S *	1/1939	Hosker	D2/935
D481,863 S *	11/2003	Belley et al.	D2/970
D581,140 S *	11/2008	Earle	D2/910
D637,385 S *	5/2011	Spring	D2/970
D672,540 S *	12/2012	Lagerfeld	D2/935
D673,762 S *	1/2013	Spring	D2/911
D679,491 S *	4/2013	Issler	D2/971
D701,686 S *	4/2014	Holloway et al.	D2/971
D706,522 S *	6/2014	Guers-Neyraud	D2/929
D707,944 S *	7/2014	Spring	D2/971
D709,685 S *	7/2014	Spring	D2/971
D720,921 S *	1/2015	Spring	D2/971
D725,876 S *	4/2015	Spring	D2/910

* cited by examiner

Primary Examiner — Dominic Simone

(74) *Attorney, Agent, or Firm* — Schwabe, Williamson & Wyatt, P.C.

(57) **CLAIM**

I claim the ornamental design for footwear, as shown and described.

DESCRIPTION

FIG. 1 is a perspective view of footwear, showing my new design;
FIG. 2 is a left side view thereof;
FIG. 3 is a right side view thereof;
FIG. 4 is a top view thereof;
FIG. 5 is a bottom view thereof;
FIG. 6 is a front view thereof; and,
FIG. 7 is a back view thereof.
The dashed lines are included for illustrating environmental structure and form no part of the claimed design.

1 Claim, 5 Drawing Sheets

(56) **References Cited**

U.S. PATENT DOCUMENTS

D64,104 S *	2/1924	Kezy	D2/911
D83,593 S *	3/1931	Bitgood	D2/911
D87,096 S *	5/1932	Van Dinter	D2/911
D91,483 S *	2/1934	Ellington	D2/932
D94,266 S *	1/1935	Garside, Jr.	D2/911
D94,430 S *	1/1935	Levin	D2/937
D95,204 S *	4/1935	Haflin	D2/931
D95,491 S *	5/1935	Doring	D2/937
D100,136 S *	6/1936	Troy	D2/912
D103,590 S *	3/1937	Perugia	D2/935
D103,591 S *	3/1937	Perugia	D2/910
D105,061 S *	6/1937	Odencrants	D2/939



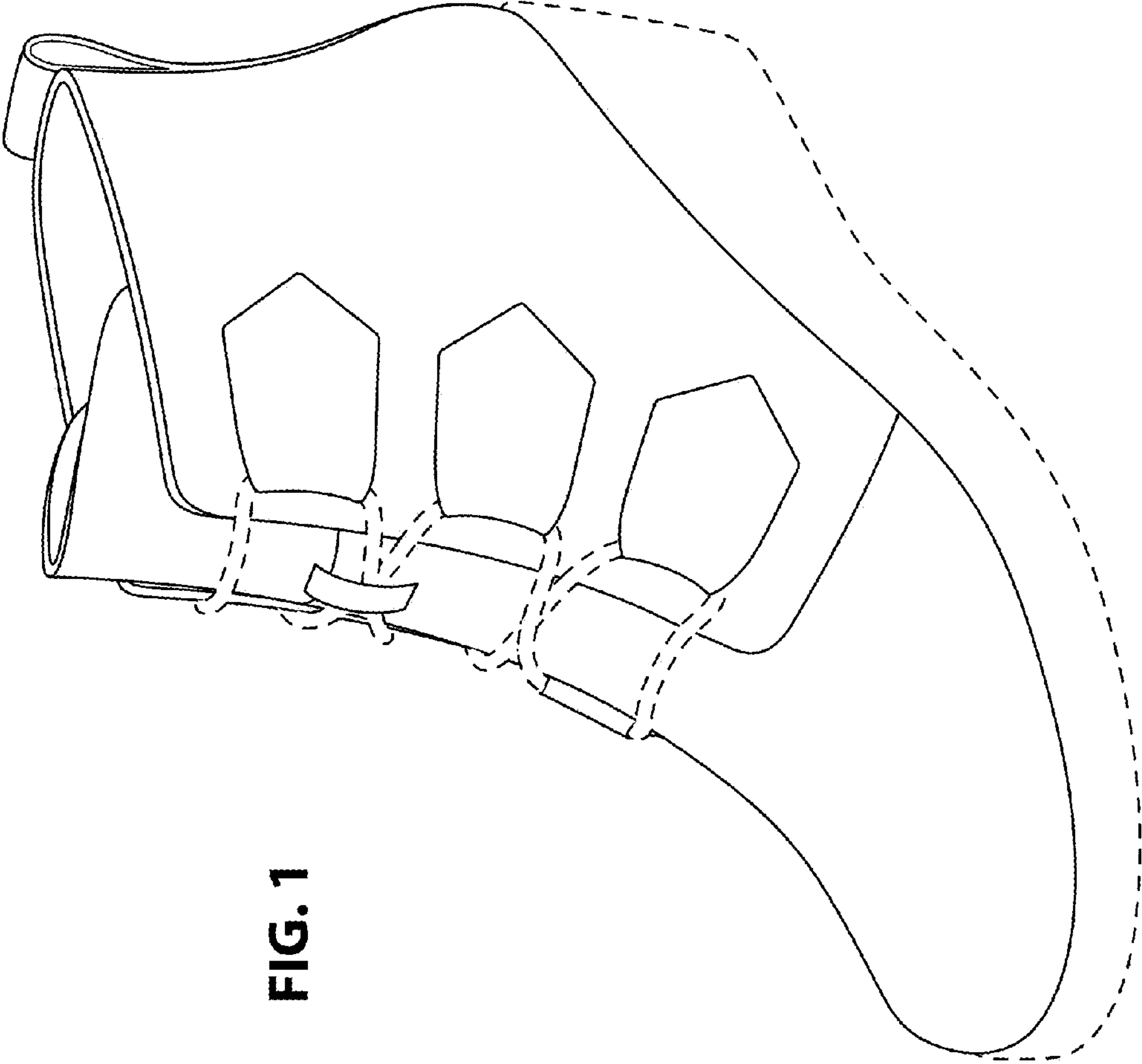
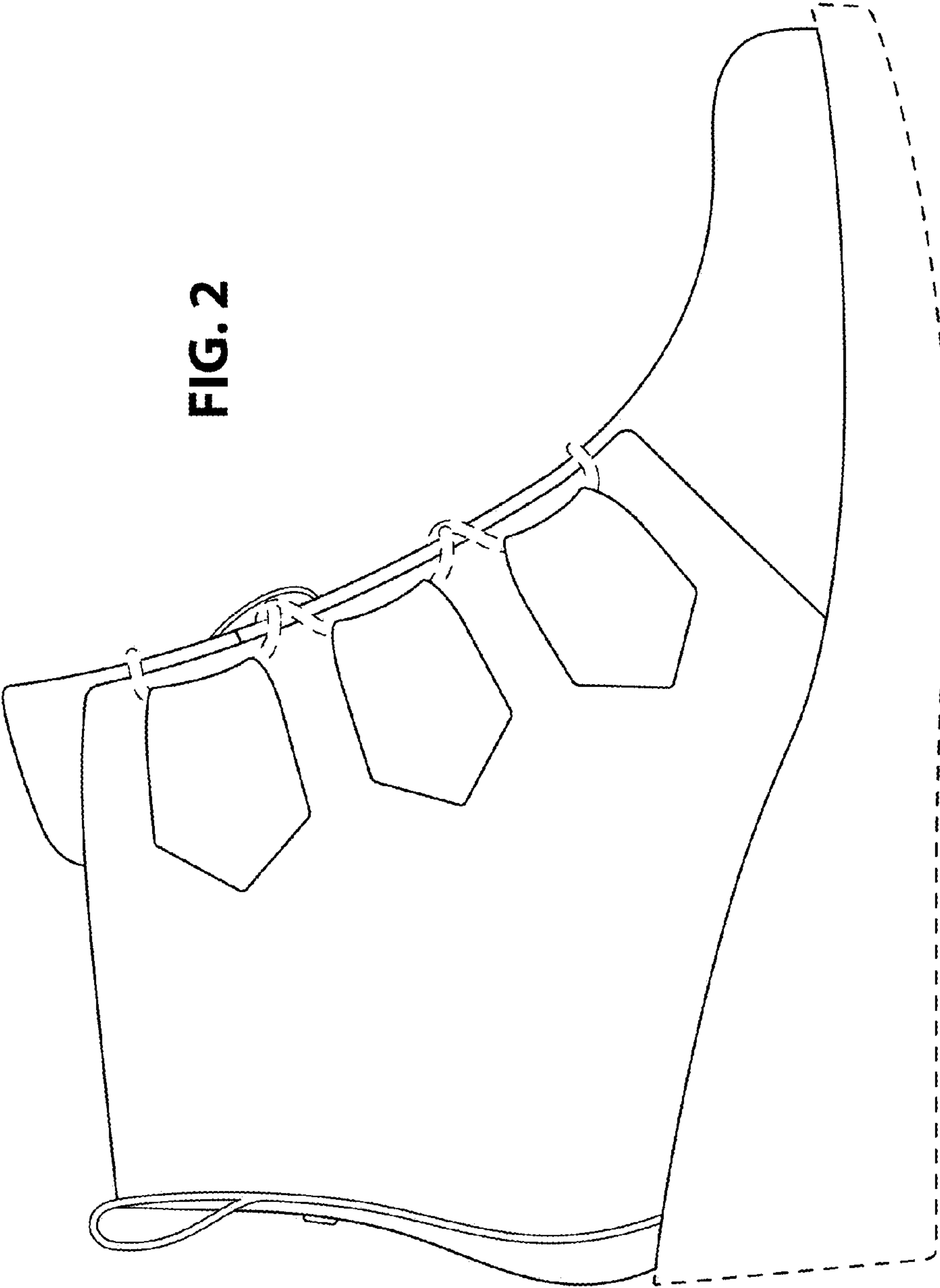


FIG. 1

FIG. 2



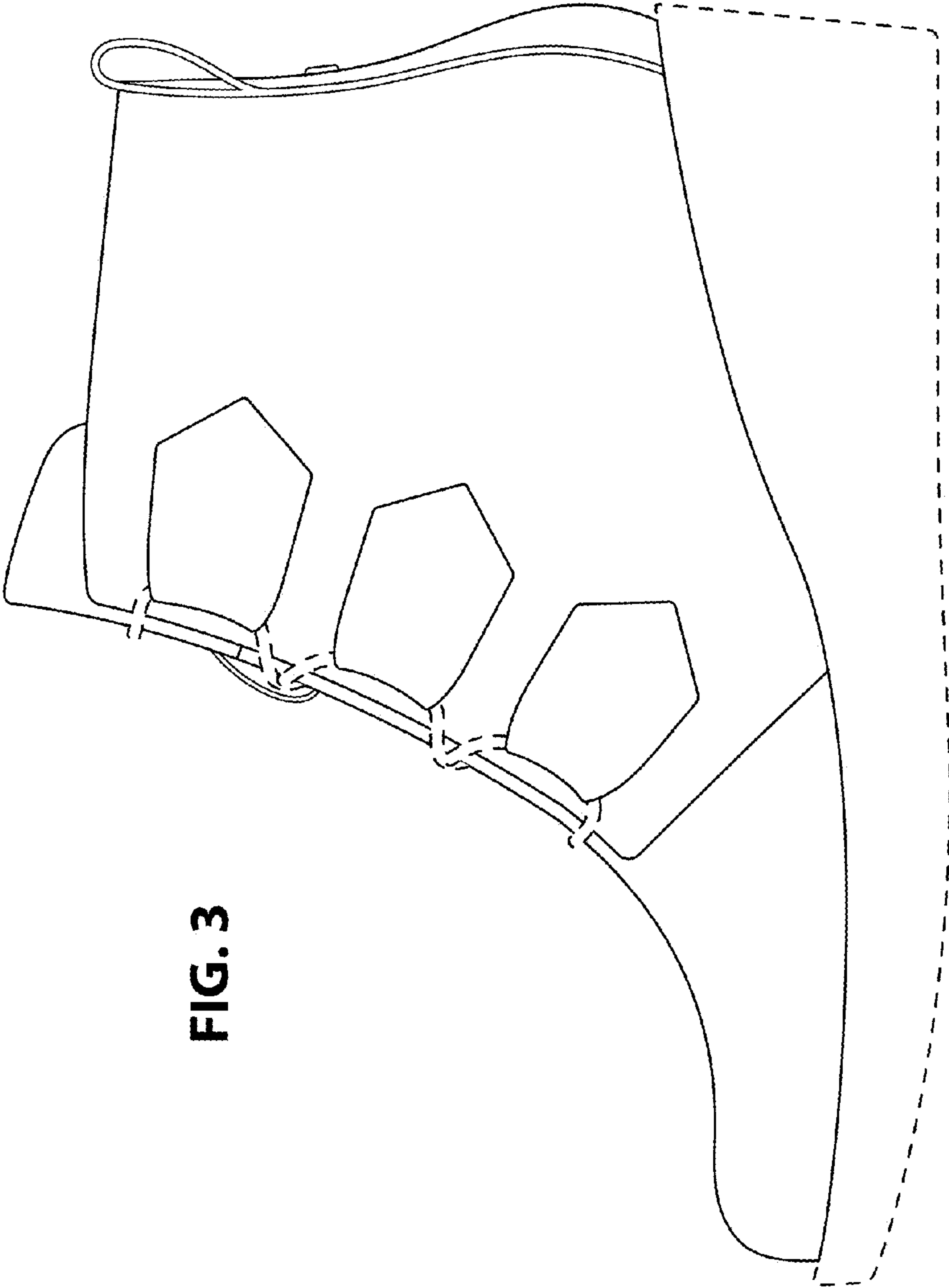


FIG. 3

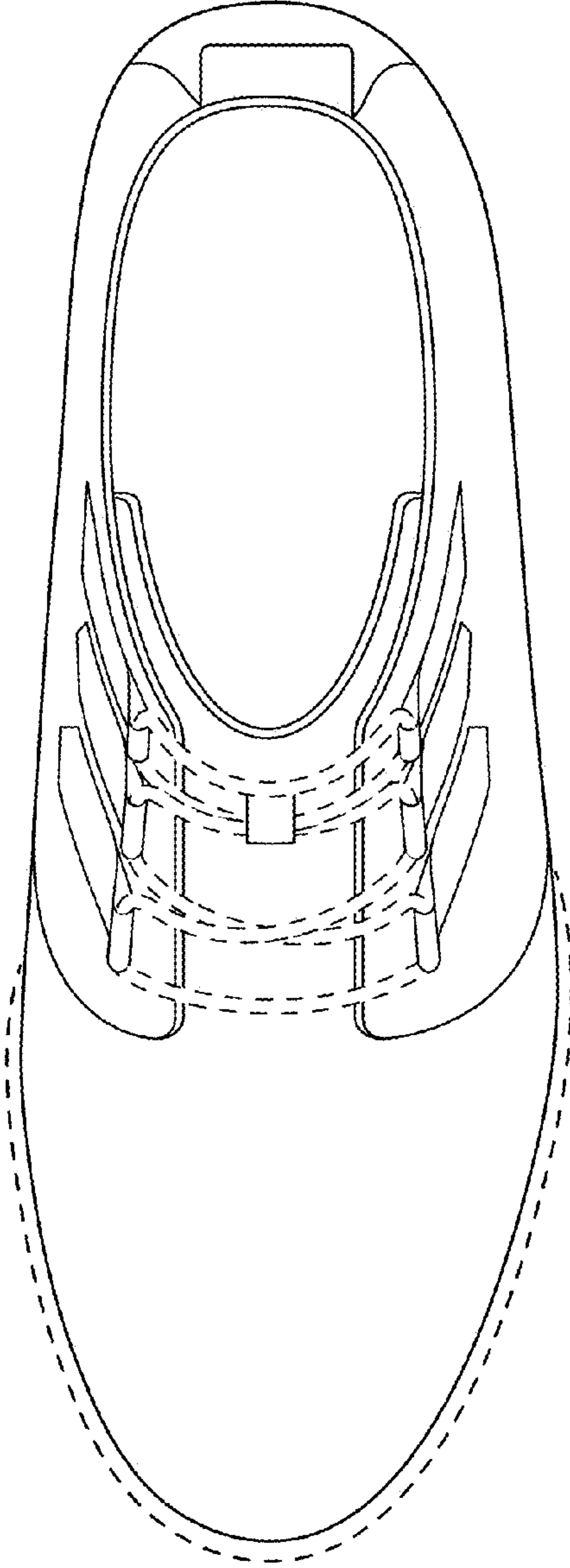


FIG. 4

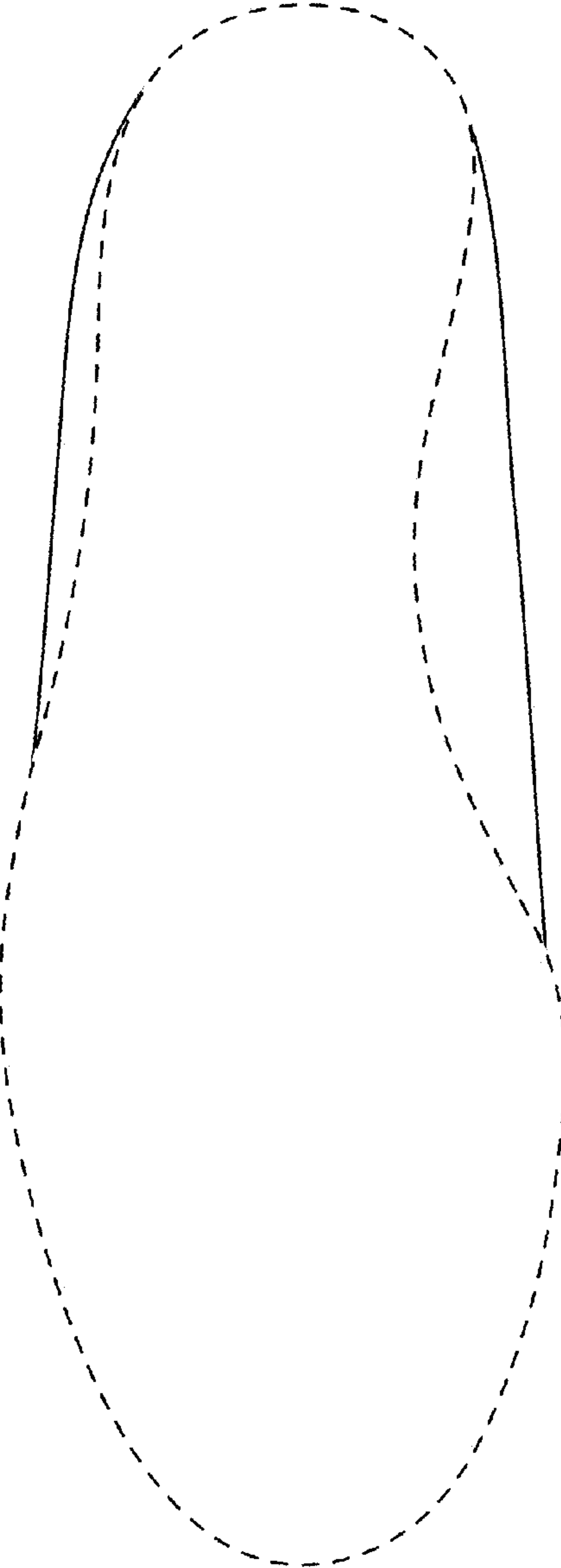


FIG. 5

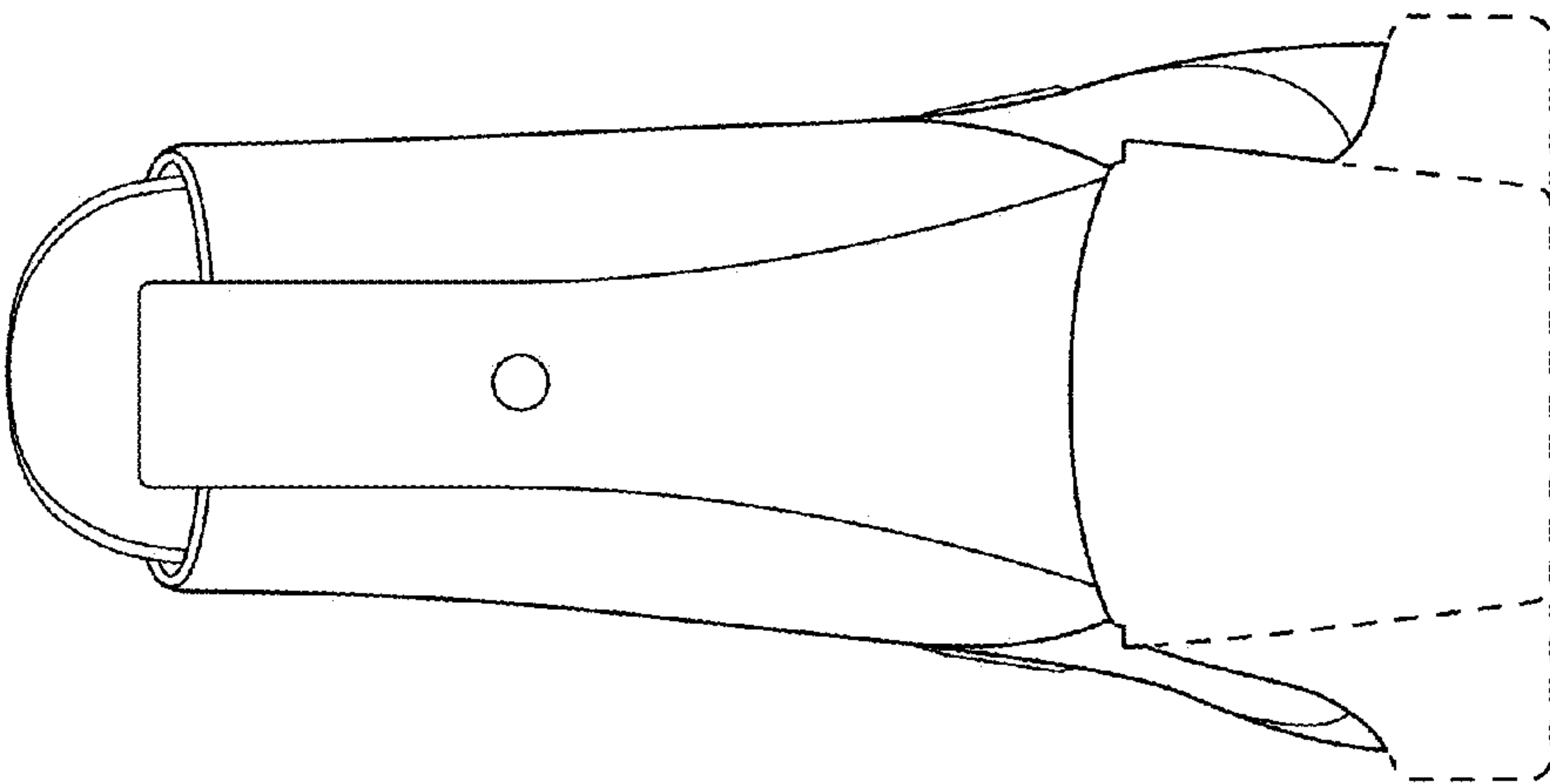


FIG. 7

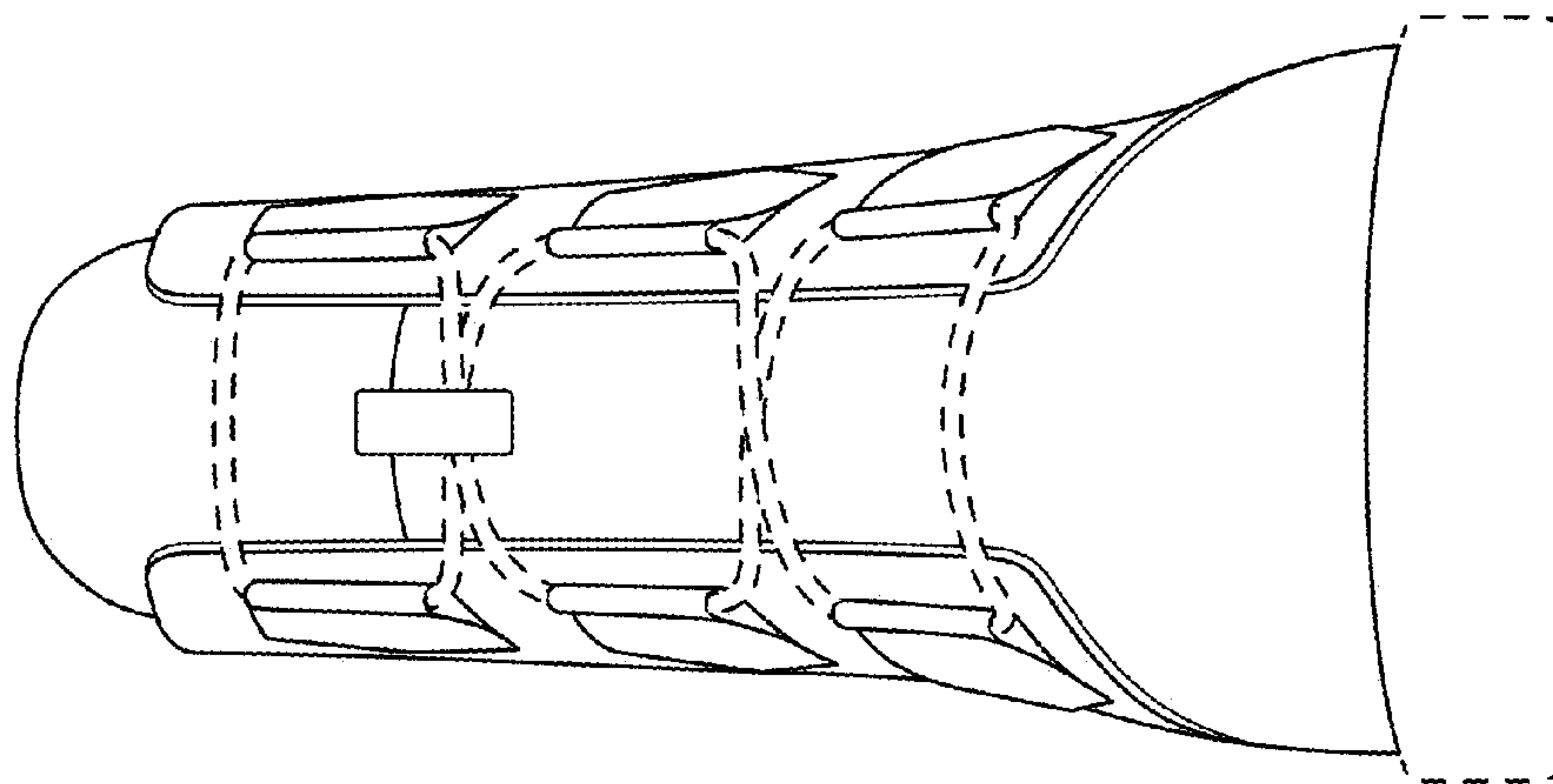


FIG. 6