



US00D731761S

(12) **United States Design Patent**  
**Carroll et al.**

(10) **Patent No.:** **US D731,761 S**  
(45) **Date of Patent:** **\*\* Jun. 16, 2015**

(54) **CANVAS SHOE WITH TOE COVER,  
DECORATIVE SINGLE STITCHING AND  
TWO DECORATIVE FOXING STRIPES  
ALONG THE SOLE**

D555,332 S \* 11/2007 Liles ..... D2/902  
D555,333 S \* 11/2007 Riebesell ..... D2/902  
D590,138 S \* 4/2009 Cofinco ..... D2/902

(Continued)

(71) Applicant: **Payless Shoesource Worldwide, Inc.,**  
Topeka, KS (US)

**OTHER PUBLICATIONS**

Converse Chuck Taylor All Star, dated 2011.

(Continued)

(72) Inventors: **Robert Michael Carroll**, Lawrence, KS  
(US); **Jodi Elizabeth Myers Carrier**,  
White Plains, NY (US)

*Primary Examiner* — Elizabeth J Oswecki

(74) *Attorney, Agent, or Firm* — Proskauer Rose LLP

(73) Assignee: **Payless Shoesource Worldwide, Inc.,**  
Topeka, KS (US)

(57) **CLAIM**

(\*\*) Term: **14 Years**

The ornamental design for a canvas shoe with toe cover,  
decorative single stitching and two decorative foxing stripes  
along the sole, as shown and described.

(21) Appl. No.: **29/437,614**

**DESCRIPTION**

(22) Filed: **Nov. 19, 2012**

(51) **LOC (10) Cl.** ..... **02-04**

(52) **U.S. Cl.**  
USPC ..... **D2/907**

(58) **Field of Classification Search**  
USPC ..... D2/896, 902, 905, 906, 907, 908, 909,  
D2/910, 911, 912, 943, 944, 945, 946, 947,  
D2/953, 972, 977; 36/83, 113, 114, 115,  
36/116, 126–131, 136, 137, 3 A, 25 R,  
36/32 R, 45, 57

See application file for complete search history.

FIG. 1 is a right side perspective view of a first embodiment of  
a canvas shoe with toe cover, decorative single stitching and  
two decorative foxing stripes along the sole showing our new  
design;

FIG. 2 is a top plan view thereof;

FIG. 3 is a right side view thereof;

FIG. 4 is a bottom plan view thereof;

FIG. 5 is a left side view thereof;

FIG. 6 is a rear elevation view thereof;

FIG. 7 is a right side perspective view of a second embodi-  
ment of a canvas shoe with toe cover, decorative single stitch-  
ing and two decorative foxing stripes along the sole showing  
our new design;

FIG. 8 is a top plan view thereof;

FIG. 9 is a right side view thereof;

FIG. 10 is a bottom plan view thereof;

FIG. 11 is a left side view thereof; and,

FIG. 12 is a rear elevation view thereof.

The broken lines shown on the shoe represent thread stitch-  
ing.

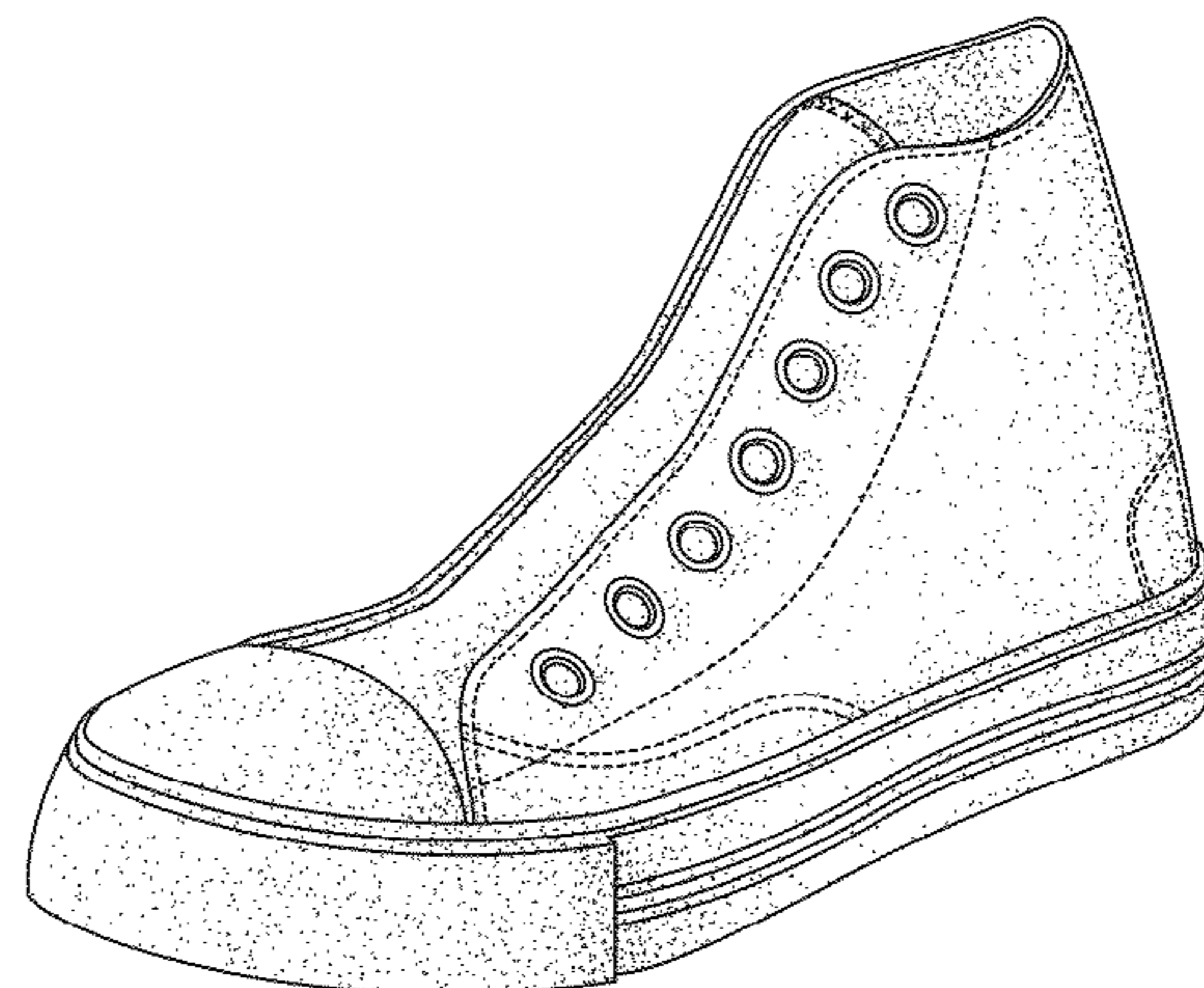
All surfaces not shown form no part of the claimed design.

(56) **References Cited**

**U.S. PATENT DOCUMENTS**

1,581,783 A \* 4/1926 Bullock ..... 36/89  
1,708,156 A \* 4/1929 Scroggins ..... 36/89  
1,952,628 A \* 3/1934 MacDonald ..... 36/4  
D173,030 S \* 9/1954 Hoza ..... D2/902  
2,994,972 A \* 8/1961 Blair ..... 36/92  
3,613,273 A \* 10/1971 Marquis ..... 36/89  
D233,805 S \* 12/1974 Kubo ..... D2/902  
D273,244 S \* 4/1984 Norton et al. .... D2/902  
D279,139 S \* 6/1985 Gamm ..... D2/902  
4,584,783 A \* 4/1986 Dobbin ..... 36/50.1

**1 Claim, 6 Drawing Sheets**



(56)

References Cited

U.S. PATENT DOCUMENTS

D590,579	S *	4/2009	Cofinco	.....	D2/902
D611,240	S *	3/2010	Choi	.....	D2/969
D615,734	S *	5/2010	Di Nucci	.....	D2/907
D634,519	S *	3/2011	Choi	.....	D2/902
D634,520	S *	3/2011	Choi	.....	D2/902
D641,546	S *	7/2011	Choi	.....	D2/969
D641,963	S *	7/2011	Choi	.....	D2/969
D656,715	S *	4/2012	Katz et al.	.....	D2/902
D665,562	S *	8/2012	Di Nucci	.....	D2/902
D670,479	S *	11/2012	Maier	.....	D2/907
D681,314	S *	5/2013	Dumain	.....	D2/902
D701,680	S *	4/2014	Della Valle et al.	.....	D2/902
D702,024	S *	4/2014	Della Valle et al.	.....	D2/902
D702,423	S *	4/2014	Della Valle et al.	.....	D2/902

OTHER PUBLICATIONS

PF Flyers, Source: Zappos.com <http://www.zappos.com/multiview/7742896/291927> (last visited Mar. 29, 2012).

PF Flyer Kids Center Hi (toddler/youth), dated 2012.

Pro-Keds Unisex Royal Hi Leather Sneaker, 2012.

1925 Keds Advertisement, dated 1925.

Keds<sub>7</sub>, Source: *Old Sneakers—1934 Keds*, Charlie's Sneaker Pages, <http://sneakers.pair.com/o-34keds.htm> (last visited Mar. 1, 2012).

Spalding, Source: *Sports Memorabilia Museum—Basketball History*, <http://www.sportsmemorabilia-museum.com/basketballhistory/1930s-spalding-basketball-shoes.shtml> (last visited Mar. 1, 2012).

Sears Source: *Old Sneakers—1946 Basketball High—Tops*, Charlie's Sneaker Pages, <http://sneakers.pair.com/o-46high.htm> (last visited Mar. 1, 2012).

Levi's Source: Zappos.com, <http://www.zappos.com/multiview/7832429/3> (last visited Mar. 29, 2012).

Crocs Source: 6pm.com, <http://www.6pm.com/multiview/7818893/16191> (last visited Mar. 29, 2012).

Keen Source: Zappos.com, <http://www.zappos.com/multiview/7490213/218884> (last visited Mar. 29, 2012).

Prada Source: Bluefly.com, [http://www.bluefly.com/prada-pradasport-petrol-velvet-cap-toesneakers/PRODUCT\\_FEED/315295801/detail.fly](http://www.bluefly.com/prada-pradasport-petrol-velvet-cap-toesneakers/PRODUCT_FEED/315295801/detail.fly) (last visited Mar. 29, 2012).

Pony Shooter, '78 Source: Amazon.com, <http://www.amazon.com/Pony-Mens-Shooter-Canvas-Cream/dp/B000AXMIXY>, (last visited Mar. 29, 2012).

Diesel II, dated 2012.

Burberry Check Lace-Up Sneaker, <http://shop.norstrom.com/s/burberry-check-lace-up-sneaker/2964612>[Apr. 2, 2012 11:17:29 AM].

Calvin Klein Jeans Len, <http://www.zappos.com/multiview/7841091/4854>[Apr. 2, 2012 11:15:46 AM].

Coach: Bonny Sneaker, <http://www.coach.com/...eaker&price=11800&style=Q1456&size=null&color=KHAKI/SILVER%20MLTCOLOR&colorString=amy>[Apr. 2, 2012 11:16:37 AM].

Zappos.com, Ed Hardy Devinette, 2012.

Zappos.com, Ed Hardy Highrise, 2012.

Belstaff 'Jair' High Top Trainer, 2012.

Juicy Couture, 6PM.com, 2012.

Montauk High-Top Sneaker, [http://ralphlauren.com/product/index.jsp?productId=12571509&utm\\_medium=feeds&utm\\_source=RLGoole%2BShopping&utm\\_campaign=Product%2BSearch](http://ralphlauren.com/product/index.jsp?productId=12571509&utm_medium=feeds&utm_source=RLGoole%2BShopping&utm_campaign=Product%2BSearch)[Apr. 2, 2012 11:11:18:59 AM].

Skechers Kids Twinkles Toes—S Lights—Shuffles—Lightening Hearts, <http://www.zappos.com/multiview/7752294/276341>[Apr. 2, 2012 11:25:48 AM].

Stride Rite, 6PM.com, 2012.

Sanrio Hello Kitty Hi Top Color Canvas Shoes Vivitix, 2012.

Diane Von Furstenberg for GAP Printed DVF Hearts Women<sub>7</sub>, <http://www.ebay.com/itm/Diane-Von-Furstenburg-GAP-Printed-DVF-Hearts-Hi-Tops-Shoes-SIZE-Kids5-Women7-/130673443490#vi-content>[Apr. 2, 2012 11:21:17 AM].

Civic Duty 'Illumination' Sneaker, 2012.

Advertisement showing P.F. Shoes made by B.F. Goodrich and Hood; undated, believed to be available in 1950; 1 page.

Original PRO-Keds 69er; undated, believed to be available in 1970; 1 page.

Spaulding SS advertisement showing its signature orange sole; undated, believed to be available in 1970; 1 page.

\* cited by examiner





FIG. 1

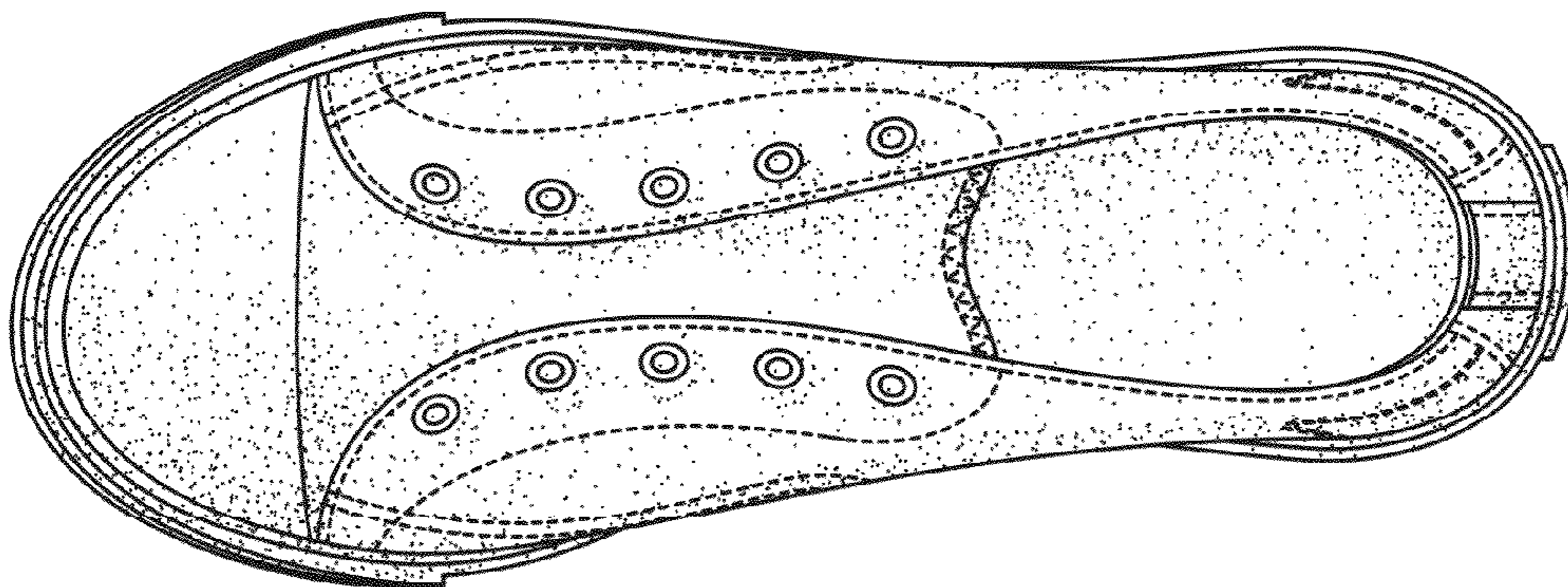


FIG. 2

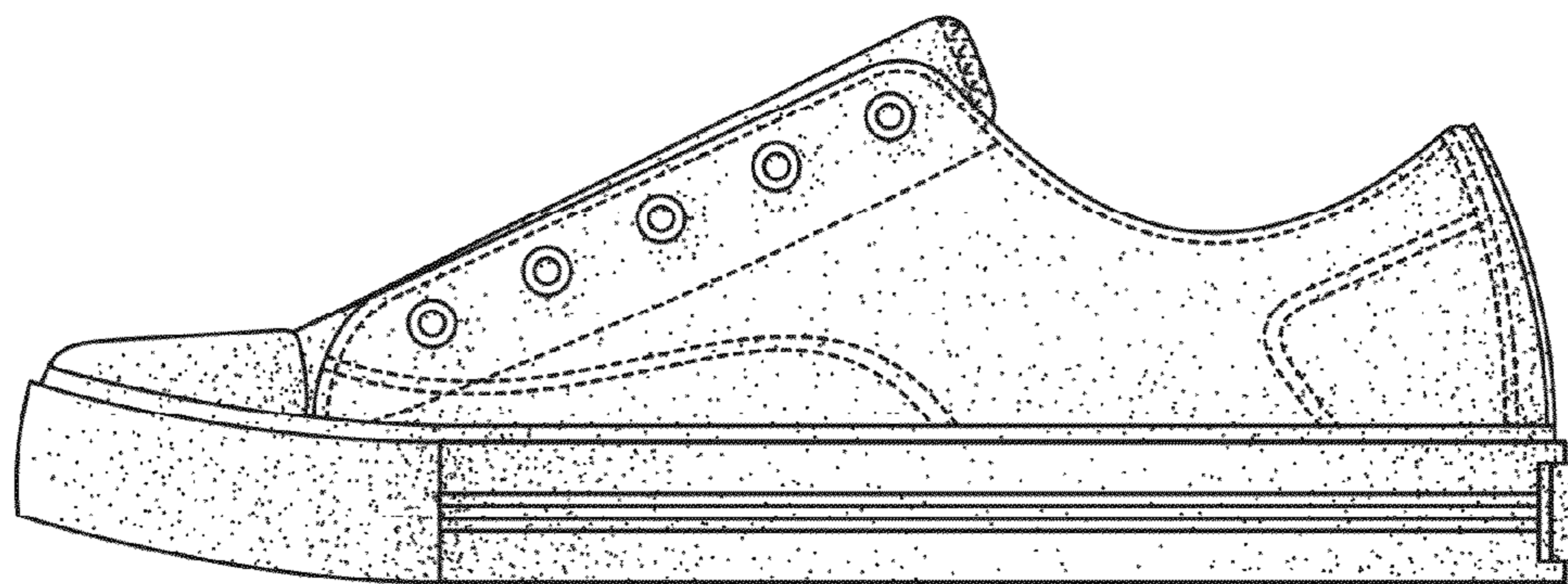


FIG. 3

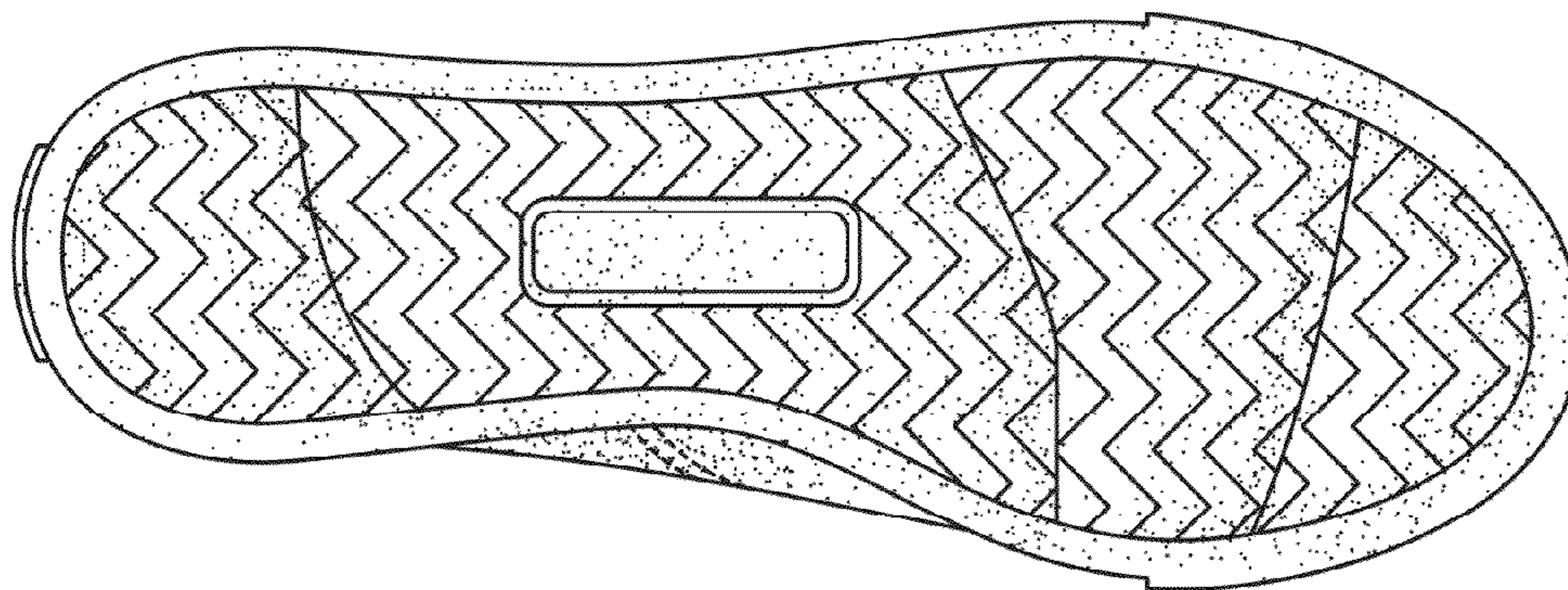


FIG. 4



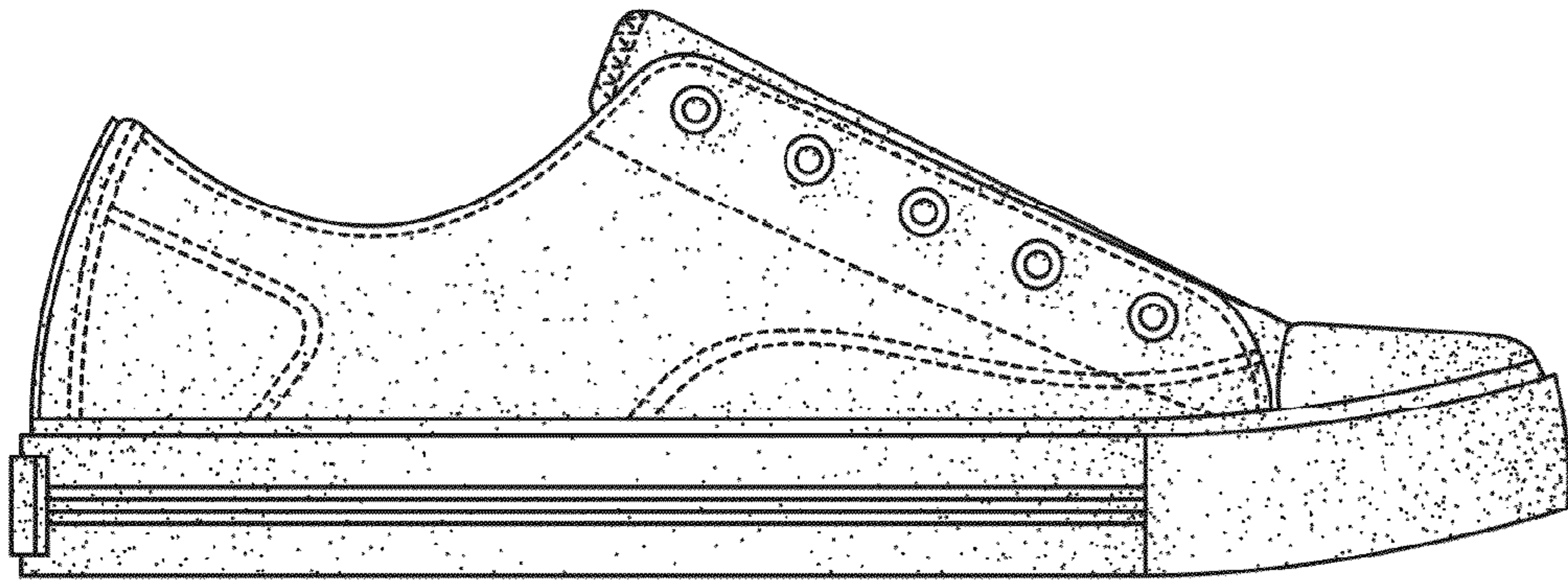


FIG. 5

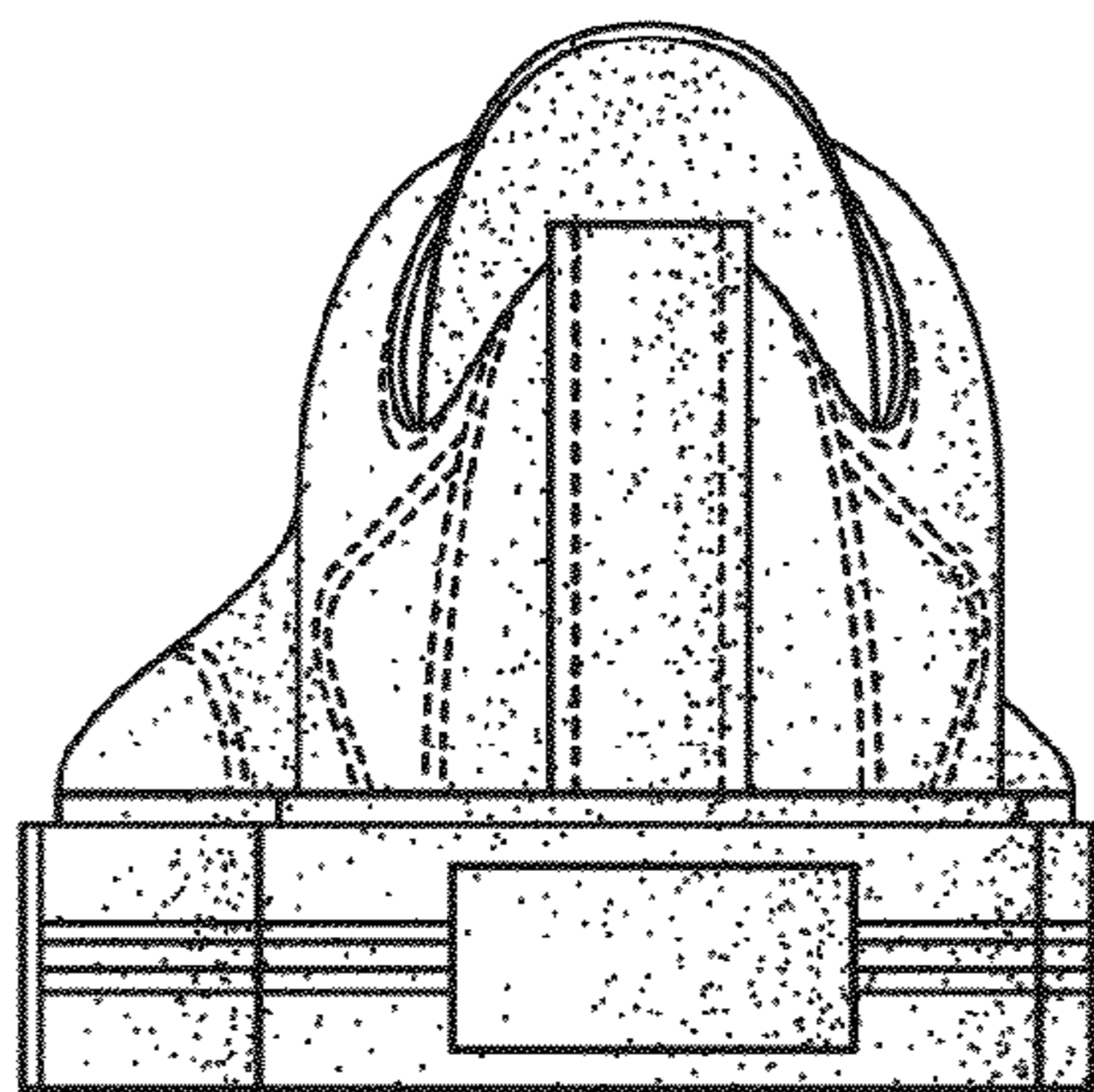


FIG. 6

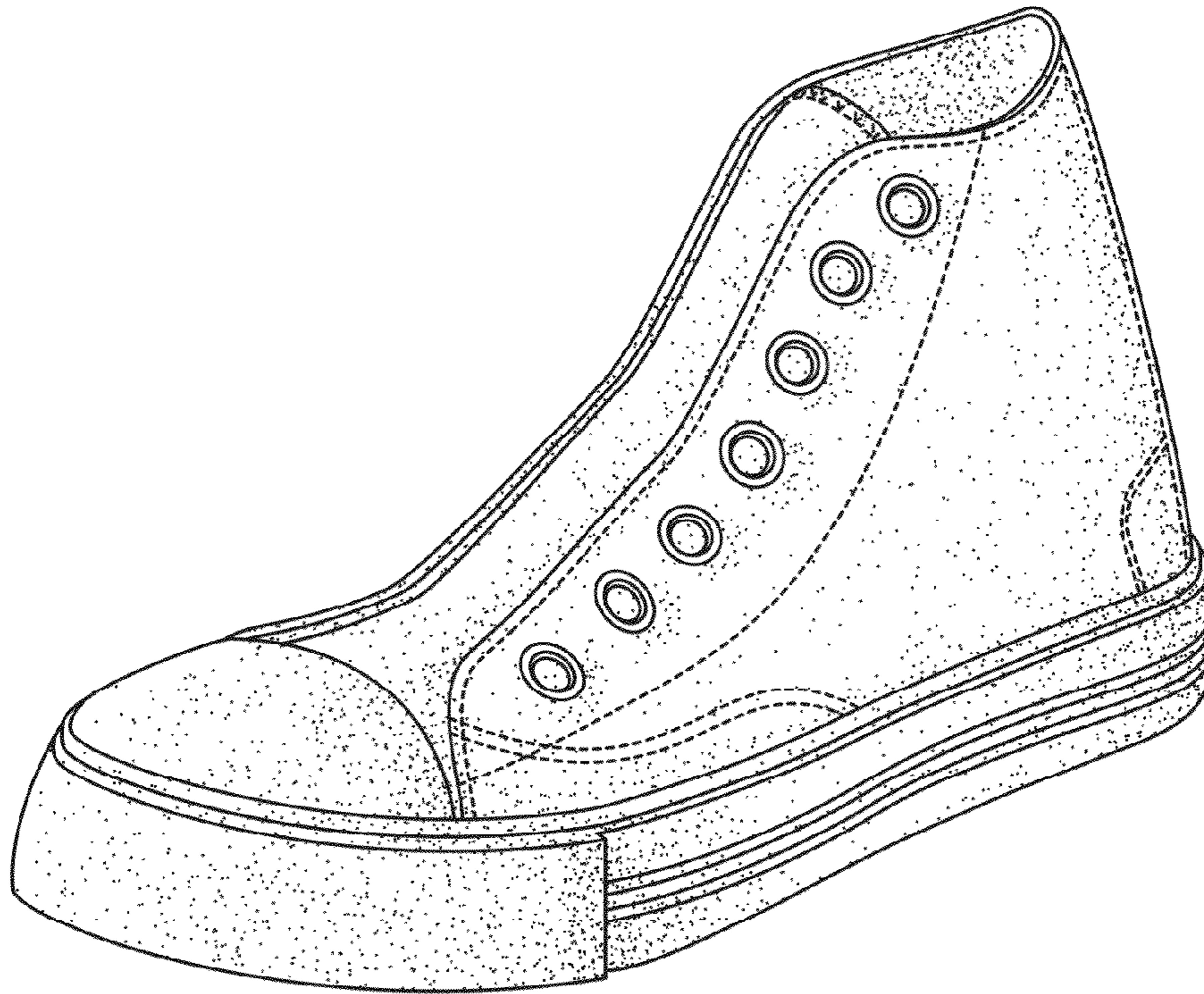


FIG. 7

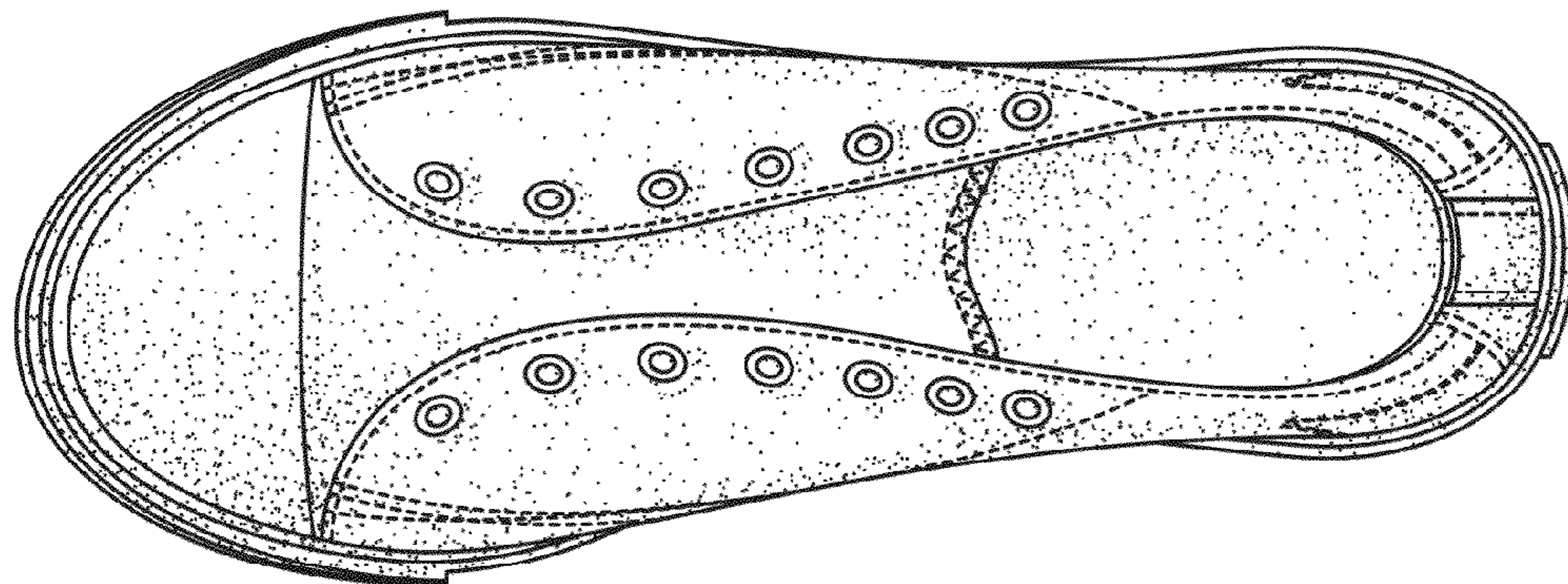


FIG. 8



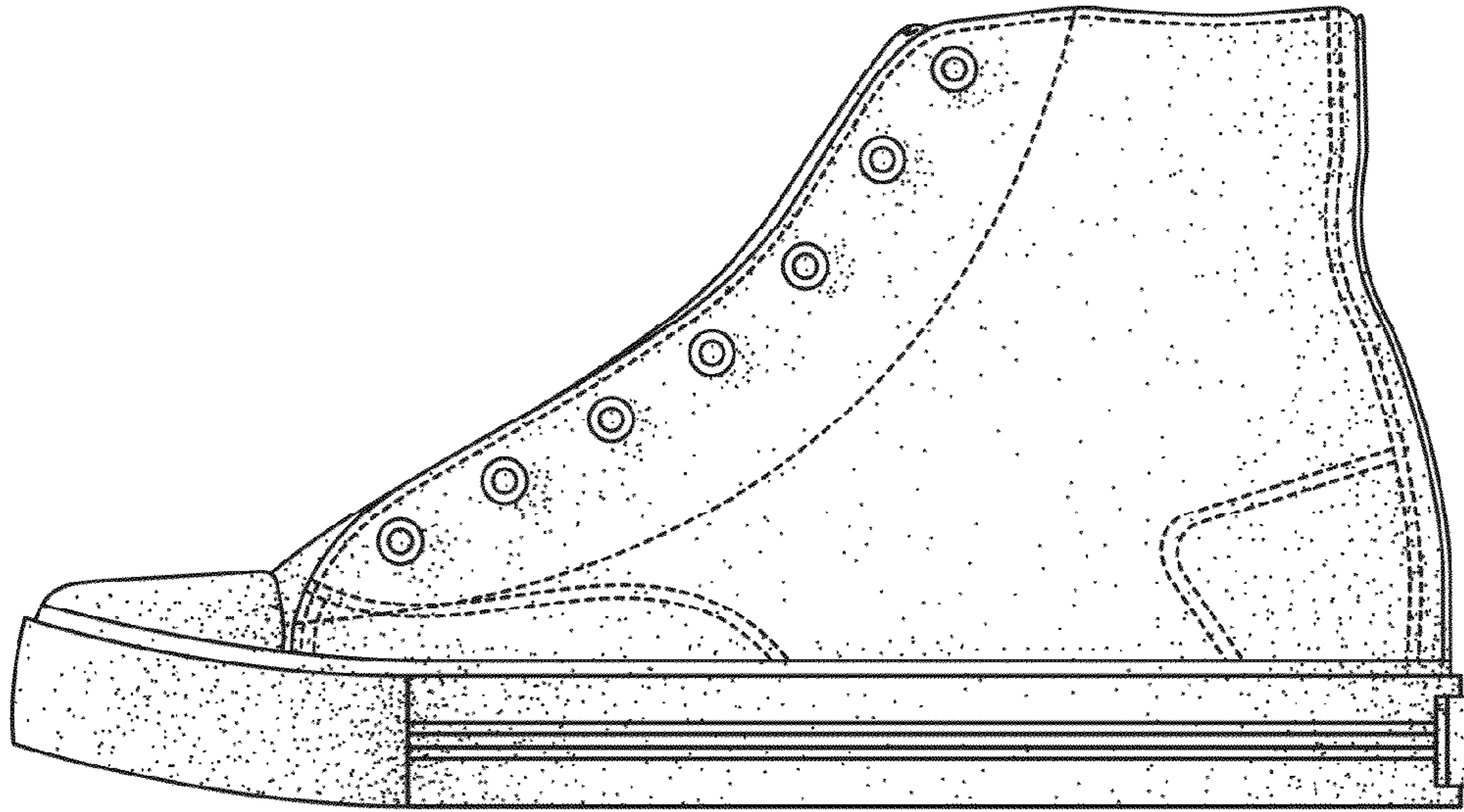


FIG. 9

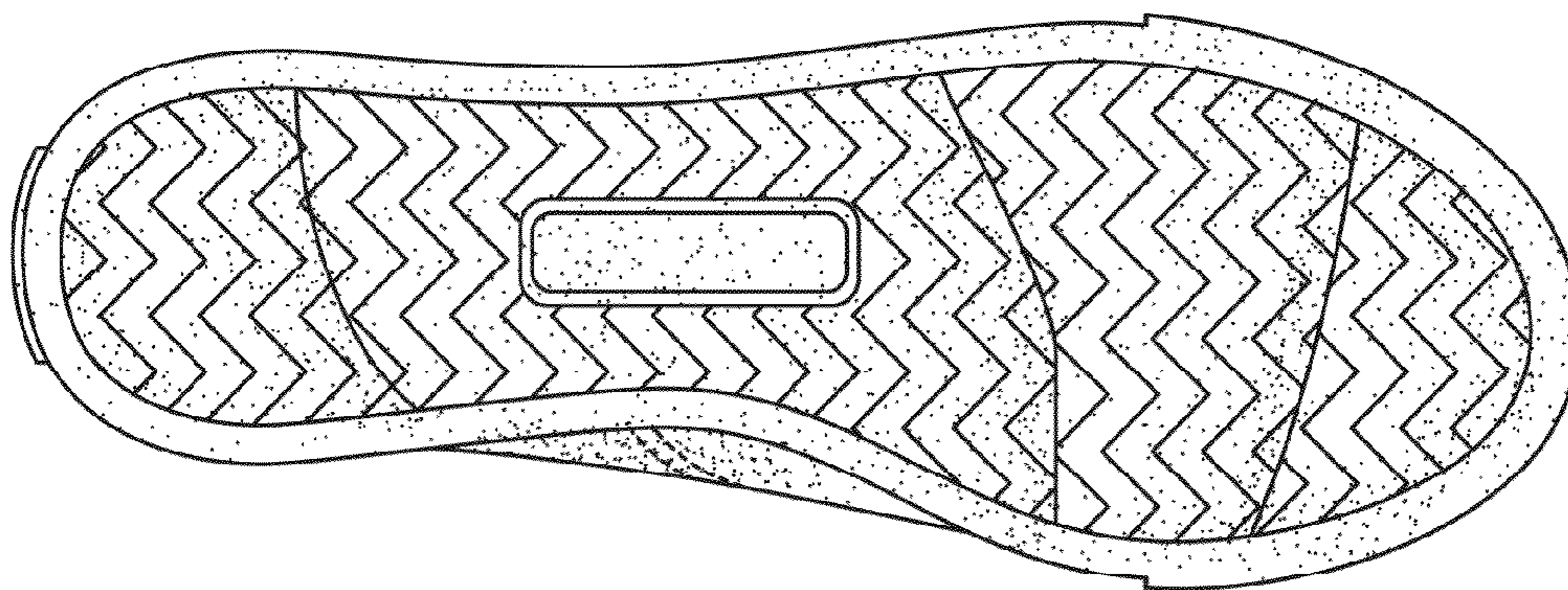


FIG. 10

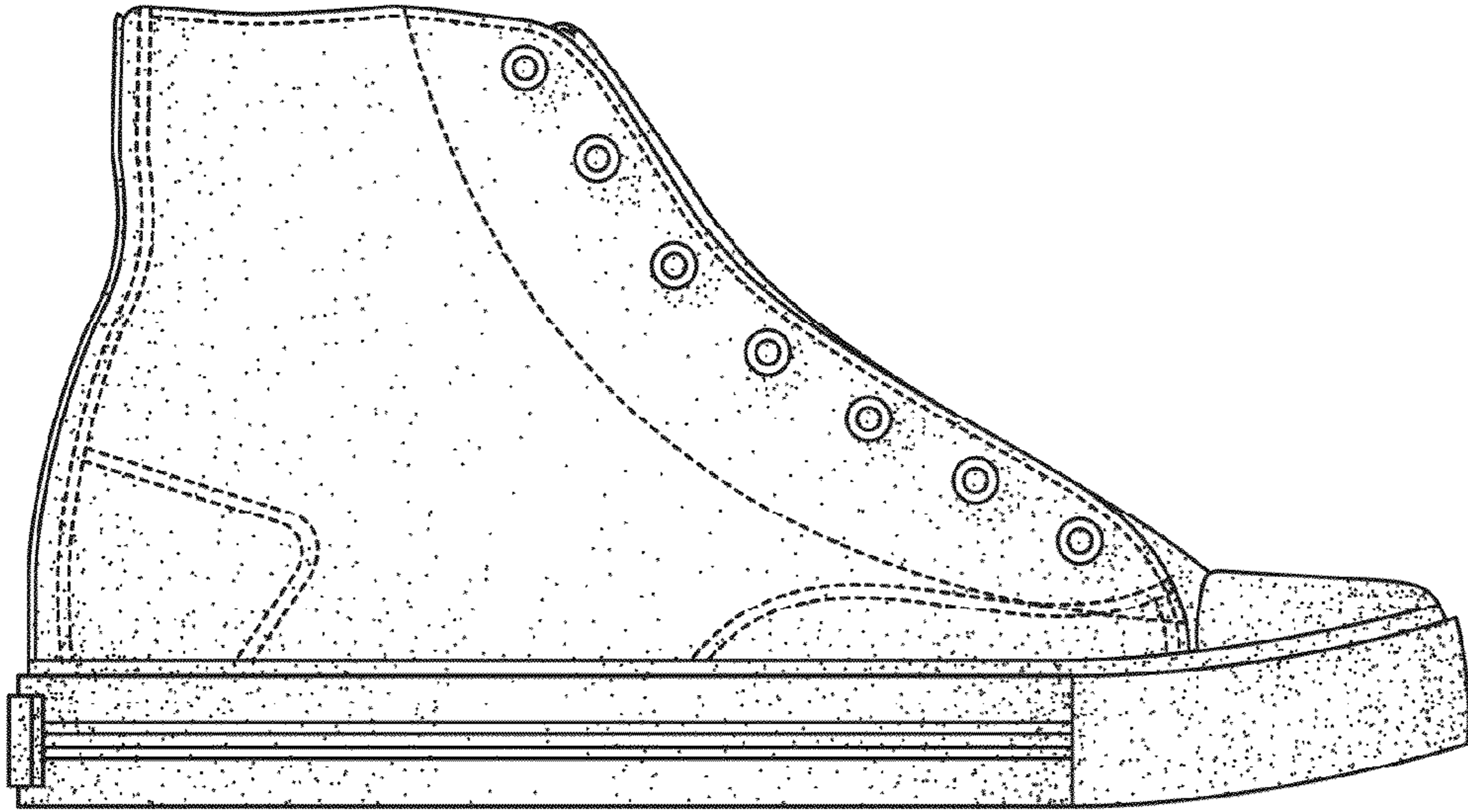


FIG. 11

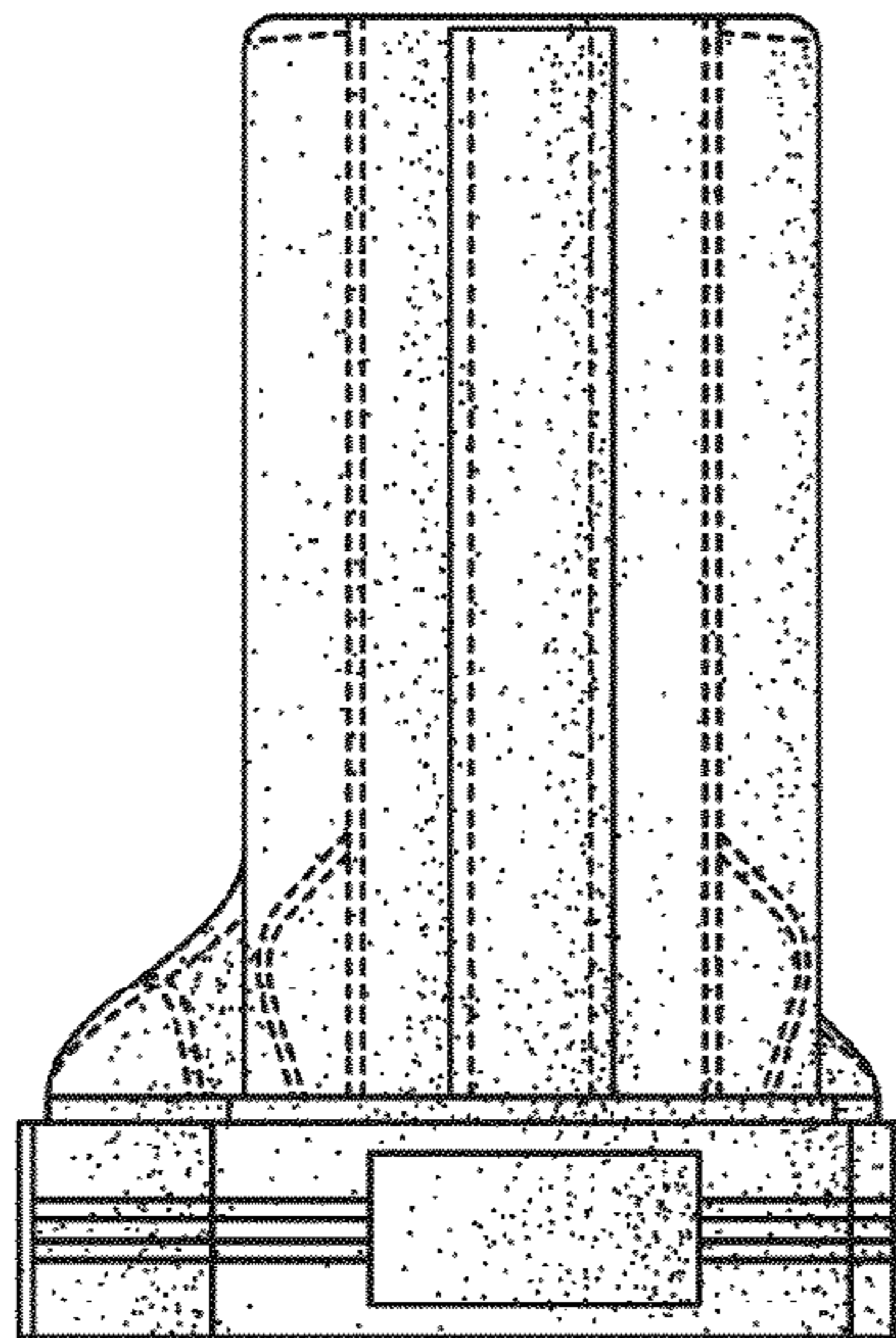


FIG. 12