



US00D731754S

(12) **United States Design Patent**
Graham et al.

(10) **Patent No.:** **US D731,754 S**
(45) **Date of Patent:** **** Jun. 16, 2015**

(54) **GARMENT SET WITH BREAK-AWAY
PANELS**

(71) Applicants: **Daniel L. Graham**, Benton, AR (US);
Jaelyn A. Andrada, Benton, AR (US)

(72) Inventors: **Daniel L. Graham**, Benton, AR (US);
Jaelyn A. Andrada, Benton, AR (US)

(**) Term: **14 Years**

(21) Appl. No.: **29/466,771**

(22) Filed: **Sep. 11, 2013**

(51) **LOC (10) Cl.** **02-02**

(52) **U.S. Cl.**
USPC **D2/745; D2/720**

(58) **Field of Classification Search**
USPC D2/712, 714, 715, 717-718, 720, 731,
D2/733, 738, 742, 743, 744, 745, 747, 748,
D2/750, 776, 833, 840, 841, 901; 2/22, 23,
2/71, 72, 75, 79, 80, 87, 90, 94, 95, 106,
2/108, 113, 114, 115, 121, 227, 228, 238,
2/242, 900, 912, 911
CPC . A41D 1/06; A41D 2400/44; A41D 2400/70;
A41D 13/12; A41D 13/1209; A41D 13/1236;
A41D 13/1245; A41D 13/1254; A41D
13/1263; A41D 13/1281; A41D 1/18; A41D
1/205; A41D 11/00

See application file for complete search history.

(56) **References Cited**

U.S. PATENT DOCUMENTS

3,490,072 A * 1/1970 Keltner 2/114
D352,593 S * 11/1994 Kline D2/746
5,564,123 A * 10/1996 Grassick 2/69
5,603,123 A * 2/1997 Chupa 2/275
5,611,087 A * 3/1997 Adkins 2/114
D381,488 S * 7/1997 Small D2/720
5,652,961 A * 8/1997 Knight-Yurt
5,903,922 A * 5/1999 Vargason 2/78.1

D575,028 S * 8/2008 Patton D2/742
D584,483 S * 1/2009 Glynn D2/720
D608,528 S * 1/2010 Tonetti-Spellman D2/742
D646,464 S * 10/2011 Altreche D2/745

(Continued)

FOREIGN PATENT DOCUMENTS

CA 2497480 A1 * 8/2006 A41D 13/1236
EP 1961318 A2 8/2008
WO WO 9618315 A1 * 6/1996 A41D 1/08

Primary Examiner — Bridget L Eland

Assistant Examiner — Lauren McVey

(74) *Attorney, Agent, or Firm* — Robert C. Montgomery;
Montgomery Patent and Design, LP.

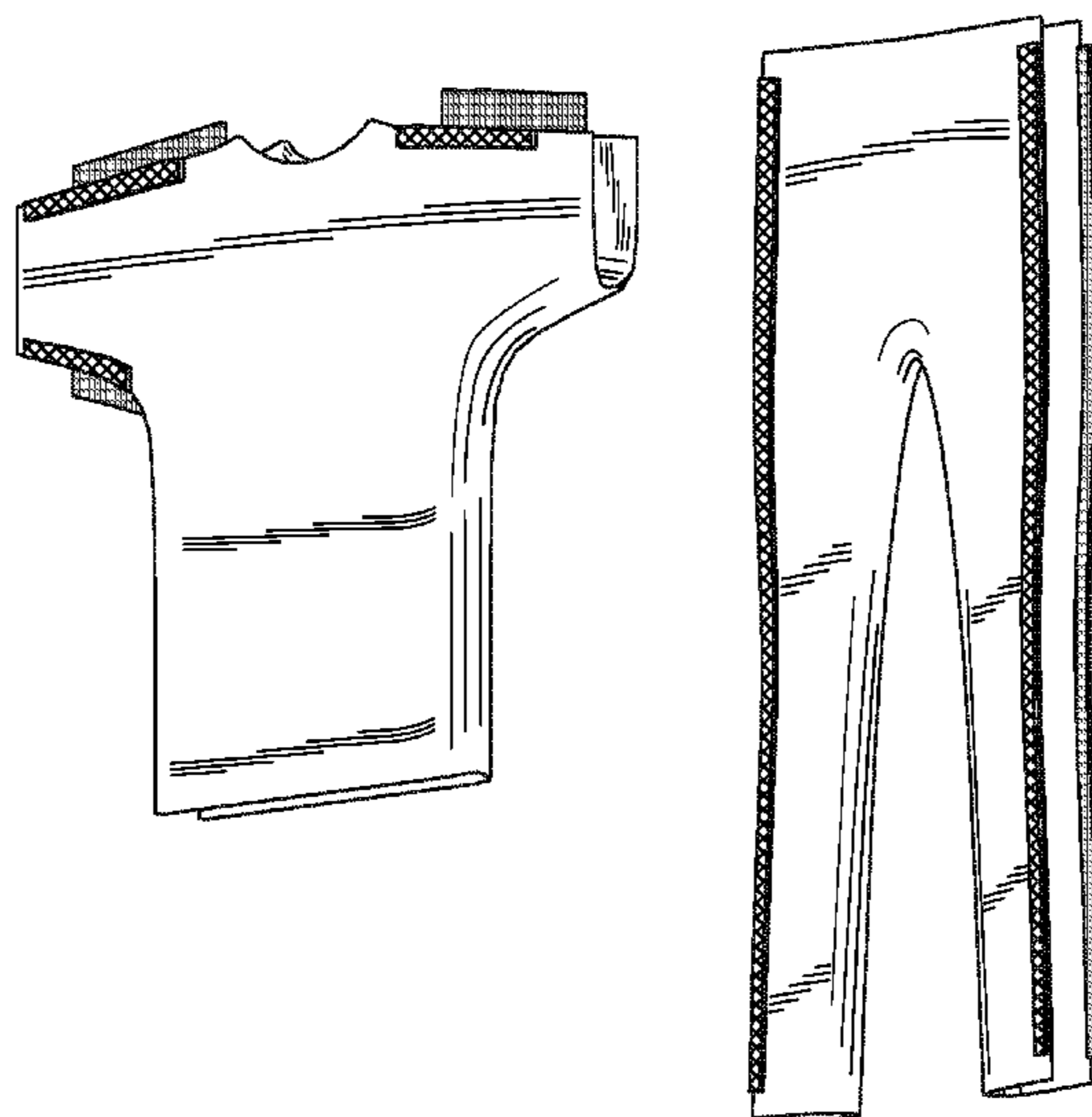
(57) **CLAIM**

The ornamental design for a garment set with break-away
panels, as shown and described.

DESCRIPTION

FIG. 1 is a perspective view of a garment set with break-away
panels showing our new design;
FIG. 2 is a front view thereof showing the garment bottom
separated to show aspects of the design not otherwise appar-
ent;
FIG. 3 is a rear view of FIG. 2;
FIG. 4 is a left-hand side view of FIG. 2;
FIG. 5 is a right-hand side view of FIG. 2;
FIG. 6 is a top view of FIG. 2;
FIG. 7 is a bottom view of FIG. 2;
FIG. 8 is a front view of the garment set with break-away
panels showing the garment top separated to show aspects of
the design not otherwise apparent;
FIG. 9 is a rear view of FIG. 8;
FIG. 10 is a left-hand side view of FIG. 8;
FIG. 11 is a right-hand side view of FIG. 8;
FIG. 12 is a top view of FIG. 8; and,
FIG. 13 is a bottom view of FIG. 8.

1 Claim, 9 Drawing Sheets



(56)

References Cited

U.S. PATENT DOCUMENTS

8,127,370 B2 3/2012 Nunn
8,327,464 B2 12/2012 Jaros
8,341,772 B1 1/2013 Flores

D722,743 S * 2/2015 Nice D2/717
2004/0153045 A1 8/2004 Baskerville
2009/0106872 A1* 4/2009 Collins 2/69
2012/0102616 A1 5/2012 Ott et al.
2012/0266349 A1 10/2012 Rolando

* cited by examiner

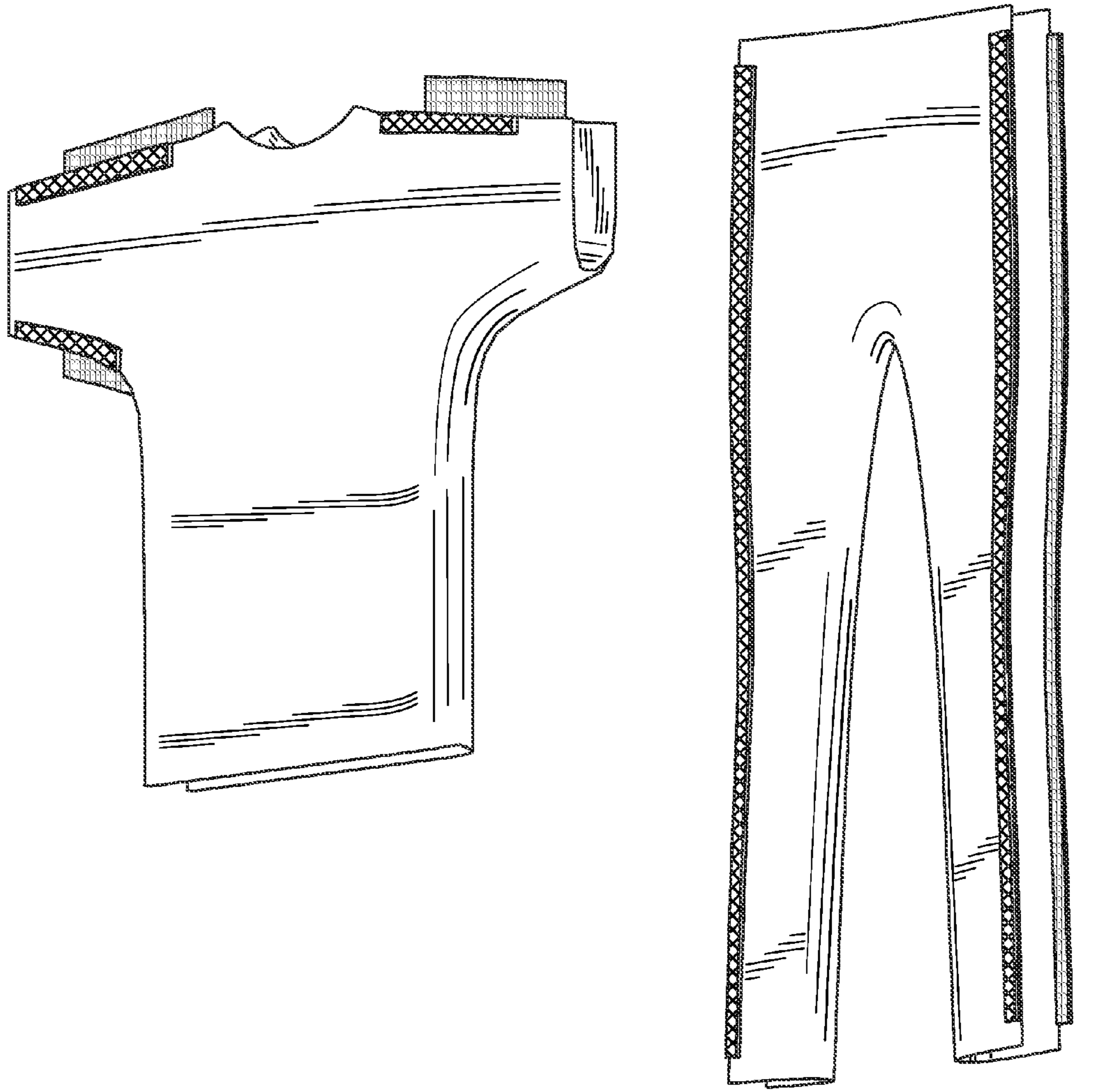


Fig. 1

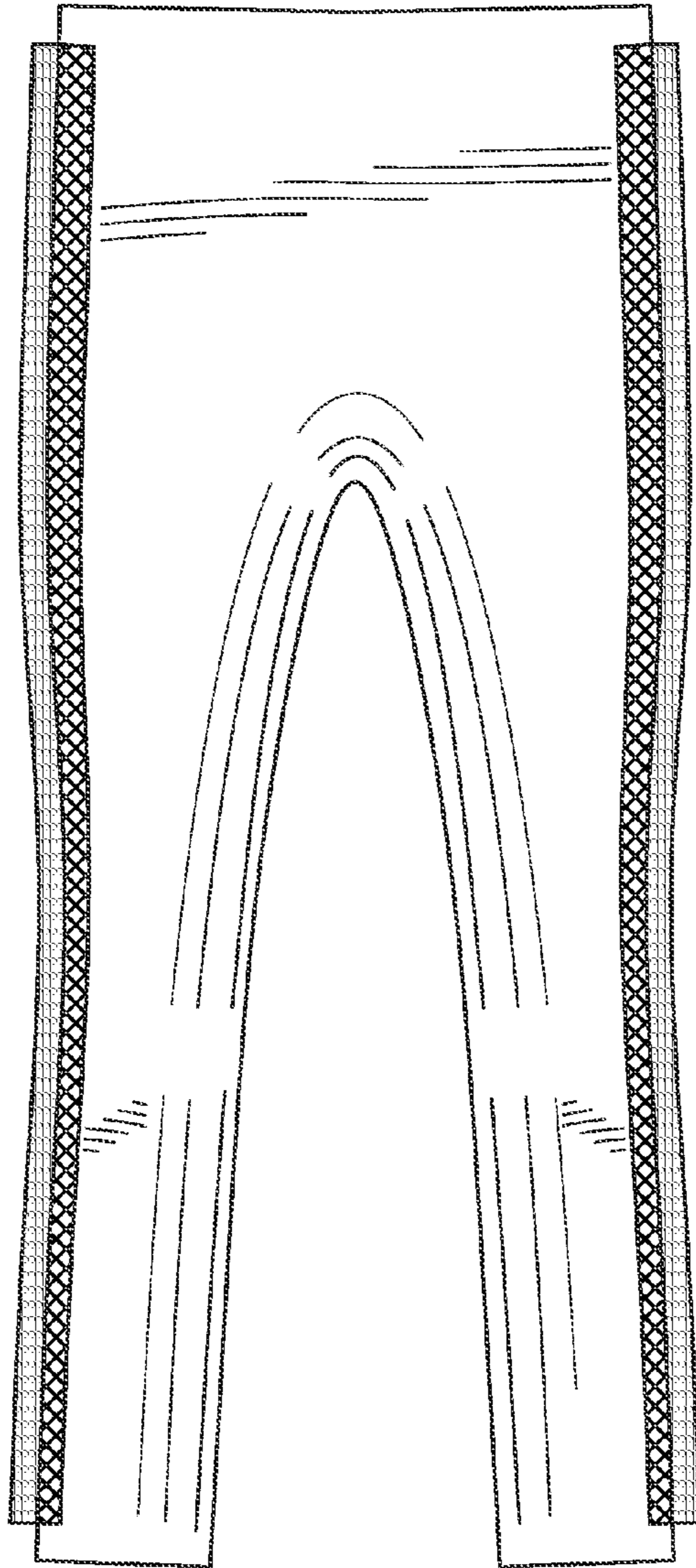


Fig. 2

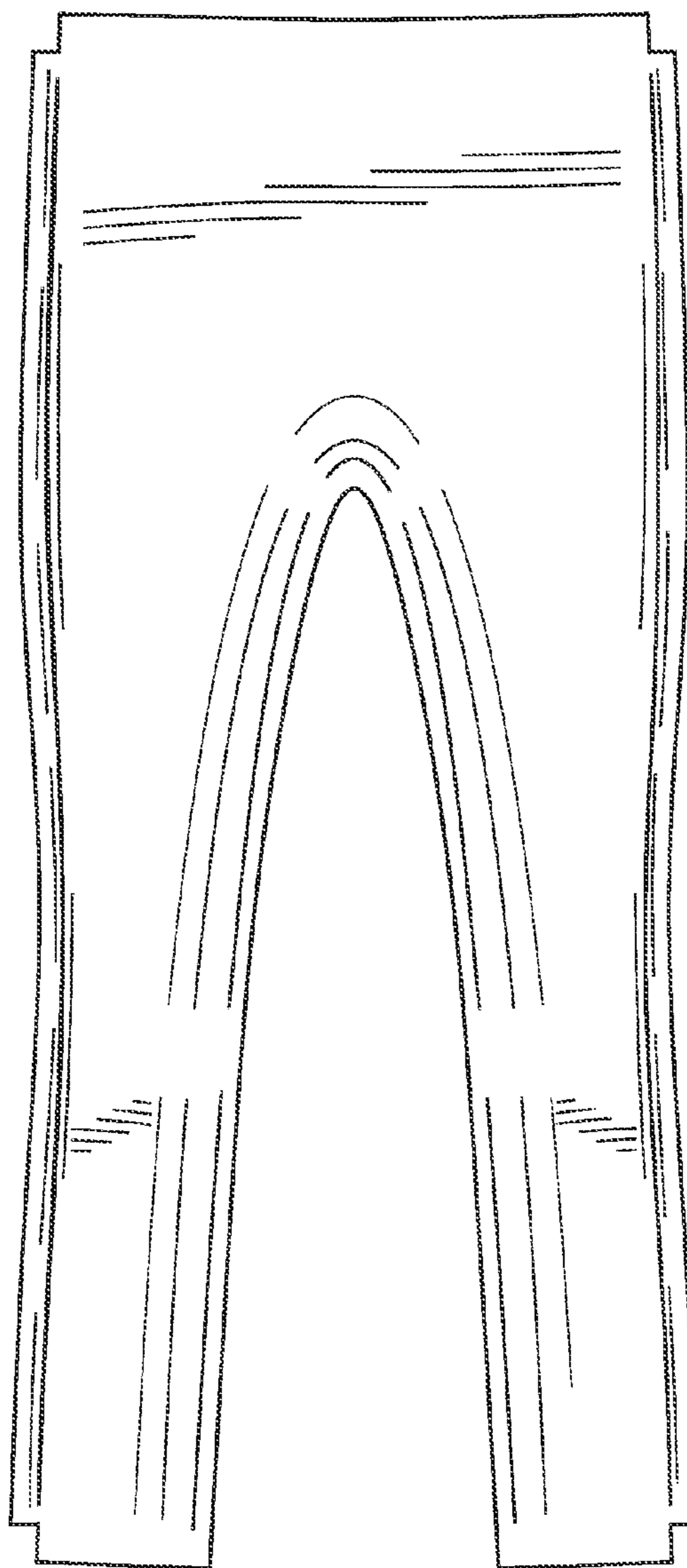


Fig. 3

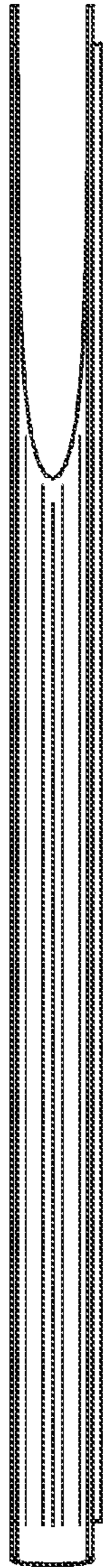


Fig. 4

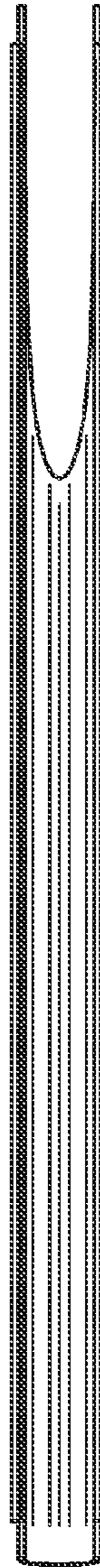


Fig. 5

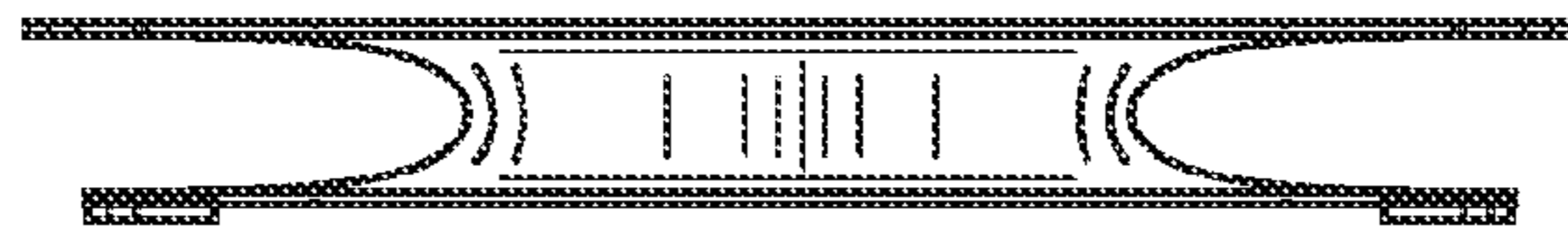


Fig. 6



Fig. 7

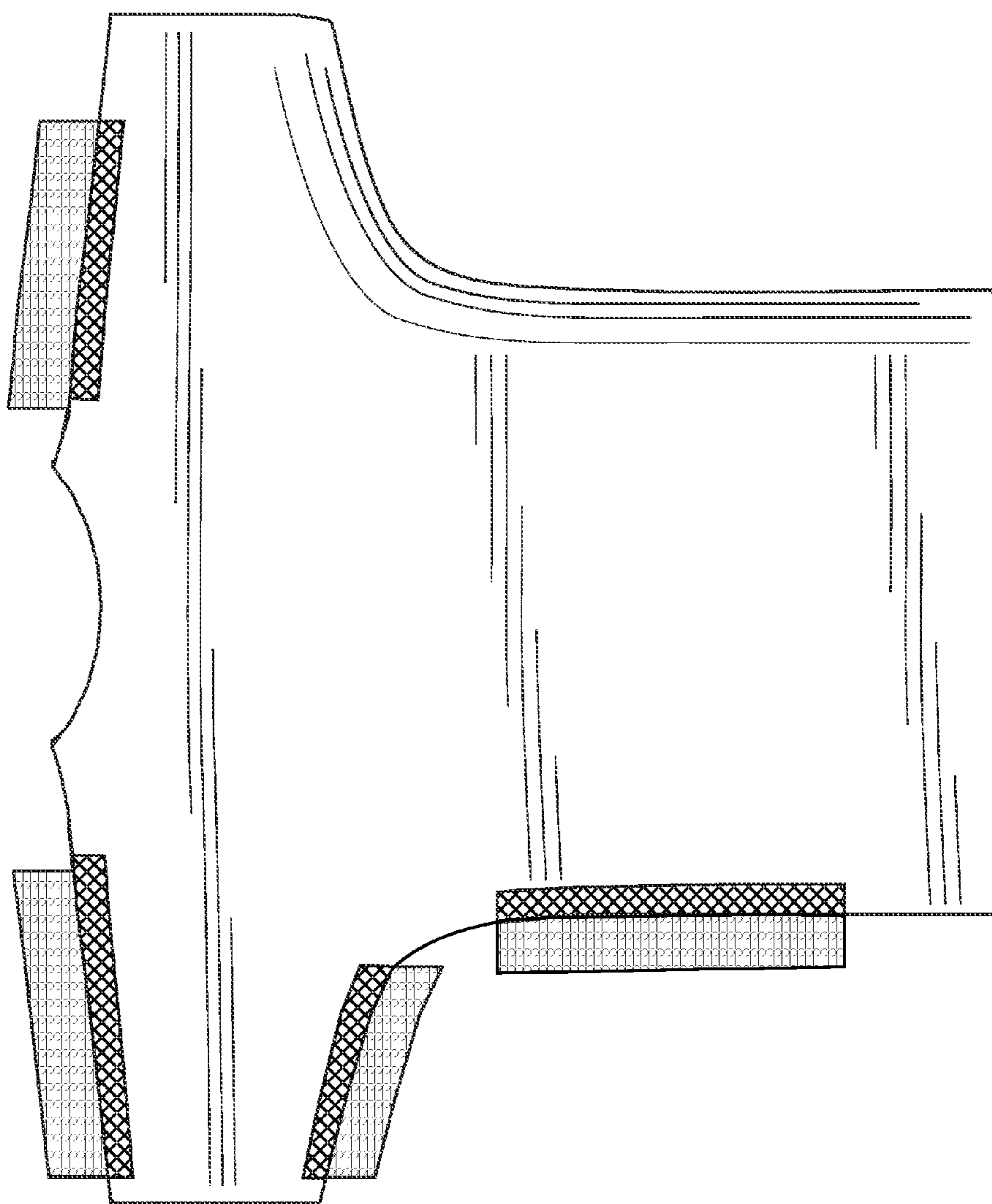


Fig. 8

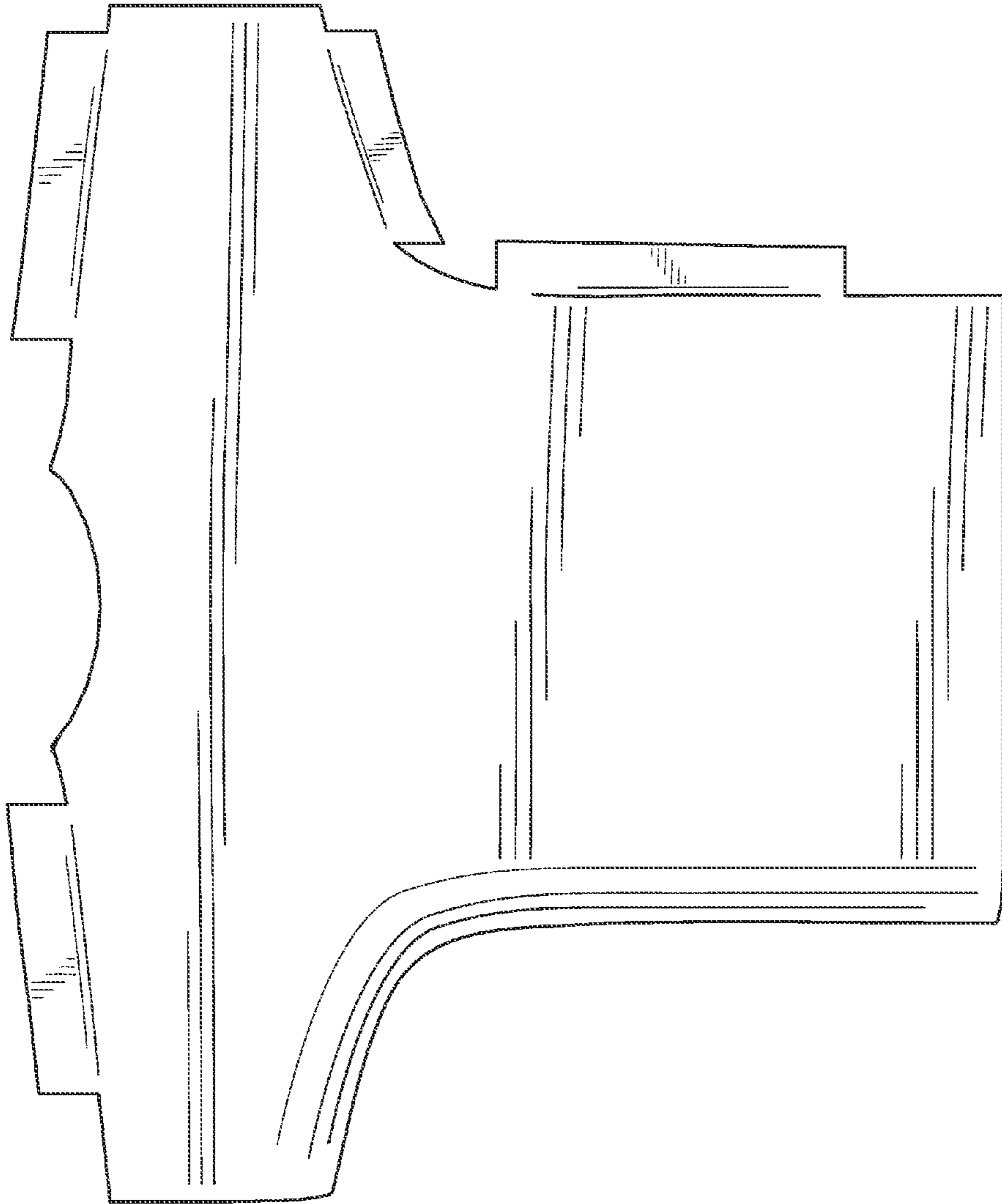


Fig. 9

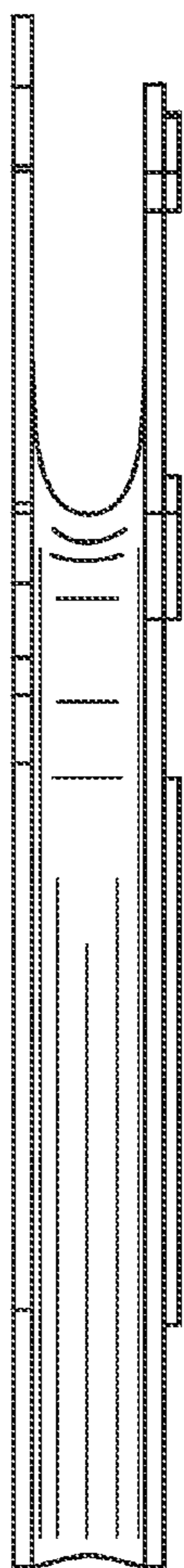


Fig. 10

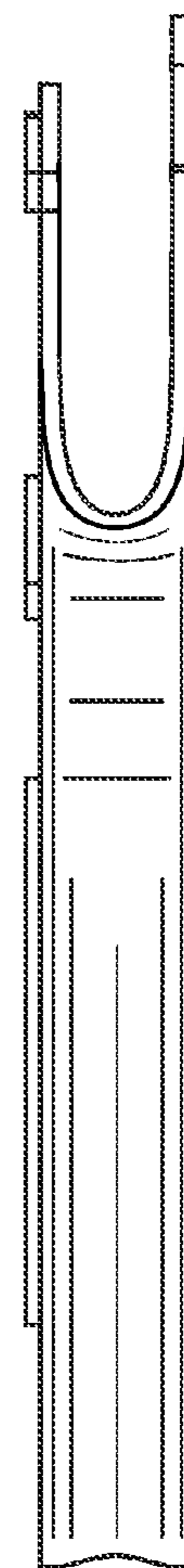


Fig. 11

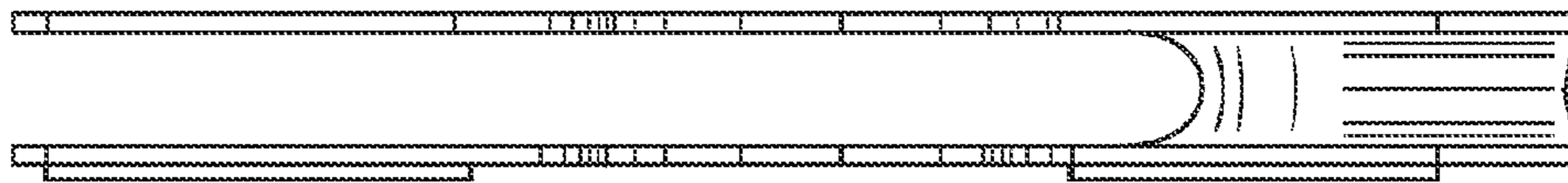


Fig. 12

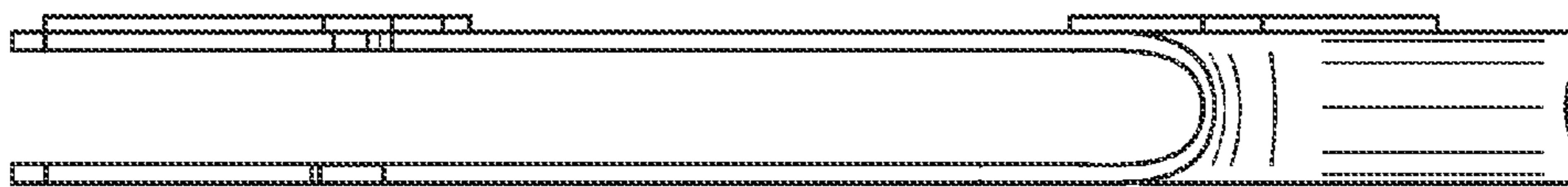


Fig. 13