



US00D731748S

(12) **United States Design Patent**  
**Fischer**

(10) **Patent No.:** **US D731,748 S**

(45) **Date of Patent:** **\*\* \*Jun. 16, 2015**

(54) **ATHLETIC GARMENT**

(71) Applicant: **Randi J. Fischer**, Golden Beach, FL  
(US)

(72) Inventor: **Randi J. Fischer**, Golden Beach, FL  
(US)

(\* ) Notice: This patent is subject to a terminal disclaimer.

(\*\*) Term: **14 Years**

(21) Appl. No.: **29/489,946**

(22) Filed: **May 5, 2014**

(51) **LOC (10) Cl.** ..... **02-02**

(52) **U.S. Cl.**  
USPC ..... **D2/731; D2/840**

(58) **Field of Classification Search**  
USPC ..... D2/717, 731, 749-751, 840-842;  
2/105, 106, 113, 115, 116  
See application file for complete search history.

(56) **References Cited**

**U.S. PATENT DOCUMENTS**

499,861	A	*	6/1893	Uebel	.....	2/105
1,282,528	A	*	10/1918	Biggs	.....	2/90
D109,570	S	*	5/1938	Solomon	.....	D2/847
2,462,706	A	*	2/1949	Alberich	.....	2/106
D293,961	S	*	2/1988	Stammers	.....	D2/717

D294,882	S	*	3/1988	Harrell	.....	D2/717
5,920,904	A	*	7/1999	Sapoznick	.....	2/69
D575,930	S	*	9/2008	Vacchiano	.....	D2/717
D621,588	S	*	8/2010	Hamilton et al.	.....	D2/829
2005/0112976	A1	*	5/2005	McMurray et al.	.....	442/306

\* cited by examiner

*Primary Examiner* — Rashida Johnson

(74) *Attorney, Agent, or Firm* — Lott & Fischer, PL

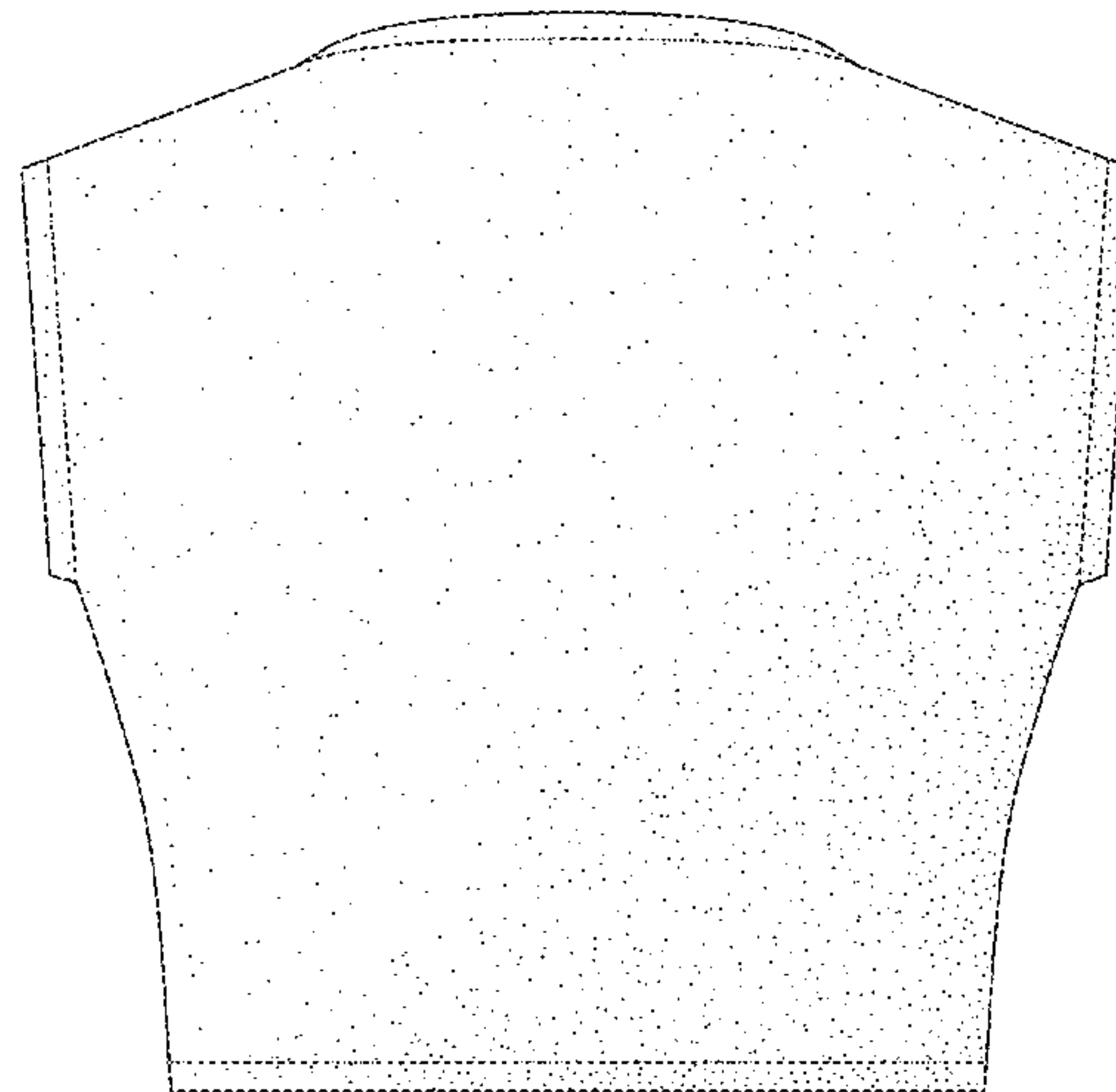
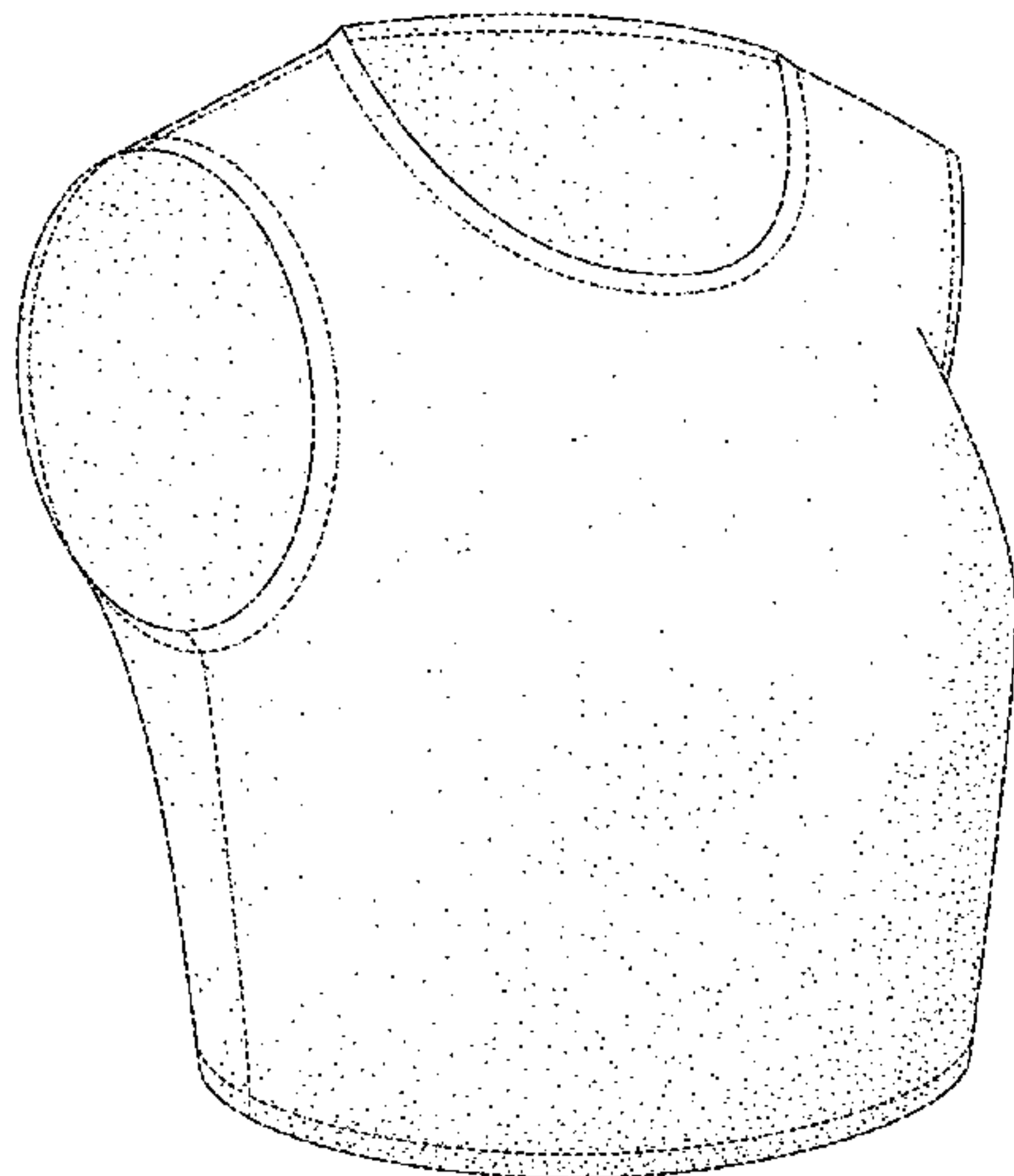
(57) **CLAIM**

The ornamental design for an athletic garment, as shown and described.

**DESCRIPTION**

FIG. 1 is a front perspective view of my new design;  
 FIG. 2 is a rear perspective view of the design of FIG. 1;  
 FIG. 3 is a front elevational view of the design of FIG. 1;  
 FIG. 4 is a rear elevational view of the design of FIG. 1;  
 FIG. 5 is a right elevational view of the design of FIG. 1, the left elevational view, not shown, being a mirror image thereof; and,  
 FIG. 6 is a front perspective view of the design FIG. 1 with a representation of a human body wearing the garment shown for reference only.  
 The broken lines in FIG. 6 depict a representation of a human form wearing the garment, are shown for reference only and form no part of the claimed design.  
 The uniformly spaced broken lines on the surface of the athletic garment, in FIGS. 1-6, represent stitching.

**1 Claim, 6 Drawing Sheets**



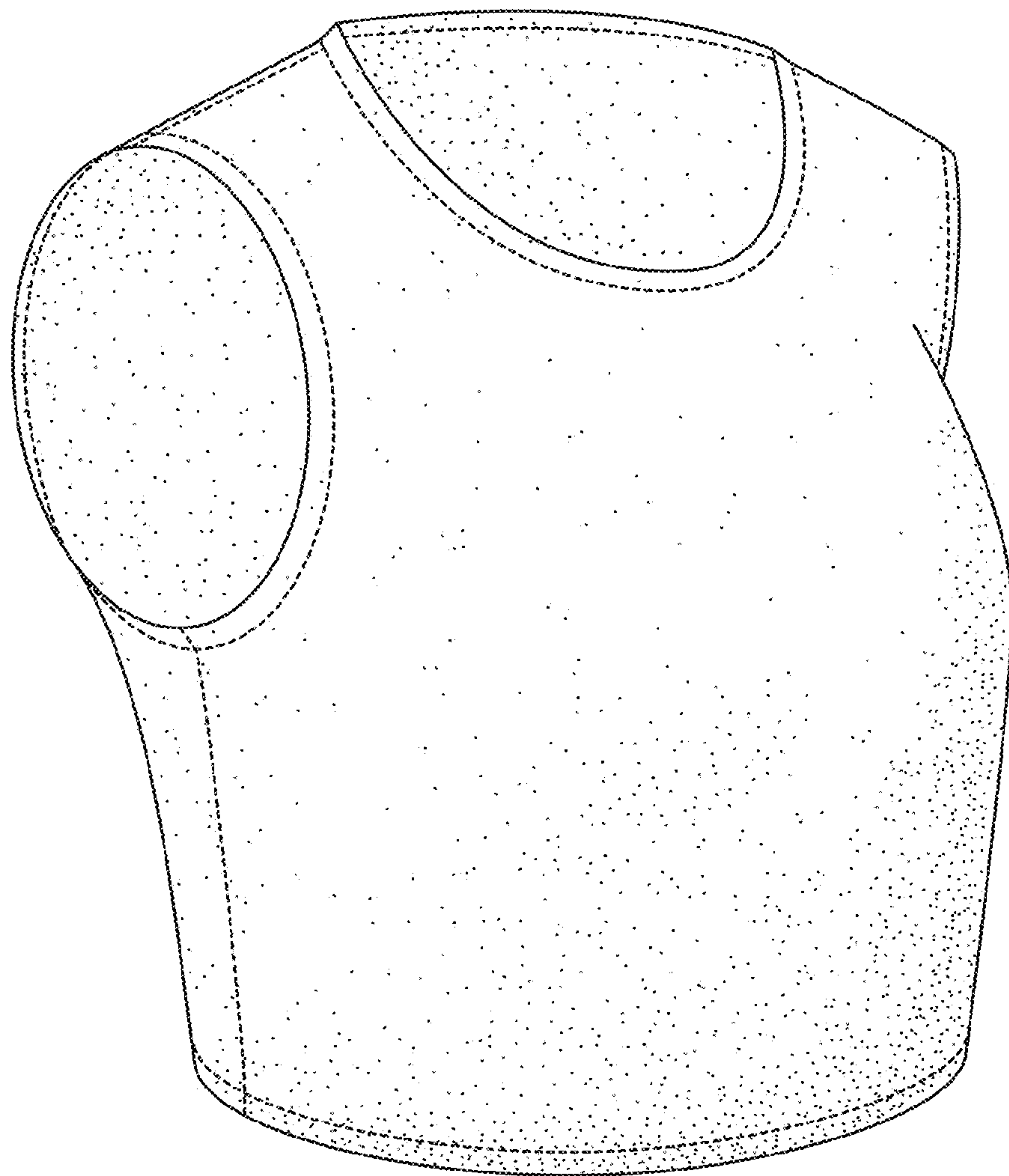


FIG. 1

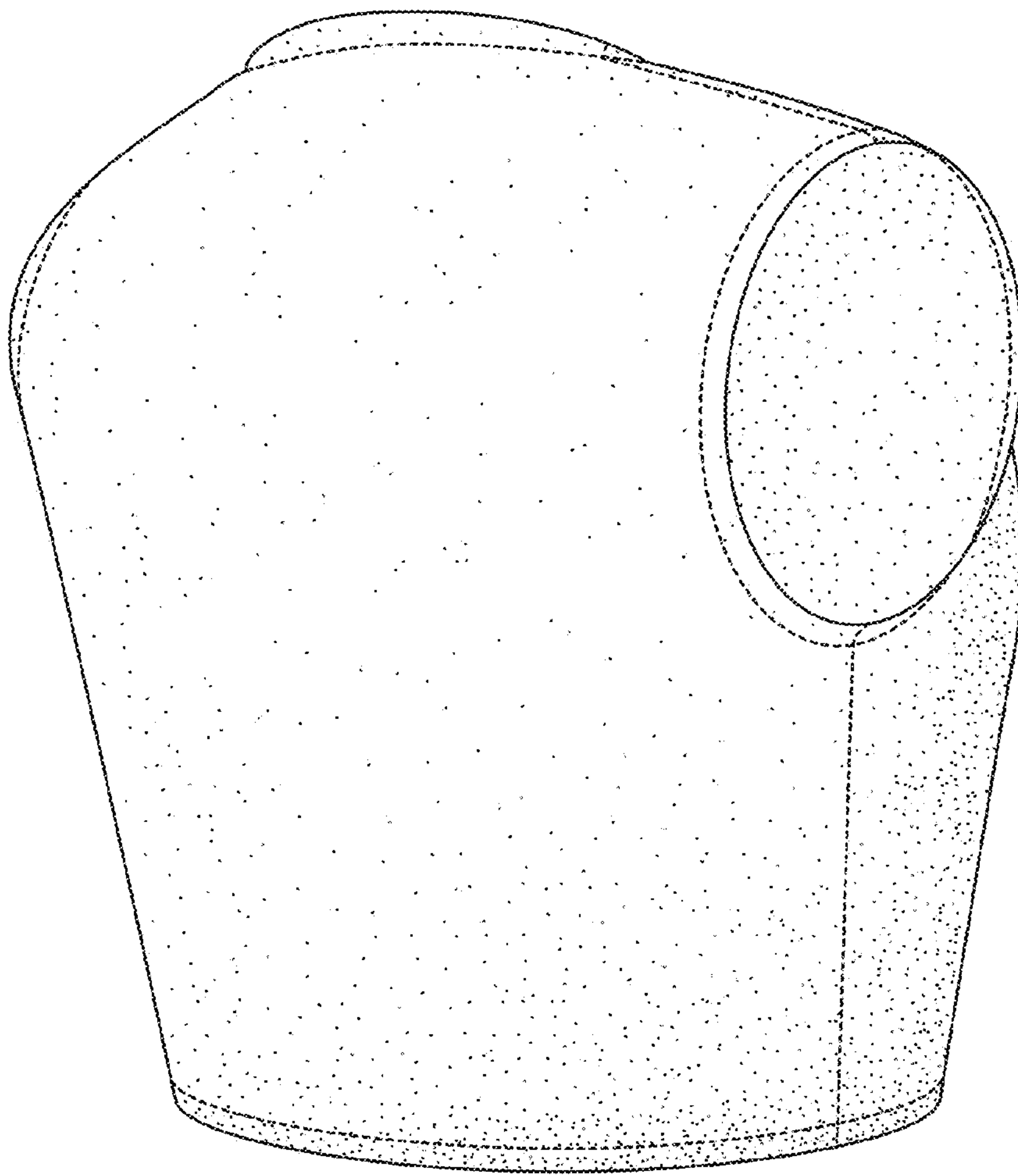


FIG. 2

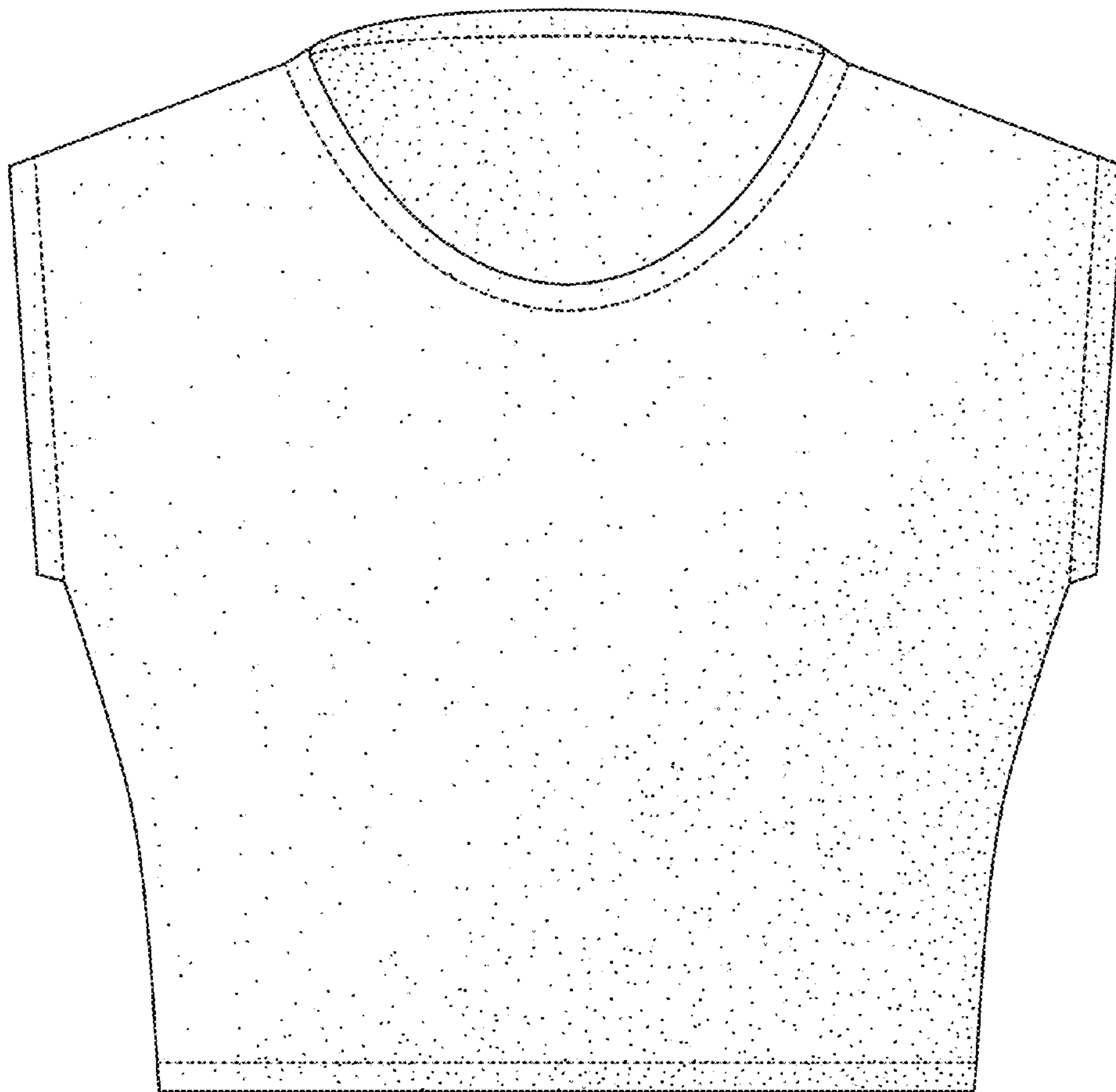


FIG. 3

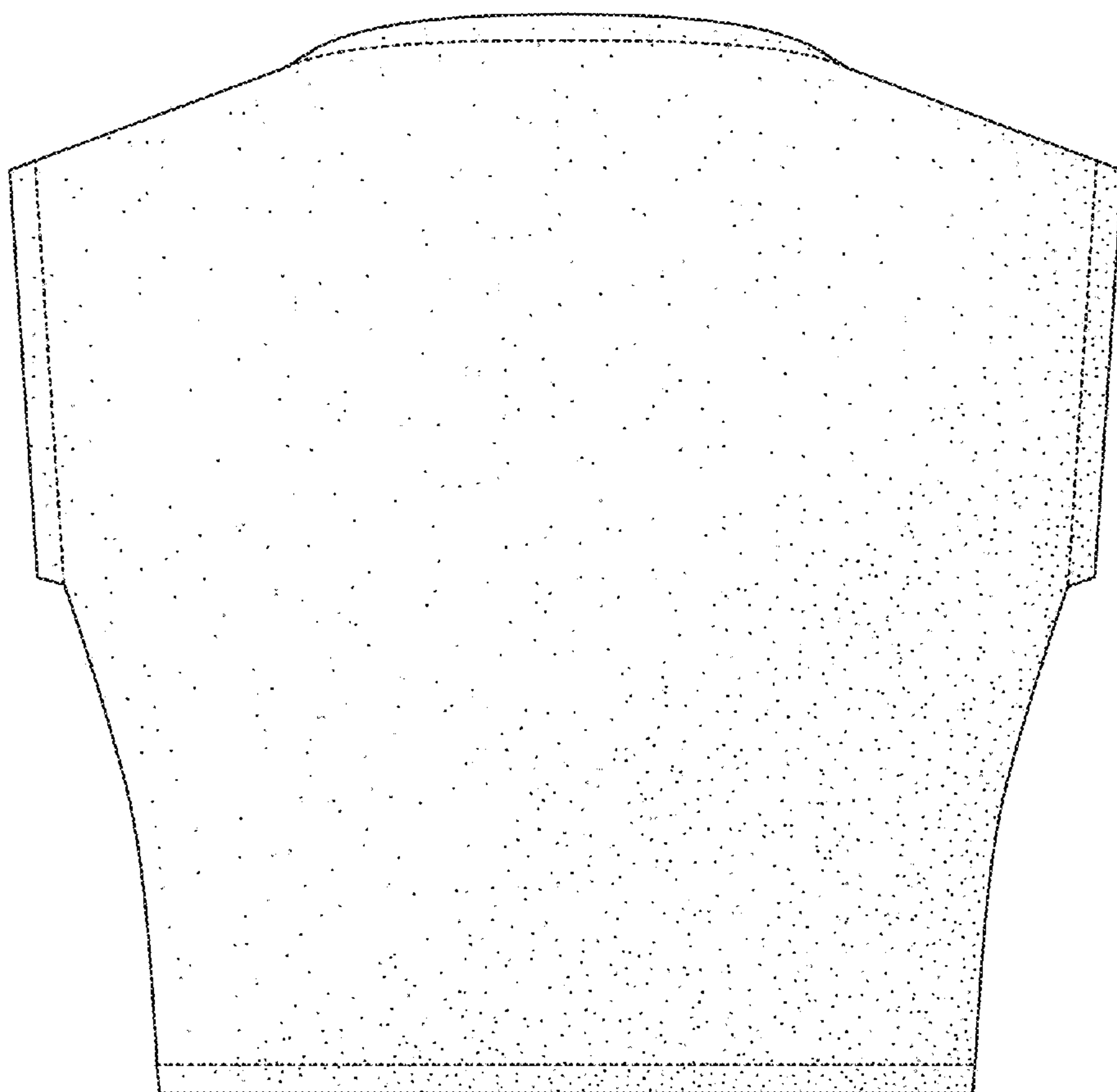


FIG. 4

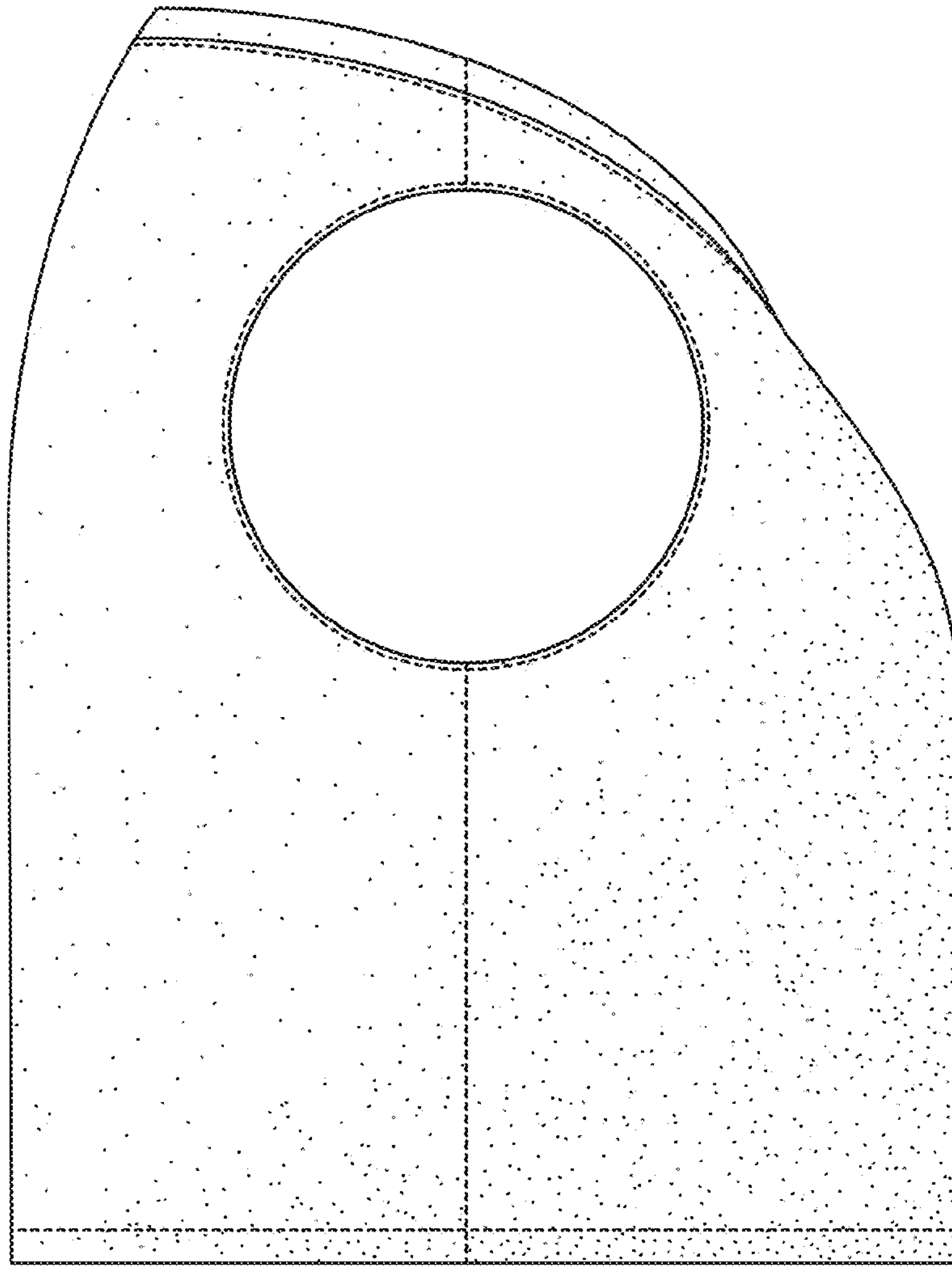


FIG. 5





FIG. 6