



US00D731742S

(12) **United States Design Patent**
Clement et al.

(10) **Patent No.:** **US D731,742 S**
(45) **Date of Patent:** **** Jun. 16, 2015**

(54) **FOOD PRODUCT**

(71) Applicants: **Brigida Clement**, Cossonay (CH);
Fabio Cesa, Preverenges (CH)

(72) Inventors: **Brigida Clement**, Cossonay (CH);
Fabio Cesa, Preverenges (CH)

(73) Assignee: **CLOE MACARONS SA**, Echandens
(CH)

(**) Term: **14 Years**

(21) Appl. No.: **29/475,030**

(22) Filed: **Nov. 27, 2013**

(30) **Foreign Application Priority Data**

May 27, 2013 (CH) 139938

(51) **LOC (10) Cl.** **01-01**

(52) **U.S. Cl.**
USPC **D1/128; D1/115**

(58) **Field of Classification Search**

USPC D1/100-130, 199; 426/5, 76, 87, 92,
426/94, 95, 99, 101, 103, 108, 138-139,
426/143, 144, 279, 282, 283, 391, 514, 549,
426/660; D13/100; D24/101, 104; D28/8.1;
424/467; D9/661; D7/565-566;
D11/44, 117; D6/601

See application file for complete search history.

(56) **References Cited**

U.S. PATENT DOCUMENTS

D96,225 S * 7/1935 Brennan D1/129
D370,307 S * 5/1996 Chen D28/79

D440,016 S * 4/2001 Thorpe D28/77
D470,194 S * 2/2003 Manville D21/496
D474,107 S * 5/2003 Osborne D9/661
D492,581 S * 7/2004 Fahy et al. D8/378
D494,338 S * 8/2004 Baumhogger et al. D99/34
D507,360 S * 7/2005 Yuen D26/26
D546,062 S * 7/2007 Tate D3/271.8
D551,785 S * 9/2007 Montgomery D26/26
D597,648 S * 8/2009 Heflin, III D23/367
D607,177 S * 1/2010 Roskam D1/115
D672,526 S * 12/2012 Lee D1/115
D707,417 S * 6/2014 Pearson D1/115
D707,420 S * 6/2014 Heaton D1/127
D711,618 S * 8/2014 Heaton D1/127

* cited by examiner

Primary Examiner — Deanna L Pratt

Assistant Examiner — Katie Mroczka

(74) *Attorney, Agent, or Firm* — Young & Thompson

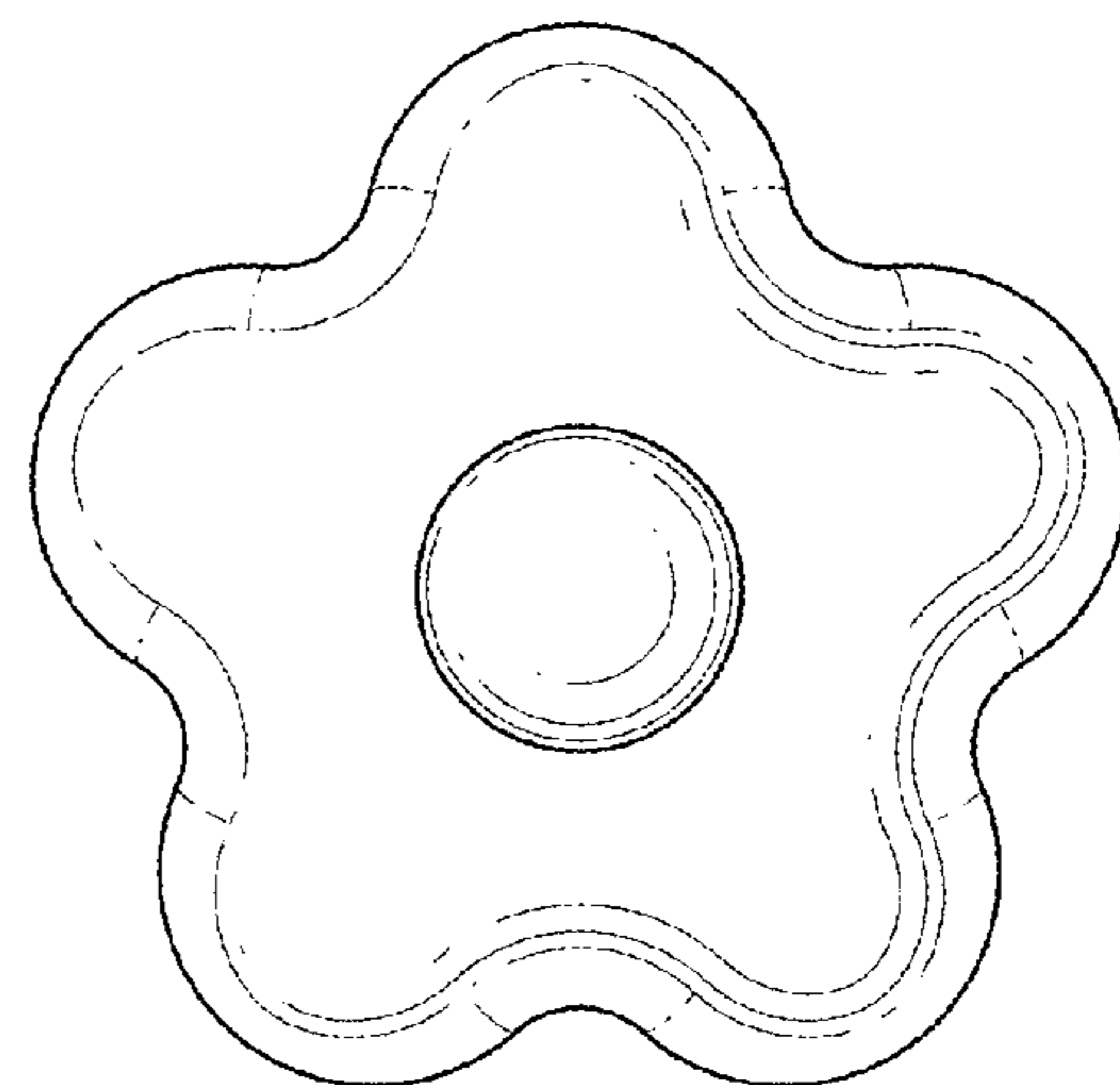
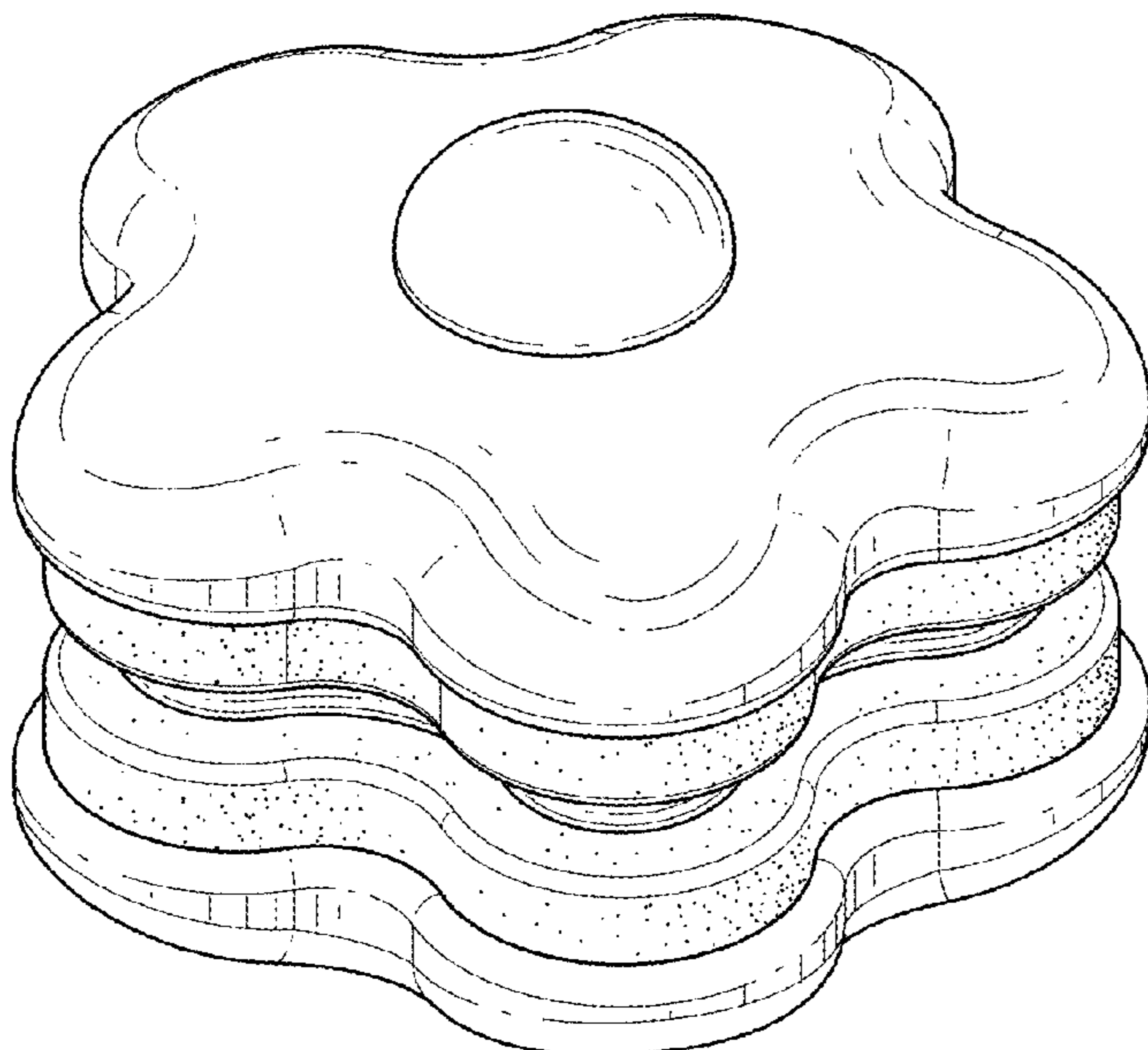
(57) **CLAIM**

The ornamental design for a food product, as shown and described.

DESCRIPTION

FIG. 1 is a front, left side, and top perspective view of a food product showing the new design;
FIG. 2 is a top elevation view thereof;
FIG. 3 is a bottom elevation view thereof;
FIG. 4 is a front elevation view thereof;
FIG. 5 is a rear elevation view thereof;
FIG. 6 is a left side elevation view thereof; and,
FIG. 7 is a right side elevation view thereof.

1 Claim, 4 Drawing Sheets



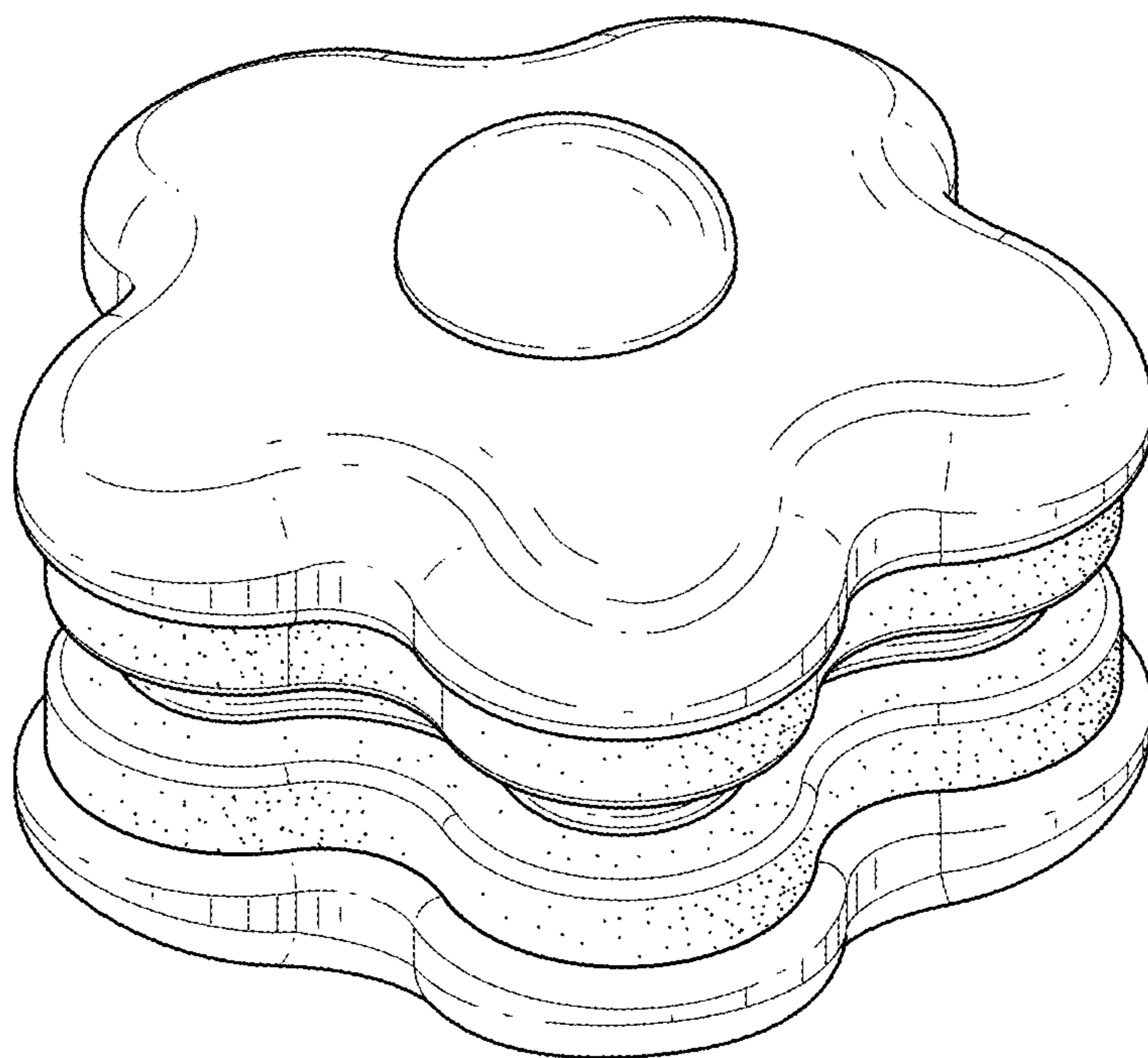


FIG. 1

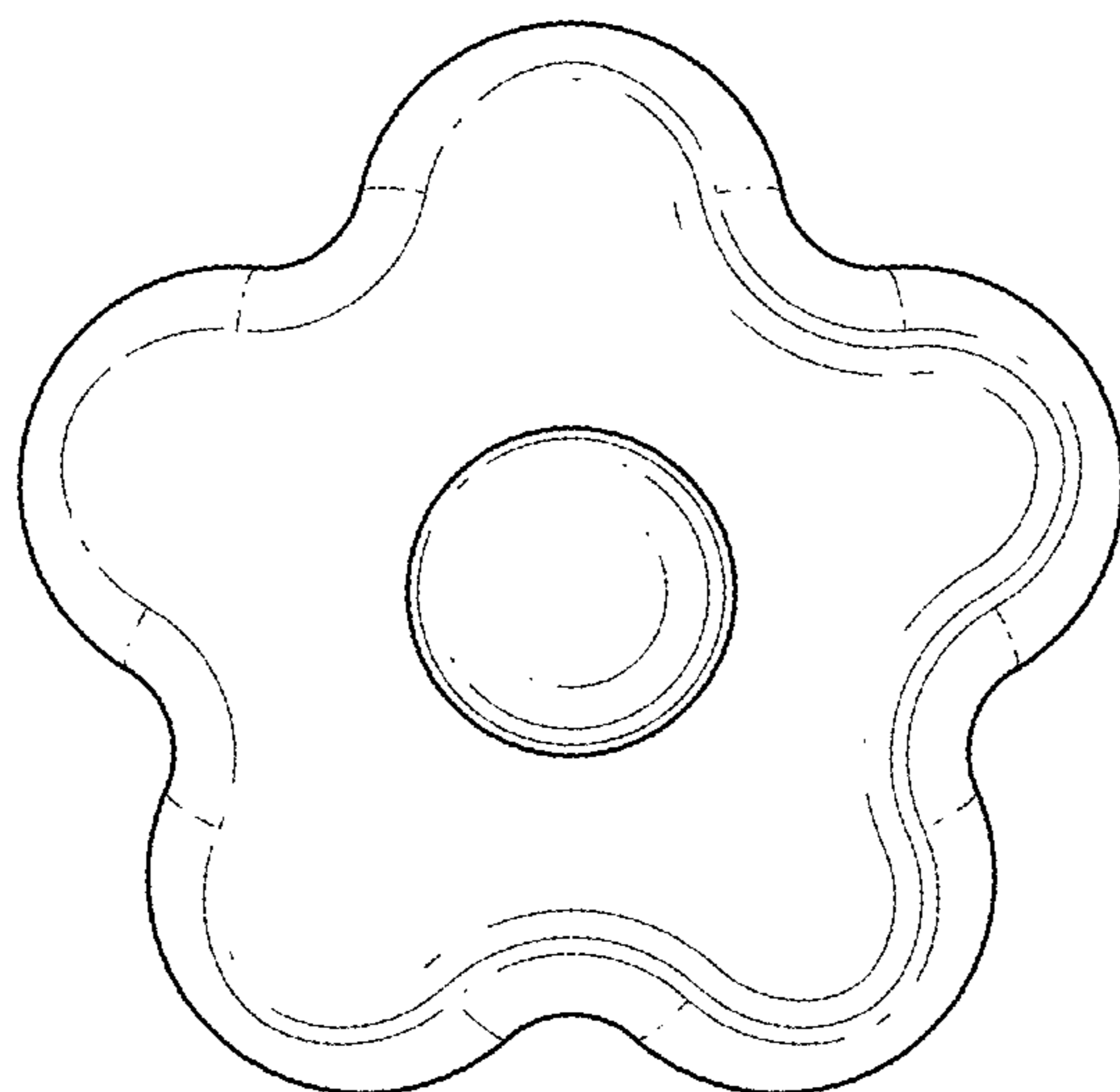


FIG. 2

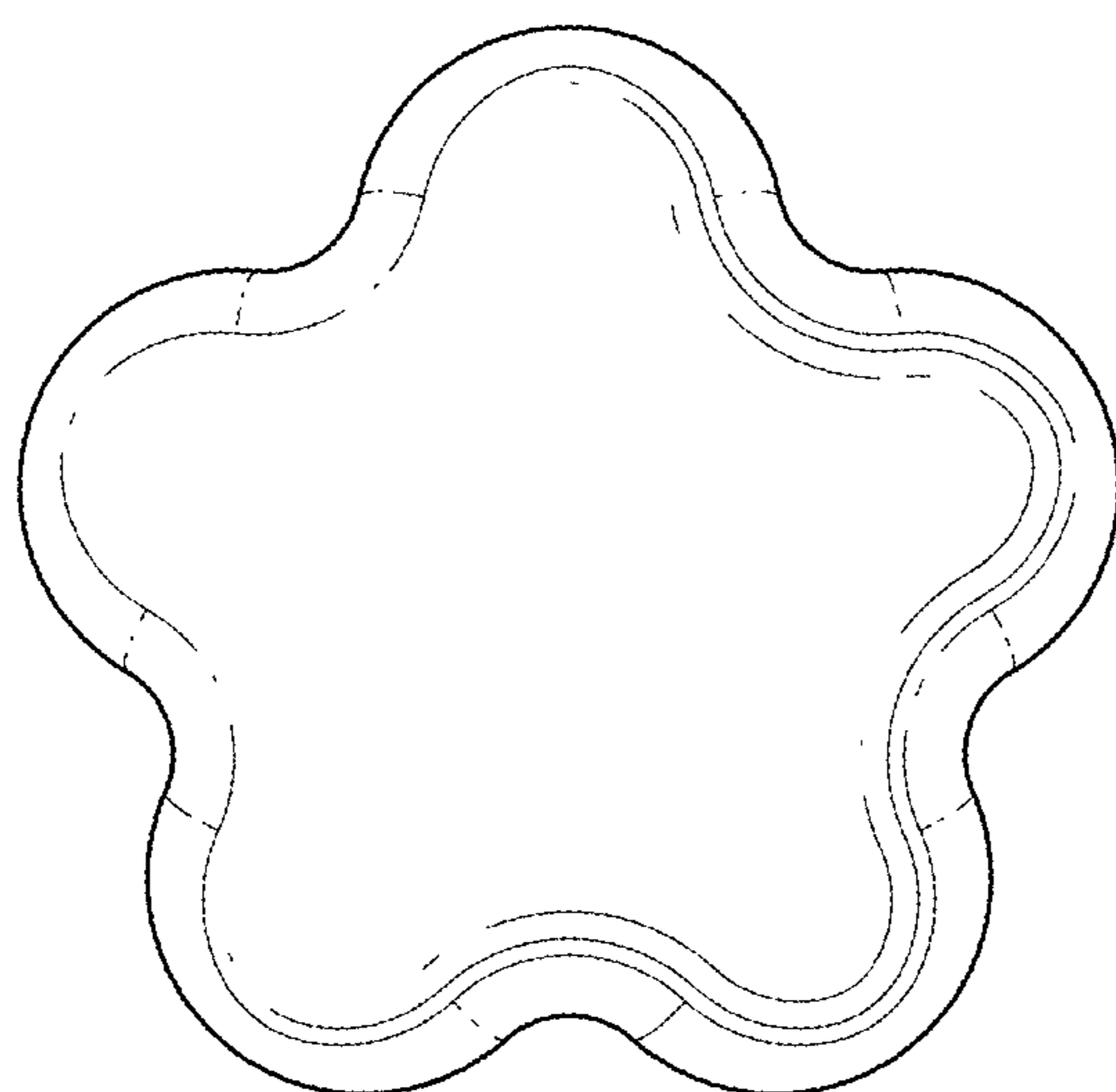


FIG. 3

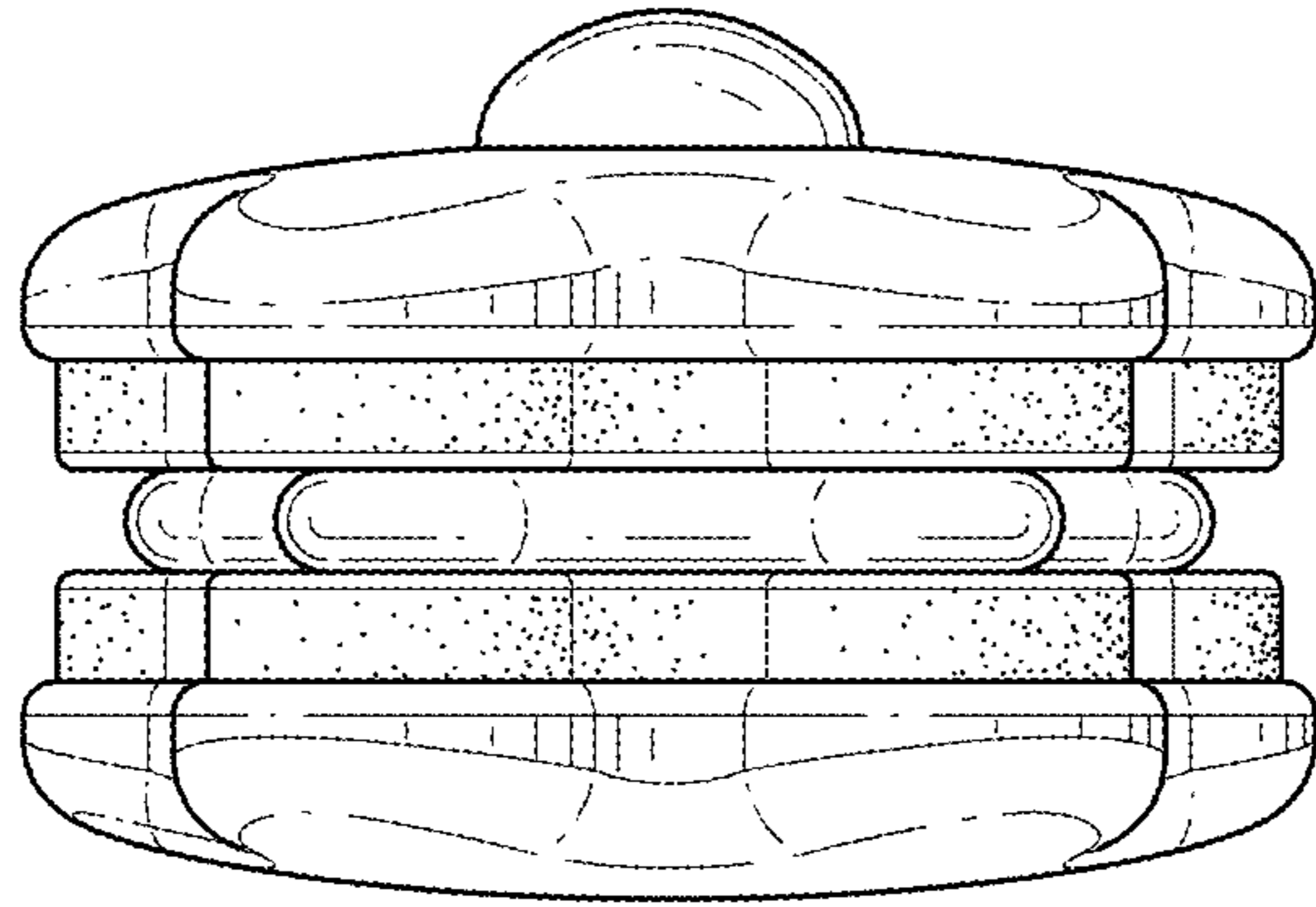


FIG. 4

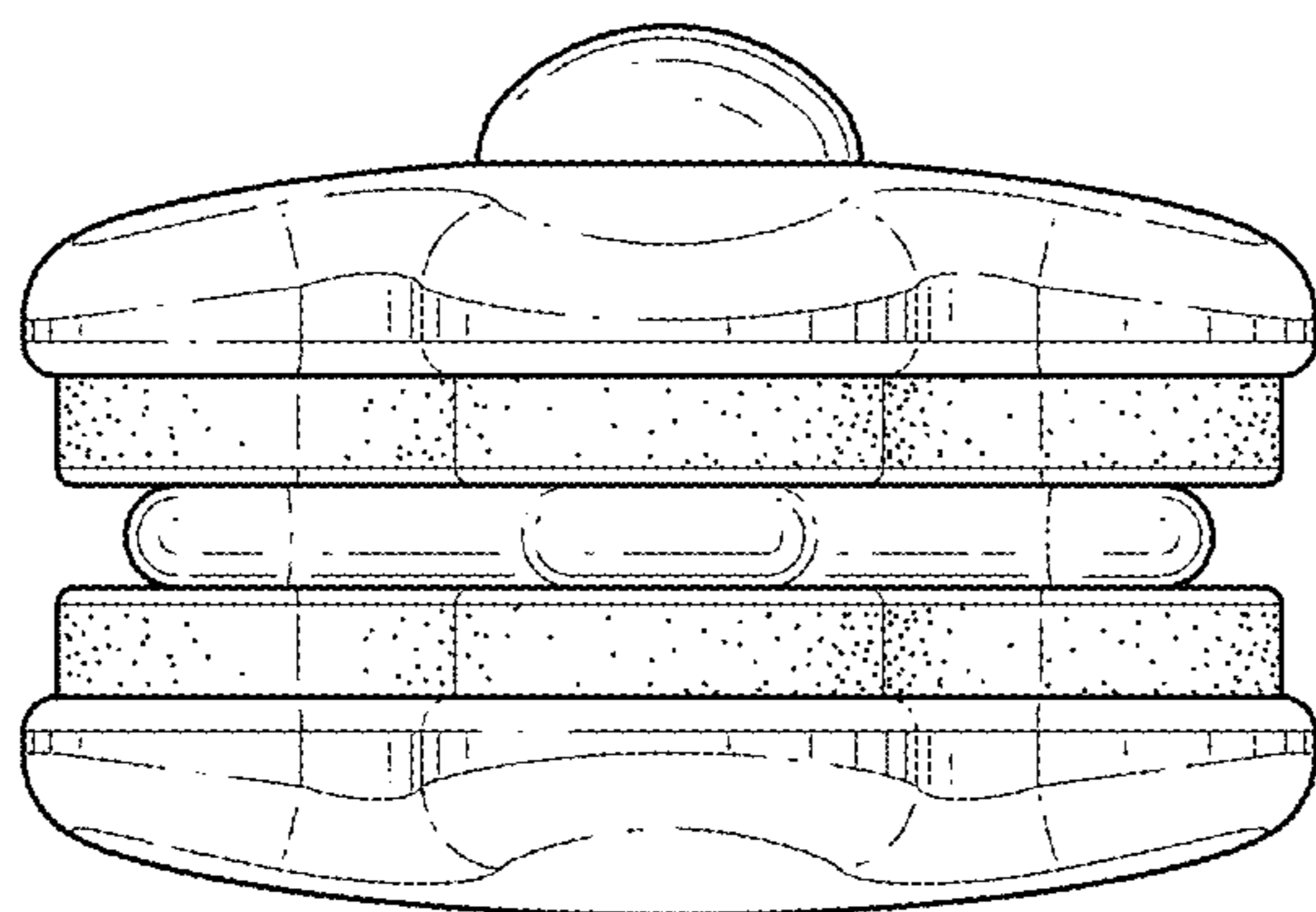


FIG. 5

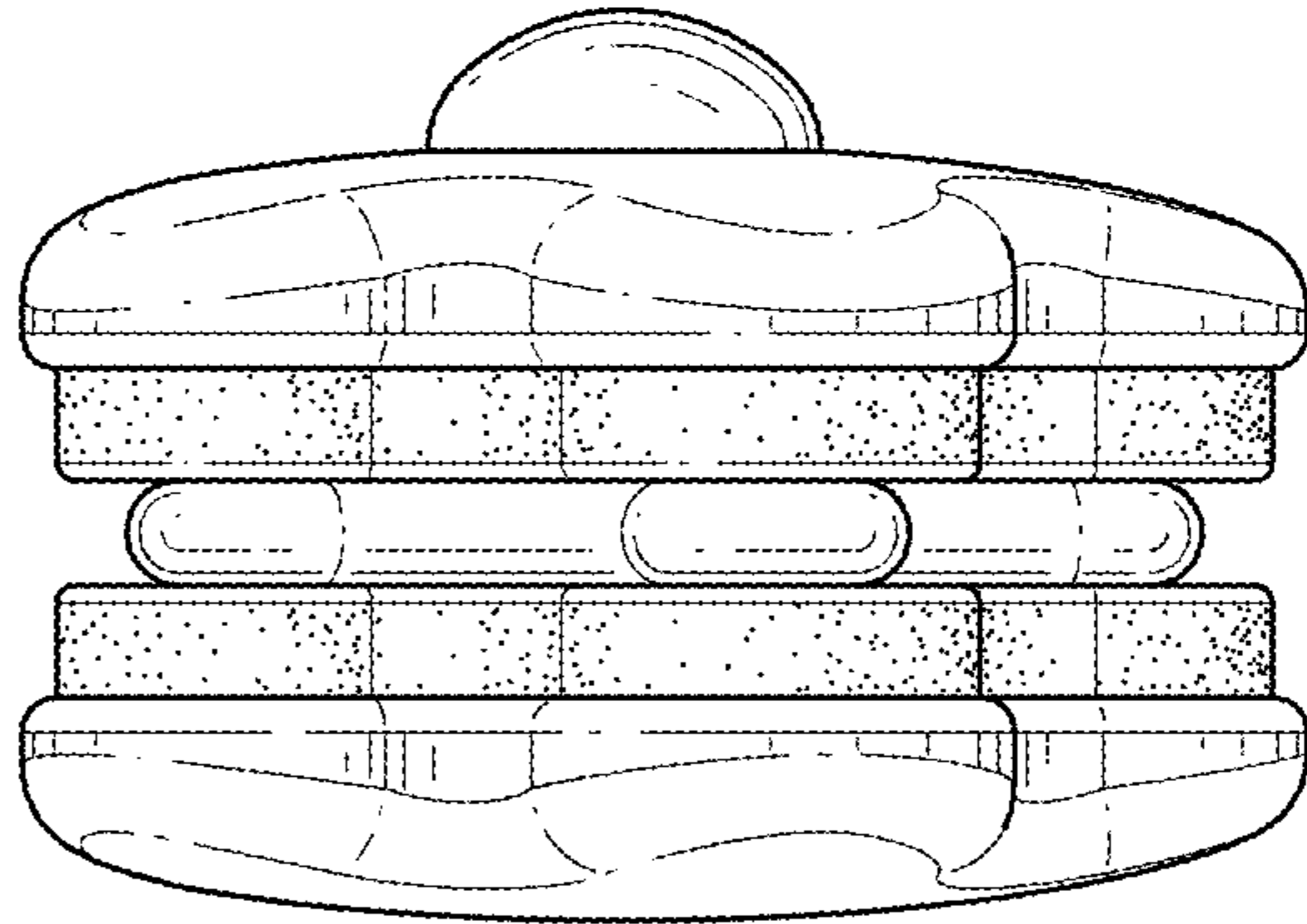


FIG. 6

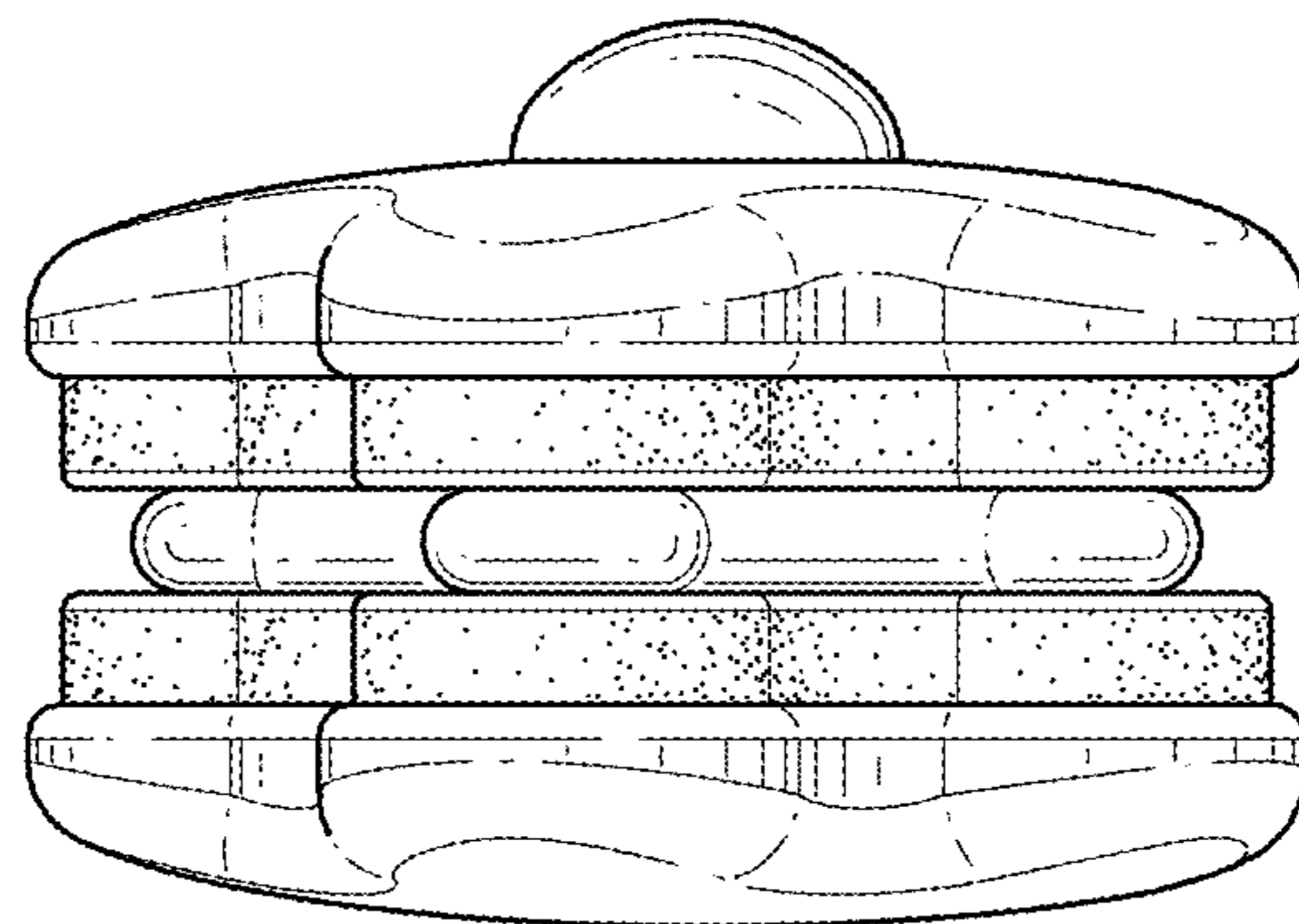


FIG. 7