



US00D731739S

(12) **United States Design Patent**
Hine et al.

(10) **Patent No.:** **US D731,739 S**
(45) **Date of Patent:** **** Jun. 9, 2015**

- (54) **FIRE-RESISTANT FILE CHEST**
- (71) Applicant: **John D. Brush & Co., Inc.**, Rochester, NY (US)
- (72) Inventors: **David J. Hine**, Skaneateles, NY (US);
Scott W. Osiecki, Skaneateles, NY (US);
Donwoong Kang, Camillus, NY (US)
- (73) Assignee: **John D. Brush & Co., Inc.**, Rochester, NY (US)
- (**) Term: **14 Years**
- (21) Appl. No.: **29/453,879**
- (22) Filed: **May 3, 2013**
- (51) **LOC (10) Cl.** **99-00**
- (52) **U.S. Cl.**
USPC **D99/28**
- (58) **Field of Classification Search**
USPC D99/28, 34, 35, 36, 43, 99; 109/1 R, 1 V,
109/2, 45; 902/9, 30; 235/100; 206/317,
206/527, 235; 312/400, 409
CPC E05B 65/0075; F42B 39/00; F42B 39/002;
F42B 39/14; F42B 39/18; F42B 39/24;
F42B 39/22; F42B 39/20; F42B 39/26;
E05G 1/00; E05G 1/005; E05G 1/024; E05G
5/00; E05G 2700/00; E05G 2700/02; E05G
2700/04; E05G 5/02; G07D 11/0006; G07D
11/009; G07D 9/002; G07D 9/004; G07D
9/008; G07F 9/06; G07F 9/003; G07F 17/10
See application file for complete search history.

- (56) **References Cited**
U.S. PATENT DOCUMENTS
2,781,897 A * 2/1957 Dale 206/317
3,138,306 A * 6/1964 Bare 206/317
4,541,545 A 9/1985 Beattie et al.
4,788,838 A * 12/1988 Cislo 70/63

D302,491 S	8/1989	Brush, Jr. et al.	
4,890,466 A *	1/1990	Cislo	70/63
5,009,088 A *	4/1991	Cislo	70/63
5,069,358 A	12/1991	Avery, Jr.	
5,295,447 A	3/1994	Robbins et al.	
5,377,514 A *	1/1995	Robbins et al.	70/452
6,260,300 B1 *	7/2001	Klebes et al.	42/70.11
6,269,966 B1	8/2001	Pallo et al.	
6,405,861 B1 *	6/2002	Siler et al.	206/317
6,488,148 B1 *	12/2002	Woodson	206/317
D474,596 S	5/2003	Osiecki et al.	
6,601,680 B2 *	8/2003	Japchen	190/120
6,752,092 B2	6/2004	Beattie et al.	
6,843,081 B1 *	1/2005	Painter	70/63
7,004,365 B2 *	2/2006	Ingram	224/401
7,025,203 B2 *	4/2006	Schonenbach	206/317
7,063,737 B2 *	6/2006	Tilby et al.	206/317
7,116,224 B2 *	10/2006	Mickler	340/568.1
7,159,711 B1 *	1/2007	Gardner	206/317

(Continued)

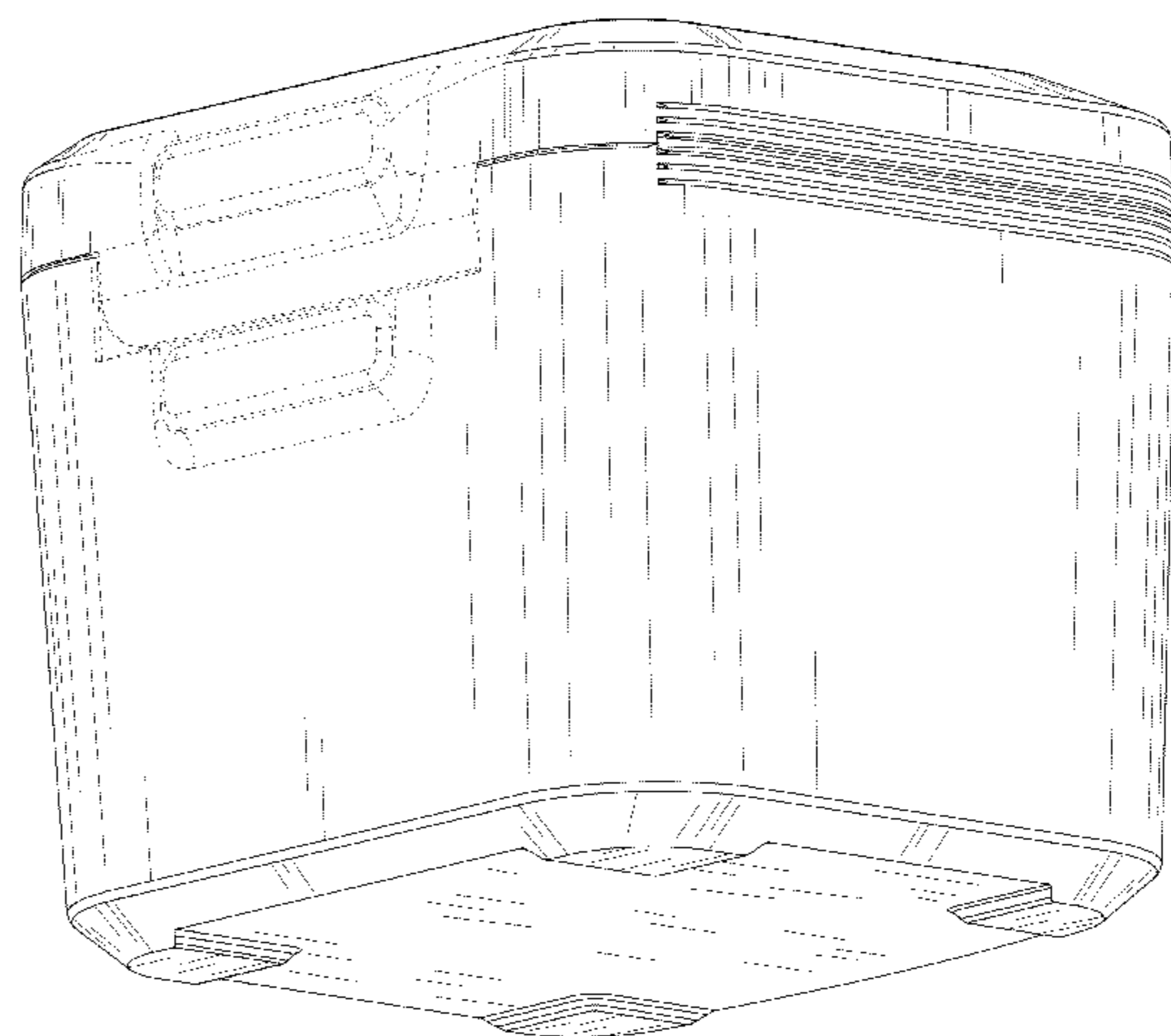
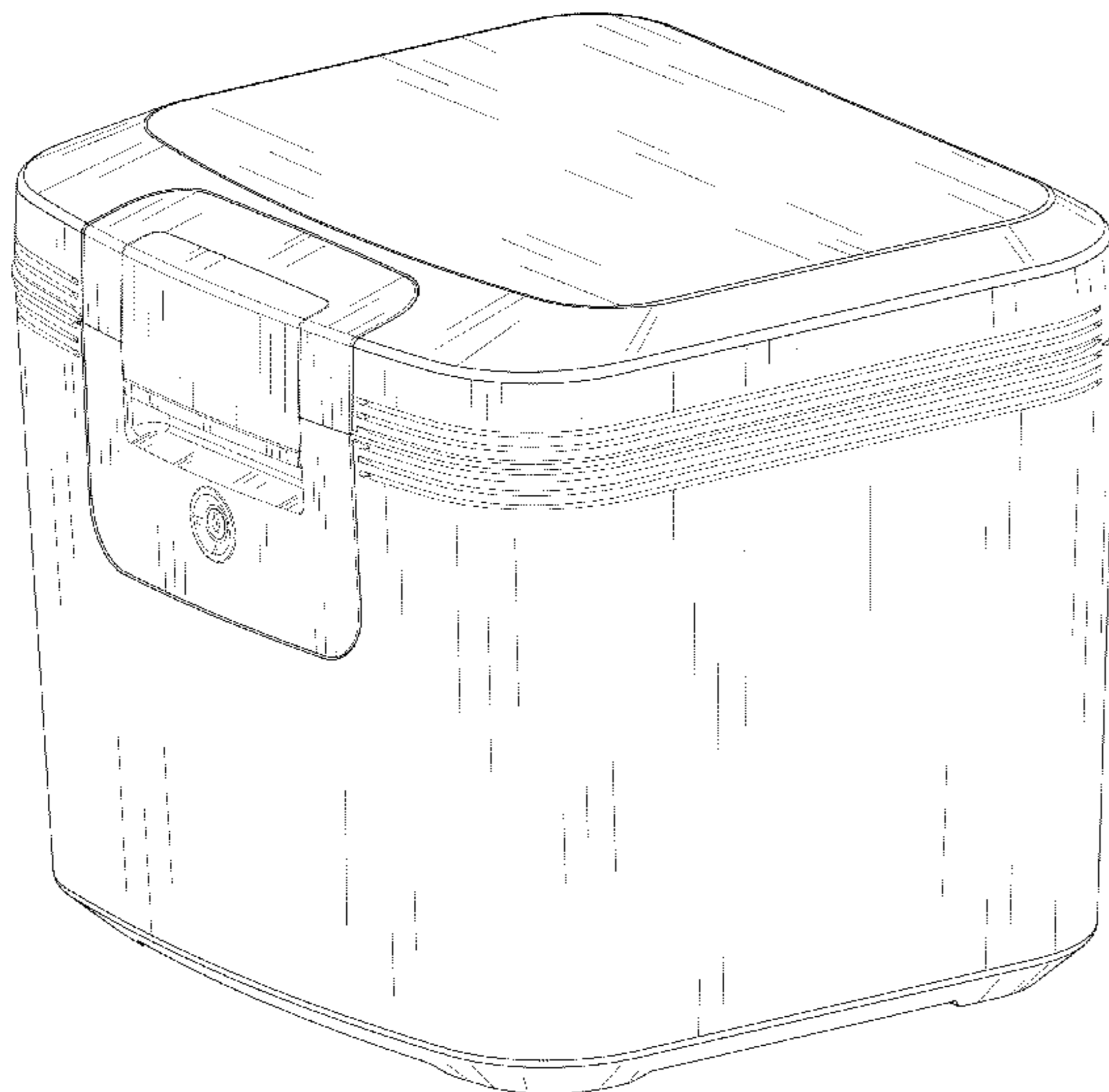
Primary Examiner — Elizabeth J Oswecki
(74) *Attorney, Agent, or Firm* — Woods Oviatt Gilman LLP;
Dennis B. Danella, Esq.

(57) **CLAIM**
The ornamental design for a fire-resistant file chest, as shown and described.

DESCRIPTION

FIG. 1 is a front perspective view of a fire-resistant file chest showing our new design;
FIG. 2 is a front view thereof;
FIG. 3 is a left side view thereof;
FIG. 4 is a right side view thereof;
FIG. 5 is a top view thereof;
FIG. 6 is a bottom view thereof;
FIG. 7 is a back view thereof; and,
FIG. 8 is a back perspective view thereof.
The portions of the drawings shown in broken lines form no part of the claimed design.

1 Claim, 8 Drawing Sheets



(56)

References Cited

U.S. PATENT DOCUMENTS

D541,045 S * 4/2007 Peart et al. D3/291
D542,529 S * 5/2007 Peart et al. D3/276
D558,977 S * 1/2008 Peart et al. D3/294
D561,994 S * 2/2008 Peart et al. D3/291
7,325,681 B2* 2/2008 Schonbach 206/317
D569,073 S 5/2008 Osiecki et al.
D570,074 S * 5/2008 Osiecki et al. D99/28

D571,524 S 6/2008 Kang et al.
D572,425 S * 7/2008 Themistos D99/28
7,451,872 B1* 11/2008 Allen 206/315.11
7,546,920 B1* 6/2009 Horn et al. 206/317
D624,275 S * 9/2010 Min D99/28
D631,225 S * 1/2011 Plato D99/28
D635,324 S * 3/2011 Plato D99/28
8,074,477 B1* 12/2011 Weiche 70/14
D651,785 S * 1/2012 Martin et al. D99/28
D667,195 S * 9/2012 Guo D99/28

* cited by examiner

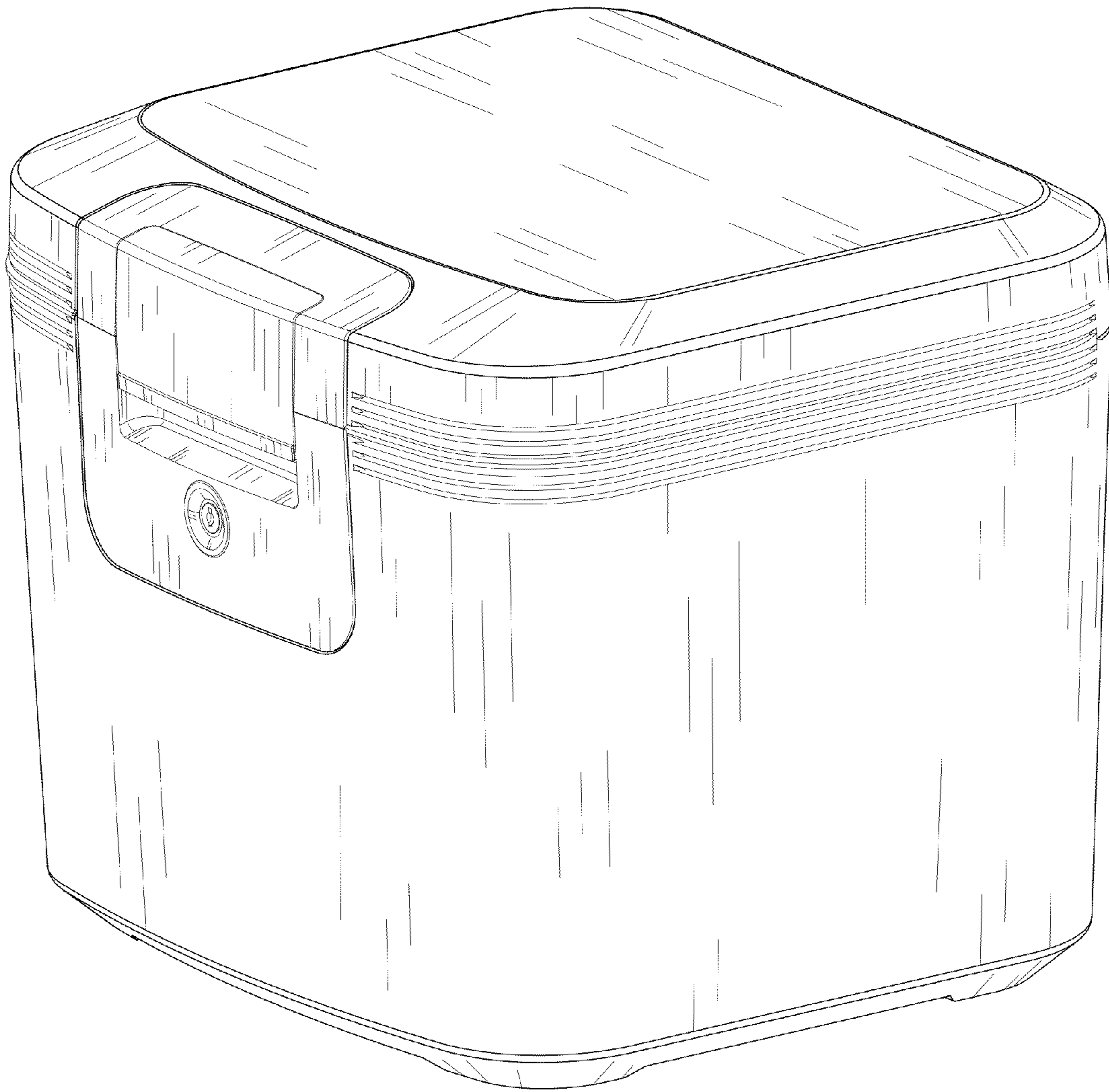


FIG. 1

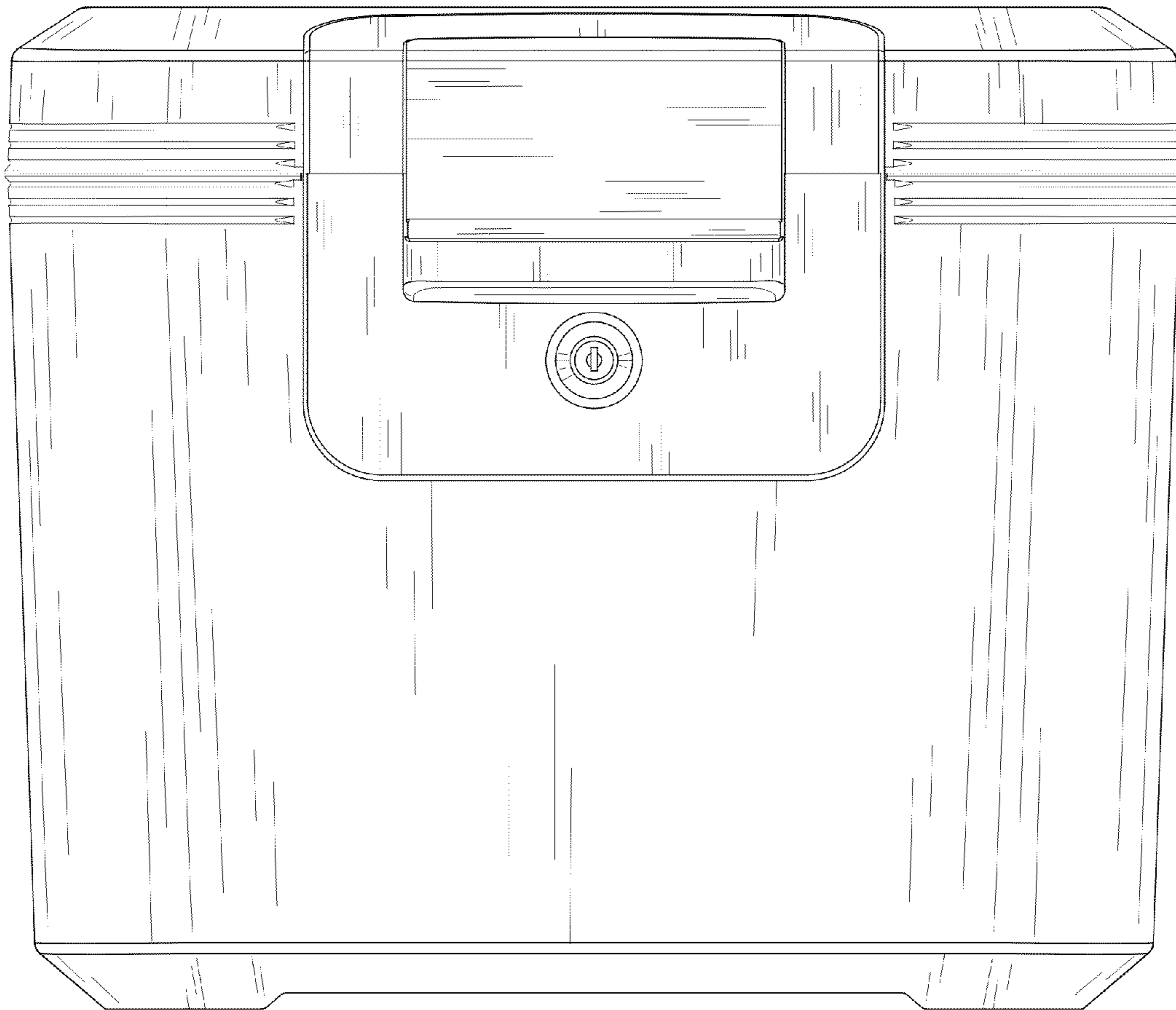


FIG. 2

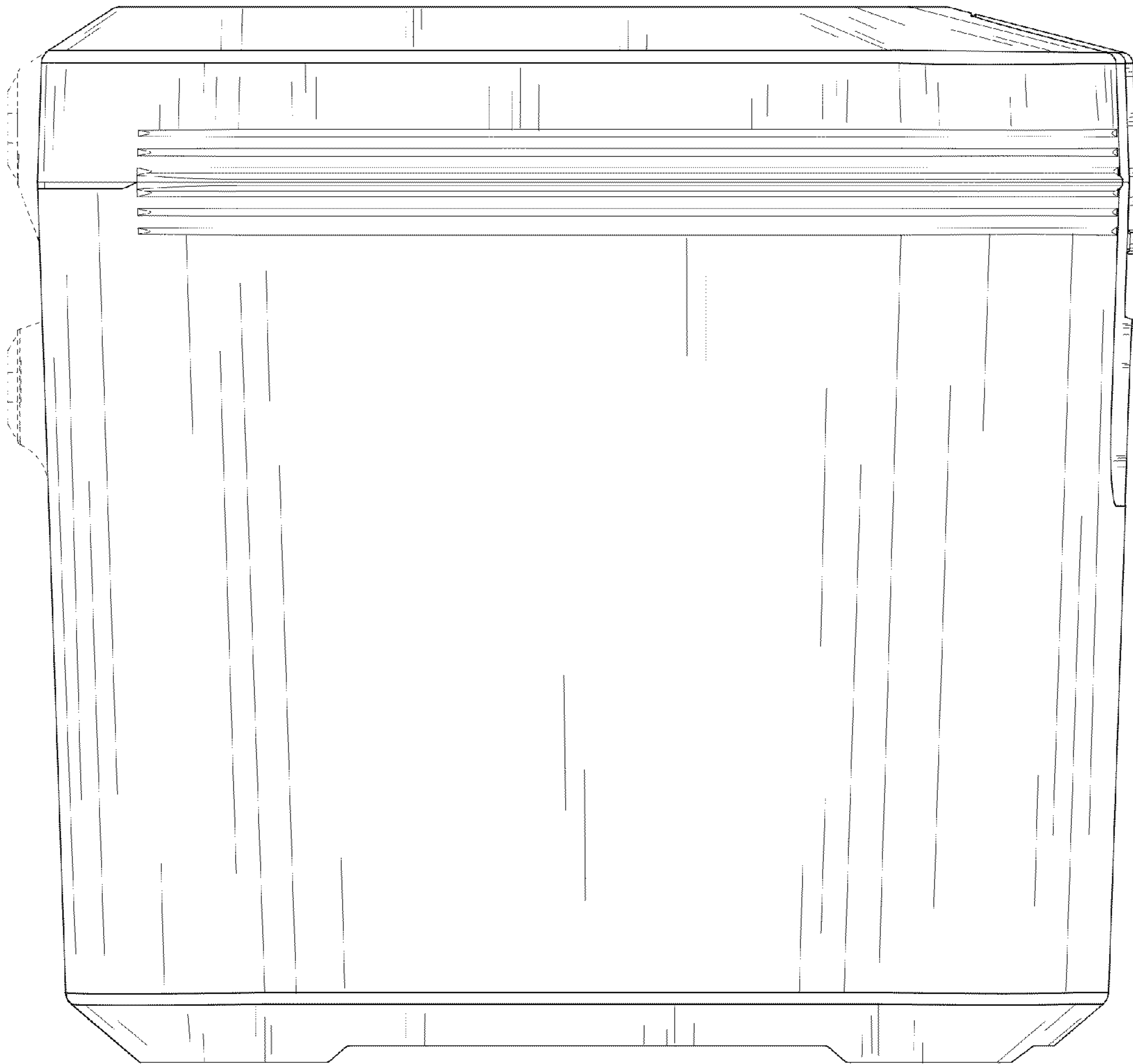


FIG. 3

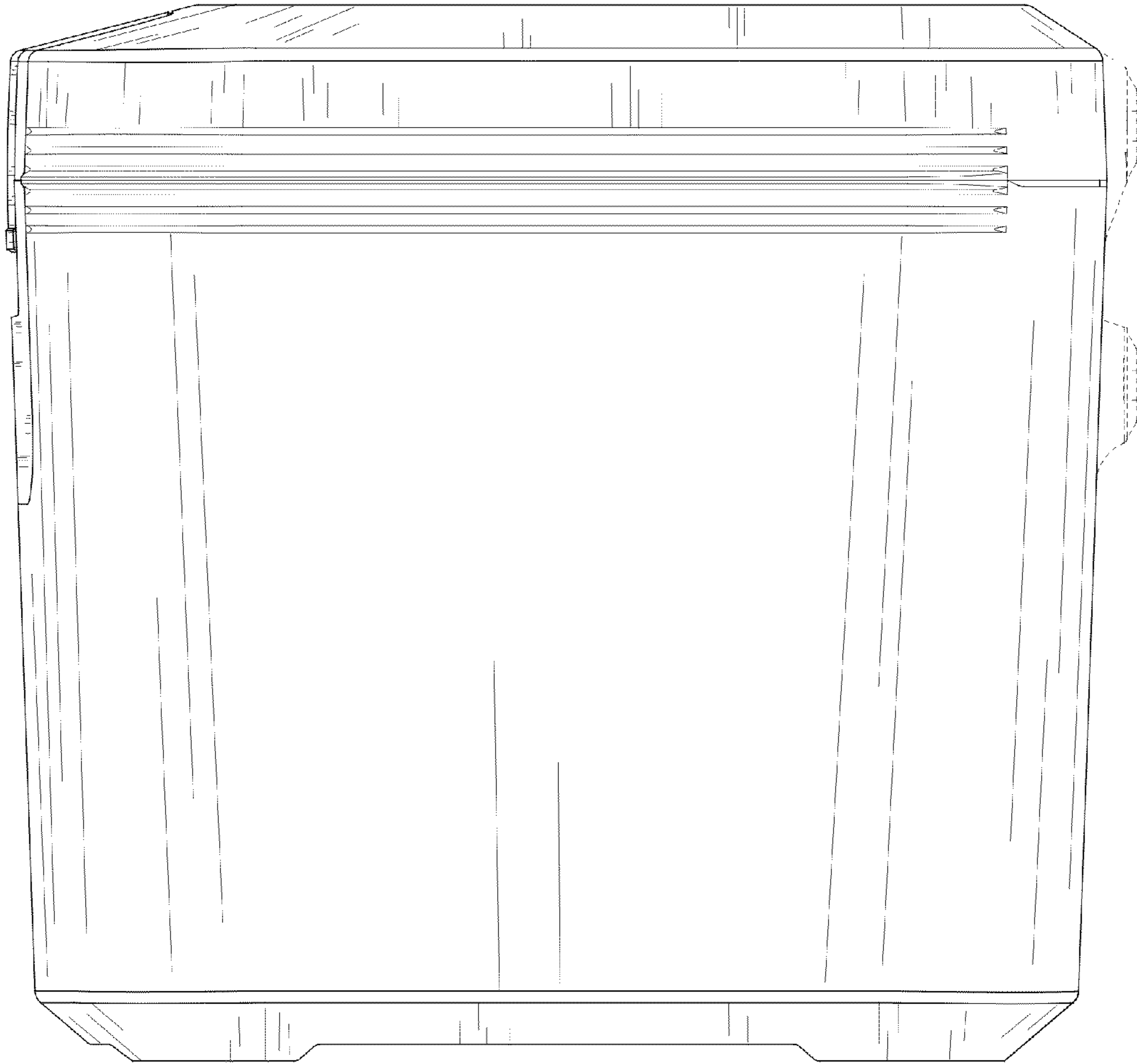


FIG. 4

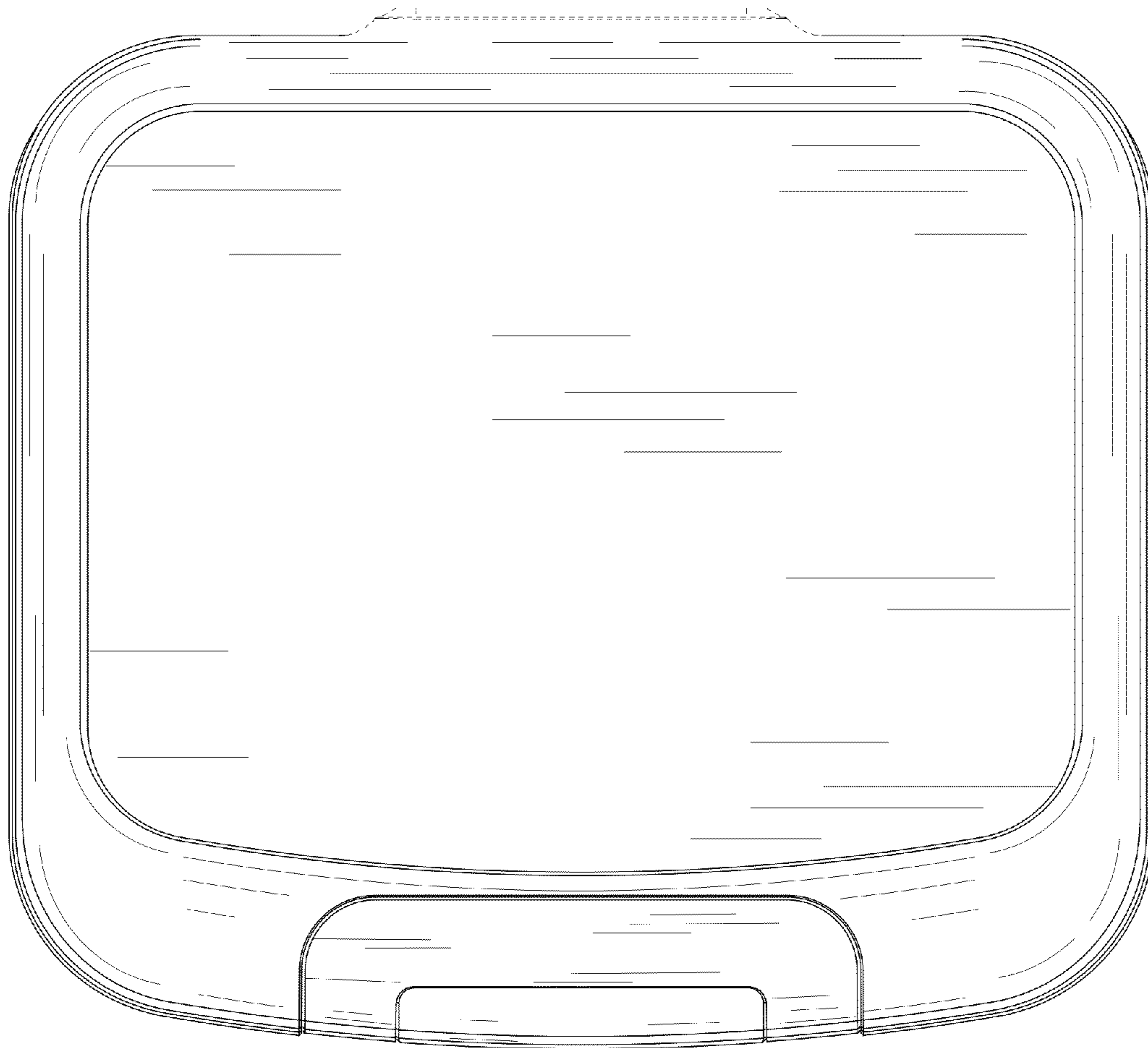


FIG. 5

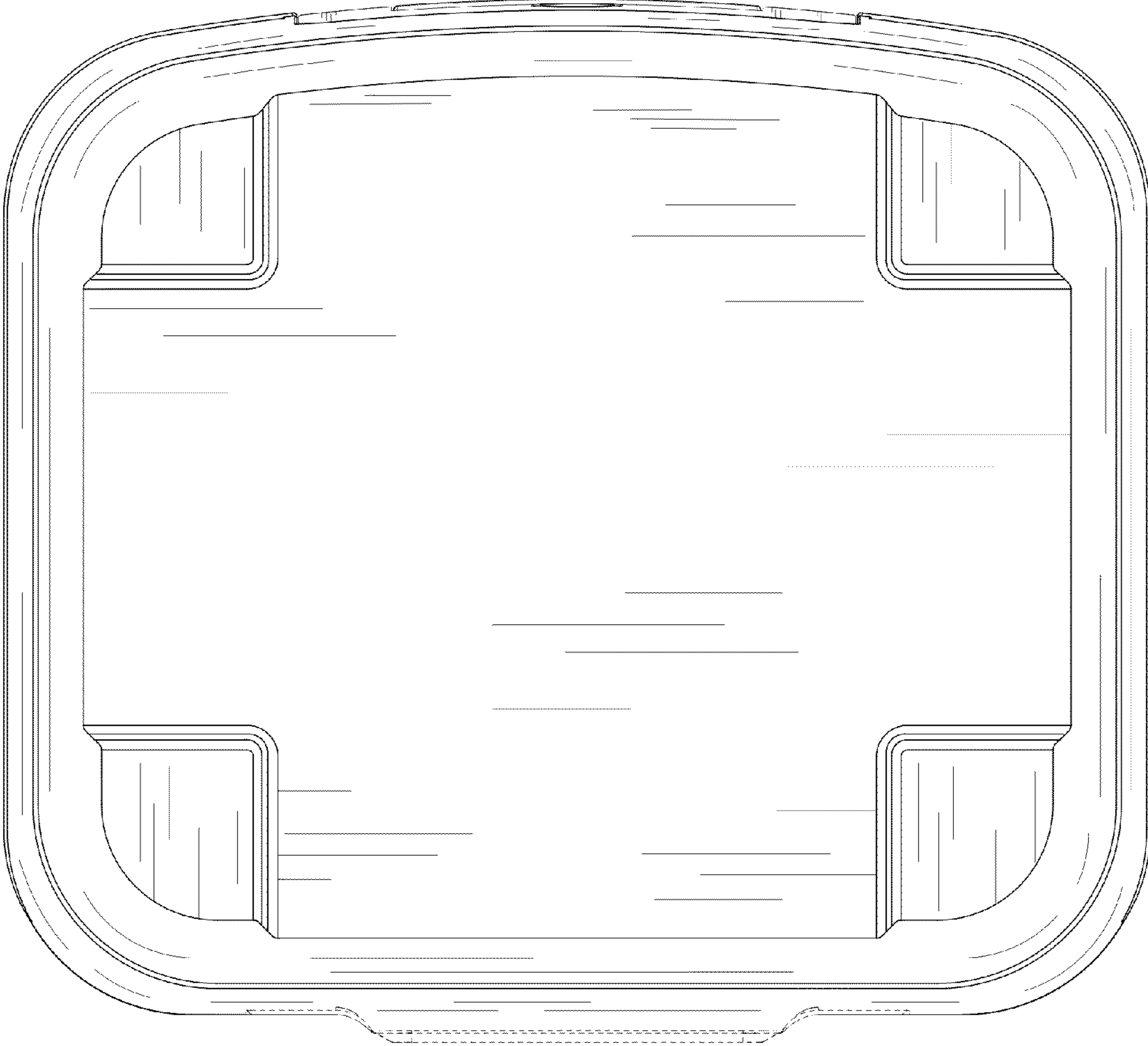


FIG. 6

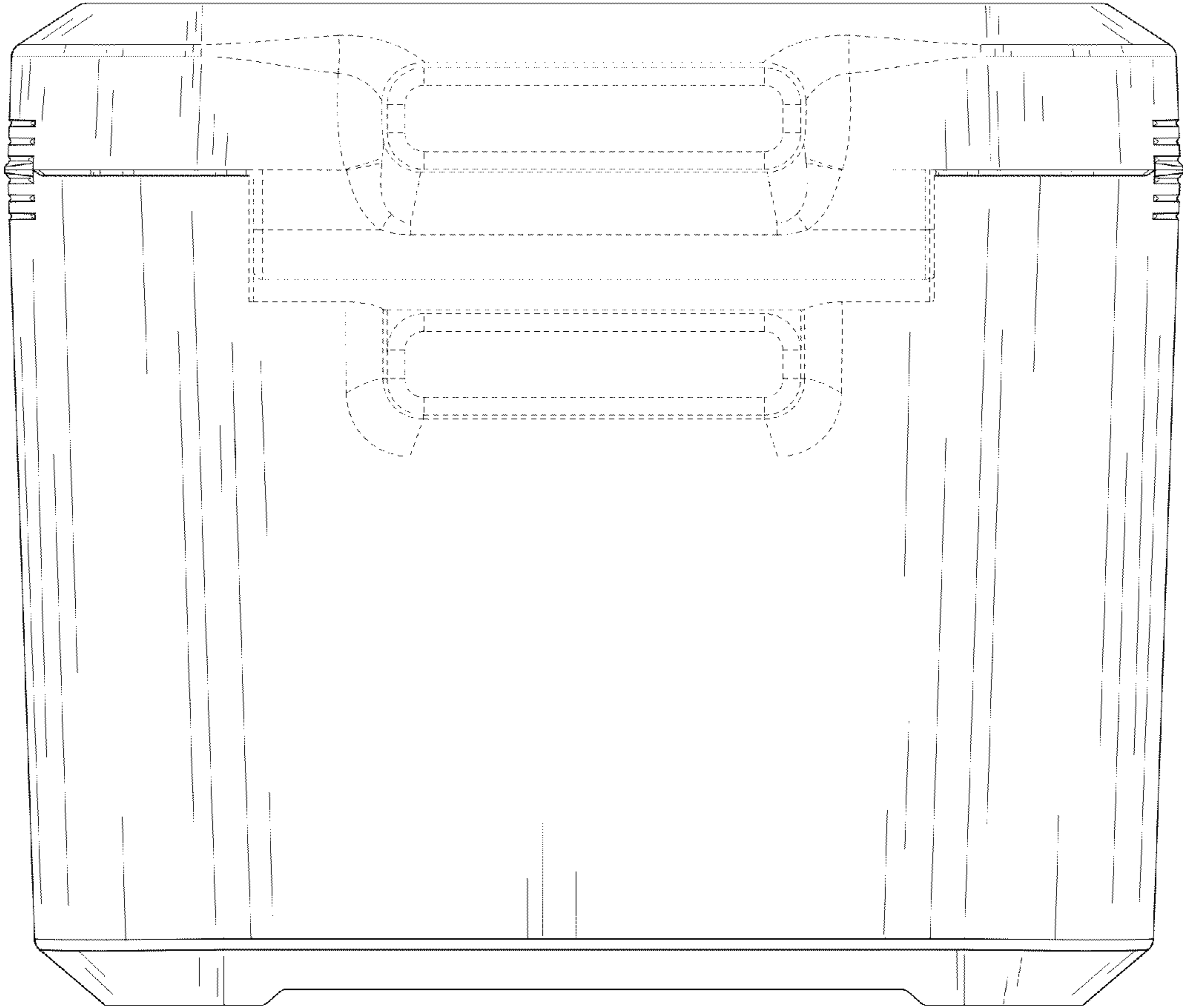


FIG. 7

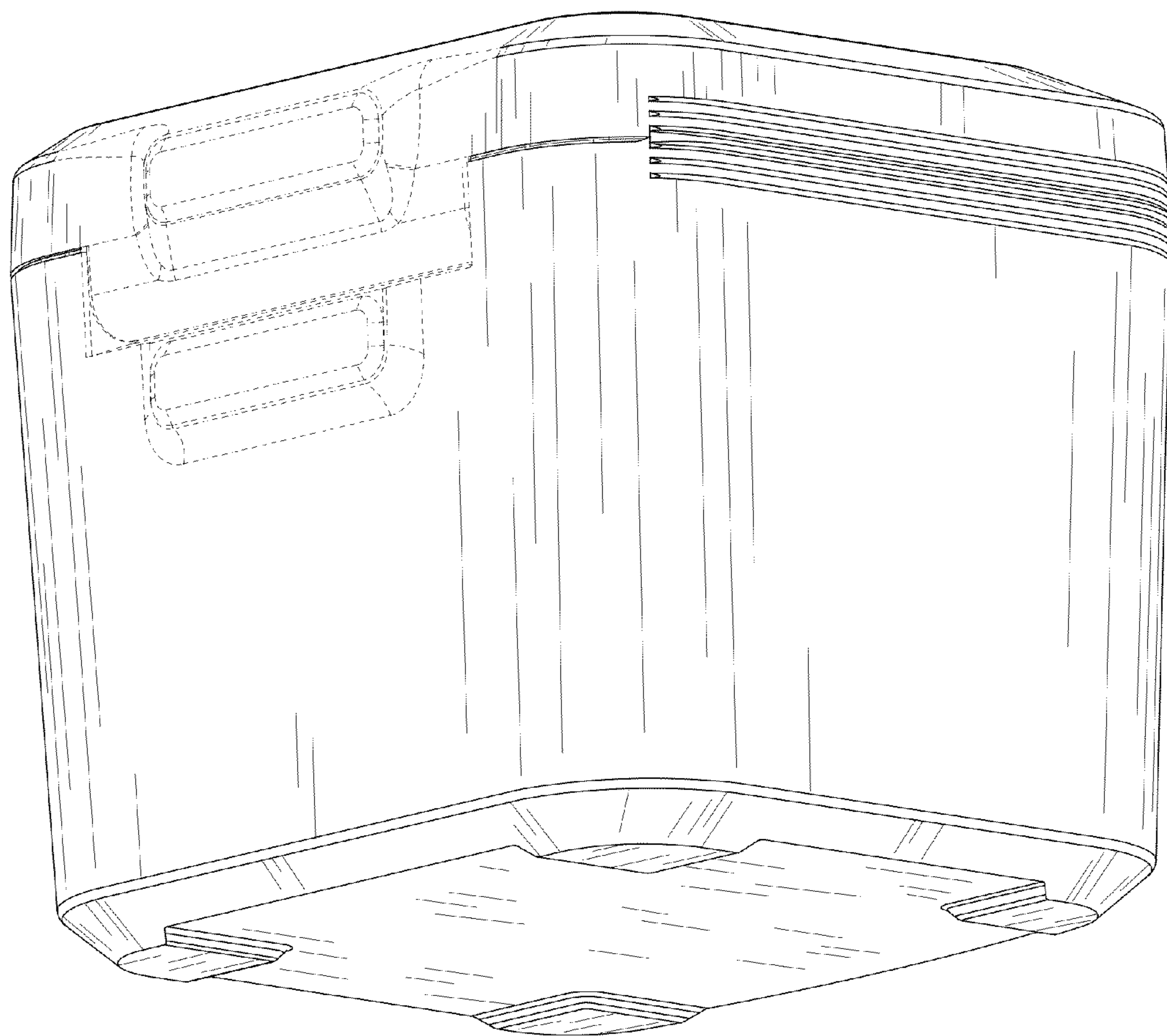


FIG. 8