



US00D731738S

(12) **United States Design Patent**  
**Jackson**

(10) **Patent No.:** **US D731,738 S**  
(45) **Date of Patent:** **\*\* Jun. 9, 2015**

- (54) **HEART-SHAPED KEEPSAKE**
- (71) Applicant: **Terry Wayne Jackson**, Tupelo, MS (US)
- (72) Inventor: **Terry Wayne Jackson**, Tupelo, MS (US)
- (\*\*) Term: **14 Years**
- (21) Appl. No.: **29/486,646**
- (22) Filed: **Apr. 1, 2014**
- (51) **LOC (10) Cl.** ..... **99-00**
- (52) **U.S. Cl.**  
USPC ..... **D99/3**
- (58) **Field of Classification Search**  
USPC ..... D99/3, 5, 21, 30, 37; 27/1; 52/103;  
D11/156, 83; 206/457, 583; D9/629;  
D21/385, 386; D3/221  
CPC ..... A61G 17/08  
See application file for complete search history.

(56) **References Cited**

**U.S. PATENT DOCUMENTS**

2,451,913	A	*	10/1948	Brice	.....	428/67
2,604,254	A	*	7/1952	Rosenfield	.....	229/116.2
D178,240	S	*	7/1956	Katz	.....	D11/86
D201,189	S	*	5/1965	Walker	.....	D21/408
D252,590	S	*	8/1979	Peretti et al.	.....	D28/80
D275,080	S	*	8/1984	Sun	.....	D3/271.3
D276,214	S	*	11/1984	Fry	.....	D3/205
D299,275	S	*	1/1989	Ott	.....	D24/103
4,929,025	A	*	5/1990	Lu	.....	297/452.51
D308,284	S	*	6/1990	Bergman et al.	.....	D2/978
5,006,375	A	*	4/1991	Mangan	.....	428/13
D325,004	S	*	3/1992	Tubbs	.....	D11/157
D363,303	S	*	10/1995	Winston	.....	D18/18
D407,854	S	*	4/1999	DeGaetano	.....	D28/80
D437,670	S	*	2/2001	Rivera et al.	.....	D99/5
D449,147	S	*	10/2001	Herwig	.....	D1/112
D451,623	S	*	12/2001	Zuloff	.....	D26/94
D457,096	S	*	5/2002	Rosner	.....	D11/125

D460,687	S	*	7/2002	Weinstock	.....	D9/629
D461,810	S	*	8/2002	Konig	.....	D14/403
D470,991	S	*	2/2003	Goldstein	.....	D99/5
D495,069	S	*	8/2004	Yu	.....	D26/26
D508,166	S	*	8/2005	Liu	.....	D3/271.1
D509,637	S	*	9/2005	Wozniak	.....	D99/5
D515,267	S	*	2/2006	Wozniak	.....	D99/5
D526,571	S	*	8/2006	Terrasi	.....	D9/629
7,337,904	B2	*	3/2008	Hengami	.....	206/457
D568,755	S	*	5/2008	Siegel	.....	D9/629
D588,057	S	*	3/2009	Soler My	.....	D13/100
D620,830	S	*	8/2010	Djordjevic	.....	D11/1
D622,024	S	*	8/2010	School	.....	D99/5
D635,323	S	*	3/2011	School	.....	D99/5
D648,504	S	*	11/2011	Khan	.....	D99/5
D663,365	S	*	7/2012	Vinther	.....	D21/350
D696,832	S	*	12/2013	Khan	.....	D99/5
D703,915	S	*	4/2014	Irvine et al.	.....	D99/5

\* cited by examiner

*Primary Examiner* — Paula Greene

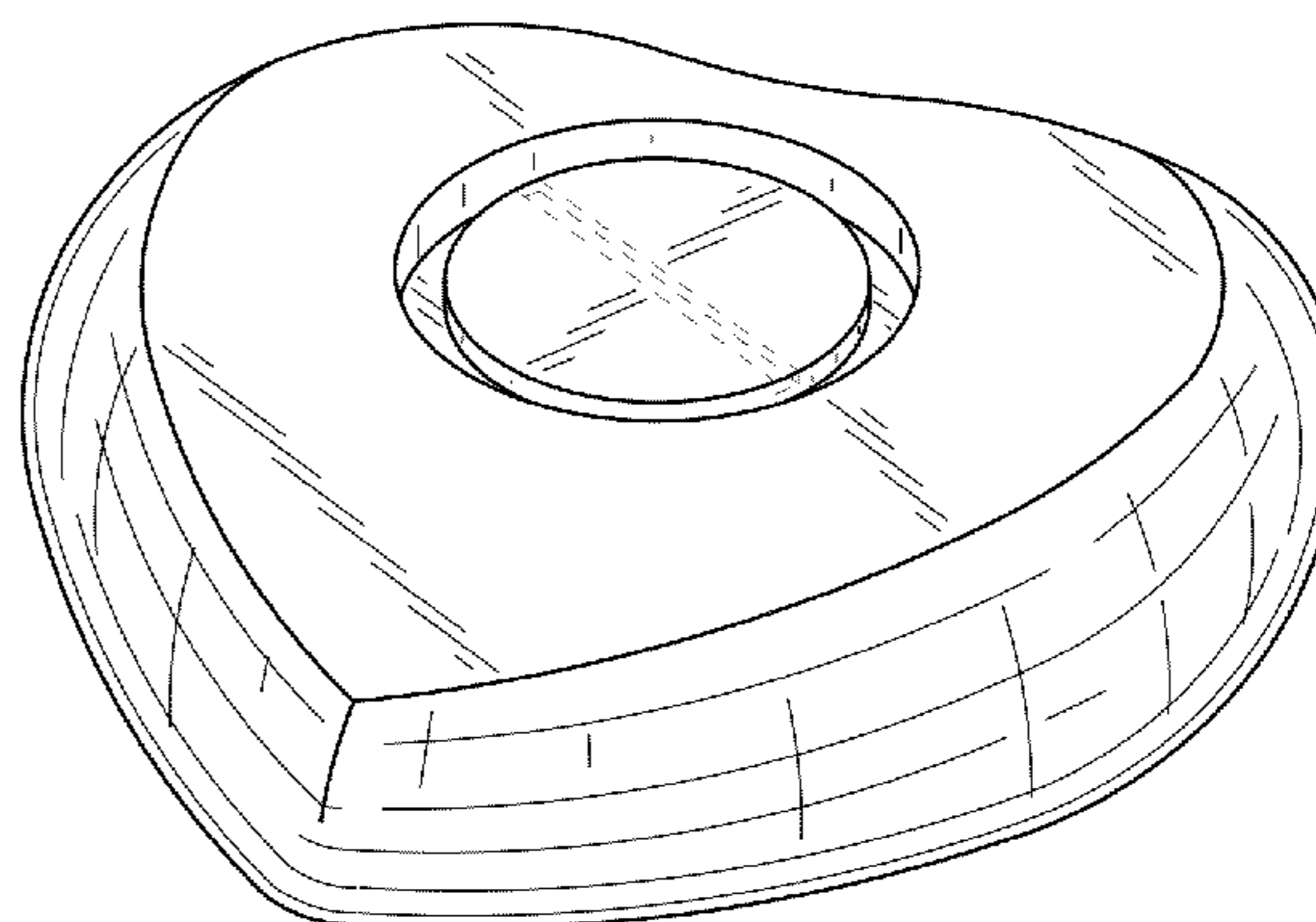
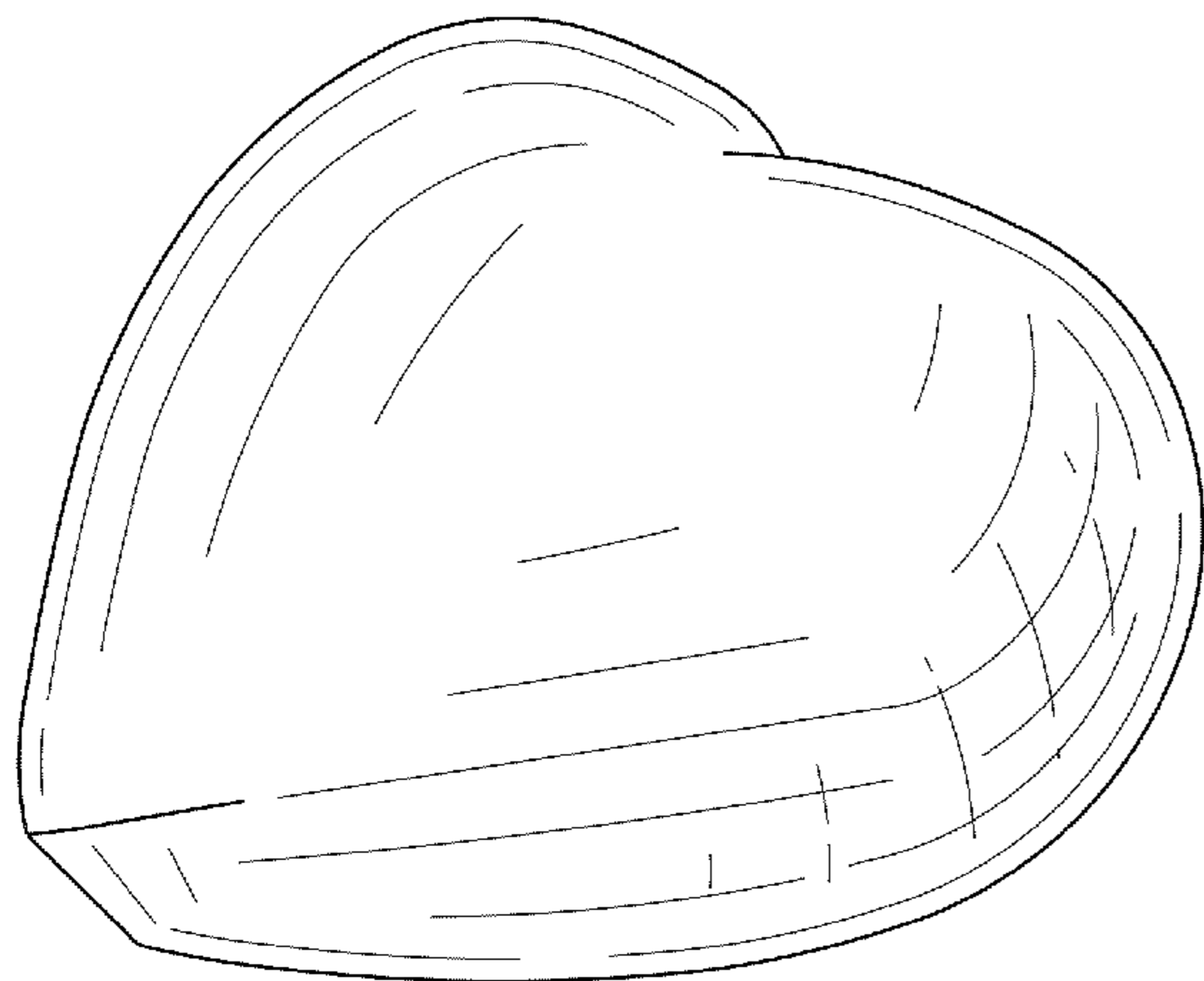
(57) **CLAIM**

The ornamental design for a heart-shaped keepsake, as shown and described.

**DESCRIPTION**

FIG. 1 is a perspective top view of a heart-shaped keepsake; FIG. 2 is a perspective bottom view of the heart-shaped keepsake; FIG. 3 is a front elevation view of the heart-shaped keepsake; FIG. 4 is a rear elevation view being a mirror image thereof; FIG. 5 is a left side elevation view of the heart-shaped keepsake, the right side elevation view being a mirror image thereof; FIG. 6 is a top plan view of the heart-shaped keepsake; and, FIG. 7 is a bottom plan view of the heart-shaped keepsake. The broken lines shown in FIG. 2 and FIG. 7 are for illustrative purposes only and form no part of the claimed design.

**1 Claim, 3 Drawing Sheets**



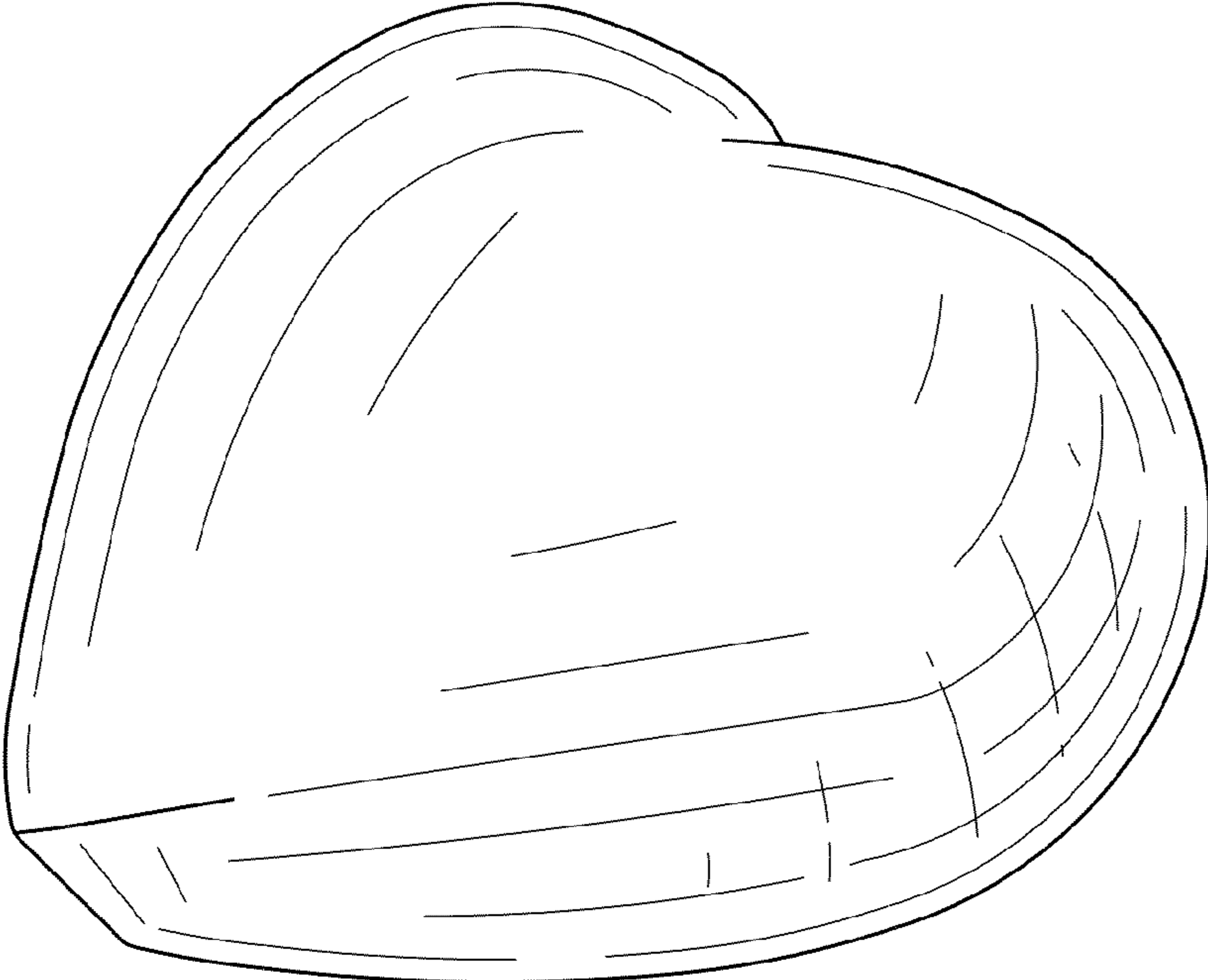


FIG. 1

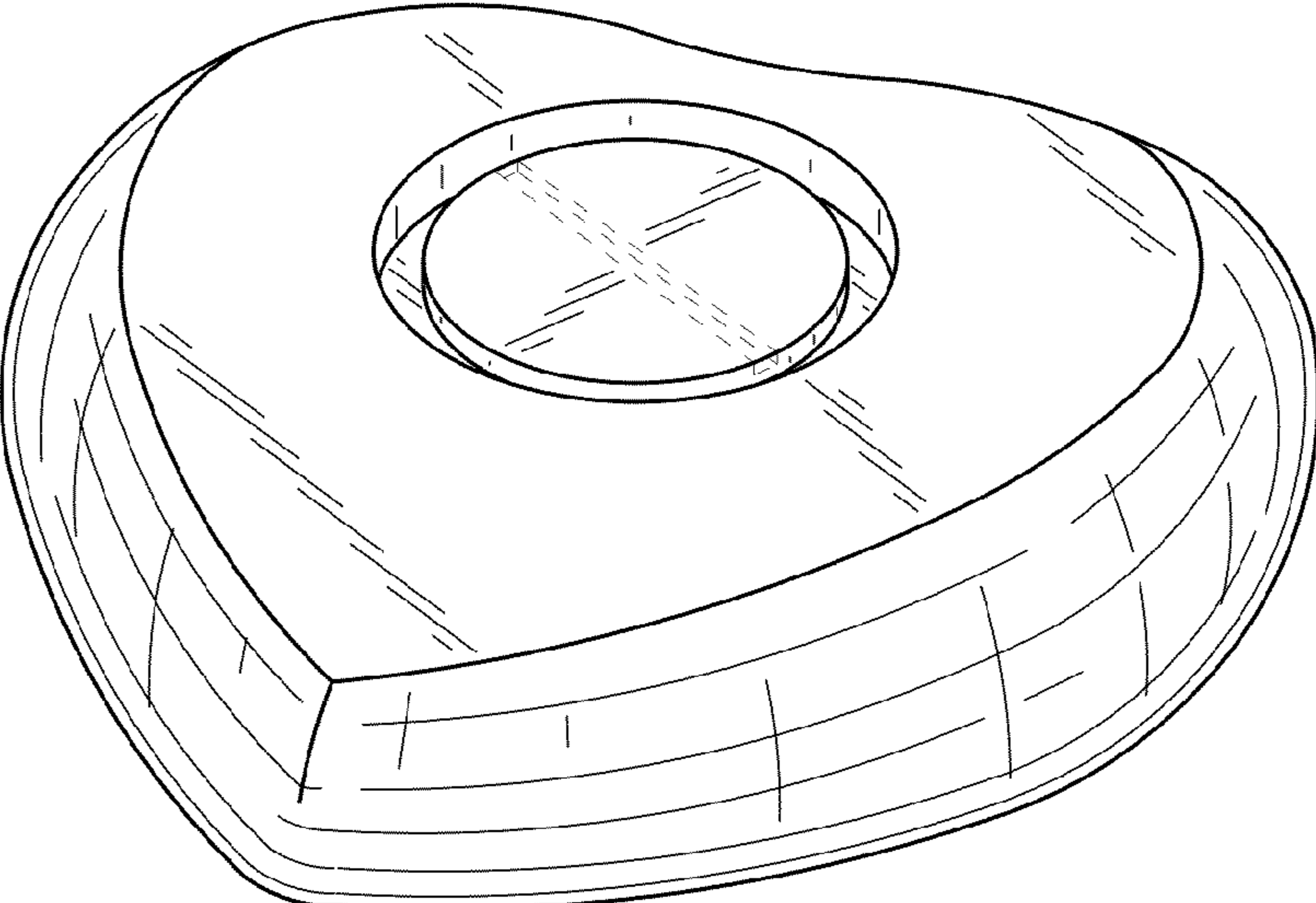


FIG. 2

FIG. 3

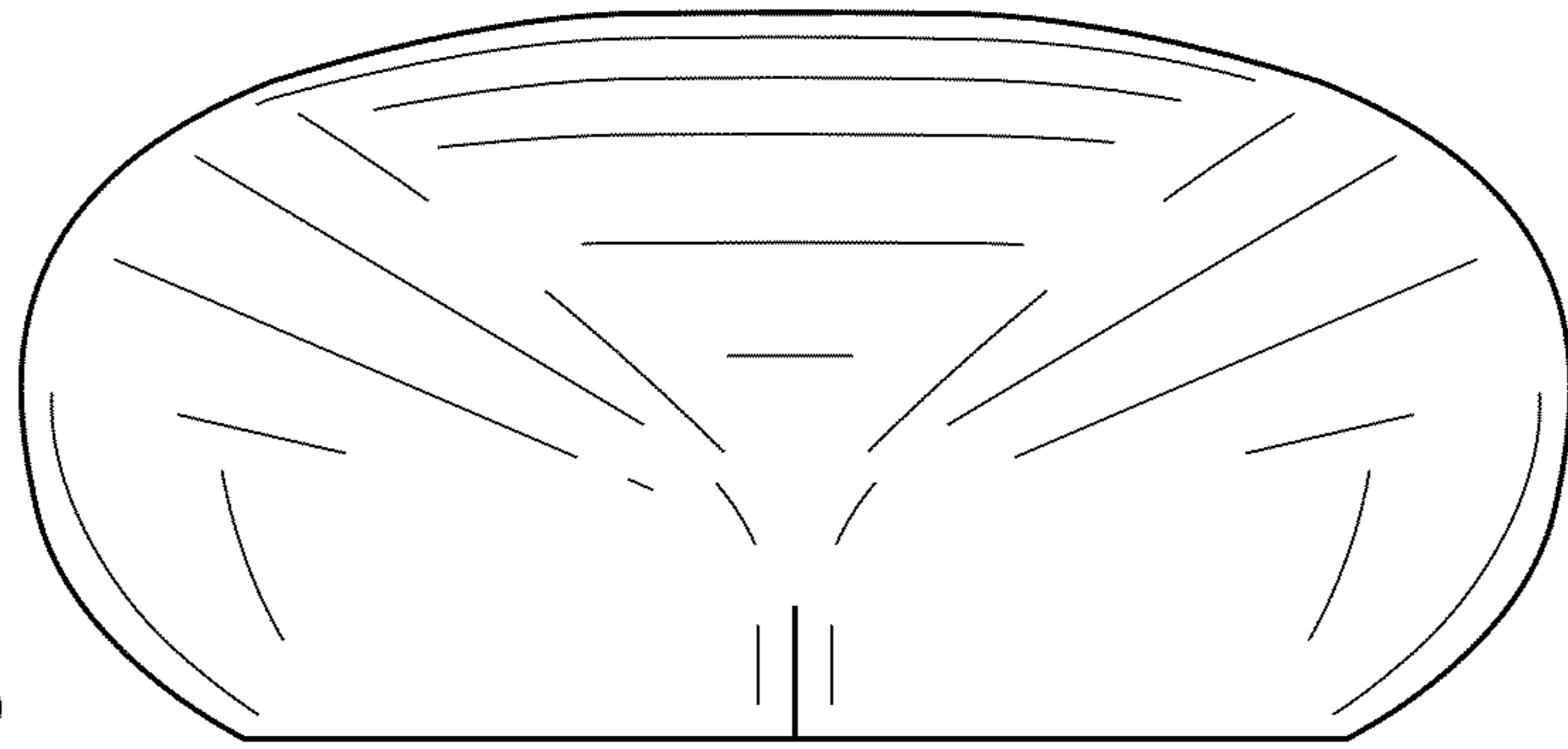


FIG. 4

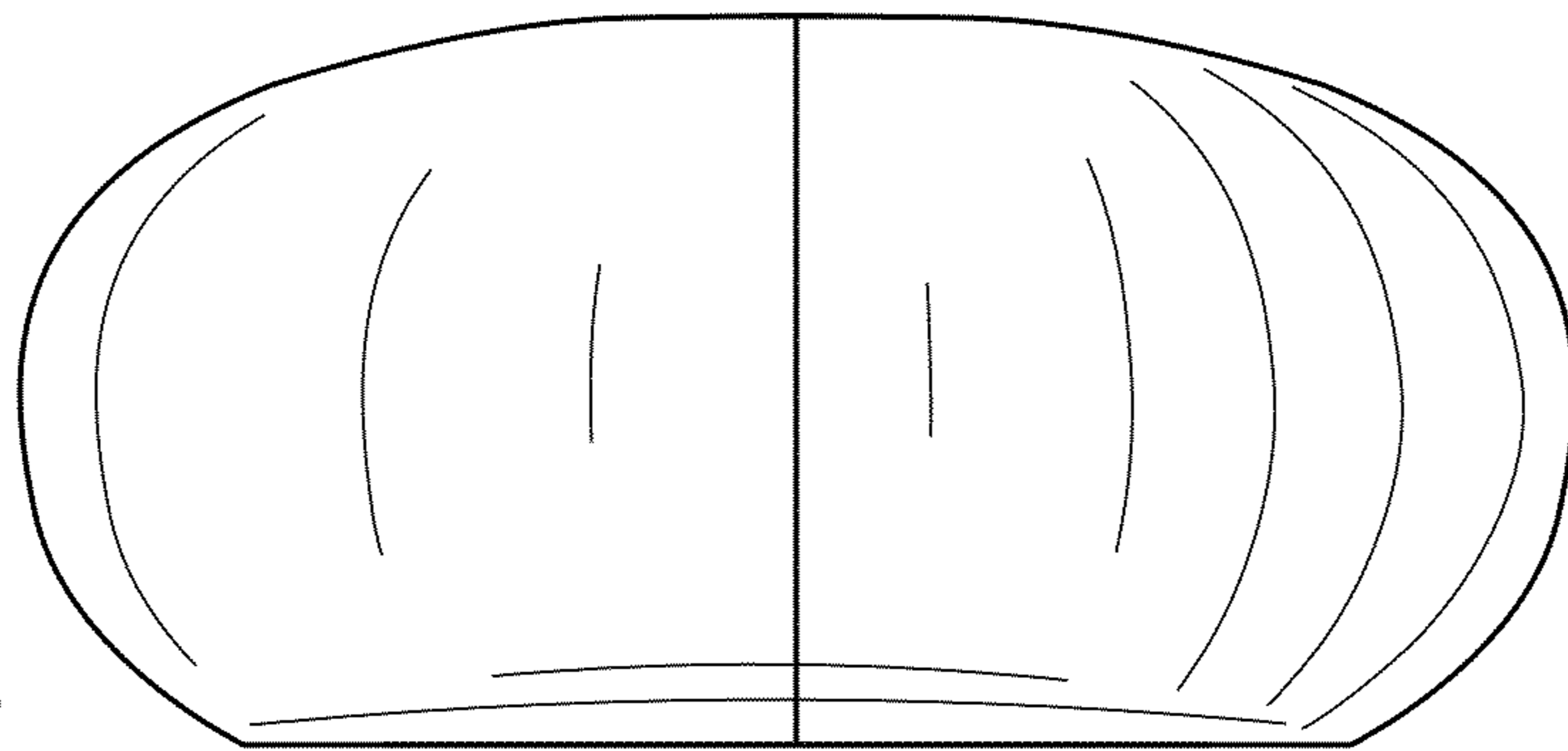
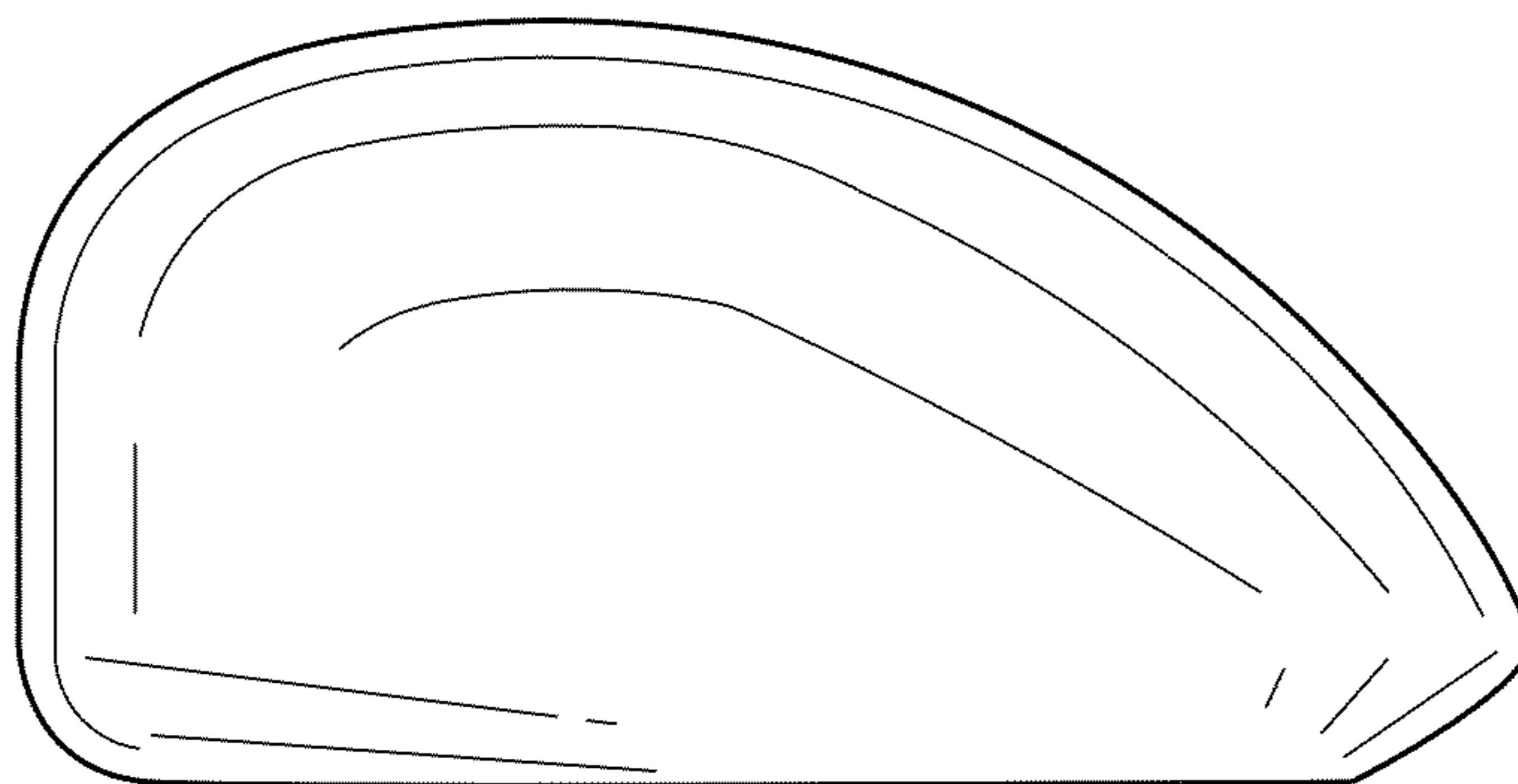


FIG. 5



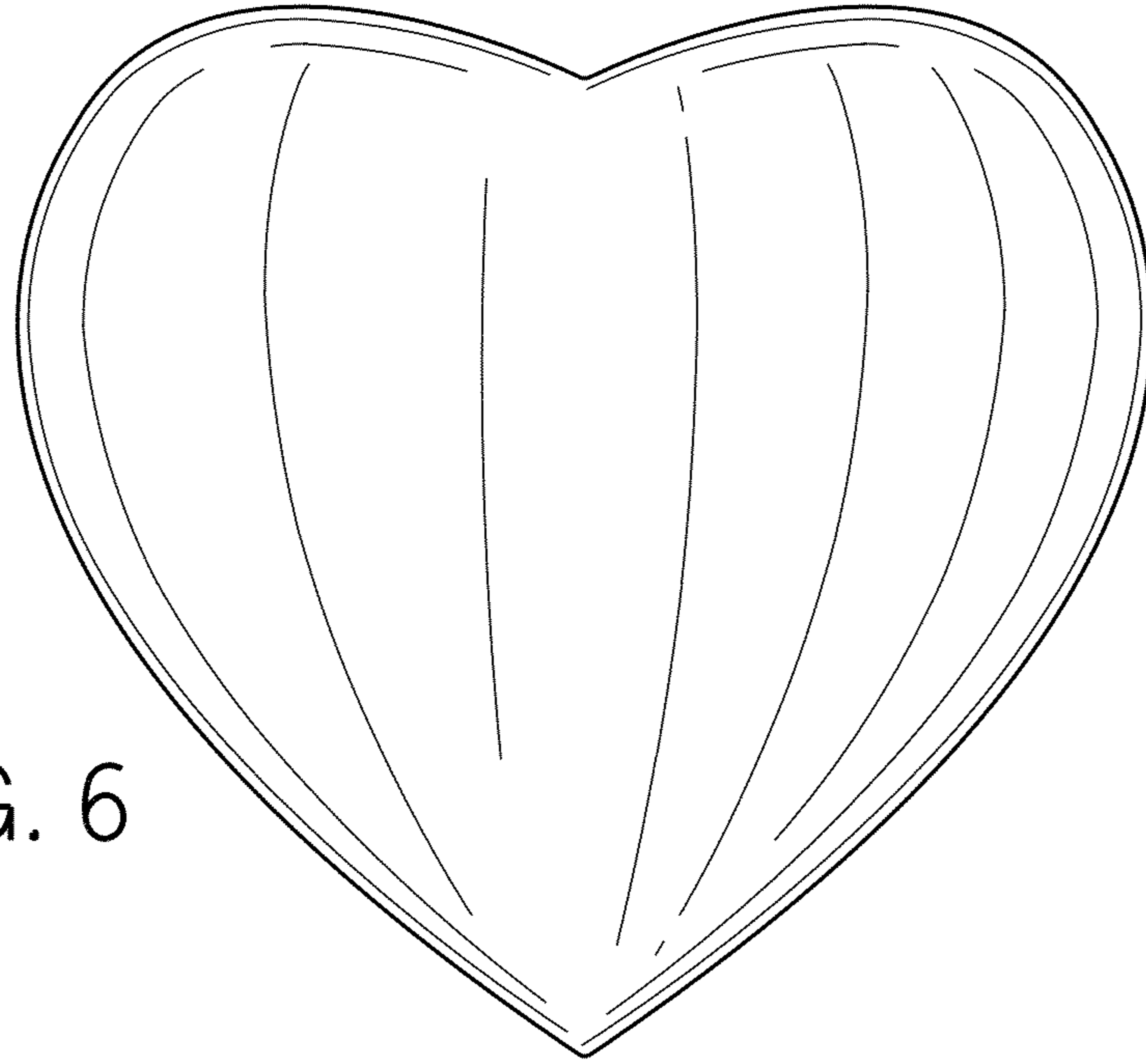


FIG. 6

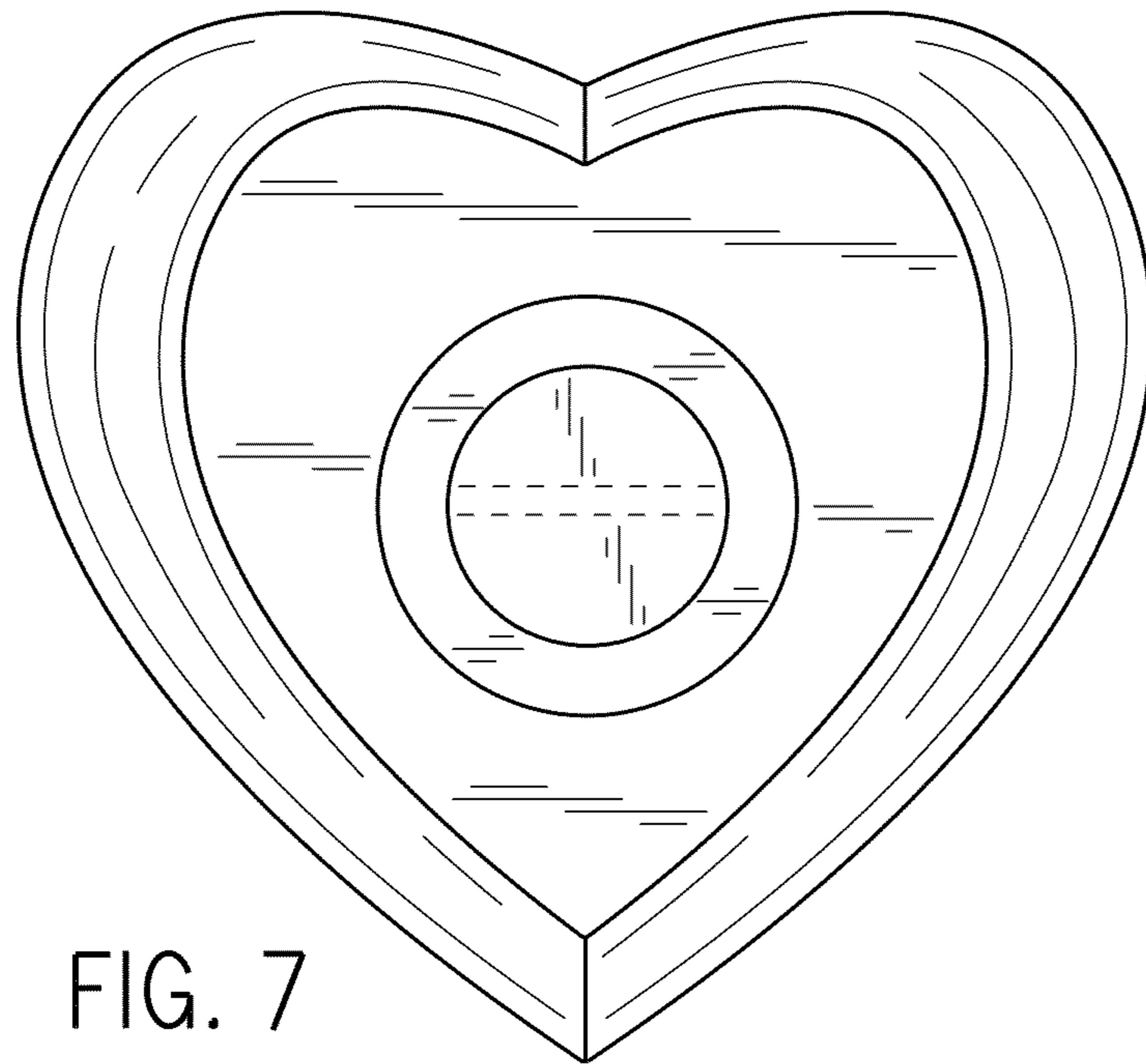


FIG. 7