



US00D731736S

(12) **United States Design Patent**  
**Kurihara et al.**

(10) **Patent No.:** **US D731,736 S**  
(45) **Date of Patent:** **\*\* Jun. 9, 2015**

(54) **FORKLIFT TRUCK**

(56) **References Cited**

(71) Applicants: **Kazuhiro Kurihara**, Oyama (JP);  
**Norikazu Nakazawa**, Oyama (JP);  
**Kazuhiro Kurita**, Oyama (JP);  
**Teruhisa Iwata**, Tokyo (JP); **Kouhei**  
**Miyazaki**, Tokyo (JP)

U.S. PATENT DOCUMENTS

D579,620 S	*	10/2008	Mori et al.	.....	D34/34
D586,974 S	*	2/2009	Mori et al.	.....	D34/34
D587,425 S	*	2/2009	Mori et al.	.....	D34/34
D663,502 S	*	7/2012	Lin	.....	D34/34
D681,902 S	*	5/2013	Hiraoka et al.	.....	D34/34
D694,984 S	*	12/2013	Kawakami et al.	.....	D34/34
D703,908 S	*	4/2014	Hiraoka et al.	.....	D34/34

(72) Inventors: **Kazuhiro Kurihara**, Oyama (JP);  
**Norikazu Nakazawa**, Oyama (JP);  
**Kazuhiro Kurita**, Oyama (JP);  
**Teruhisa Iwata**, Tokyo (JP); **Kouhei**  
**Miyazaki**, Tokyo (JP)

\* cited by examiner

*Primary Examiner* — Cynthia Ramirez

(73) Assignee: **KOMATSU LTD.**, Tokyo (JP)

(74) *Attorney, Agent, or Firm* — Manabu Kanesaka

(\*\*) Term: **14 Years**

(57) **CLAIM**

(21) Appl. No.: **29/463,013**

The ornamental design for a forklift truck, as shown and described.

(22) Filed: **Jul. 8, 2013**

(30) **Foreign Application Priority Data**

**DESCRIPTION**

Feb. 28, 2013 (JP) ..... 2013-004184

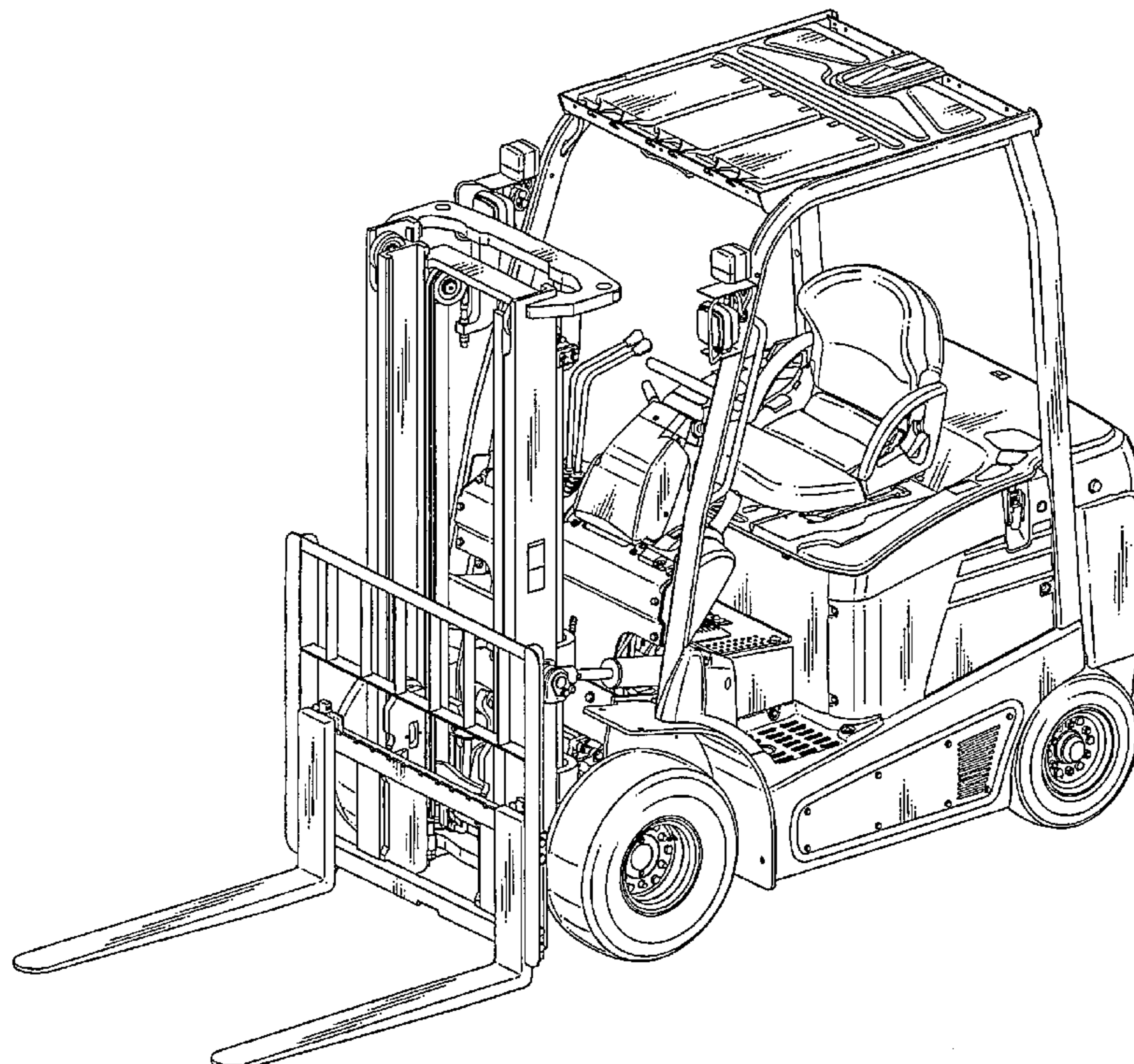
(51) **LOC (10) Cl.** ..... **12-05**

(52) **U.S. Cl.**  
USPC ..... **D34/34**

(58) **Field of Classification Search**  
USPC ..... D34/34, 35; 180/89.12, 89.13, 89.17;  
187/222, 237, 238, 414  
CPC ..... B66F 17/003; B66F 9/24; B66F 9/12;  
B66F 9/0755; B66F 9/0757  
See application file for complete search history.

FIG. 1 is a perspective view of a forklift truck showing our new design;  
FIG. 2 is another perspective view thereof;  
FIG. 3 is a front view thereof;  
FIG. 4 is a rear view thereof;  
FIG. 5 is a left side view thereof;  
FIG. 6 is a right side view thereof; and,  
FIG. 7 is a top plan view thereof.

**1 Claim, 7 Drawing Sheets**



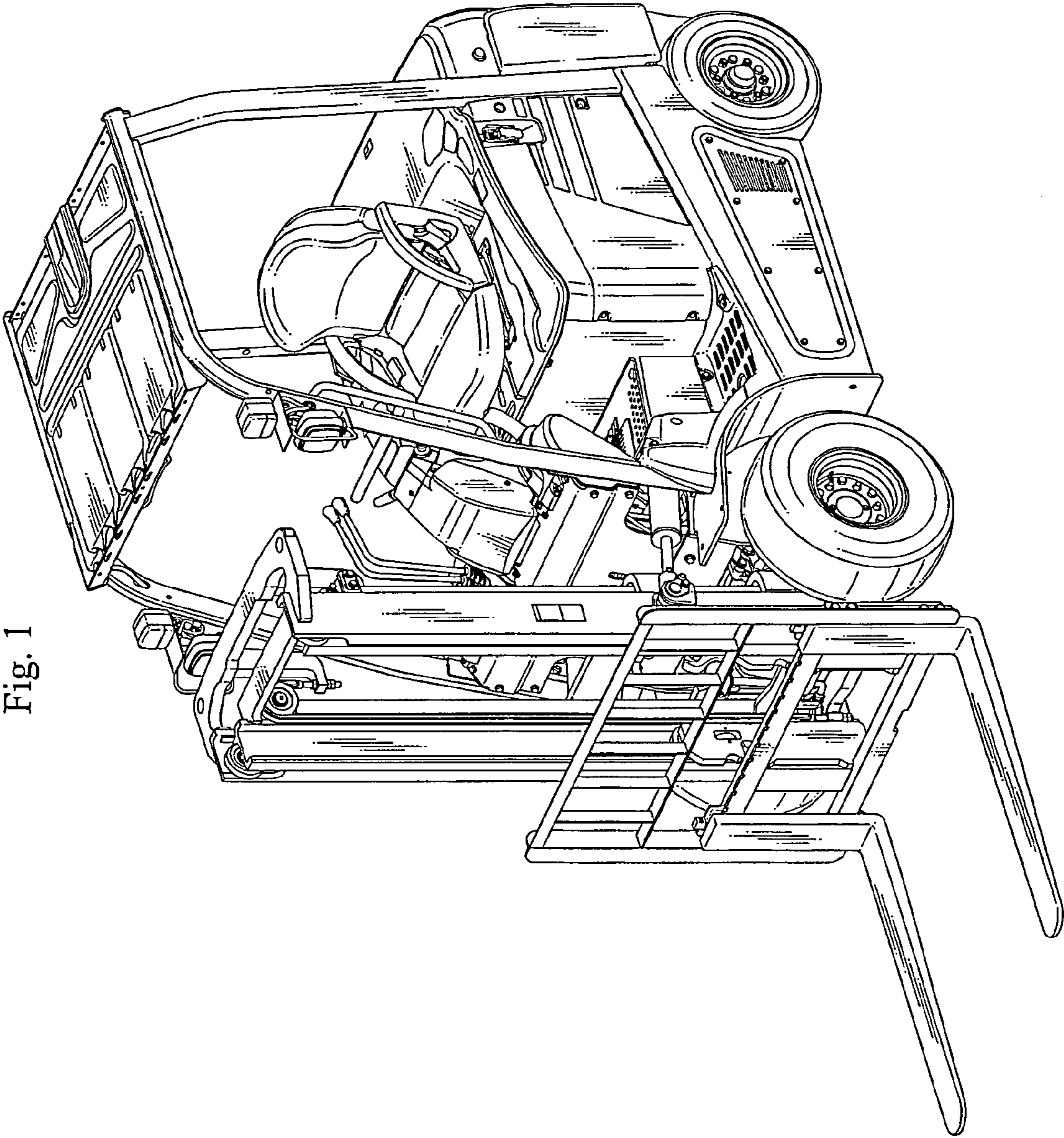


Fig. 1



Fig. 2

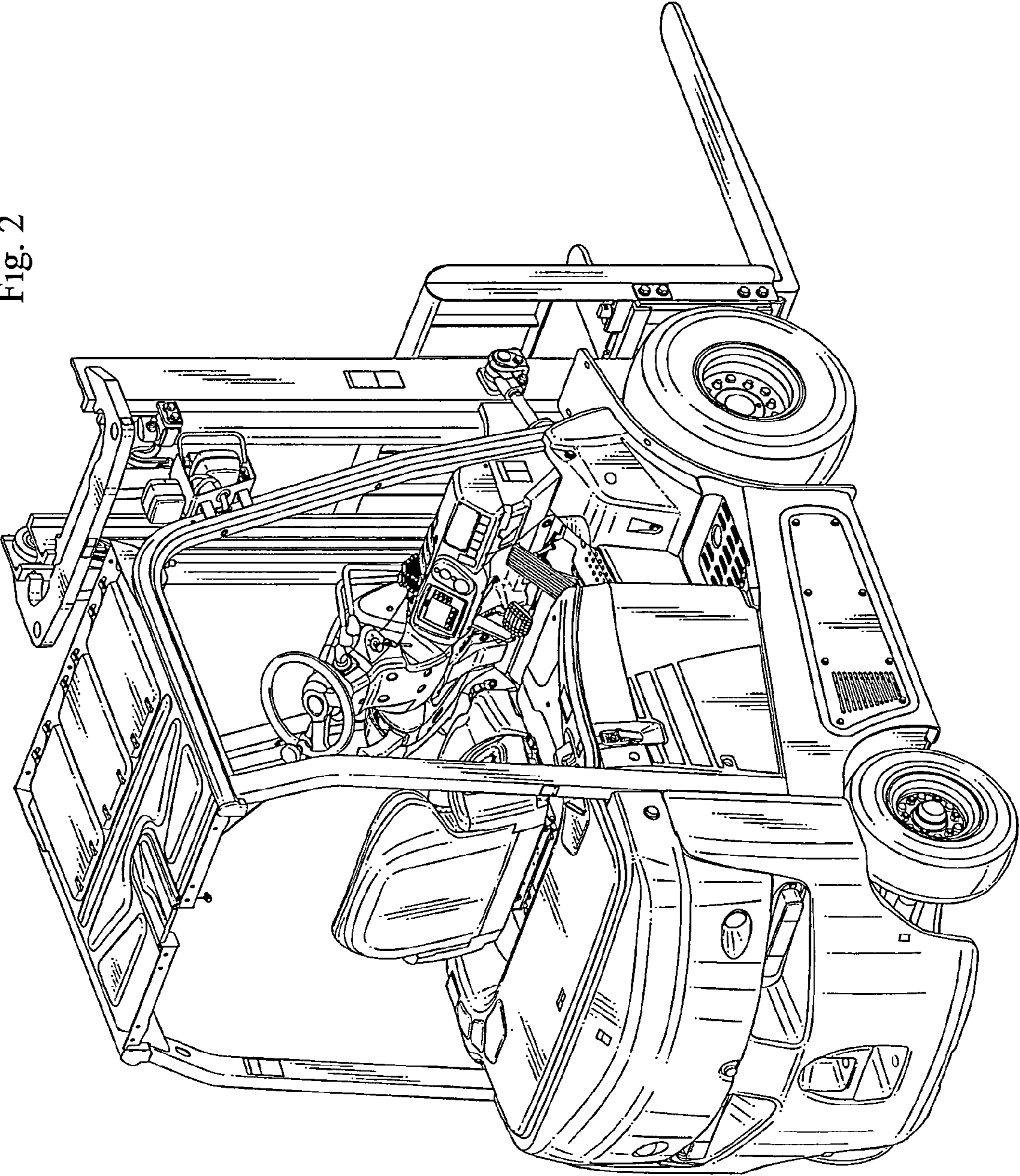


Fig. 3

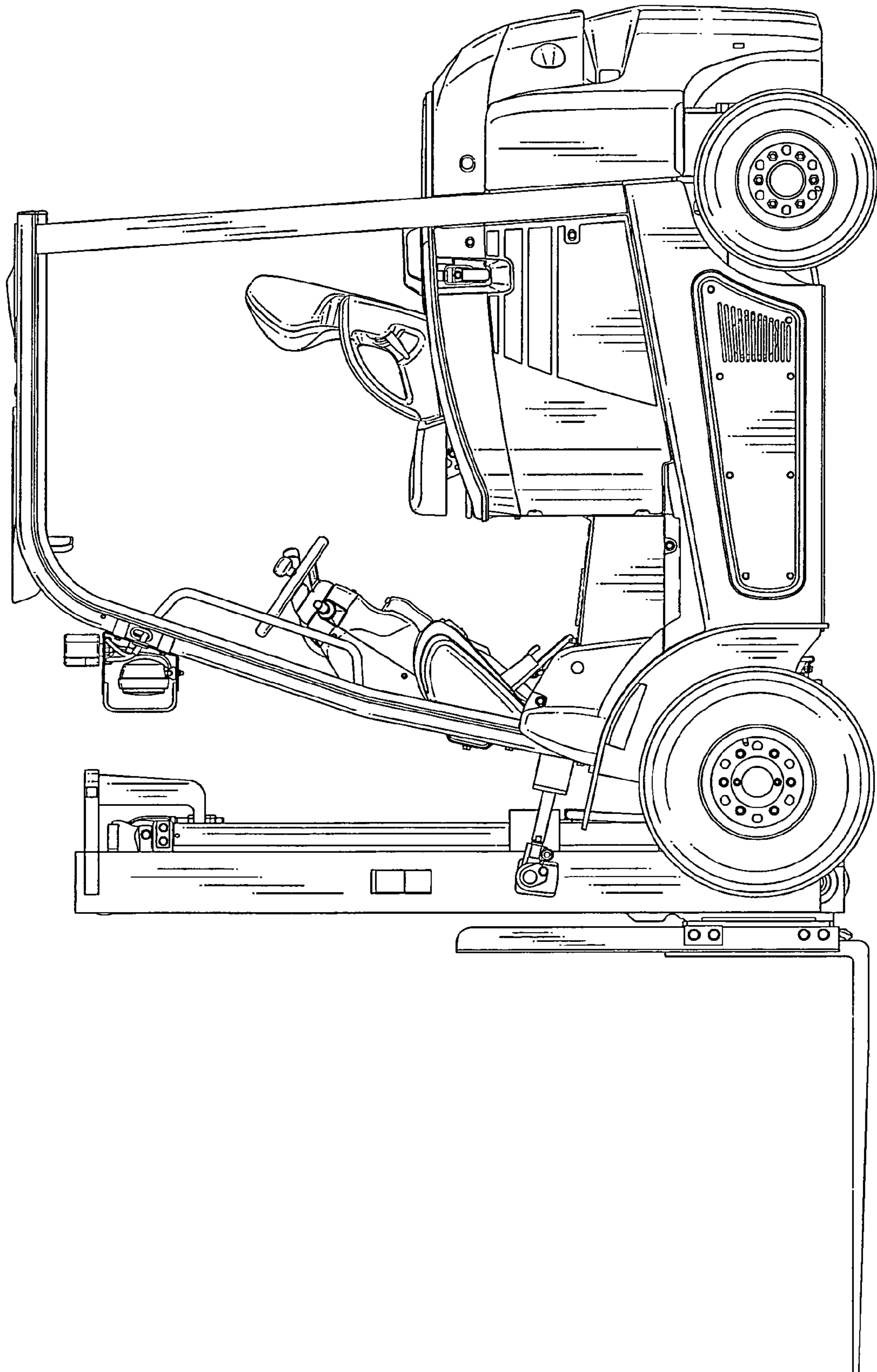


Fig. 4

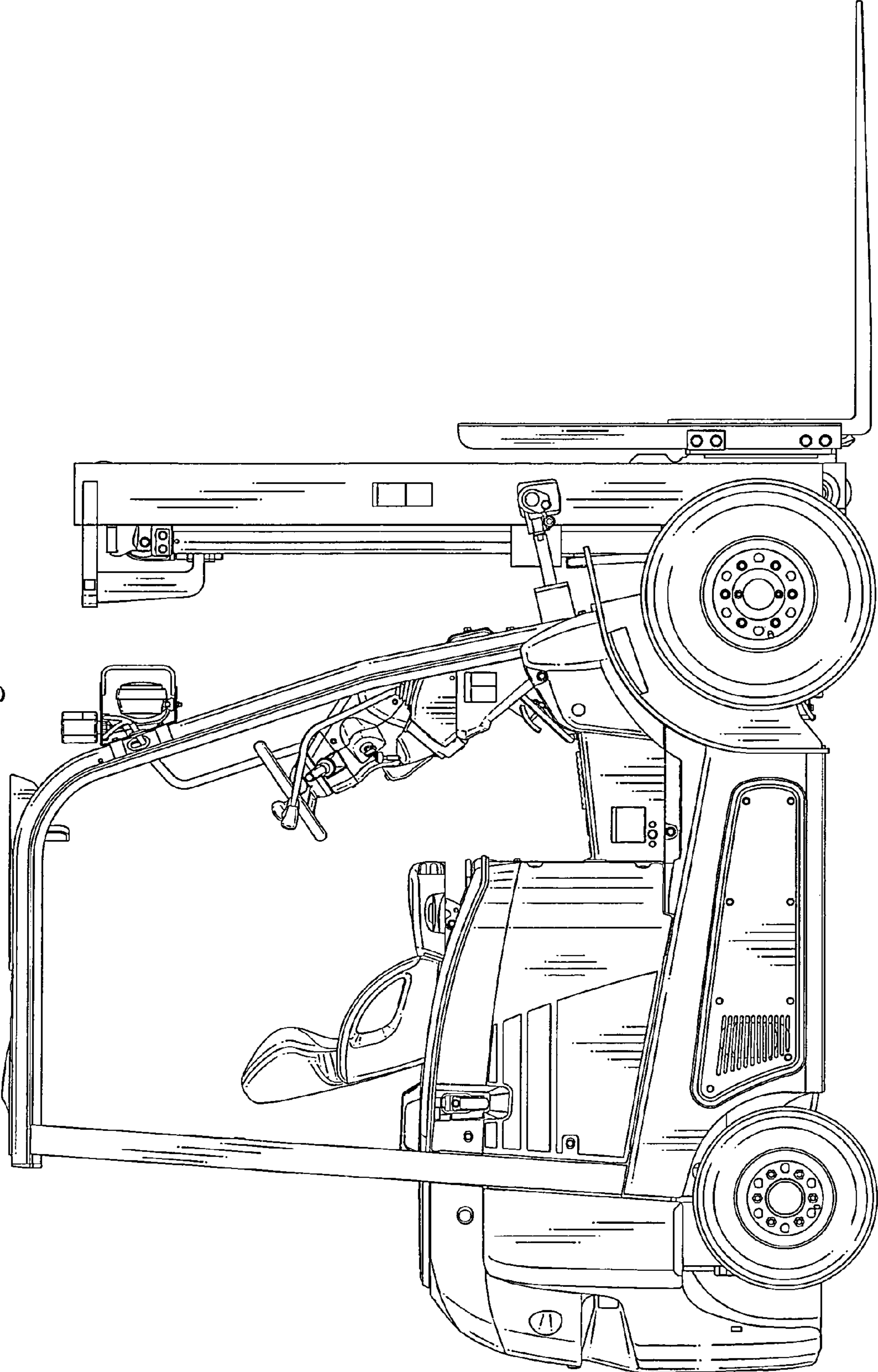




Fig. 5

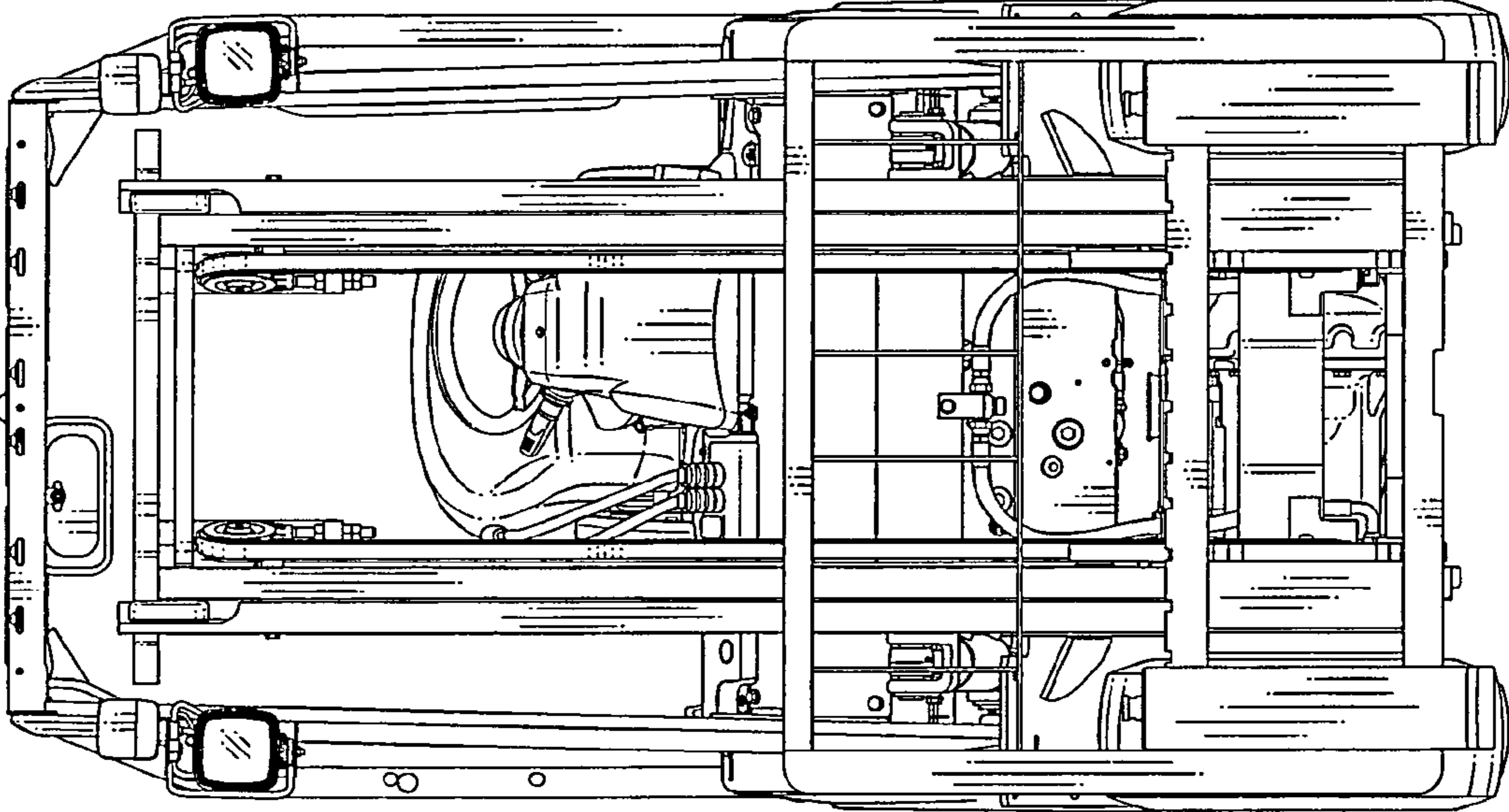


Fig. 6

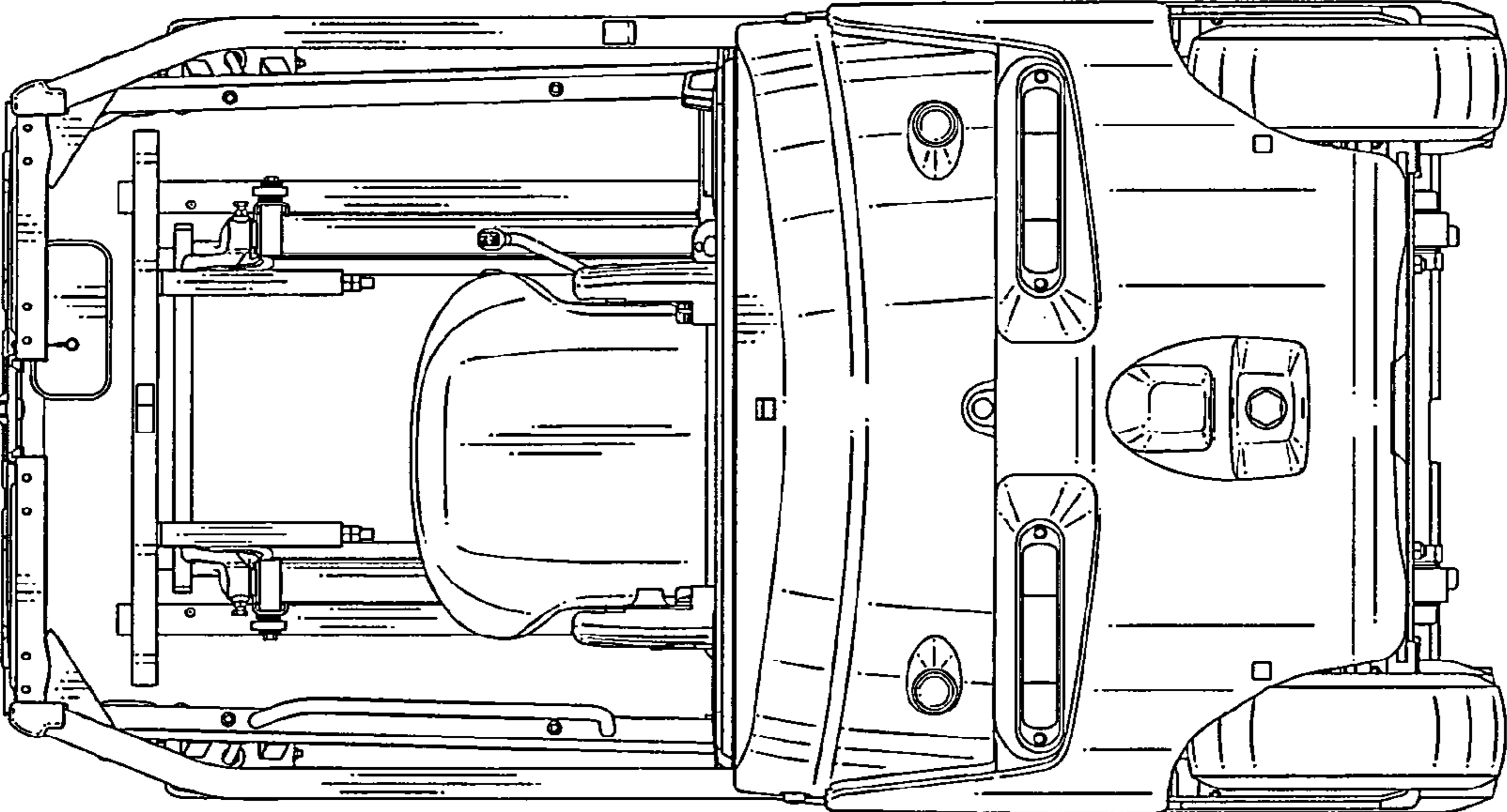


Fig. 7

