



US00D731735S

(12) **United States Design Patent**
Martinez Martinez

(10) **Patent No.:** **US D731,735 S**
(45) **Date of Patent:** **** Jun. 9, 2015**

- (54) **LIFTING JACK**
- (71) Applicant: **Antonio Martinez Martinez, Berriz**
(ES)
- (72) Inventor: **Antonio Martinez Martinez, Berriz**
(ES)
- (73) Assignee: **Melchor Gabilondo, S.A., Berriz**
(Vizcaya) (ES)
- (**) Term: **14 Years**
- (21) Appl. No.: **29/490,291**
- (22) Filed: **May 8, 2014**

3,735,958	A *	5/1973	Hollingsworth	254/2 R
D269,473	S *	6/1983	Jonsson	D34/31
5,156,375	A *	10/1992	Liegel et al.	254/134
D388,925	S *	1/1998	Hulegaard et al.	D34/31
5,975,496	A *	11/1999	Hong et al.	254/2 R
D461,615	S *	8/2002	Bainter	D34/31
6,581,908	B1 *	6/2003	Francis	254/2 B
D527,509	S *	8/2006	Johns	D34/31
D537,604	S *	2/2007	Redman	D34/31
D569,574	S *	5/2008	Turner	D34/31
D592,822	S *	5/2009	Boucher et al.	D34/31
D634,914	S *	3/2011	Marroquin	D34/31
D636,553	S *	4/2011	Finkbeiner	D34/28
D656,289	S *	3/2012	Crump	D34/31
8,231,108	B2 *	7/2012	Realegeno-Amaya	254/134
D679,883	S *	4/2013	Bucknor	D34/31
D680,914	S *	4/2013	Greenblatt et al.	D12/115
2007/0164263	A1 *	7/2007	Goza	254/2 R

* cited by examiner

- (30) **Foreign Application Priority Data**
Nov. 8, 1920 (EM) 002341511-0006
- (51) **LOC (10) Cl.** **12-05**
- (52) **U.S. Cl.**
USPC **D34/31**
- (58) **Field of Classification Search**
USPC D34/31, 28; 254/8 B, 93 H, 2 R, 120,
254/426, 126, DIG. 1, 133, 134
CPC B66F 7/00; B66F 7/02; B66F 9/06;
B66F 9/00; B66F 5/04; B66F 5/00; B66F
1/08; B66F 13/00; B66F 3/24; B66F 3/0625;
B66C 23/48
See application file for complete search history.

Primary Examiner — Cynthia Ramirez
(74) *Attorney, Agent, or Firm* — Ostrolenk Faber LLP

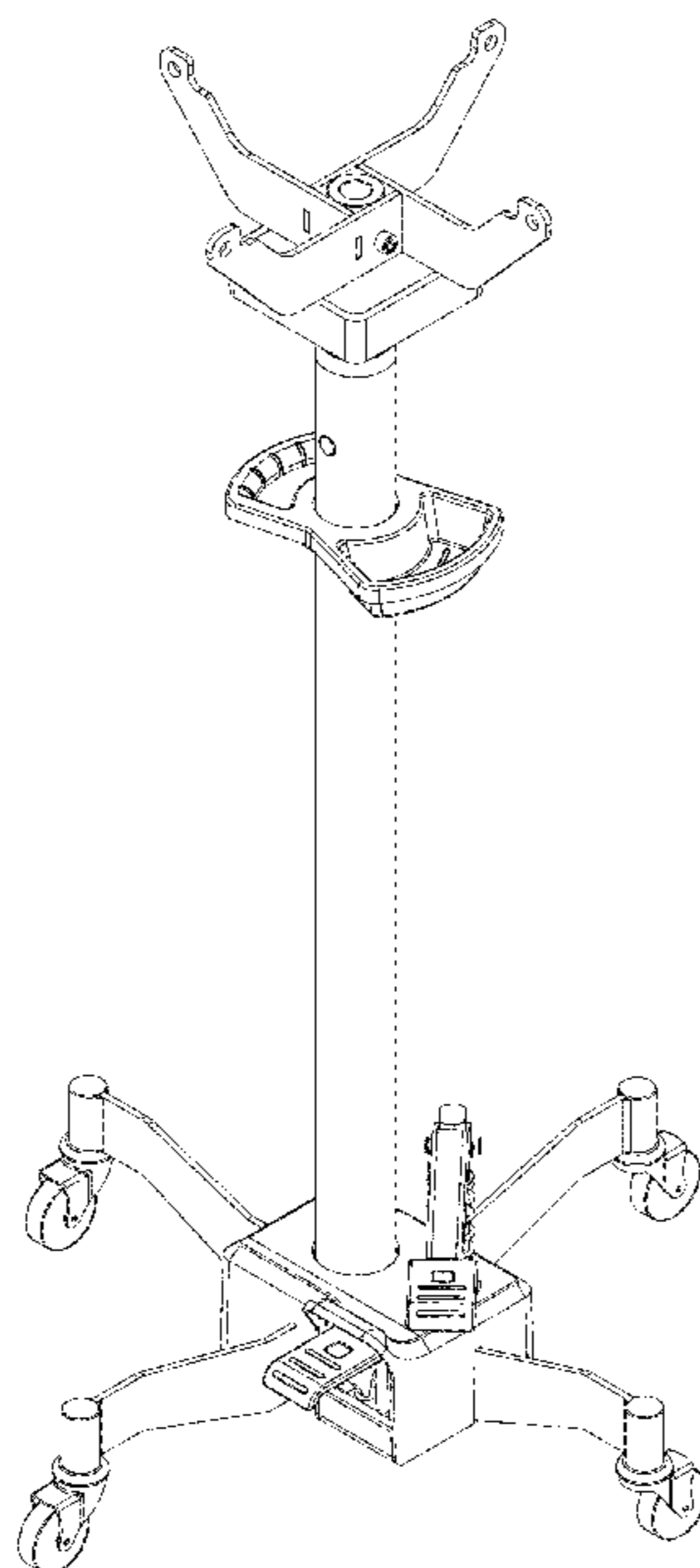
- (56) **References Cited**
U.S. PATENT DOCUMENTS
3,682,342 A * 8/1972 Evans 414/621
3,702,139 A * 11/1972 Chaffin 414/349

(57) **CLAIM**
The ornamental design for the lifting jack, as shown and described.

DESCRIPTION

FIG. 1 is a perspective right side view of a lifting jack showing my new design;
FIG. 2 is a perspective left side view thereof;
FIG. 3 is a right side view thereof;
FIG. 4 is a front side view thereof;
FIG. 5 is a left side view thereof;
FIG. 6 is a back side view thereof; and,
FIG. 7 is a top view thereof.

1 Claim, 7 Drawing Sheets



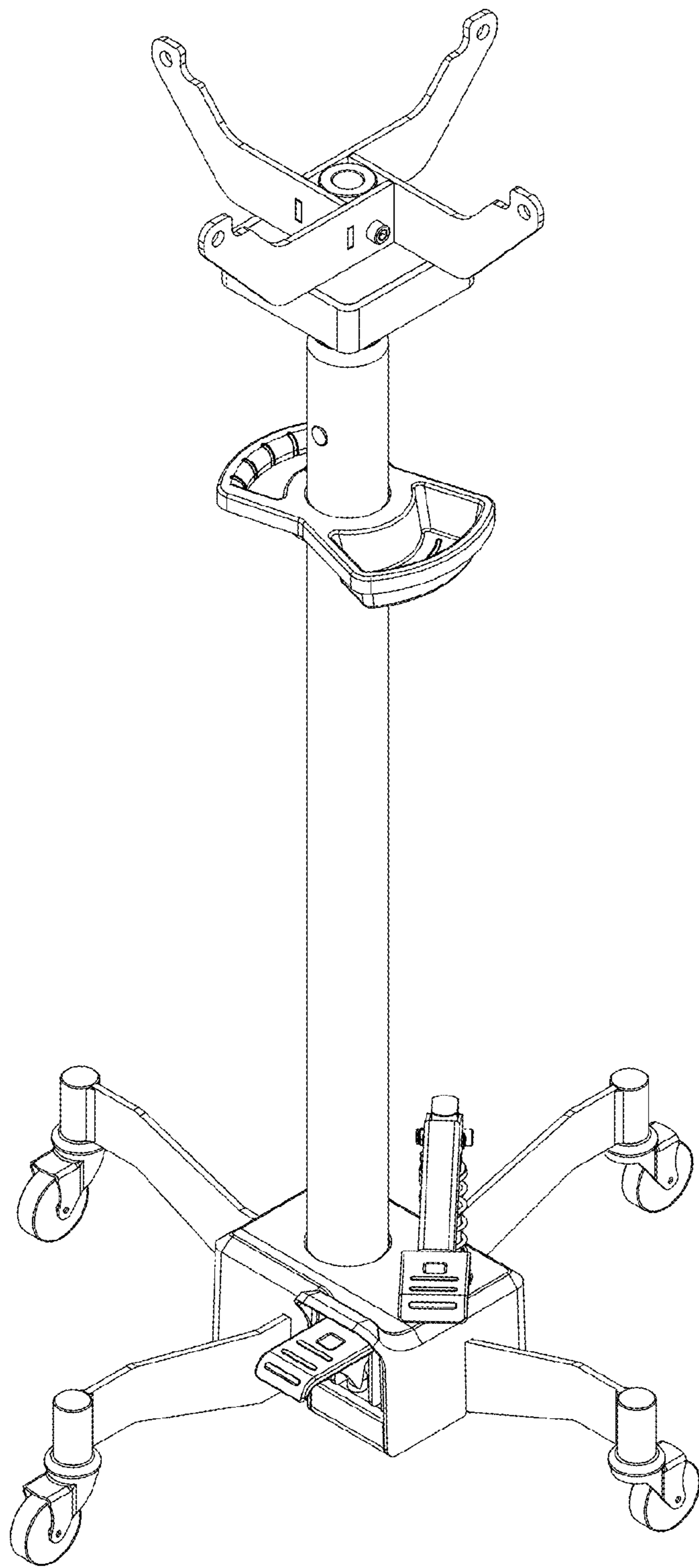


FIG. 1

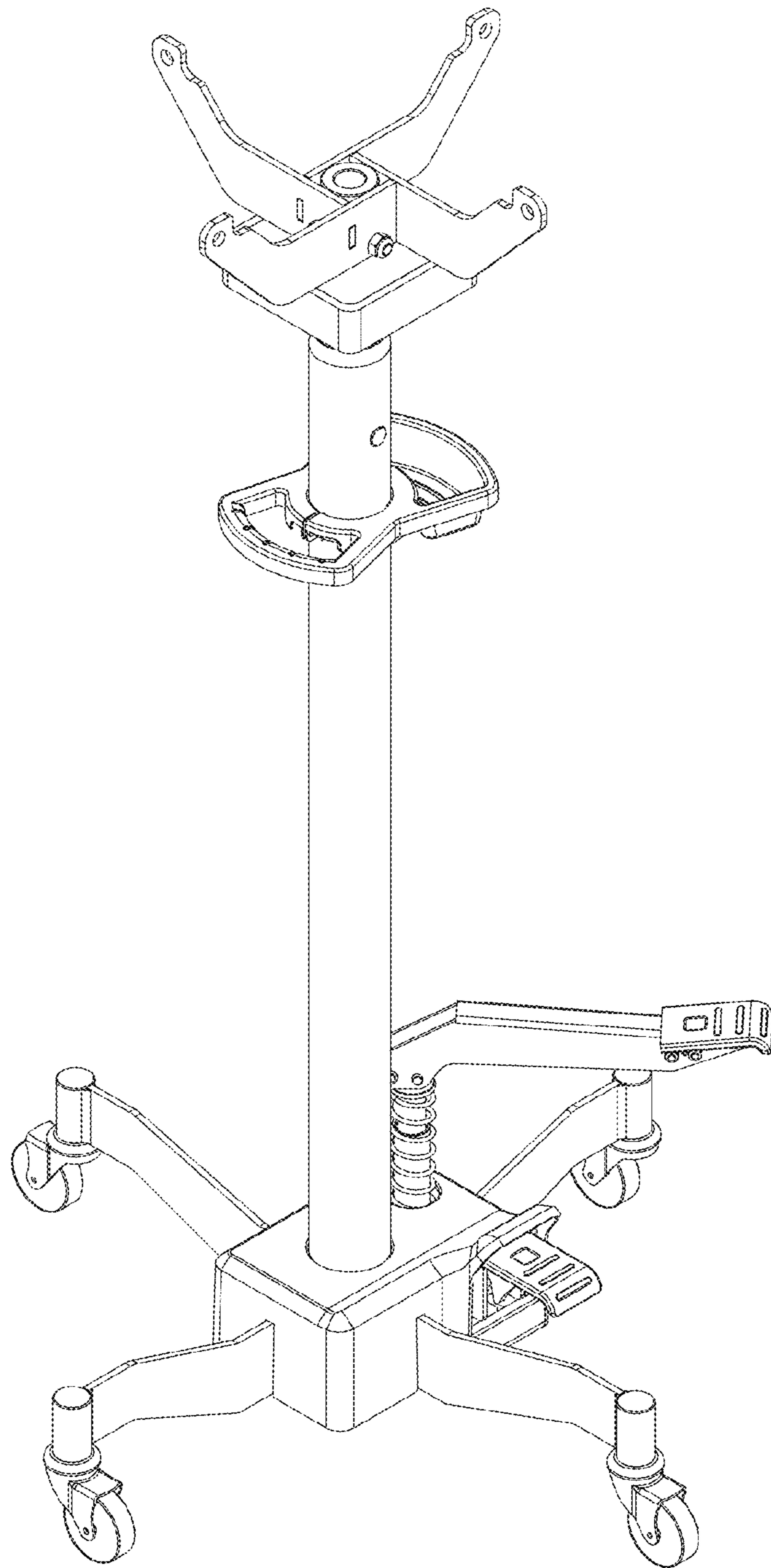


FIG. 2

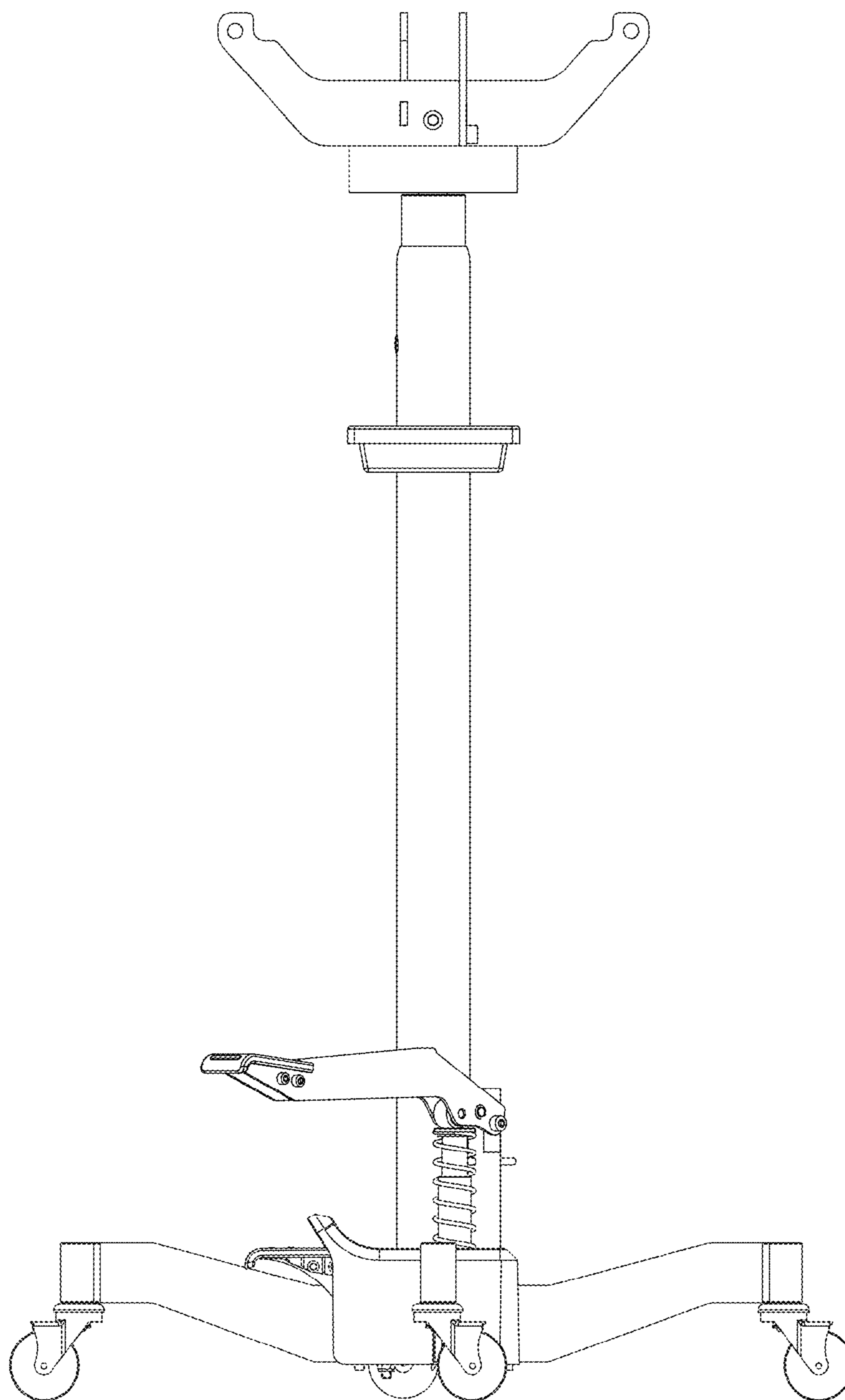


FIG. 3

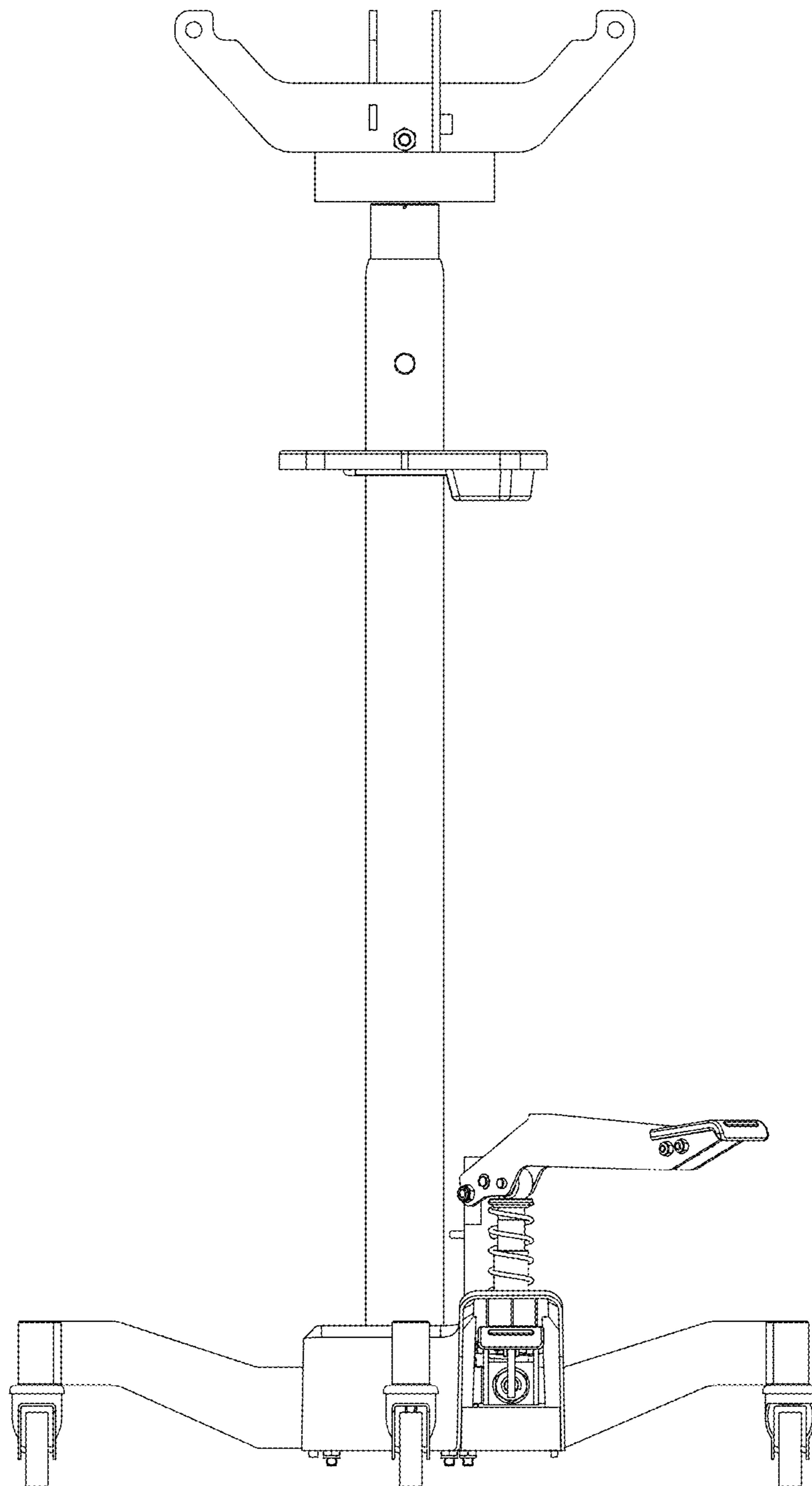


FIG. 4

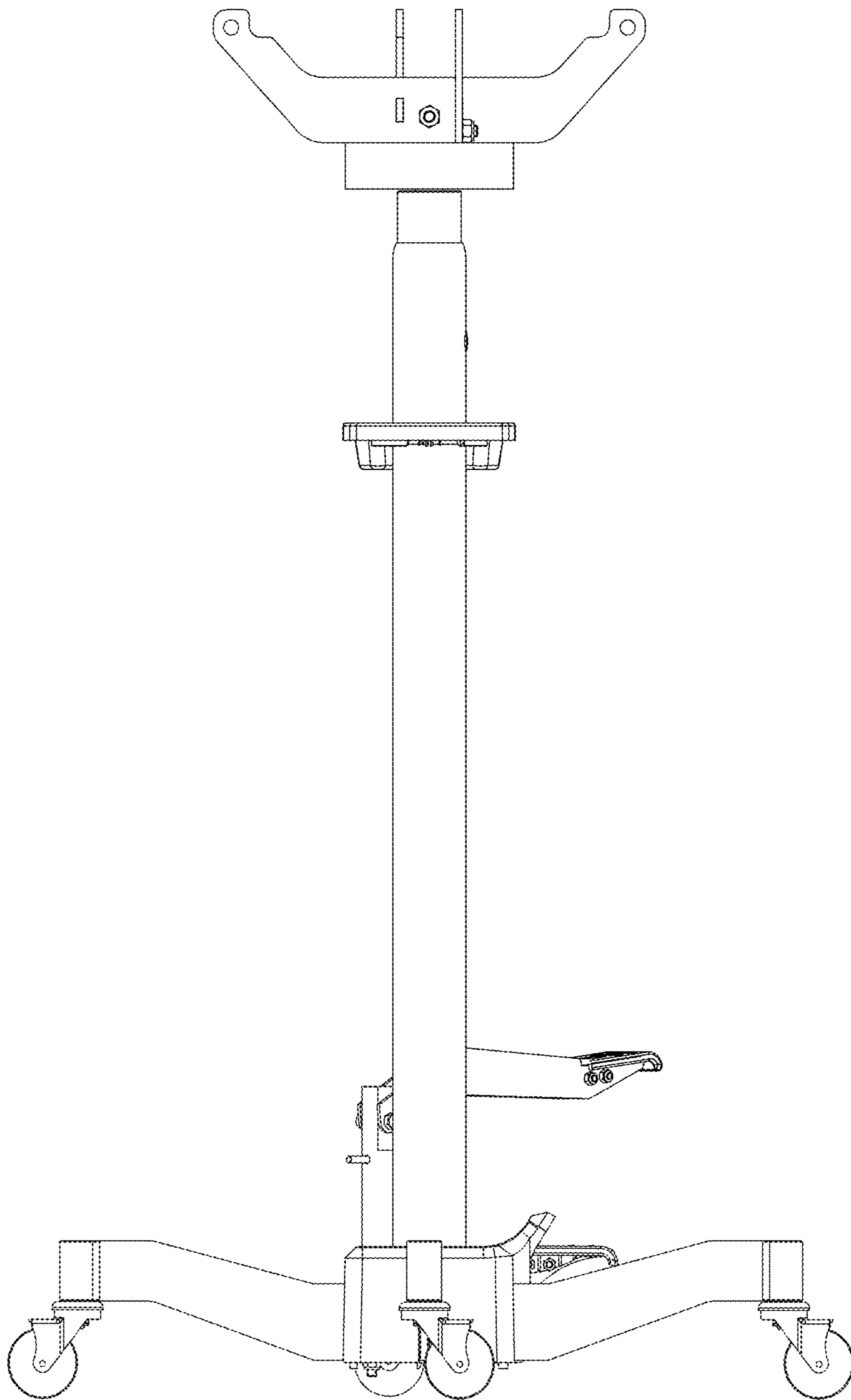


FIG. 5

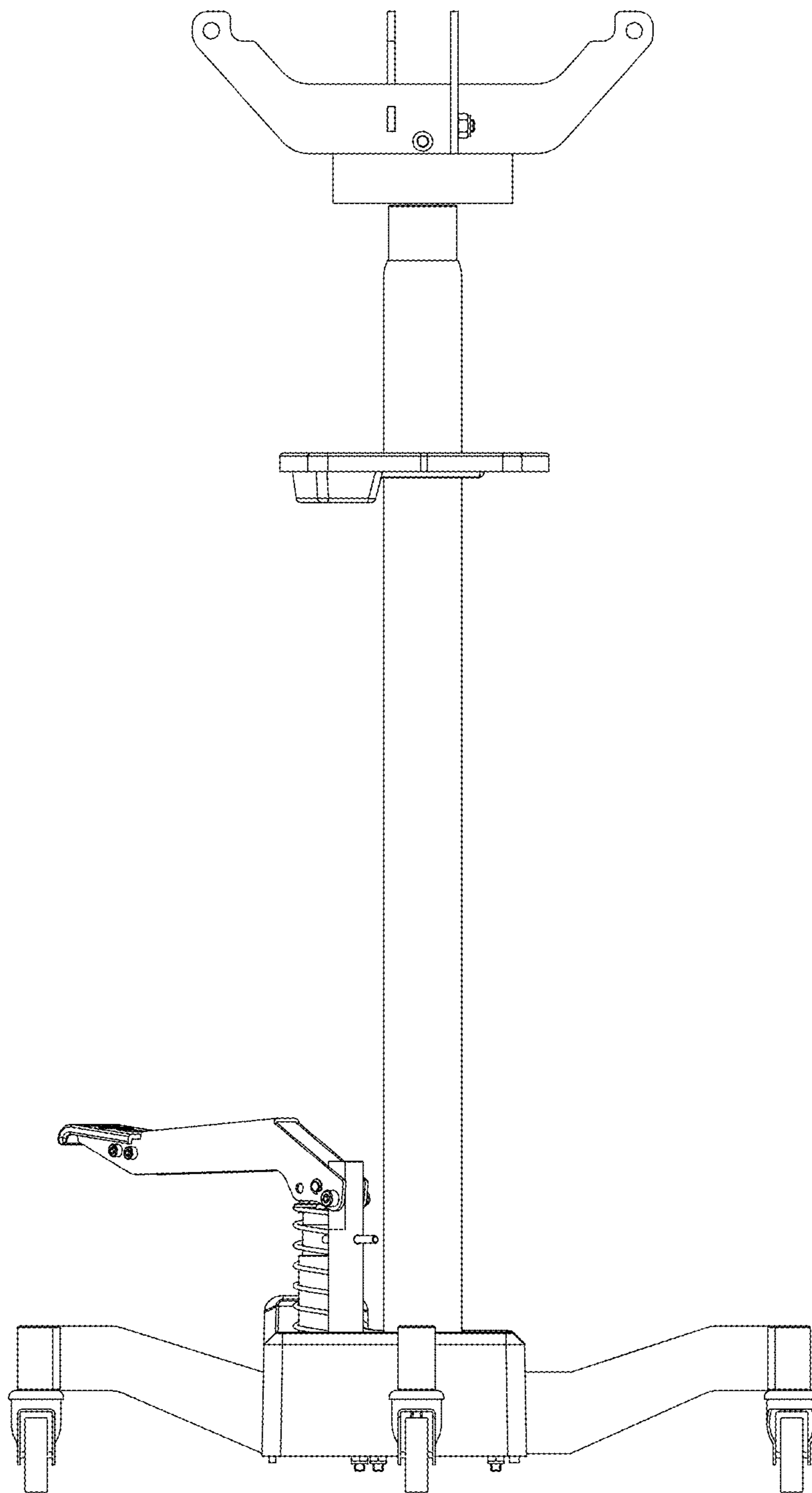


FIG. 6

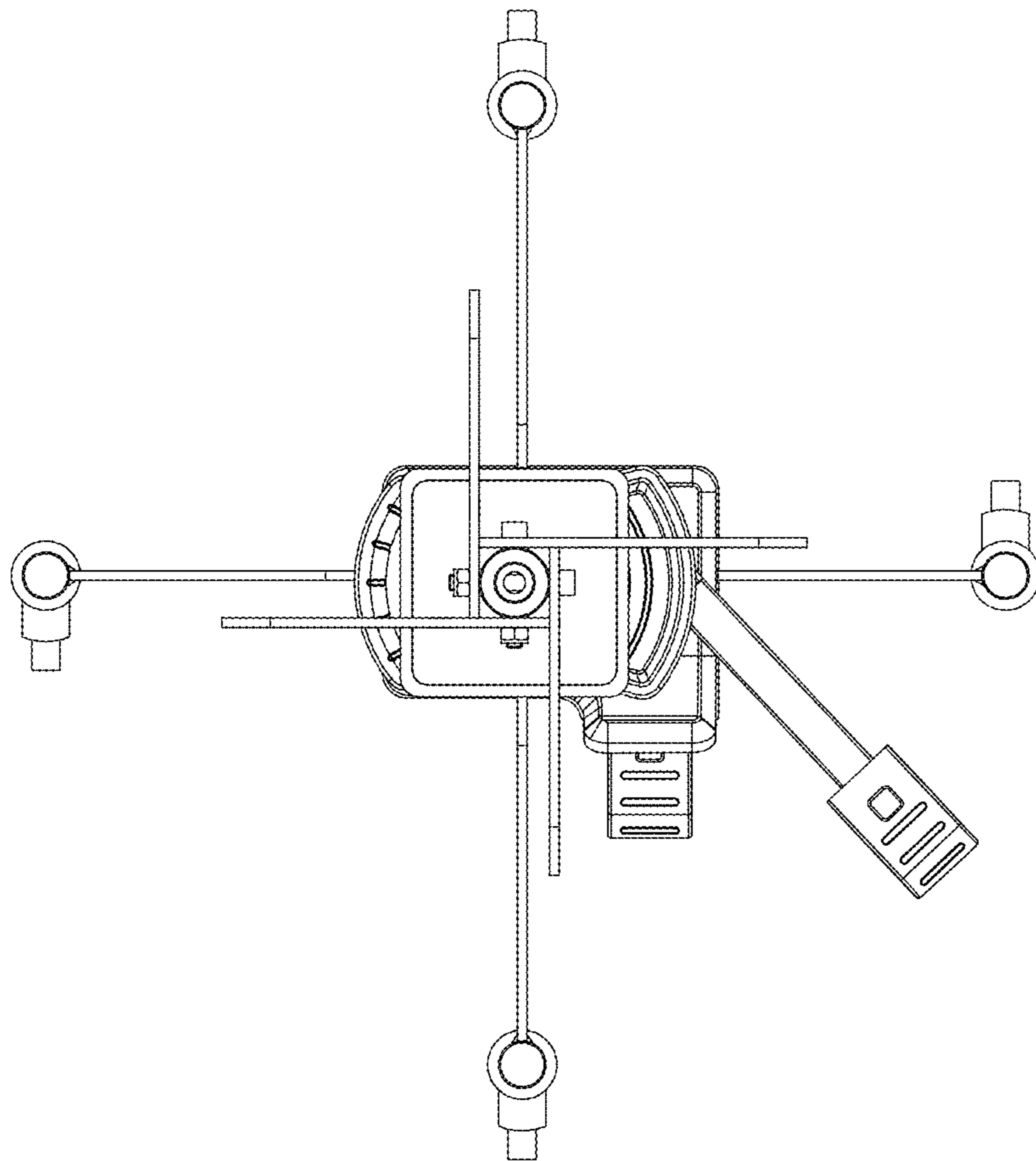


FIG. 7

UNITED STATES PATENT AND TRADEMARK OFFICE
CERTIFICATE OF CORRECTION

PATENT NO. : D731,735 S
APPLICATION NO. : 29/490291
DATED : June 9, 2015
INVENTOR(S) : Antonio Martinez Martinez

Page 1 of 1

It is certified that error appears in the above-identified patent and that said Letters Patent is hereby corrected as shown below:

On the title page,

Item (30) Foreign Application Priority Data should read:

--November 8, 2013 (EM) 002341511-0006--

Signed and Sealed this
Twentieth Day of October, 2015



Michelle K. Lee
Director of the United States Patent and Trademark Office