



US00D731734S

(12) **United States Design Patent**  
**Gargallo et al.**

(10) **Patent No.:** **US D731,734 S**

(45) **Date of Patent:** **\*\* Jun. 9, 2015**

(54) **TRANSPORTER OF LARGE CERAMIC TILES**

(56)

**References Cited**

(71) Applicant: **GERMANS BOADA, S.A.**, Barcelona  
(ES)

(72) Inventors: **Alex Roselló Gargallo**, Barcelona (ES);  
**Carles Gamisans Berenguer**, Barcelona  
(ES)

(73) Assignee: **GERMANS BOADA, S.A.**, Barcelona  
(ES)

(\*\*) Term: **14 Years**

(21) Appl. No.: **29/485,523**

(22) Filed: **Mar. 19, 2014**

(51) **LOC (10) Cl.** ..... **12-05**

(52) **U.S. Cl.**  
USPC ..... **D34/28**

(58) **Field of Classification Search**  
USPC ..... D34/28, 35; 294/186, 188; 187/222,  
187/233, 237  
CPC ..... B66F 9/06; B66F 9/02; B66F 9/08;  
B66F 9/12; B66F 3/22; B66F 17/003  
See application file for complete search history.

U.S. PATENT DOCUMENTS

D199,333	S	*	10/1964	Finley	.....	D8/14
D246,499	S	*	11/1977	Poulsen et al.	.....	D34/28
D389,975	S	*	1/1998	Andrews et al.	.....	D34/28
6,076,873	A	*	6/2000	Jung	.....	294/65.5
D446,623	S	*	8/2001	Smith	.....	D34/35
D479,029	S	*	8/2003	Sobolewski	.....	D34/35
D536,152	S	*	1/2007	Yamaki	.....	D34/28
D642,353	S	*	7/2011	Li	.....	D34/28
2014/0196960	A1	*	7/2014	Rothkegel	.....	177/132

\* cited by examiner

*Primary Examiner* — Cynthia Ramirez

(74) *Attorney, Agent, or Firm* — Baker and Rannells, PA

(57)

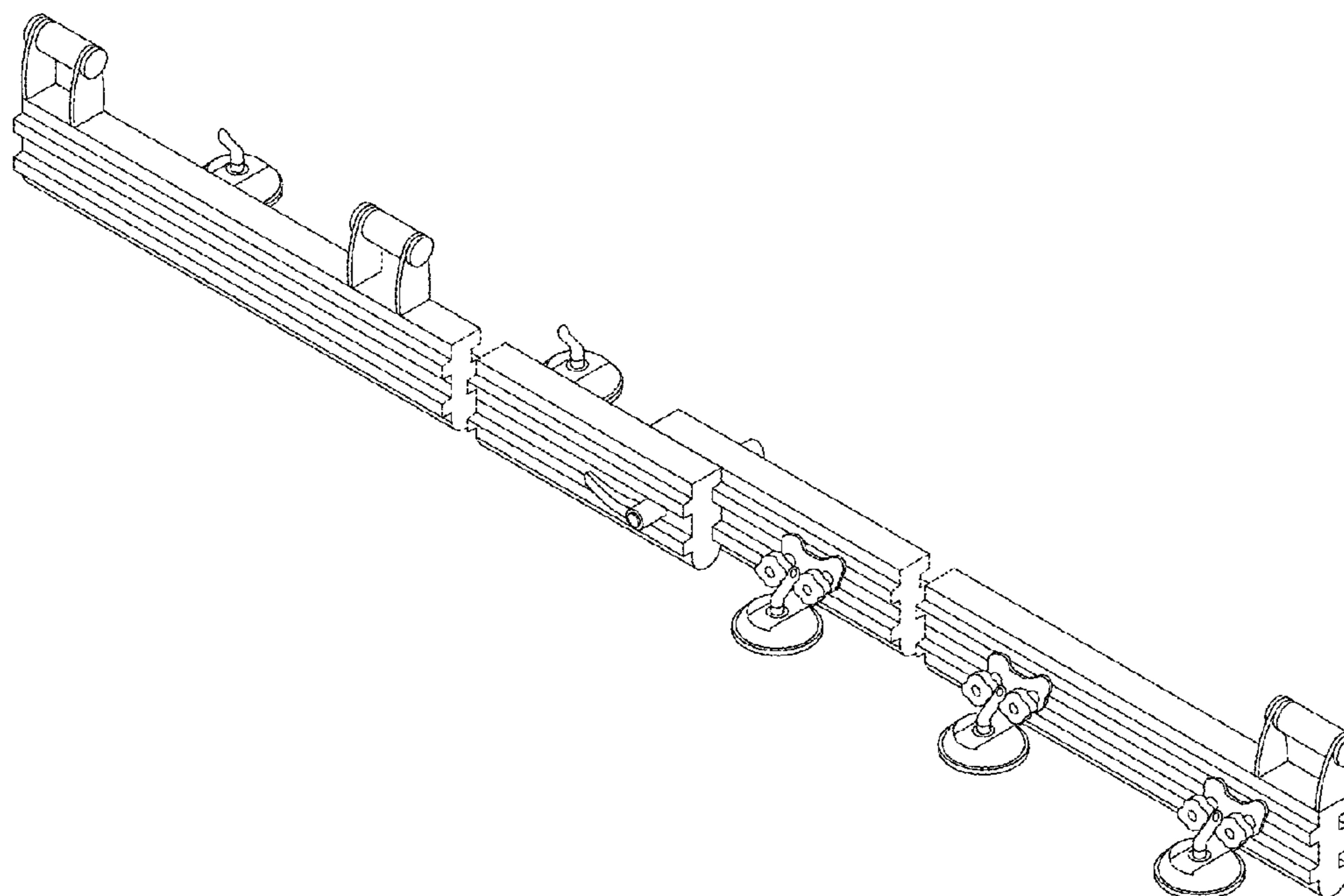
**CLAIM**

The ornamental design for a transporter of large ceramic tiles, as shown and described.

**DESCRIPTION**

FIG. 1 is a front perspective view of a transporter of large ceramic tiles showing our new design; FIG. 2 is a front view thereof; FIG. 3 is a rear view thereof; FIG. 4 is a right side view thereof; FIG. 5 is a left side view thereof; FIG. 6 is a top view thereof; and, FIG. 7 is a bottom view thereof. The transporter of large ceramic tiles is shown broken away in FIG. 1 for convenience of illustration.

**1 Claim, 4 Drawing Sheets**



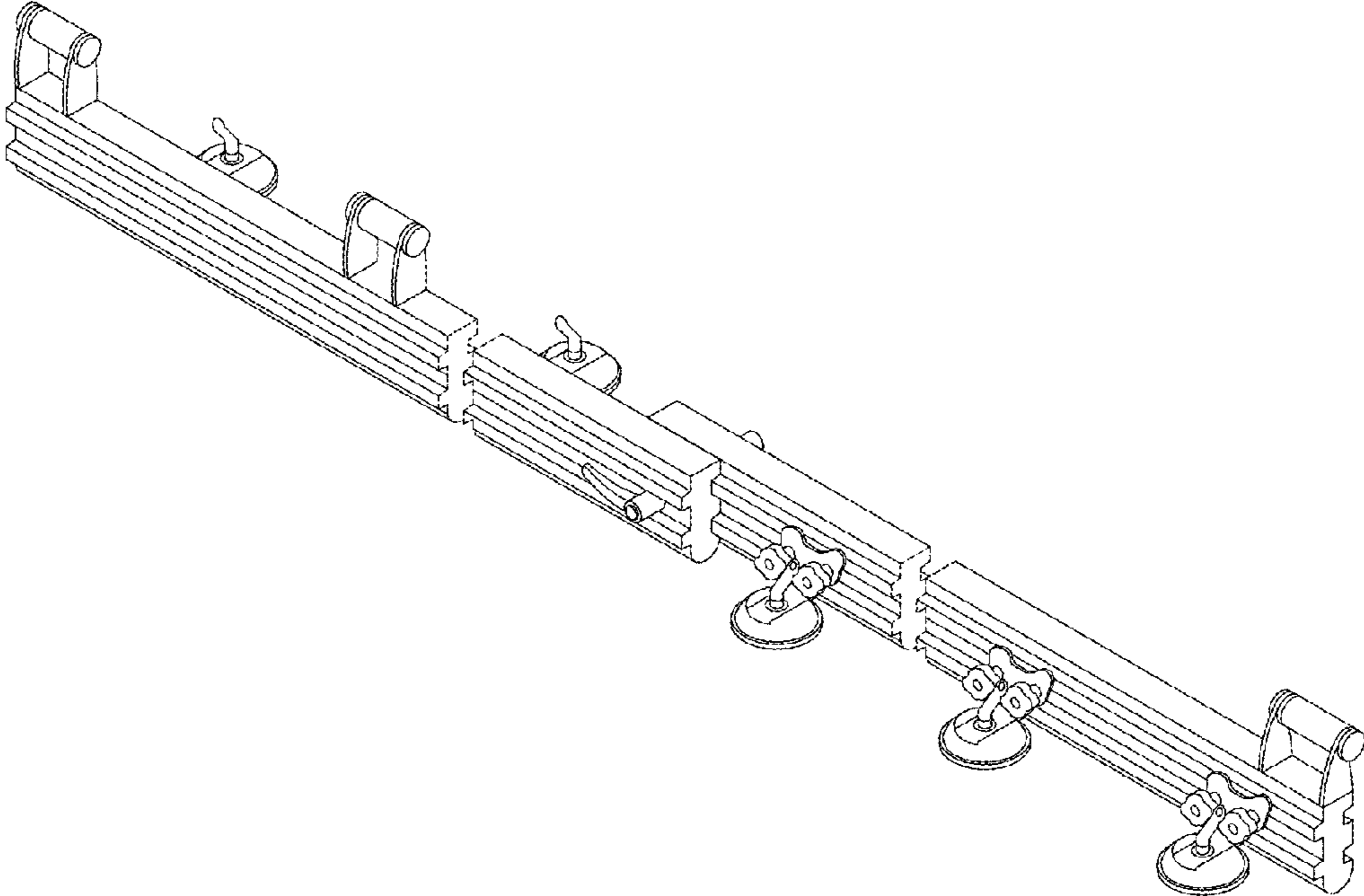


Fig. 1

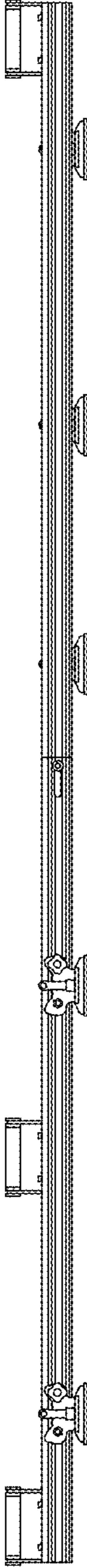


Fig. 2

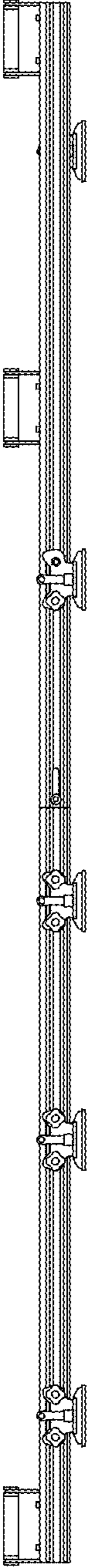


Fig. 3

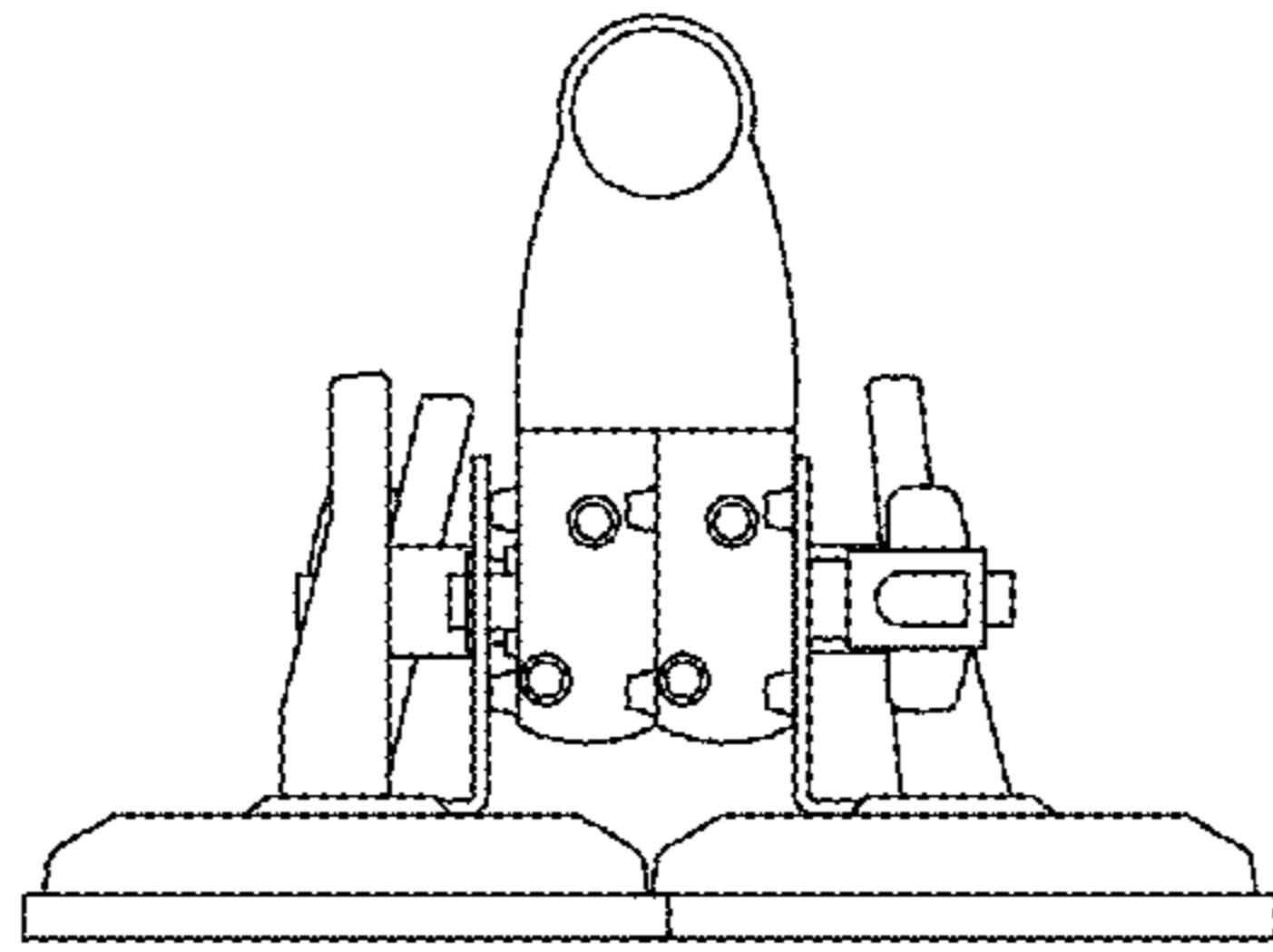


Fig. 4

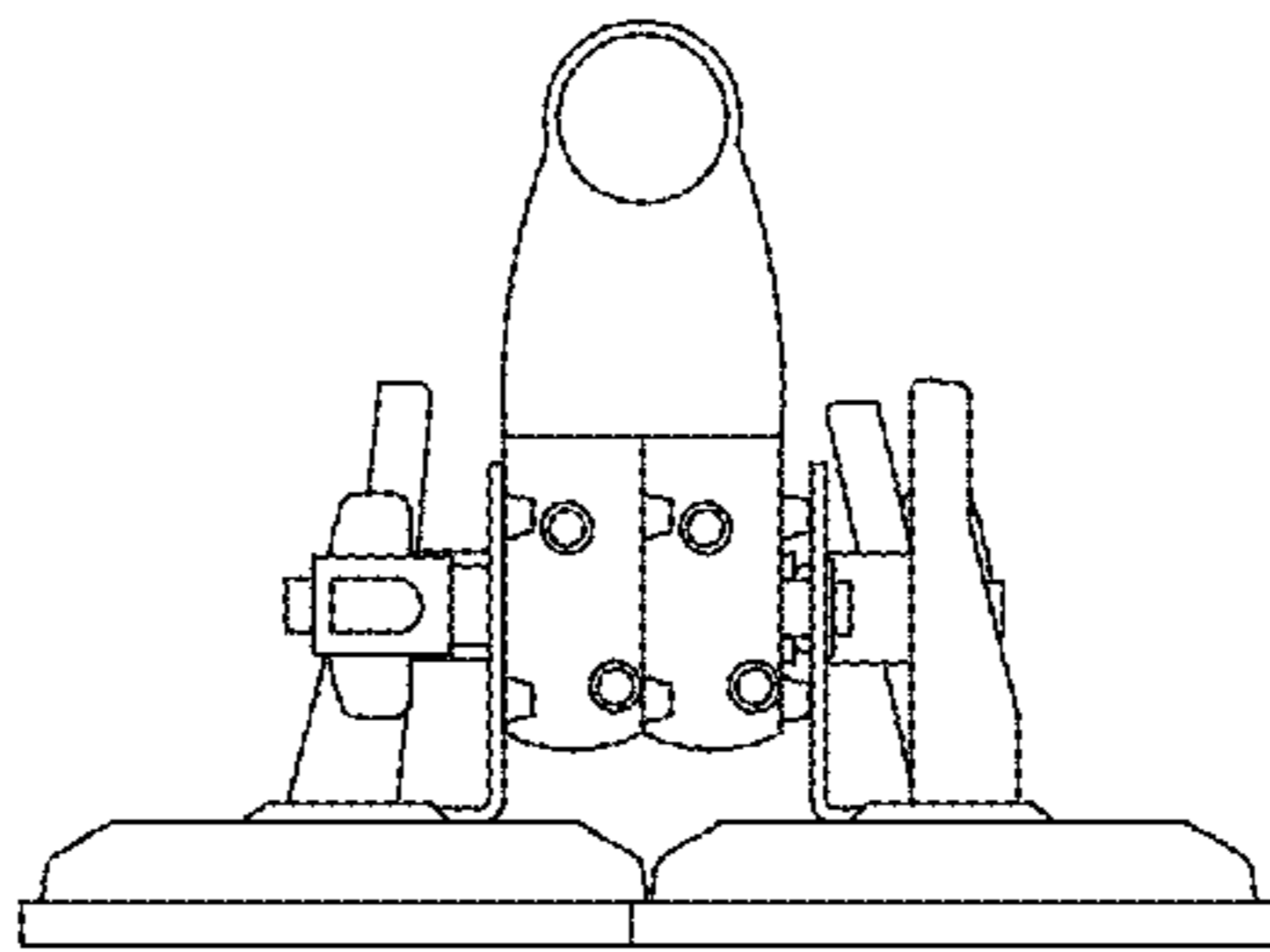


Fig. 5

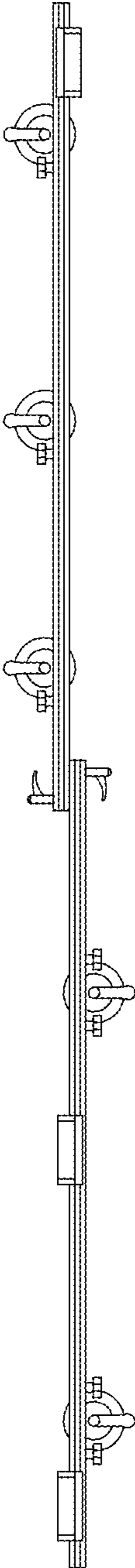


Fig. 6

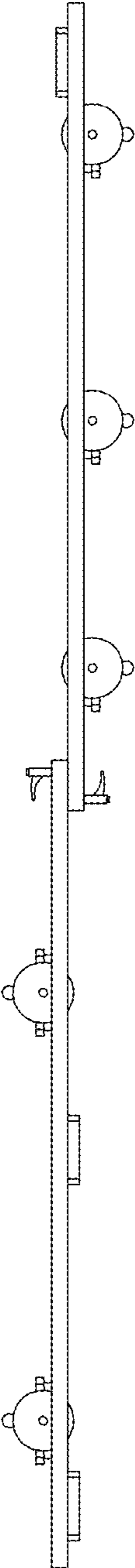


Fig. 7