



US00D731733S

(12) **United States Design Patent**
Robb, Jr.

(10) **Patent No.:** **US D731,733 S**
(45) **Date of Patent:** **** Jun. 9, 2015**

(54) **PORTABLE RACK**

(71) Applicant: **Selden T. Robb, Jr.**, Excelsior, MN (US)

(72) Inventor: **Selden T. Robb, Jr.**, Excelsior, MN (US)

(**) Term: **14 Years**

(21) Appl. No.: **29/463,611**

(22) Filed: **Jan. 22, 2014**

(51) **LOC (10) Cl.** **12-05**

(52) **U.S. Cl.**
USPC **D34/28**

(58) **Field of Classification Search**
USPC D34/1, 4-27, 38, 28; 248/99, 95, 97,
248/439, 128, 132, 136, 146, 147, 98, 164,
248/100, 131, 544, 558, 210, 175, 150, 153,
248/159; 141/391, 315, 316, 390; 15/257.3,
15/257.1, 257.4, 257.6; 220/495.08,
220/495.09, 486; 297/184.15; 211/50, 119,
211/195, 85.7; 100/34; 53/390; D6/566,
D6/678.4; 108/11, 133, 51.11, 57.14,
108/57.13, 57.31, 57.32; 473/478, 446,
473/407, 221, 454, 274, 277, 265; 273/407,
273/400, 395, 343; 5/544, 159, 146, 662;
482/123, 131; 414/800; 34/104;
206/315.1

CPC A63B 2071/026; A63B 2208/12;
A63B 2210/50; A63B 63/004; A63B 71/0672

See application file for complete search history.

(56) **References Cited**

U.S. PATENT DOCUMENTS

4,572,531 A * 2/1986 Elia 280/62
D292,136 S * 9/1987 Burenga D34/35
4,759,519 A * 7/1988 Cheng 248/99
D376,577 S * 12/1996 Avery D12/408
5,586,352 A * 12/1996 O'Brien et al. 5/662
D377,700 S * 1/1997 Butler D34/28
5,669,863 A * 9/1997 Ho 482/129

D388,923 S * 1/1998 Pacheco et al. D34/17
D398,469 S * 9/1998 Leong et al. D6/552
5,862,924 A * 1/1999 Dumont 211/85.7
D420,482 S * 2/2000 Hultqvist et al. D34/28
6,068,225 A * 5/2000 O'Brien et al. 248/200.1
D451,311 S * 12/2001 Dion D6/499
6,478,352 B1 * 11/2002 Fredrickson 294/15
D467,402 S * 12/2002 DiStaulo D34/28
D475,829 S * 6/2003 DiStaulo D34/28
6,575,844 B1 * 6/2003 Gray 473/277
6,616,580 B1 * 9/2003 Chen 482/123
6,663,513 B2 * 12/2003 Howard 473/454
D488,905 S * 4/2004 DiStaulo D34/28
6,761,357 B2 * 7/2004 Witt et al. 273/407
6,880,828 B2 * 4/2005 Liao 273/395
D535,512 S * 1/2007 Eastman D6/552
D554,324 S * 10/2007 Liao D34/27
7,288,052 B1 * 10/2007 Guillaume 482/142
7,373,679 B2 * 5/2008 Miller 5/662
7,374,138 B2 * 5/2008 Marshall 248/159
D584,471 S * 1/2009 Diedericks D34/21
D599,601 S * 9/2009 Mallen D6/552
D615,715 S * 5/2010 Zielinski D32/8

(Continued)

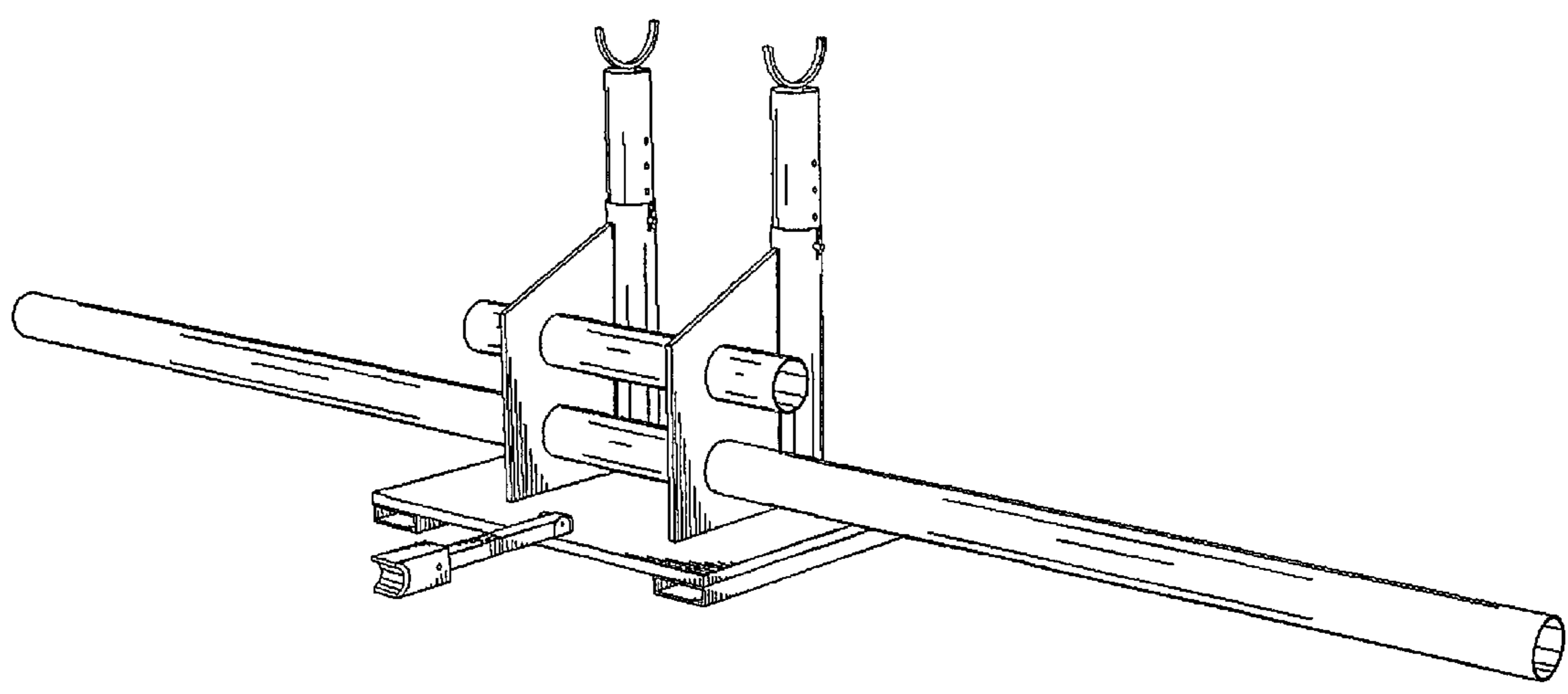
Primary Examiner — Cynthia Ramirez
Assistant Examiner — Gino Colan
(74) *Attorney, Agent, or Firm* — Paul R. Martin

(57) **CLAIM**
The ornamental design for a portable rack, as shown and described.

DESCRIPTION

FIG. 1 is a perspective view of the portable rack of my new design.
FIG. 2 is a front elevational view thereof.
FIG. 3 is a rear elevational view thereof.
FIG. 4 is a side elevational view thereof.
FIG. 5 is an elevational view of the side opposite to that shown in FIG. 4.
FIG. 6 is an top plan view thereof; and,
FIG. 7 is a bottom plan view thereof.

1 Claim, 4 Drawing Sheets



(56)

References Cited

U.S. PATENT DOCUMENTS

8,403,134	B1 *	3/2013	Kantgias et al.	206/315.1	2006/0054576	A1 *	3/2006	Durham	211/85.7
8,425,343	B1 *	4/2013	Olmos	473/274	2006/0179576	A1 *	8/2006	Richards et al.	5/662
8,435,131	B1 *	5/2013	Carter	473/265	2006/0230540	A1 *	10/2006	Whelan	5/662
8,597,165	B1 *	12/2013	Antonucci	482/131	2008/0169253	A1 *	7/2008	Vitale	211/85.7
2003/0015633	A1 *	1/2003	Pyanowski et al.	248/146	2009/0032672	A1 *	2/2009	Cooper et al.	248/544
2004/0082411	A1 *	4/2004	Fluckiger et al.	473/446	2009/0278317	A1 *	11/2009	Lima	273/343
2005/0204579	A1 *	9/2005	Rosseau et al.	34/104	2010/0122961	A1 *	5/2010	Moreau	211/85.7
					2010/0194048	A1 *	8/2010	Medina et al.	273/407
					2012/0046150	A1 *	2/2012	Stacey	482/131
					2014/0205419	A1 *	7/2014	Svaldi et al.	414/800

* cited by examiner

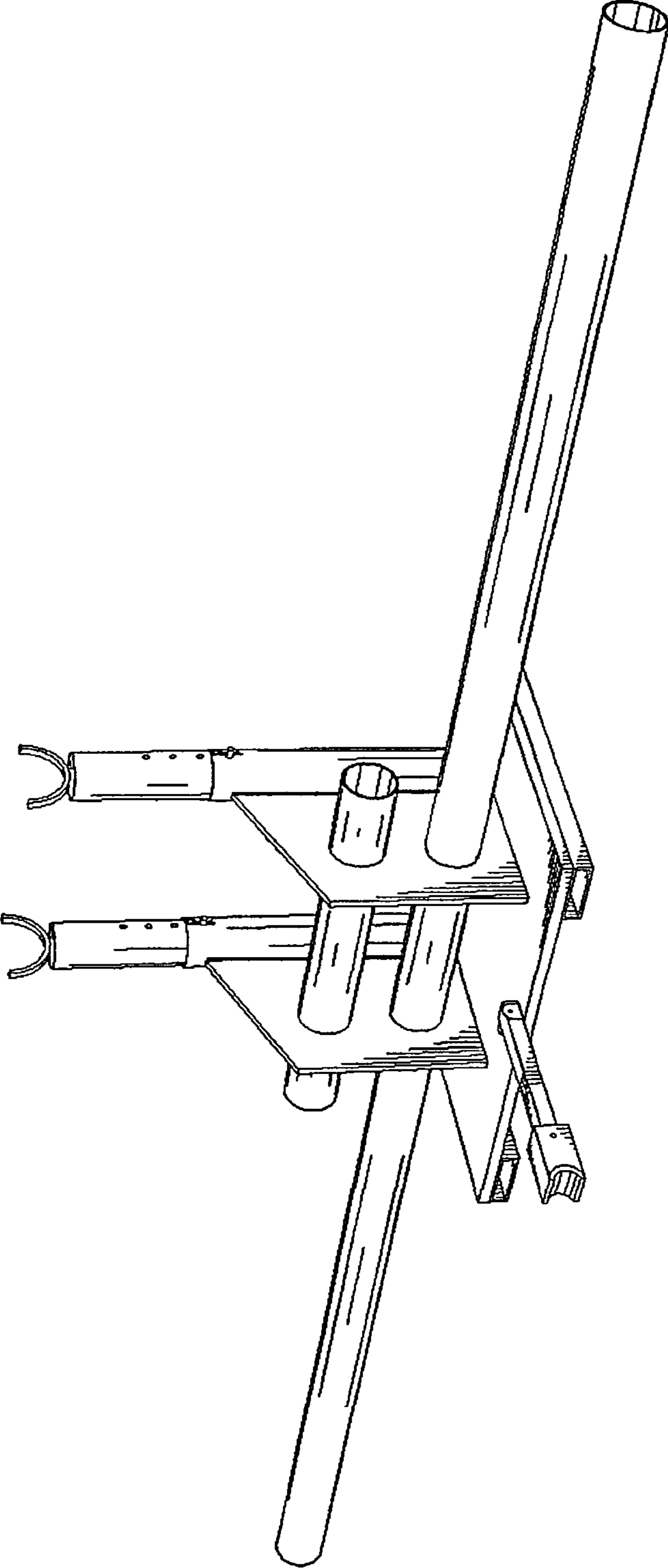


FIG. 1

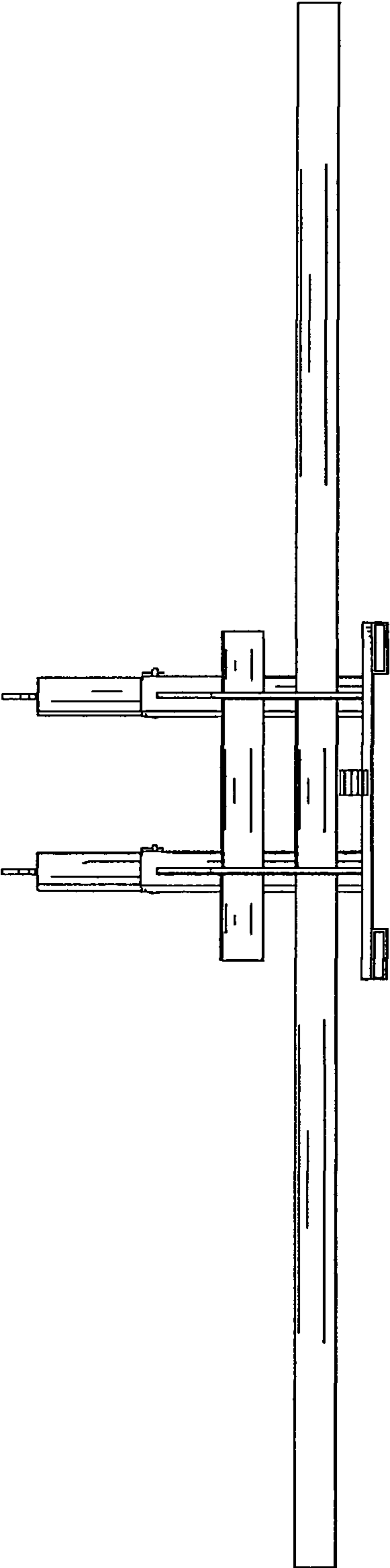


FIG. 2

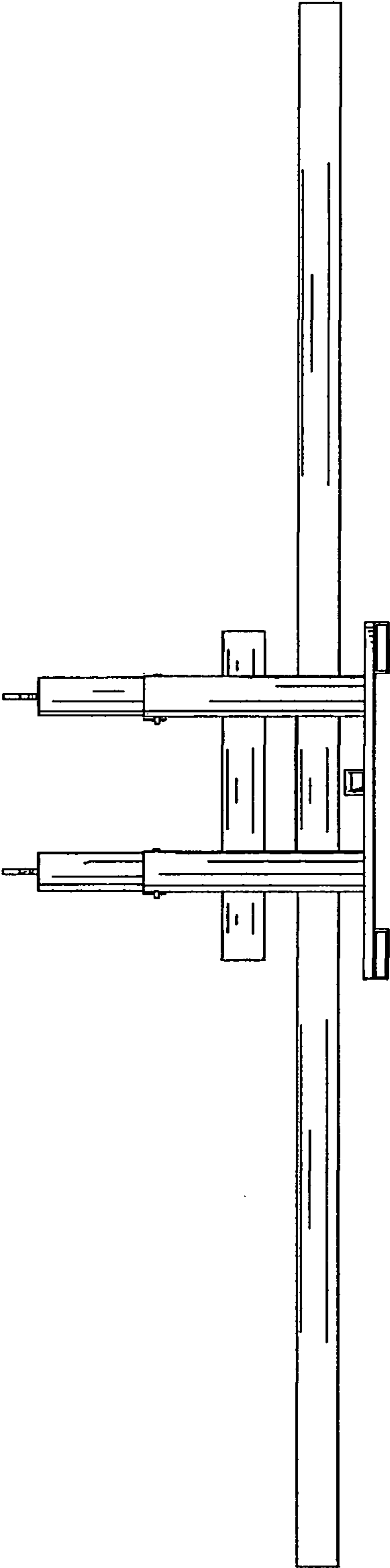


FIG. 3

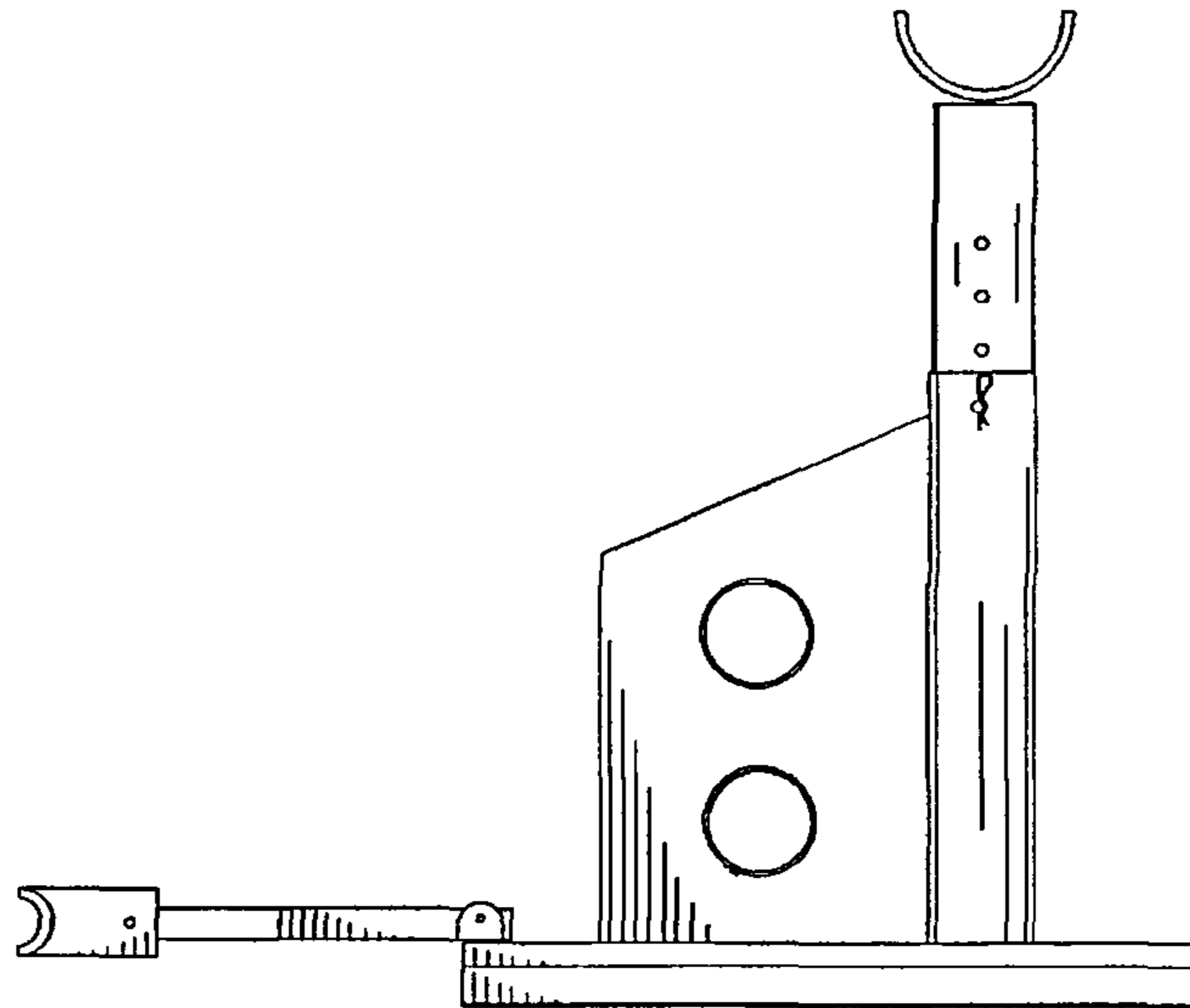


FIG. 4

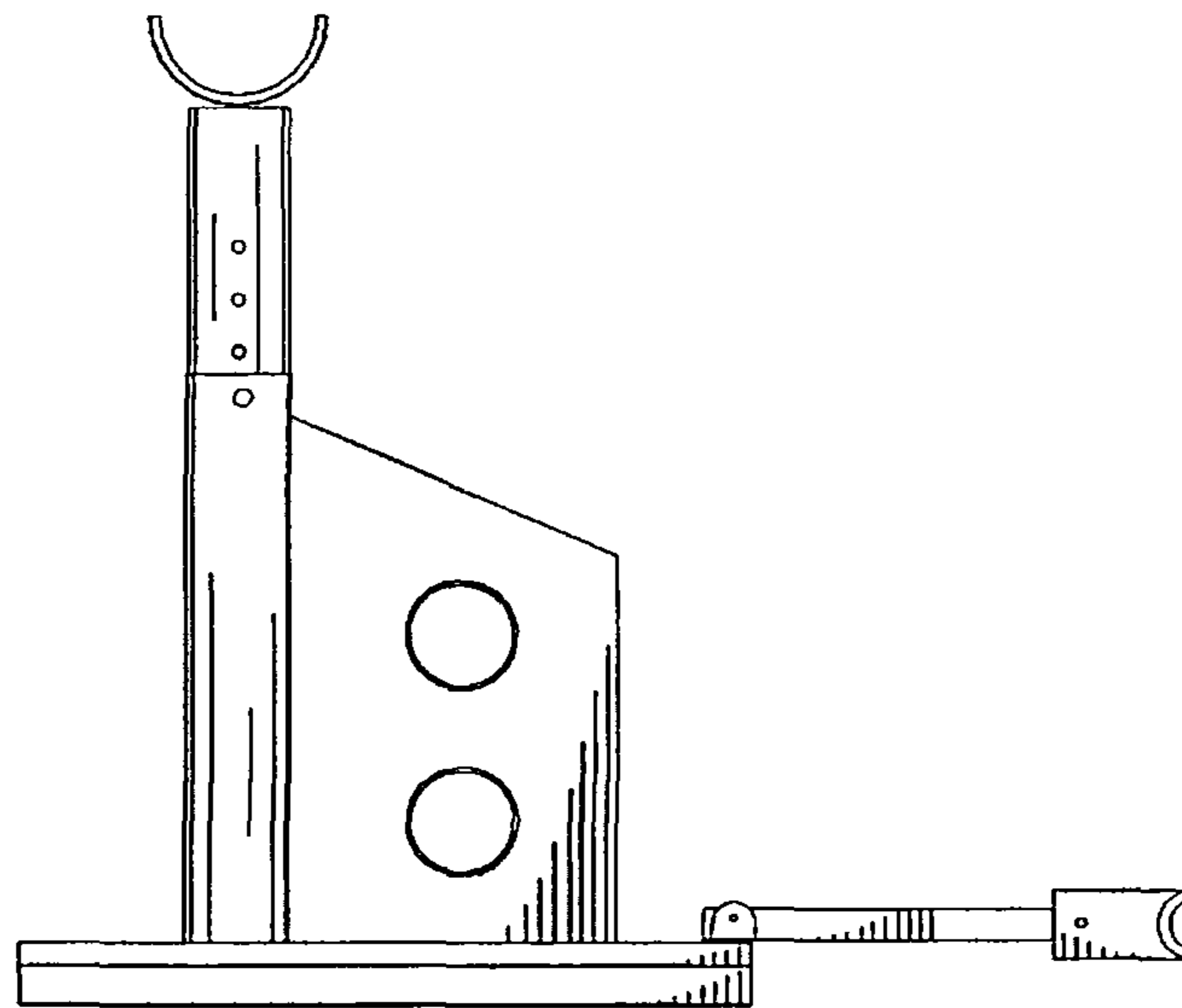


FIG. 5

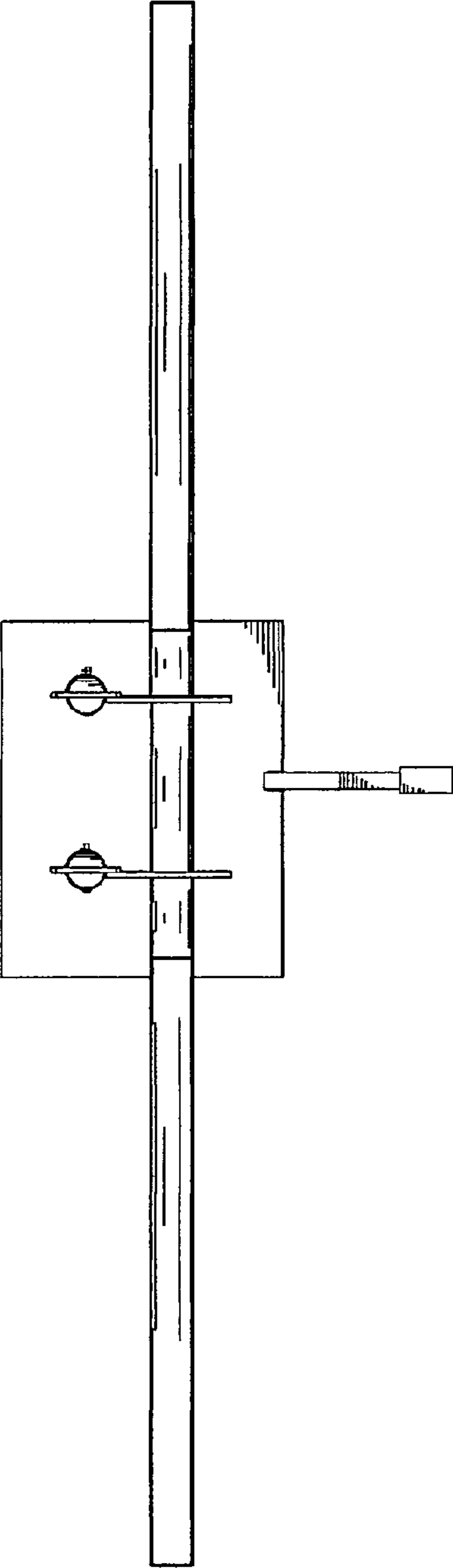


FIG. 6

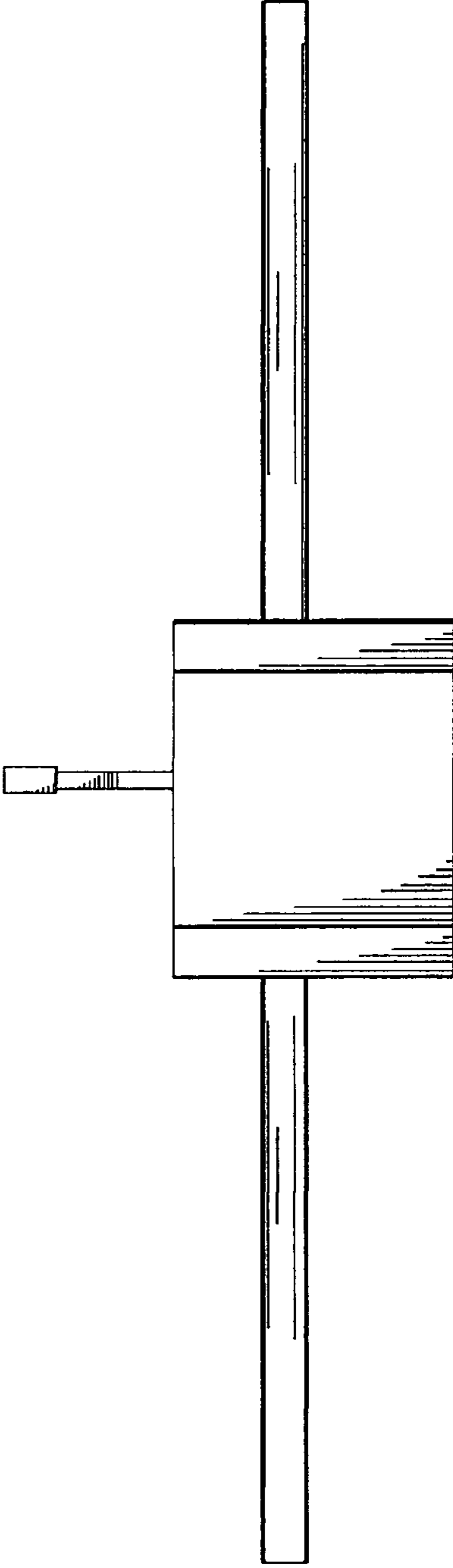


FIG. 7