

US00D731731S

(12) **United States Design Patent**  
**Wattenbarger et al.**

(10) **Patent No.:** **US D731,731 S**  
(45) **Date of Patent:** **\*\* Jun. 9, 2015**

(54) **SPITTOON**

(71) Applicants: **Joseph Clay Wattenbarger**,  
Bakersfield, CA (US); **Thomas Lance**  
**Osborne**, Bakersfield, CA (US)

(72) Inventors: **Joseph Clay Wattenbarger**,  
Bakersfield, CA (US); **Thomas Lance**  
**Osborne**, Bakersfield, CA (US)

(\*\*) Term: **14 Years**

(21) Appl. No.: **29/482,098**

(22) Filed: **Feb. 13, 2014**

(51) **LOC (10) Cl.** ..... **09-09**

(52) **U.S. Cl.**  
USPC ..... **D34/2**

(58) **Field of Classification Search**

USPC ..... D34/2; D7/700, 607, 701, 510, 514,  
D7/509, 515, 536; 4/267, 258, 283, 285,  
4/59, 274, 271, 261; D15/150; 141/331,  
141/98; 215/384; D23/207, 200; D24/112;  
433/91; D9/447; D27/187, 148;  
220/326, 771, 87.1, 495.03, 375,  
220/254.8, 255, 758; 206/524.1; 131/236;  
248/346.11; 16/425; 219/432, 433, 689  
CPC ..... A61J 9/00; A61J 19/02; A61J 19/04;  
A61J 2205/20; A61C 17/14

See application file for complete search history.

(56) **References Cited**

**U.S. PATENT DOCUMENTS**

128,544 A \* 7/1872 Hillin ..... 4/283  
1,461,156 A \* 7/1923 Martin ..... 4/274

(Continued)

**OTHER PUBLICATIONS**

Google Website Search, Jan. 16, 2015, Spittoon, shown in p. 1 of 1.\*

(Continued)

*Primary Examiner* — Cynthia Ramirez

*Assistant Examiner* — Gino Colan

(74) *Attorney, Agent, or Firm* — Mark D. Miller; William K. Nelson

(57) **CLAIM**

We claim the ornamental designs for a spittoon, as shown and described.

**DESCRIPTION**

FIG. 1 is an exploded side view of a spittoon, showing a removable funnel, a receptacle portion having a transparent outer layer, an insert, and a removable bottom piece;

FIG. 2 is a top view of the funnel of FIG. 1;

FIG. 3 is a top view of the receptacle portion of FIG. 1 with the funnel removed;

FIG. 4 is a bottom view of the removable funnel of FIG. 1;

FIG. 5 is a bottom view of the removable bottom piece of FIG. 1;

FIG. 6 is an exploded perspective view of the spittoon of FIG. 1 showing the removable funnel, the receptacle portion having a transparent outer layer for receiving an insert, the insert, and the removable bottom piece;

FIG. 7 is a side view of the assembled spittoon of FIG. 1;

FIG. 8 is a perspective view of the assembled spittoon of FIG. 1;

FIG. 9 is an exploded side view of an alternative embodiment of a spittoon showing the removable funnel, a receptacle portion having a transparent outer layer, and a removable bottom piece;

FIG. 10 is a top view of the funnel of FIG. 9;

FIG. 11 is a top view of the receptacle portion of FIG. 9 with the funnel removed;

FIG. 12 is a bottom view of the removable funnel of FIG. 9;

FIG. 13 is a bottom view of the removable bottom piece of FIG. 9;

FIG. 14 is an exploded perspective view of the spittoon of FIG. 9 showing the removable funnel, the receptacle portion having a transparent outer layer for receiving an insert, and the removable bottom piece;

FIG. 15 is a side view of the assembled spittoon of FIG. 9; and,

FIG. 16 is a perspective view of the assembled spittoon of FIG. 9.

The diagonal lines on the transparent outer layer of the spittoon indicate transparency of the outer layer of the receptacle portion of the spittoon. The broken lines on the surface portion indicate contour and not surface decoration. The broken lines in the embodiment of FIGS. 1-8 that form the stars on the insert are not part of the design of that embodiment. The broken lines in the embodiment of FIGS. 9-16 that form the insert and the stars thereon are not part of the design of that embodiment.

**1 Claim, 10 Drawing Sheets**



(56)

References Cited

U.S. PATENT DOCUMENTS

2,440,783 A \* 5/1948 Peart ..... 131/236  
 D153,202 S 3/1949 Beller  
 3,155,990 A \* 11/1964 Templeton ..... 4/258  
 RE26,246 E \* 8/1967 Templeton ..... 4/258  
 3,798,682 A \* 3/1974 Harreld ..... 4/271  
 D234,123 S \* 1/1975 Ragagli ..... D9/447  
 4,503,572 A \* 3/1985 Dawson ..... 4/258  
 D282,807 S \* 3/1986 Hasse ..... D7/700  
 D287,402 S \* 12/1986 Orsing ..... D24/112  
 4,885,809 A \* 12/1989 Muchmore ..... 4/259  
 4,932,081 A \* 6/1990 Burns ..... 4/258  
 D309,241 S \* 7/1990 Ayyoubi et al. .... D23/200  
 5,140,711 A \* 8/1992 Johnson ..... 4/258  
 D340,468 S \* 10/1993 Pollak et al. .... D15/150  
 D341,147 S \* 11/1993 Pollak ..... D15/150  
 5,325,546 A \* 7/1994 Setliff ..... 4/267

D354,420 S 1/1995 Sharp  
 D376,608 S \* 12/1996 Africano ..... D15/150  
 D397,002 S \* 8/1998 Smith ..... D7/700  
 D420,776 S \* 2/2000 Lynch et al. .... D34/2  
 6,305,033 B1 \* 10/2001 Azzam ..... 4/274  
 D547,122 S 7/2007 Gluck  
 D560,105 S \* 1/2008 McKenzie ..... D7/700  
 D584,378 S \* 1/2009 Wilson ..... D23/207  
 7,739,755 B2 \* 6/2010 Taras ..... 4/271  
 D646,531 S \* 10/2011 Murphy ..... D7/700  
 D649,844 S \* 12/2011 Bittner ..... D7/700  
 D719,414 S \* 12/2014 Hester ..... D7/700  
 2011/0083259 A1 \* 4/2011 Wright ..... 4/261

OTHER PUBLICATIONS

Disassembled coffee mug.  
 Coffee mug.

\* cited by examiner

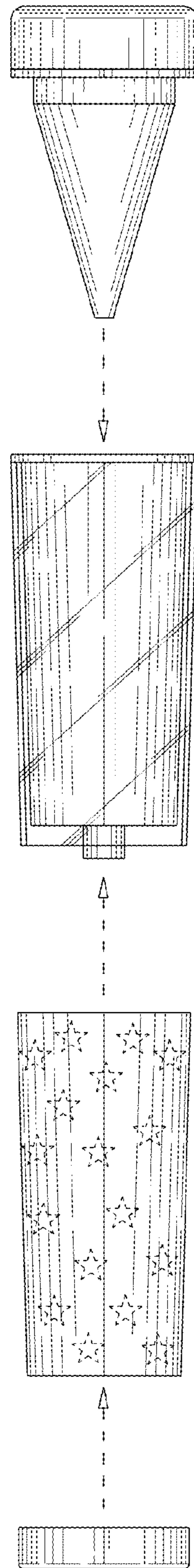


FIG. 1

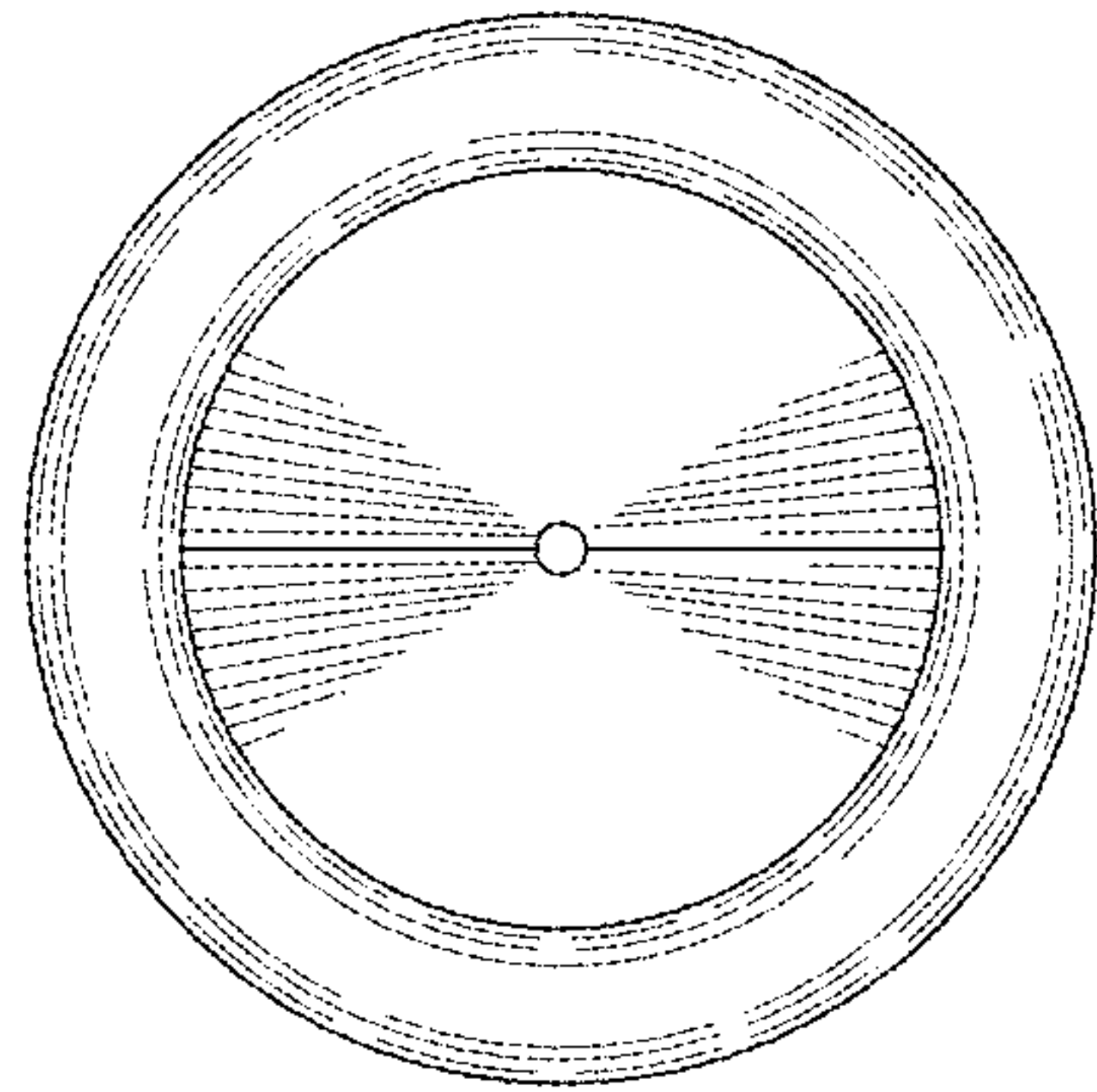


FIG. 2

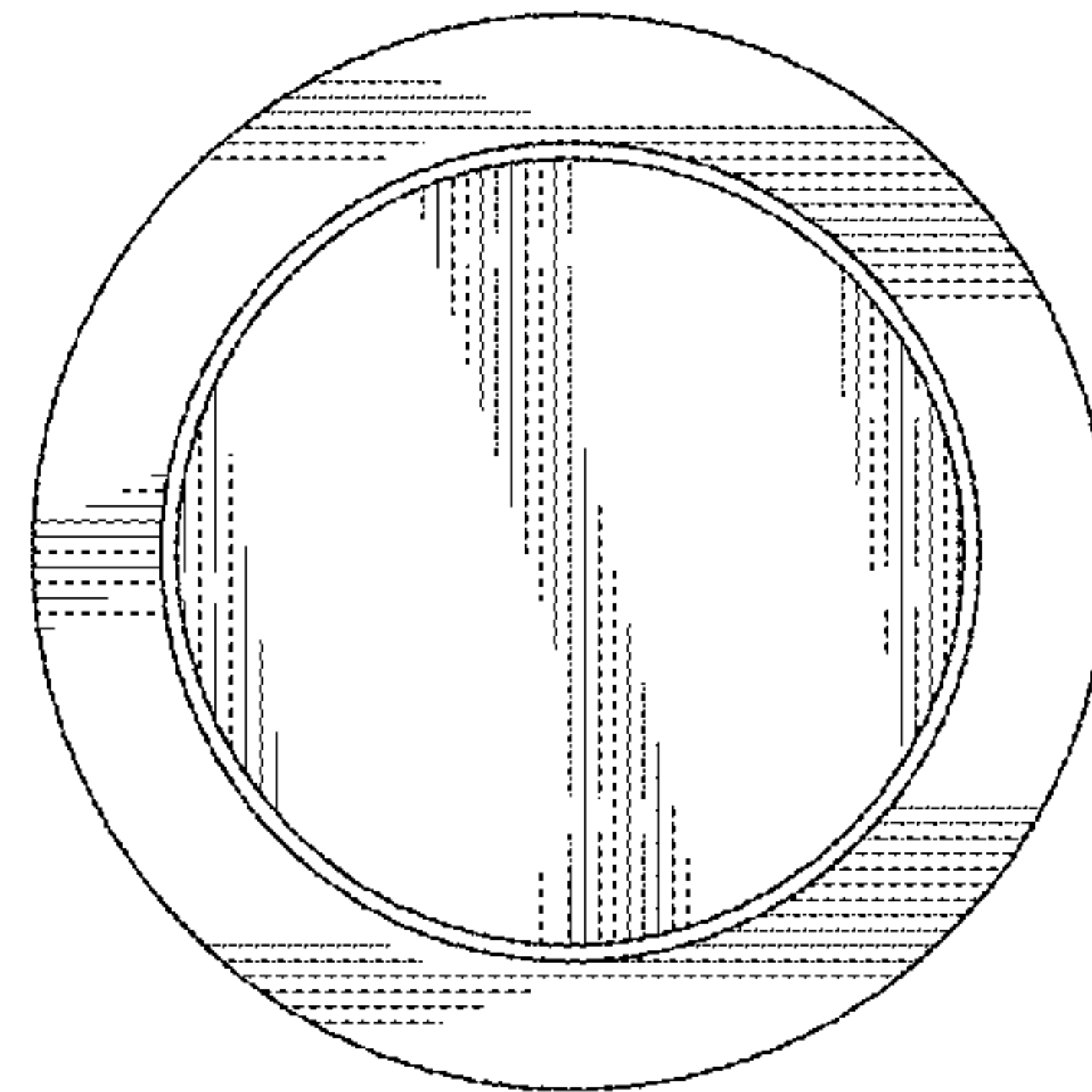


FIG. 3

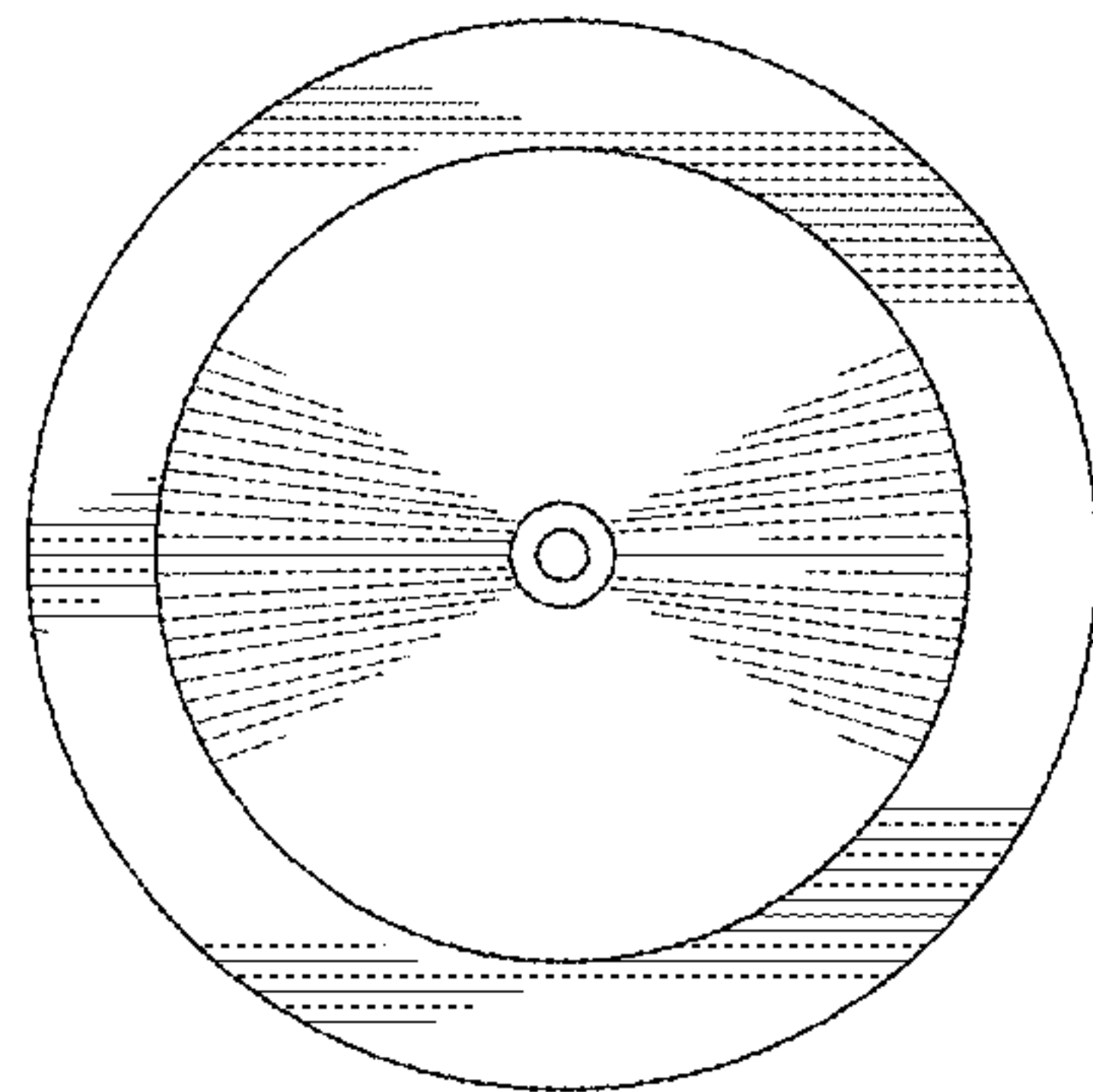


FIG. 4

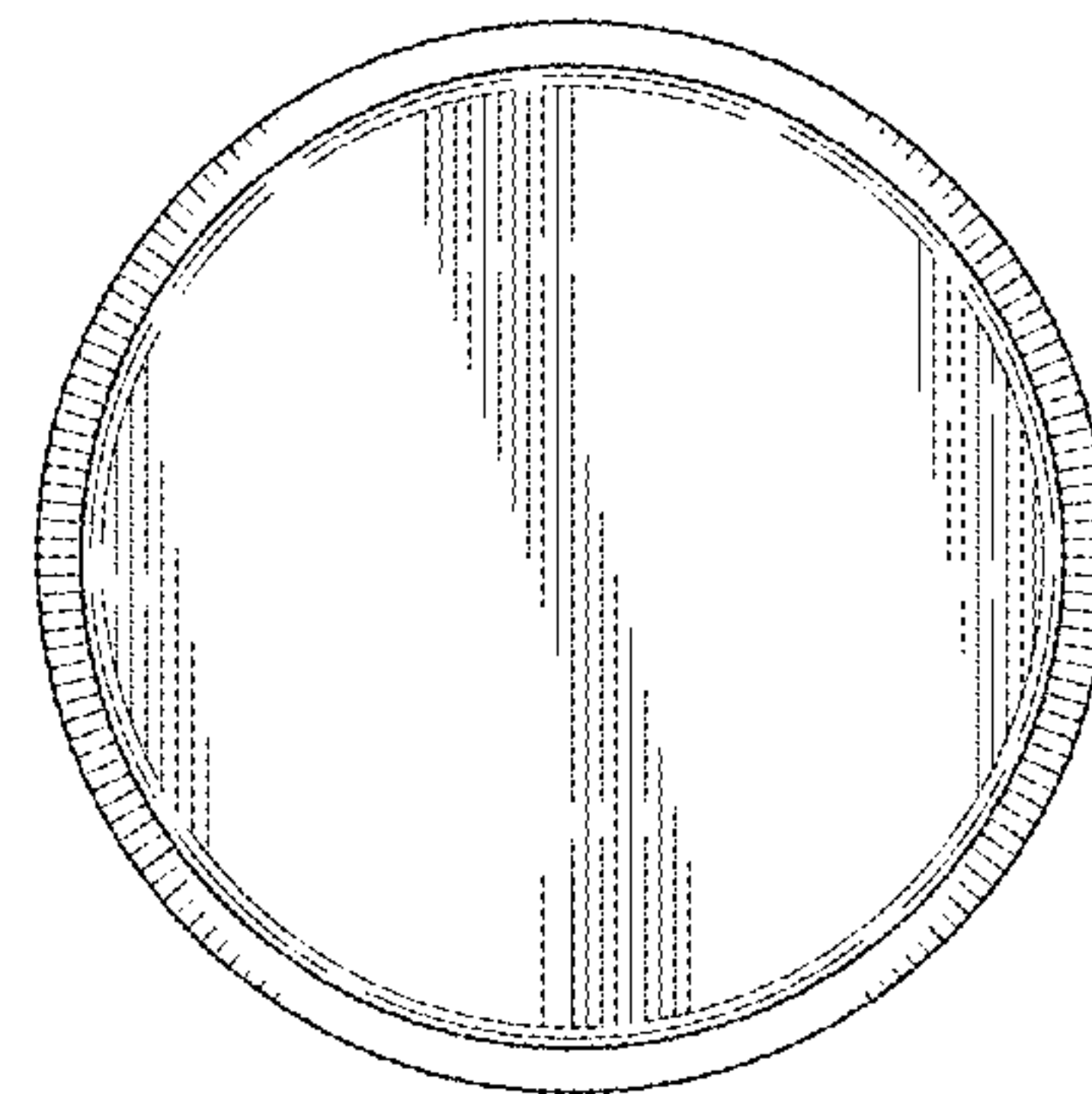


FIG. 5



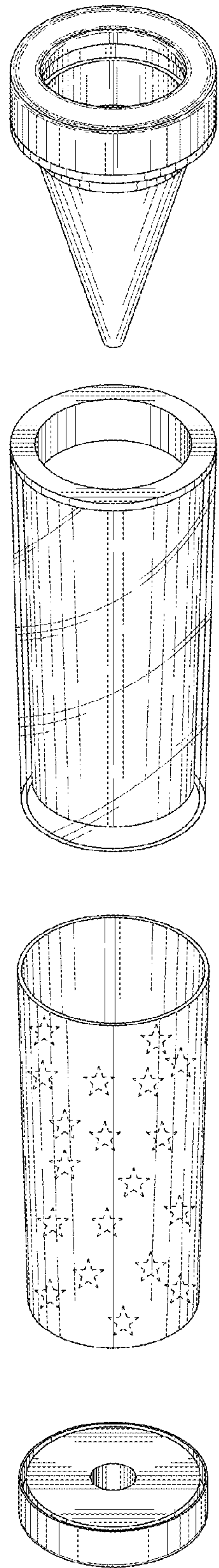


FIG. 6

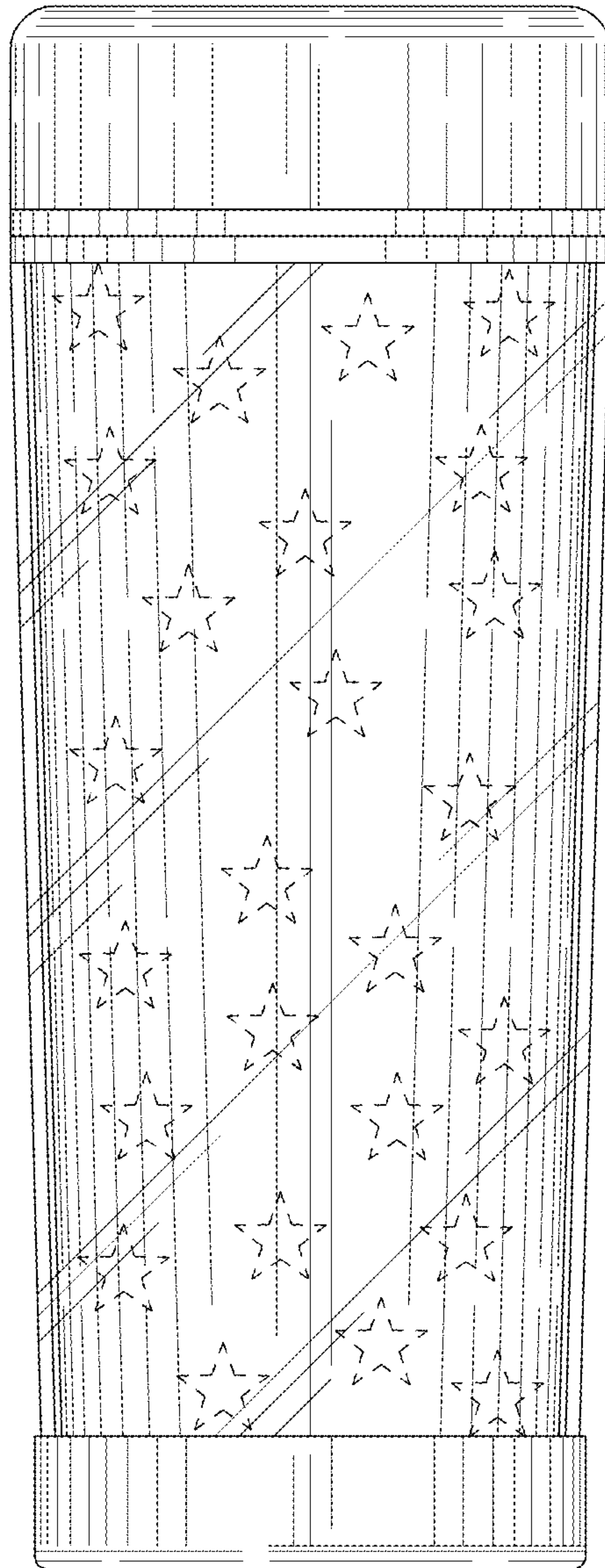


FIG. 7

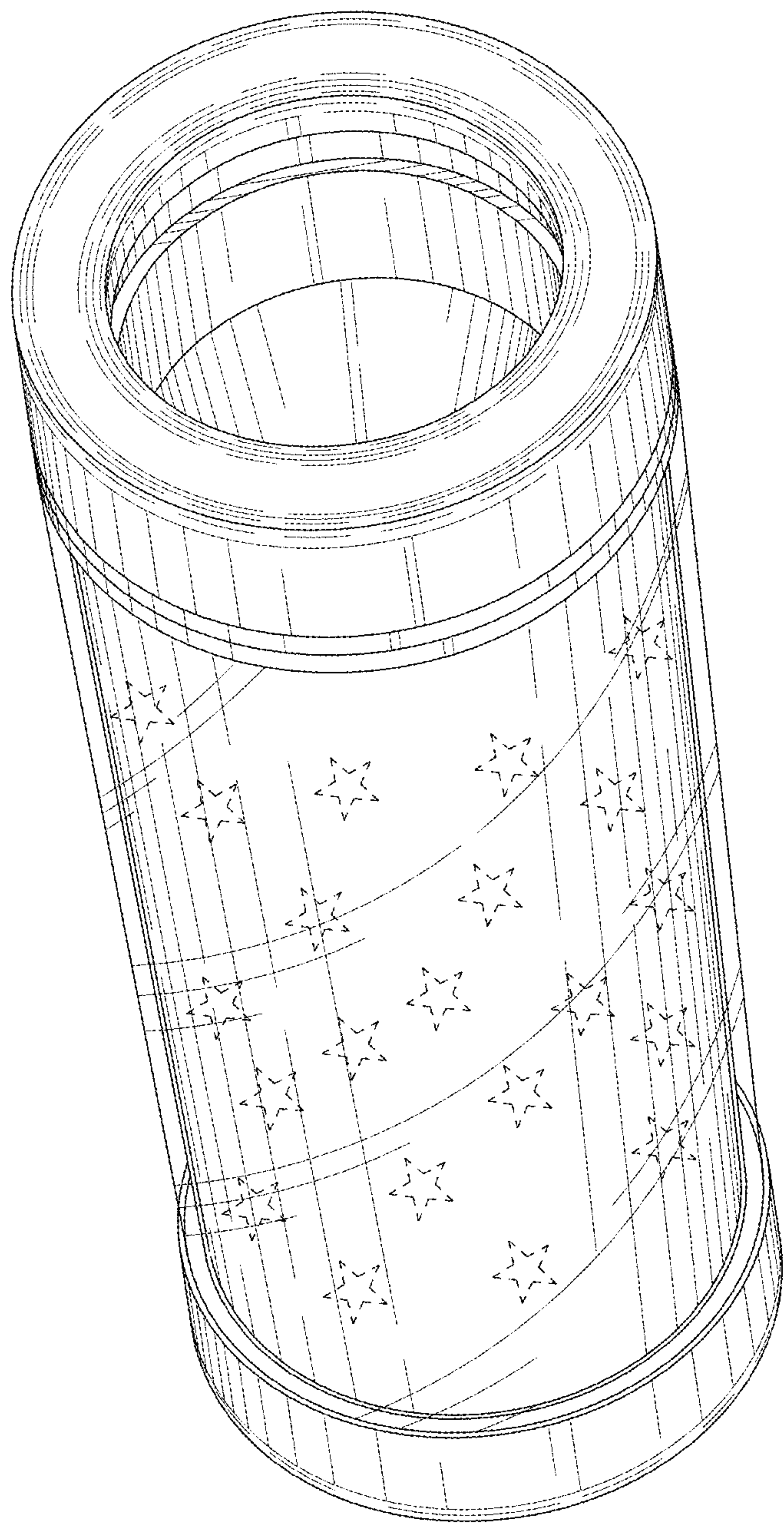


FIG. 8

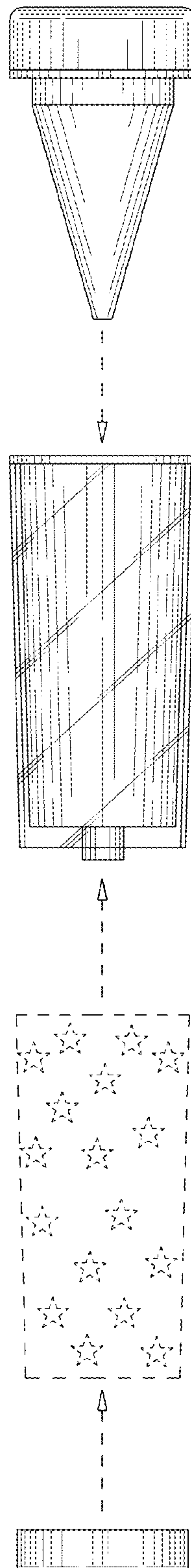


FIG. 9



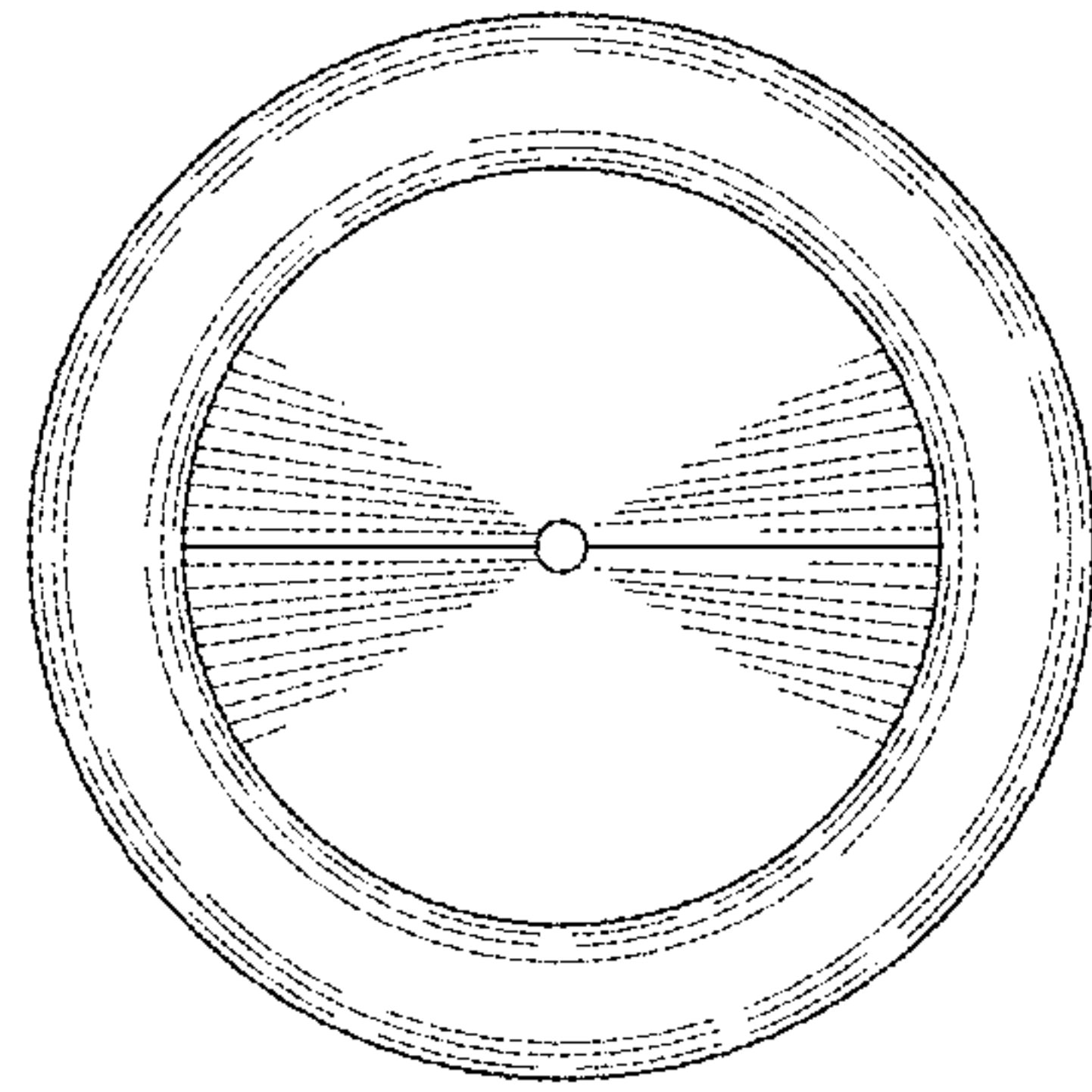


FIG. 10

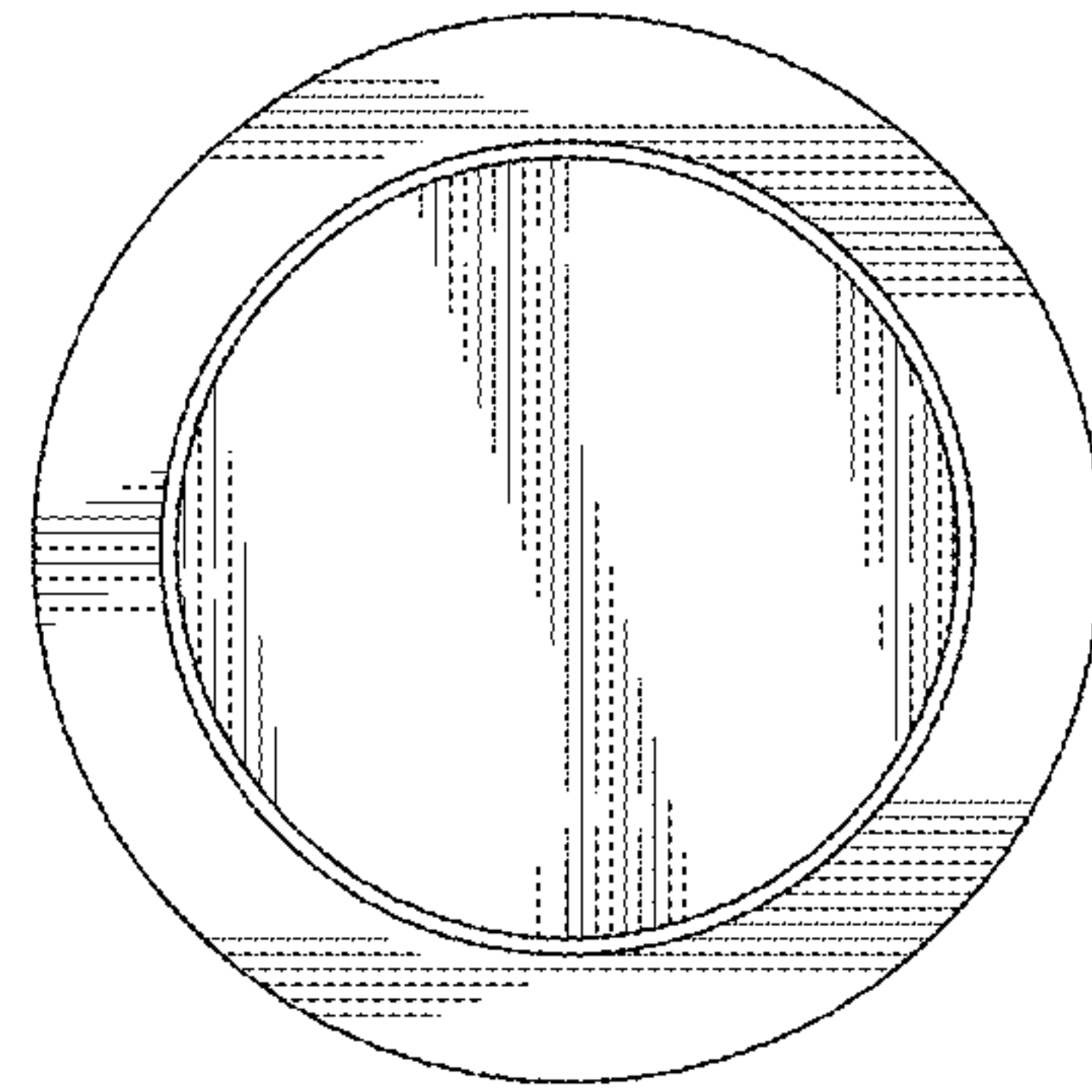


FIG. 11

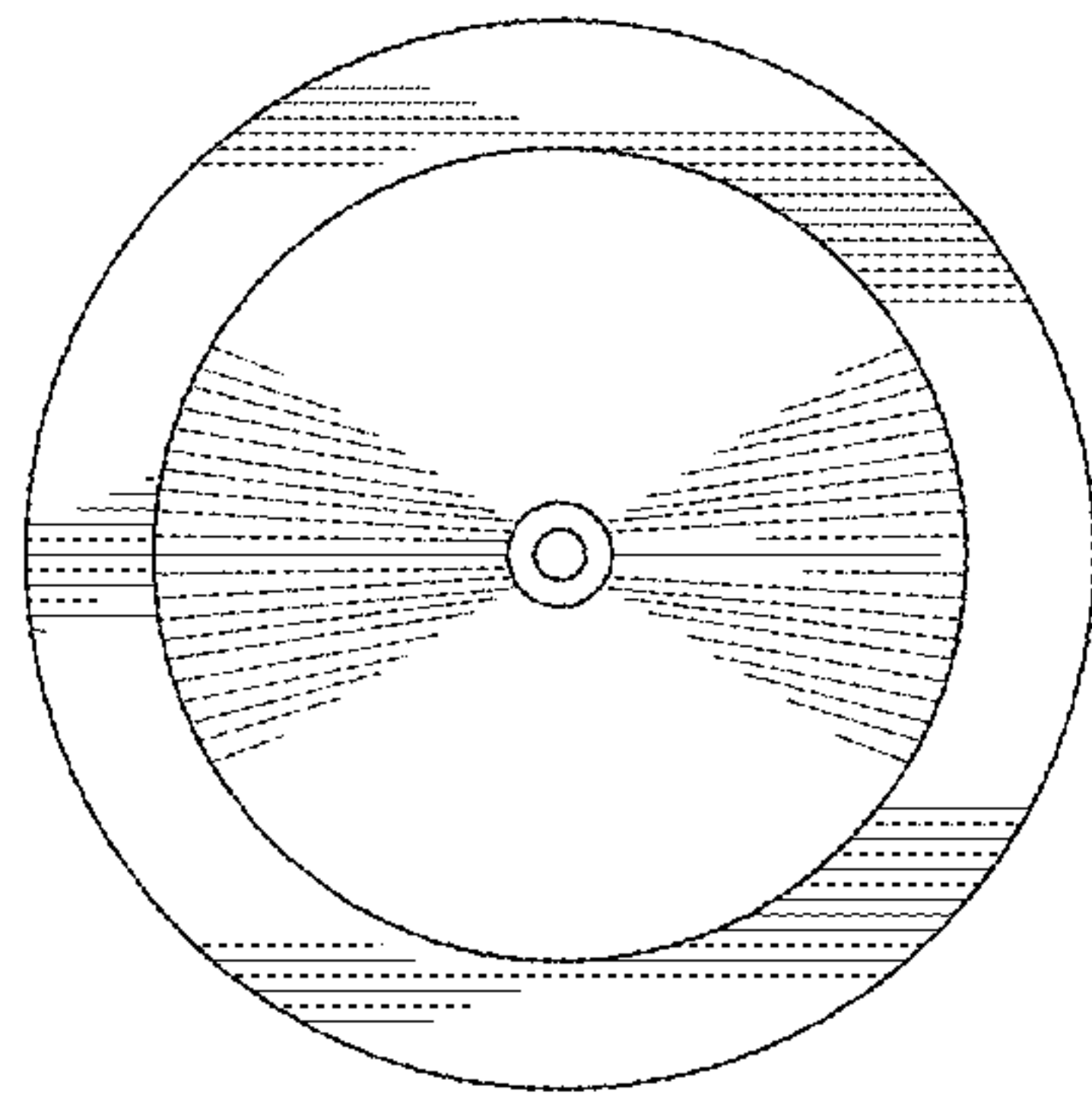


FIG. 12

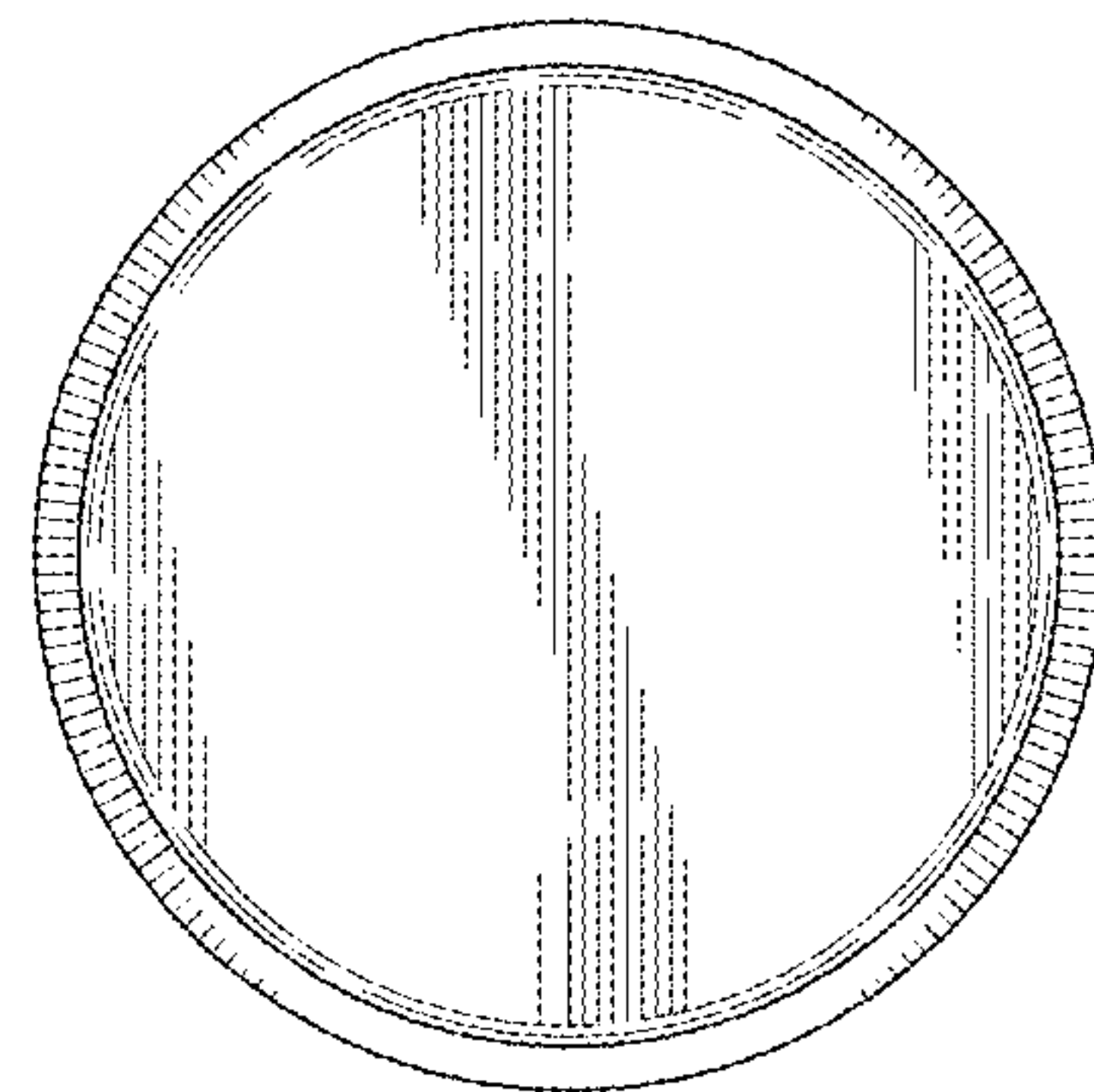


FIG. 13

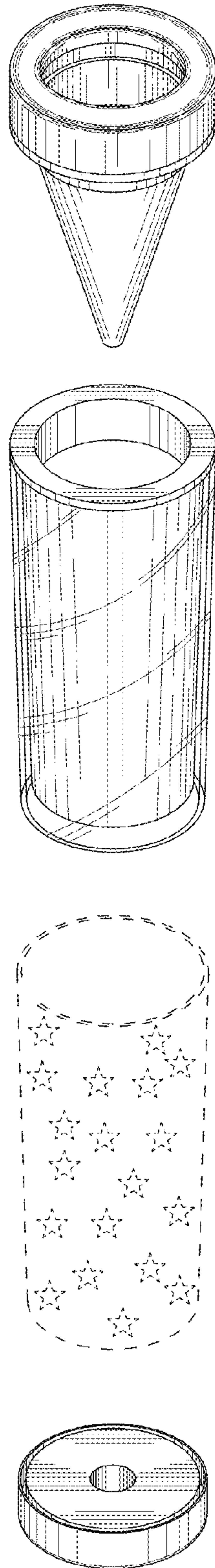


FIG. 14

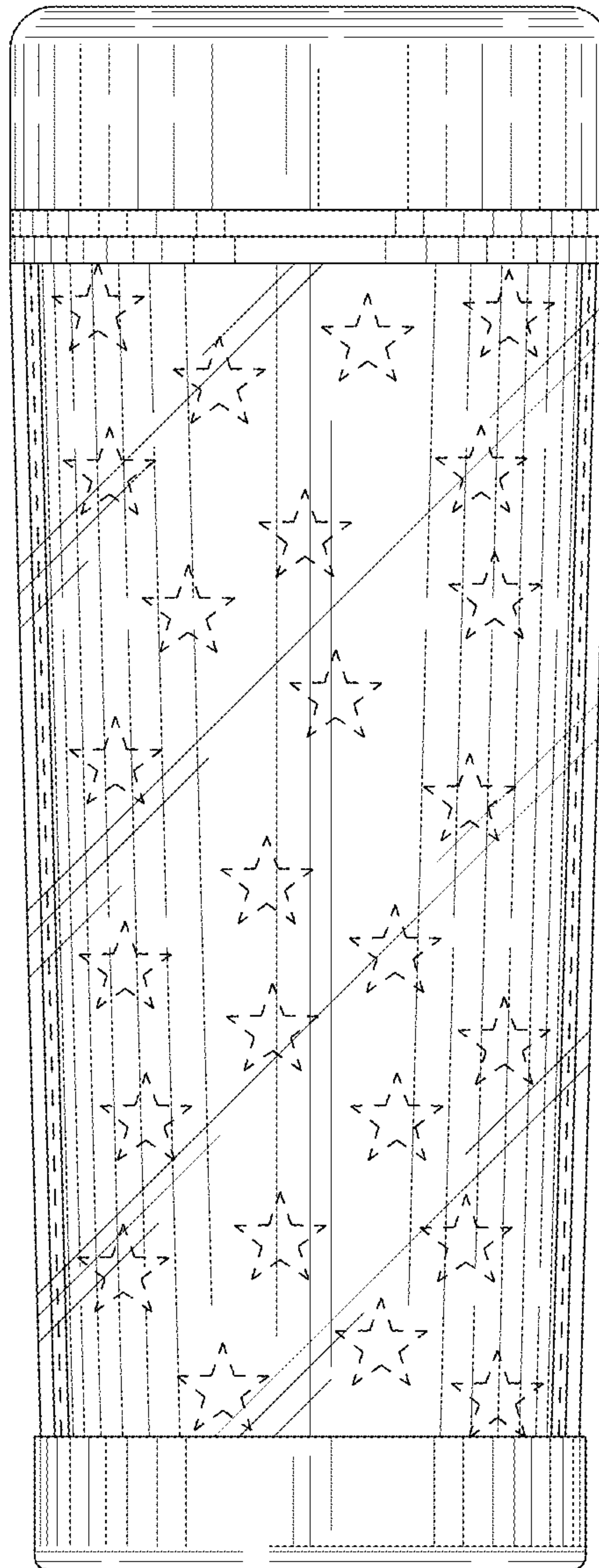


FIG. 15

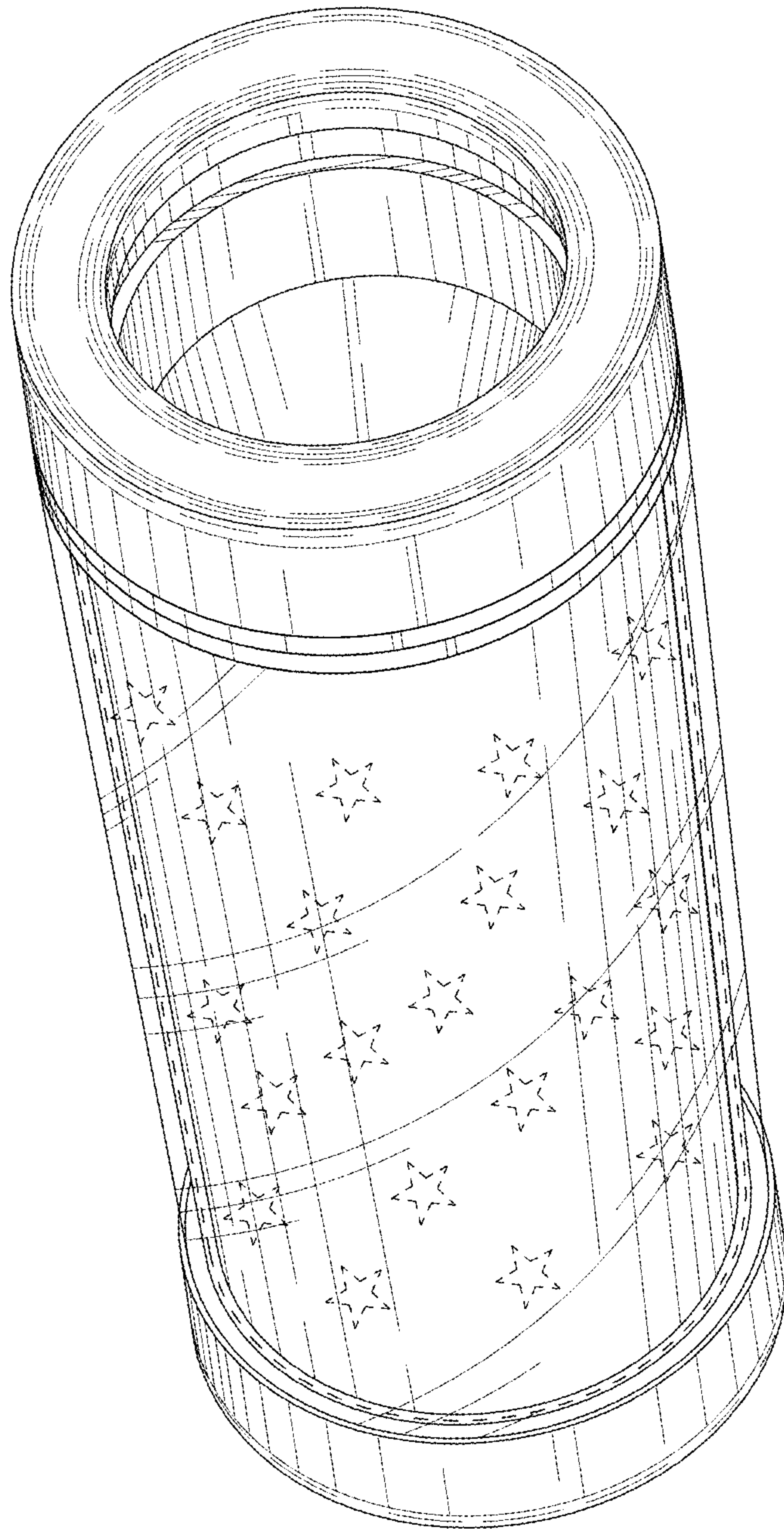


FIG. 16