



US00D731729S

(12) **United States Design Patent**
Korner

(10) **Patent No.:** **US D731,729 S**
(45) **Date of Patent:** **** Jun. 9, 2015**

(54) **BIN**

(71) Applicant: **Steven Charles Korner**, Masterton (NZ)

(72) Inventor: **Steven Charles Korner**, Masterton (NZ)

(**) Term: **14 Years**

(21) Appl. No.: **29/490,096**

(22) Filed: **May 6, 2014**

(30) **Foreign Application Priority Data**

Nov. 7, 2013 (NZ) 418203

(51) **LOC (10) Cl.** **09-09**

(52) **U.S. Cl.**
USPC **D34/1**

(58) **Field of Classification Search**
USPC D34/1-11; 220/908, 908.1, 909, 911
CPC B65F 1/06; B65F 1/068; B65F 7/00;
B65F 2210/179; B65F 2220/12

See application file for complete search history.

(56) **References Cited**

U.S. PATENT DOCUMENTS

| | | | |
|--------------|--------|---------------------|--------|
| D545,374 S * | 6/2007 | Gollob | D20/6 |
| D549,409 S * | 8/2007 | Daams | D32/37 |
| D641,119 S * | 7/2011 | Rampton et al. | D34/1 |
| D675,802 S * | 2/2013 | Yang et al. | D34/7 |

* cited by examiner

Primary Examiner — Cynthia Ramirez

(57) **CLAIM**

I claim the ornamental design for a bin, as shown and described.

DESCRIPTION

FIG. 1 is a side view of a bin showing my new design;
FIG. 2 is a front view thereof;
FIG. 3 is a rear view thereof;
FIG. 4 is a top view thereof;
FIG. 5 is a top, front perspective view thereof;
FIG. 6 is a side, rear perspective view thereof; and,
FIG. 7 is a side, front perspective view thereof.

1 Claim, 7 Drawing Sheets

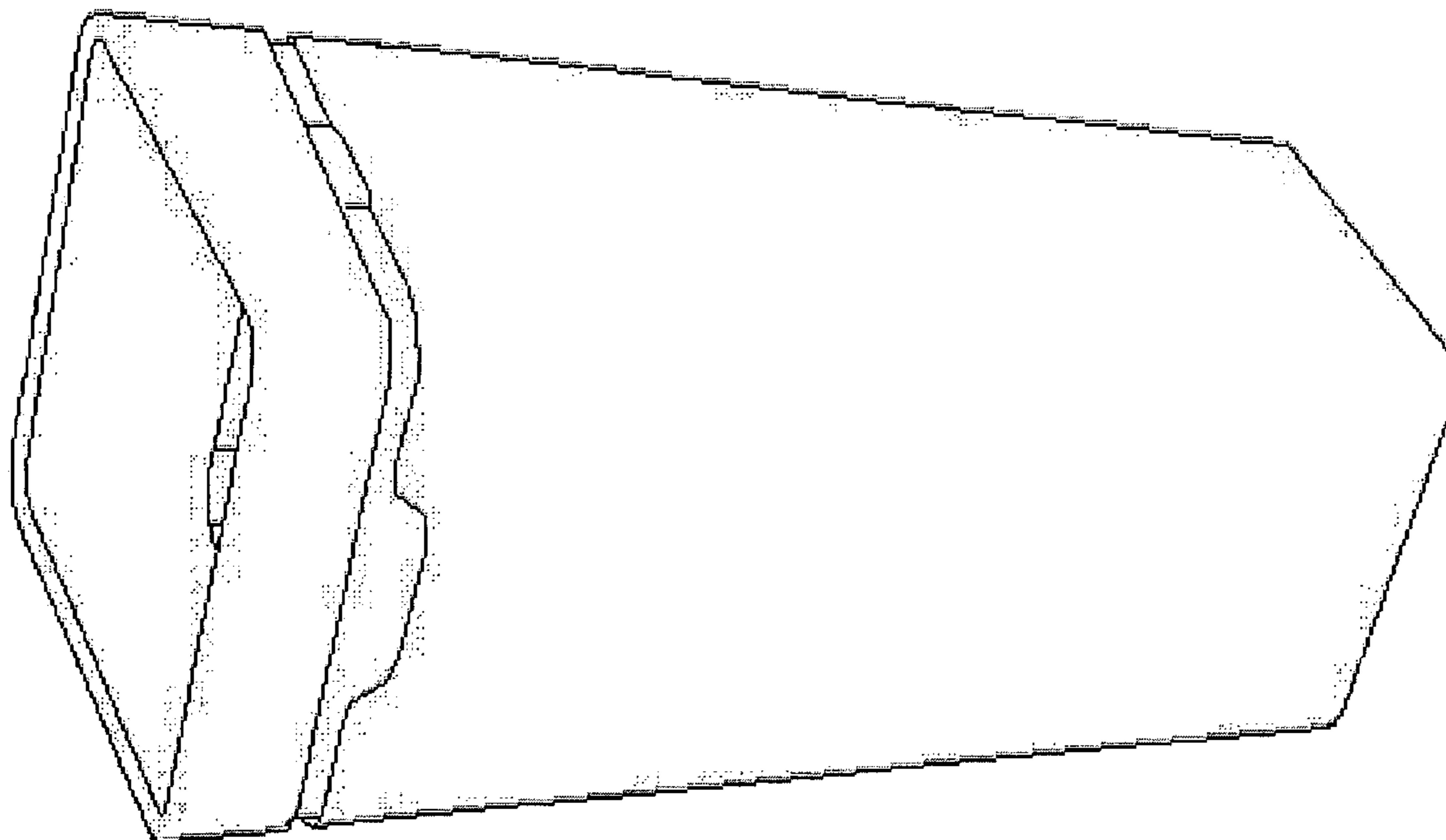


Fig. 1

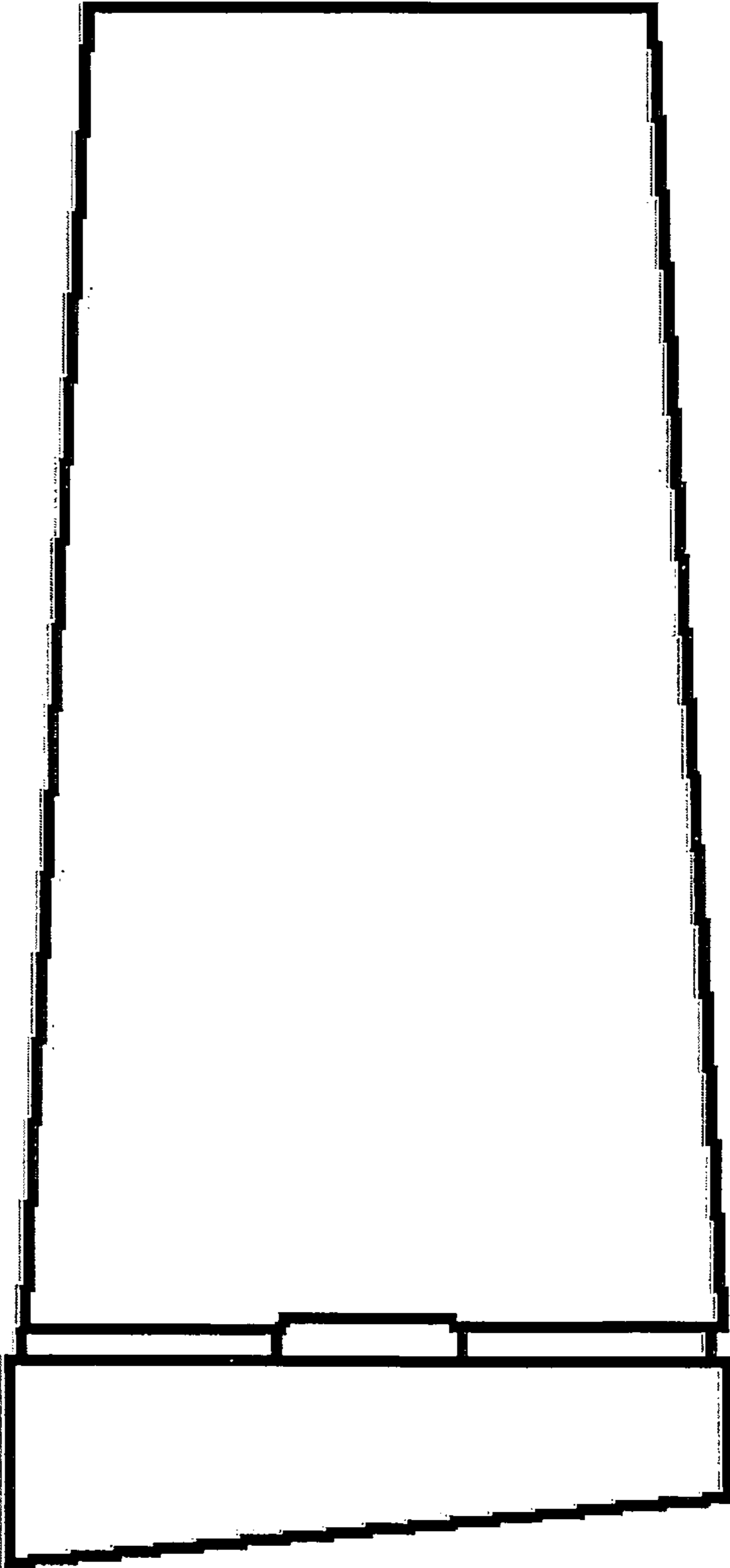


Fig. 2

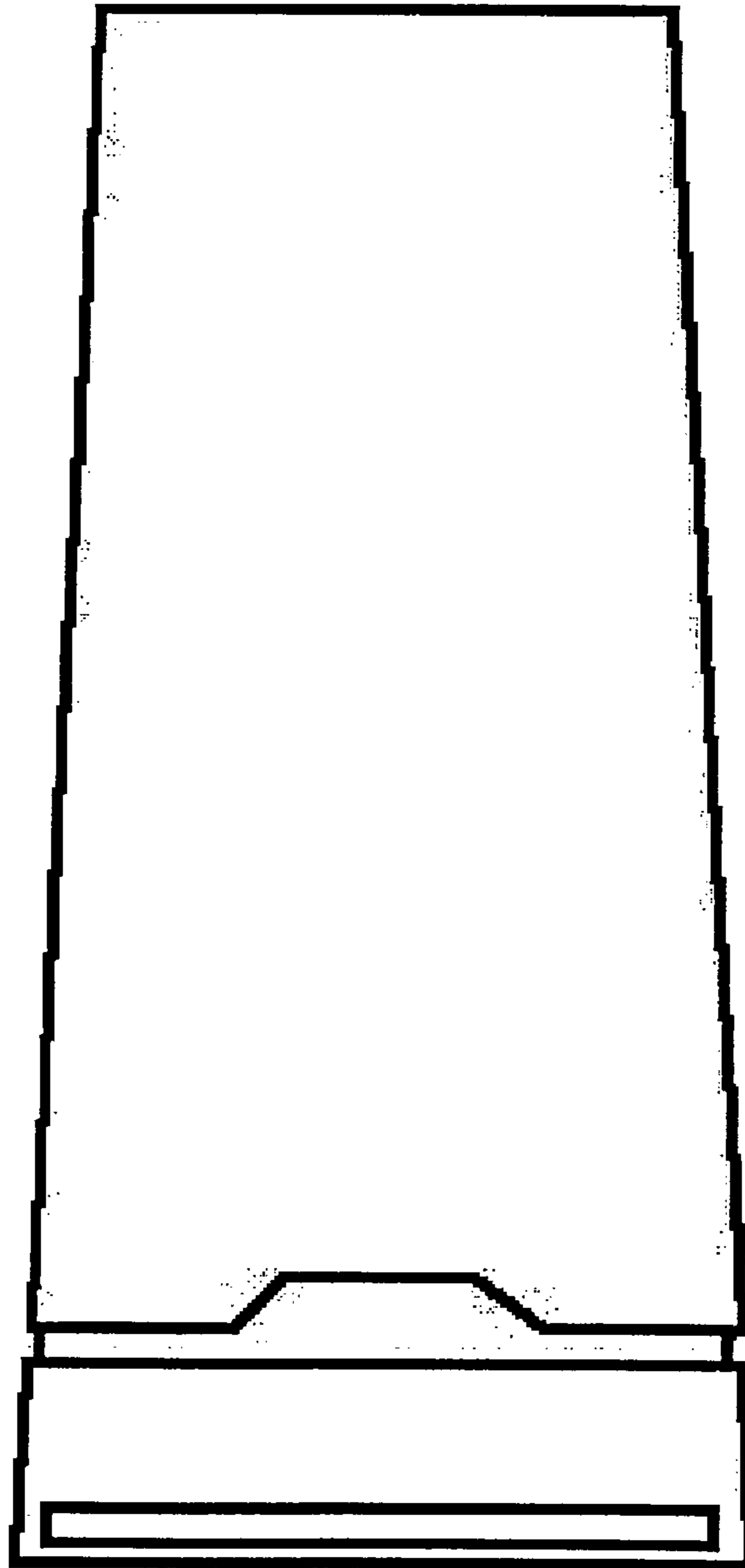


Fig. 3

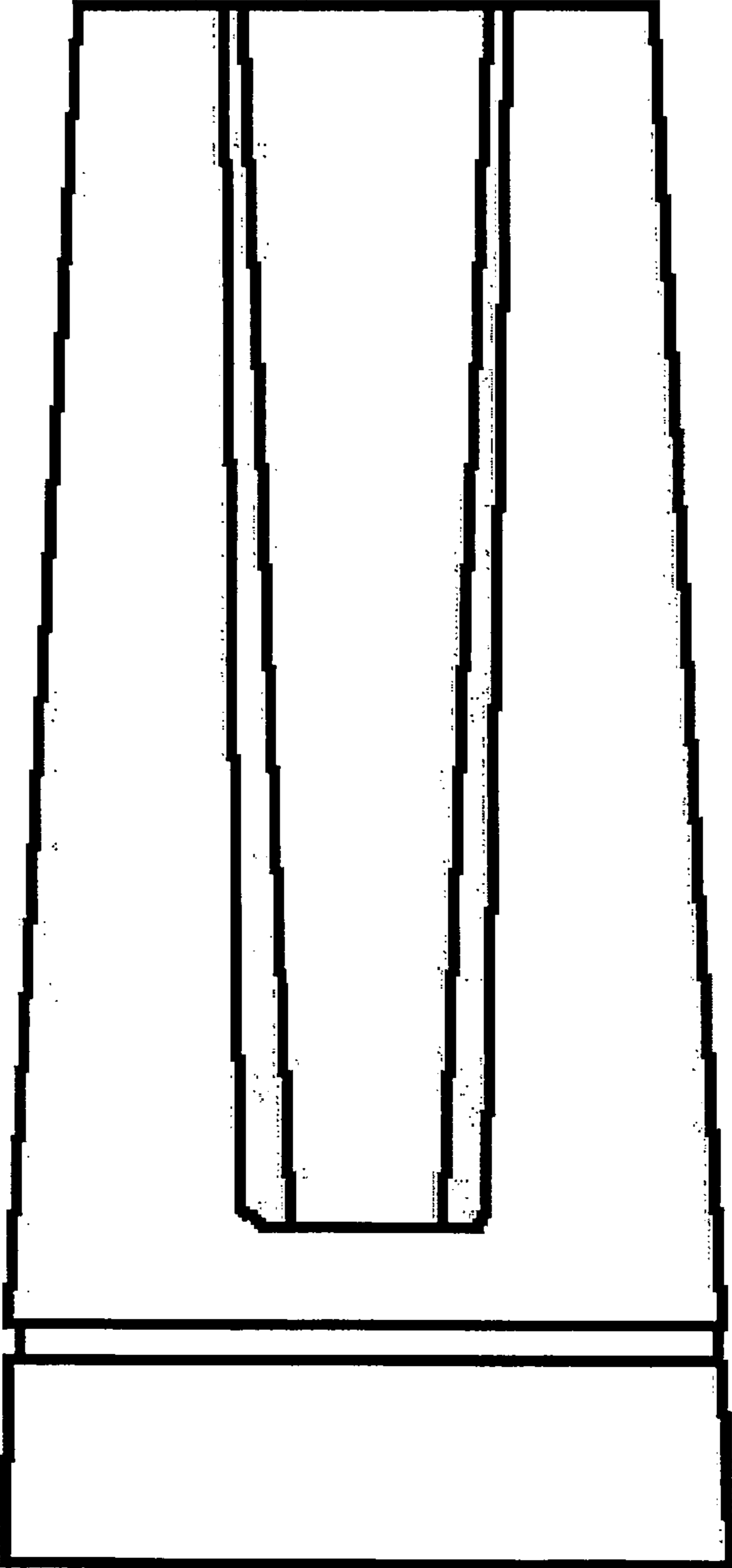


Fig. 4

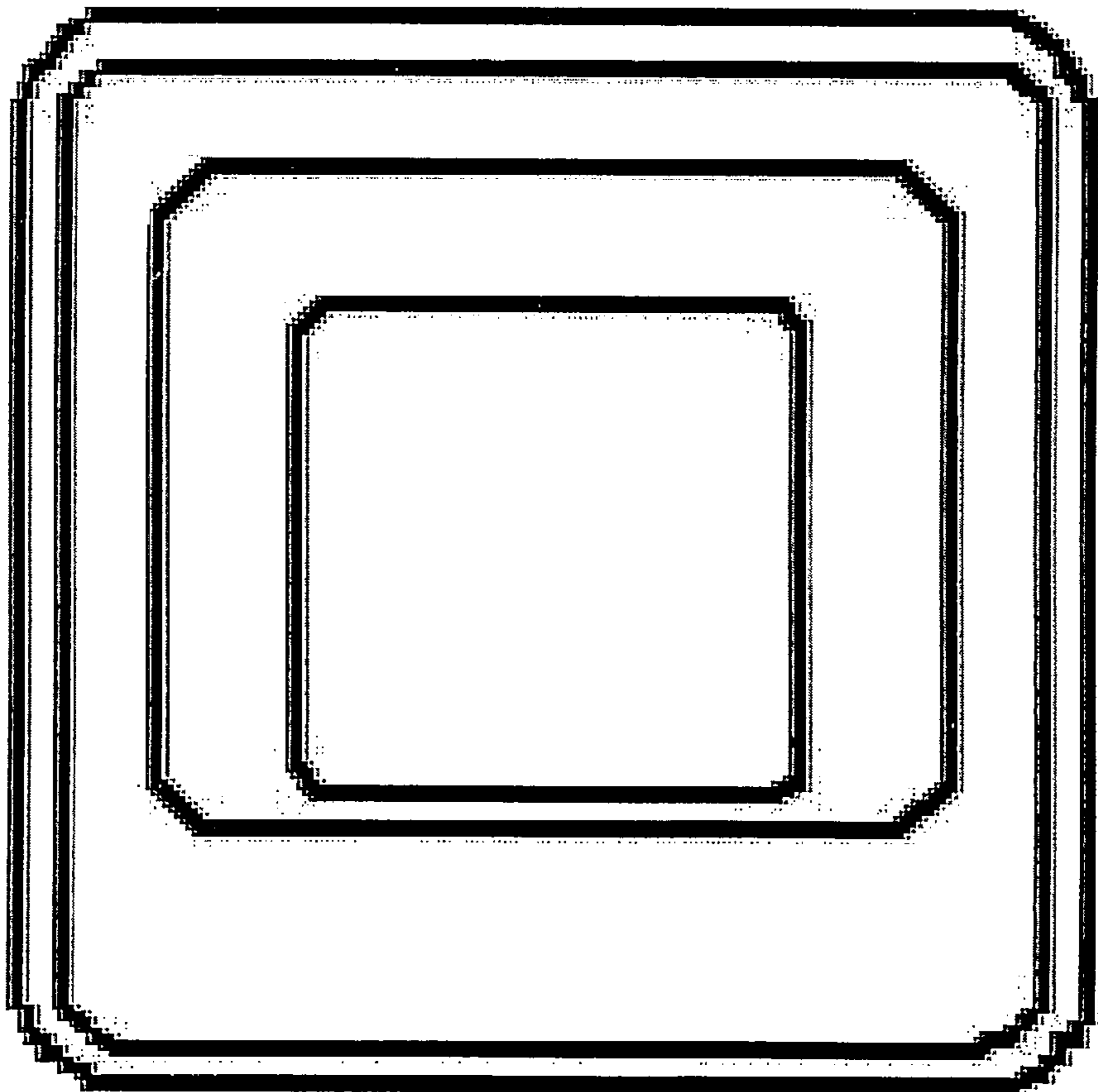


Fig. 5

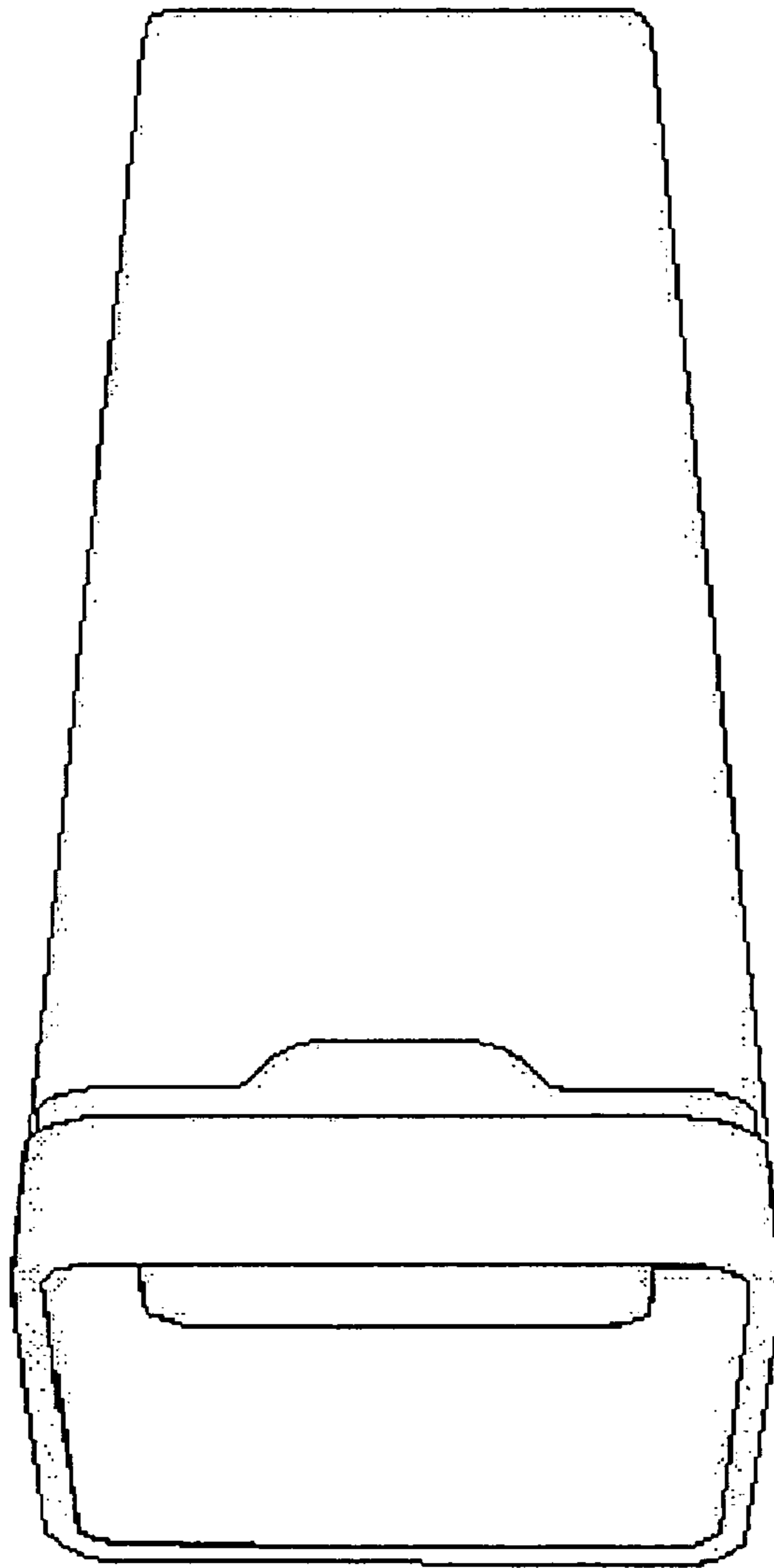


Fig. 6

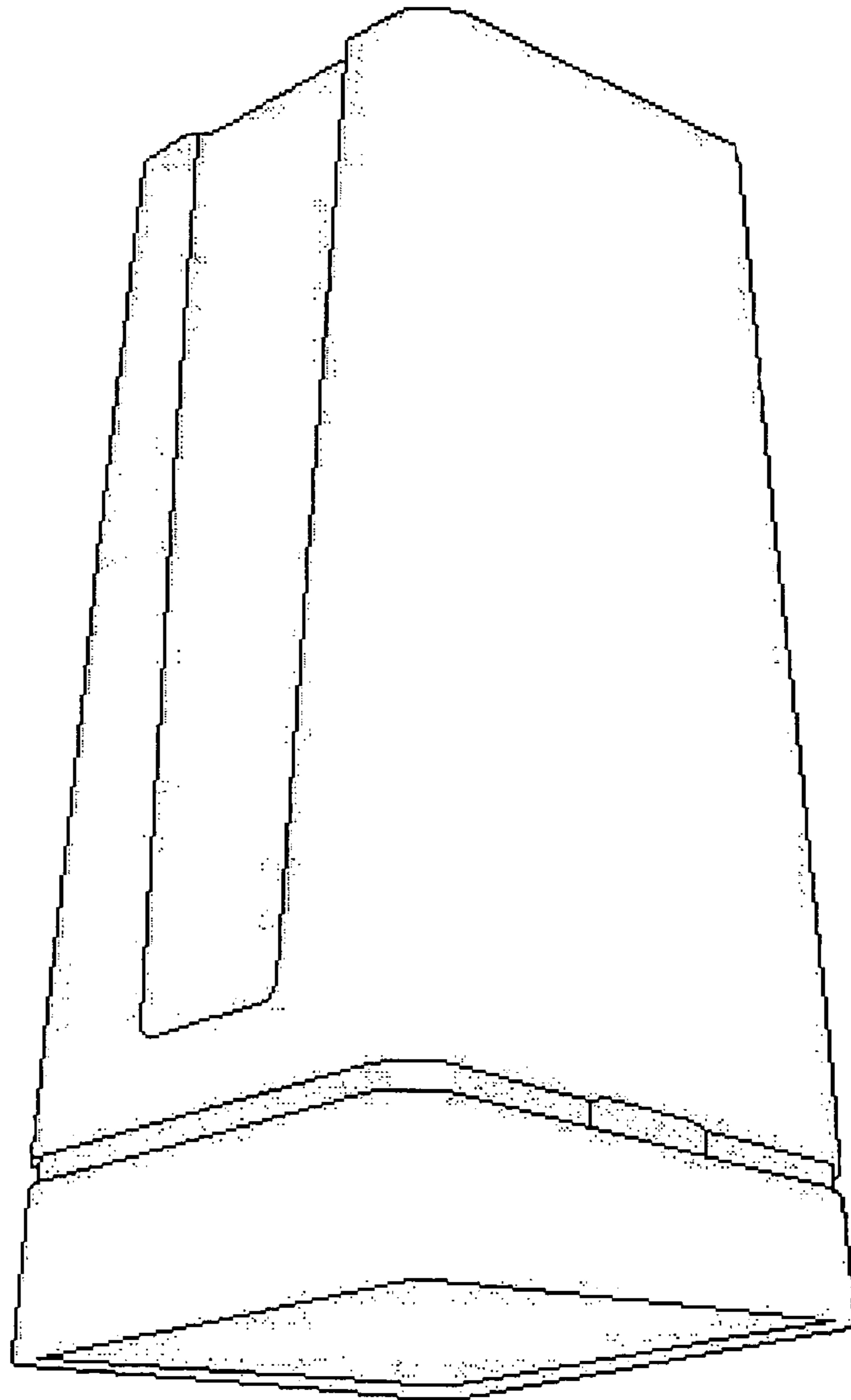


Fig. 7

