



US00D731728S

(12) **United States Design Patent**
Evans et al.

(10) **Patent No.:** **US D731,728 S**
(45) **Date of Patent:** **** Jun. 9, 2015**

(54) **IN-SINK CADDY**

(71) Applicant: **JOSEPH JOSEPH LTD.**, London (GB)

(72) Inventors: **David Evans**, Cambridge (GB); **Ashley May**, Cambridge (GB)

(73) Assignee: **JOSEPH JOSEPH LTD.**, London (GB)

(**) Term: **14 Years**

(21) Appl. No.: **29/448,395**

(22) Filed: **Mar. 12, 2013**

(30) **Foreign Application Priority Data**

Sep. 13, 2012 (EM) 002102343-0005

(51) **LOC (10) Cl.** **07-05**

(52) **U.S. Cl.**
USPC **D32/55**

(58) **Field of Classification Search**
USPC D32/55, 276, 3; D6/510, 525; D30/133;
211/41.5, 41.4, 41.3, 41.8; 361/679.4;
312/311, 333, 334.4; D7/354, 629
See application file for complete search history.

(56) **References Cited**

U.S. PATENT DOCUMENTS

D187,290 S * 2/1960 Miller D32/55
D363,576 S * 10/1995 Brightbill et al. D32/55

D514,764 S * 2/2006 Kumagai D32/55
D532,570 S * 11/2006 Vizcarra et al. D32/55
D566,361 S * 4/2008 Snell D32/55
D566,919 S * 4/2008 Snell D32/55
D568,019 S * 4/2008 Joseph D32/55
D626,363 S * 11/2010 Yang et al. D6/525
D635,383 S * 4/2011 Yang et al. D6/525
D642,841 S * 8/2011 Dretzka D6/553
D655,472 S * 3/2012 Krus et al. D32/55
D699,012 S * 2/2014 Ziemann et al. D32/55

* cited by examiner

Primary Examiner — Austin Murphy

(74) *Attorney, Agent, or Firm* — Millen, White, Zelano & Branigan, P.C.

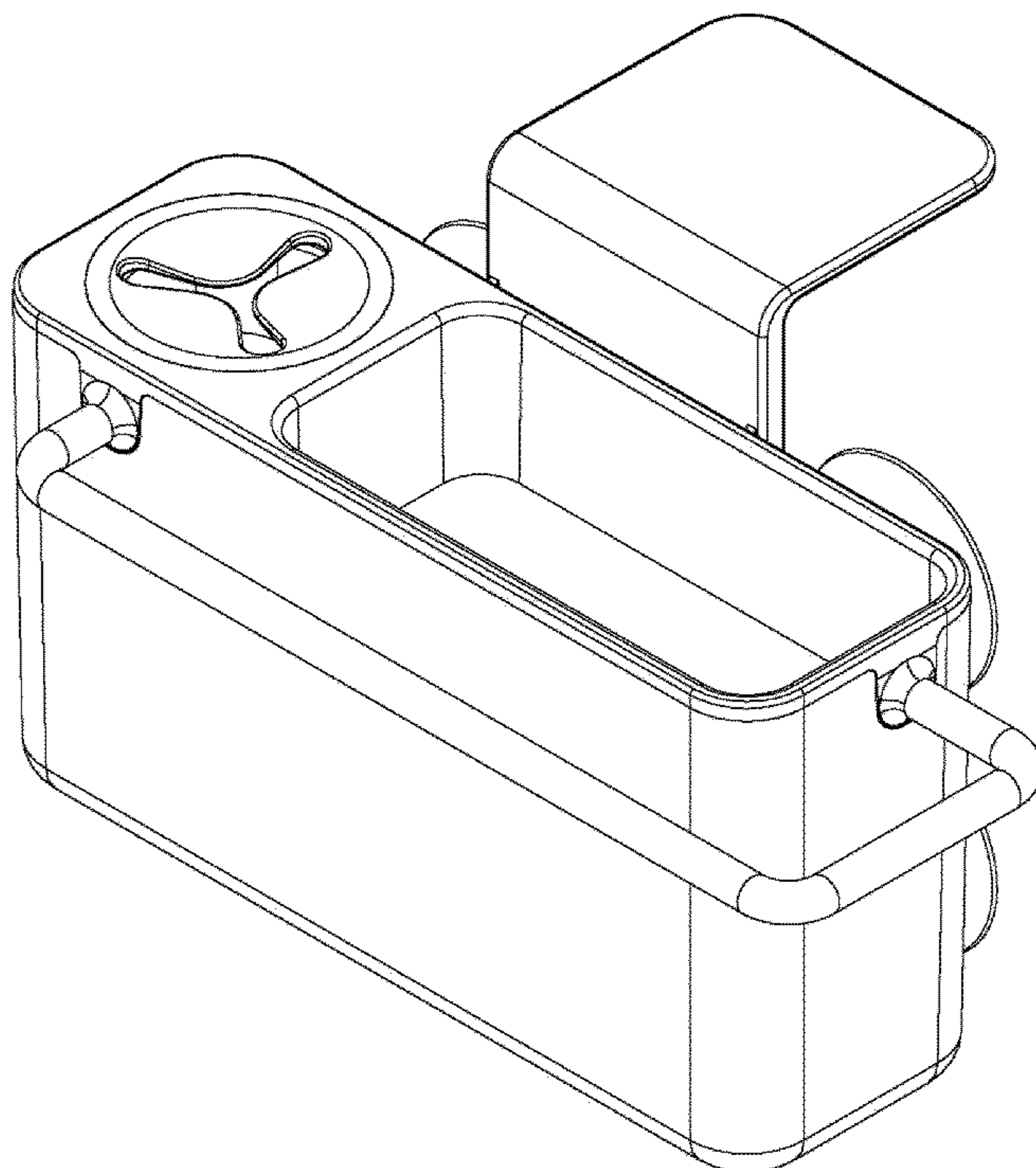
(57) **CLAIM**

The ornamental design for an in sink caddy, as shown and described.

DESCRIPTION

FIG. 1 is a perspective view of the in sink caddy showing my new design.
FIG. 2 is a front view thereof.
FIG. 3 is a back view thereof.
FIG. 4 is a top view thereof.
FIG. 5 is another top view thereof.
FIG. 6 is a side view thereof; and,
FIG. 7 is another side view thereof.
The broken lines shown in the drawings represent portions of the in-sink caddy that form no part of the claimed design.

1 Claim, 7 Drawing Sheets



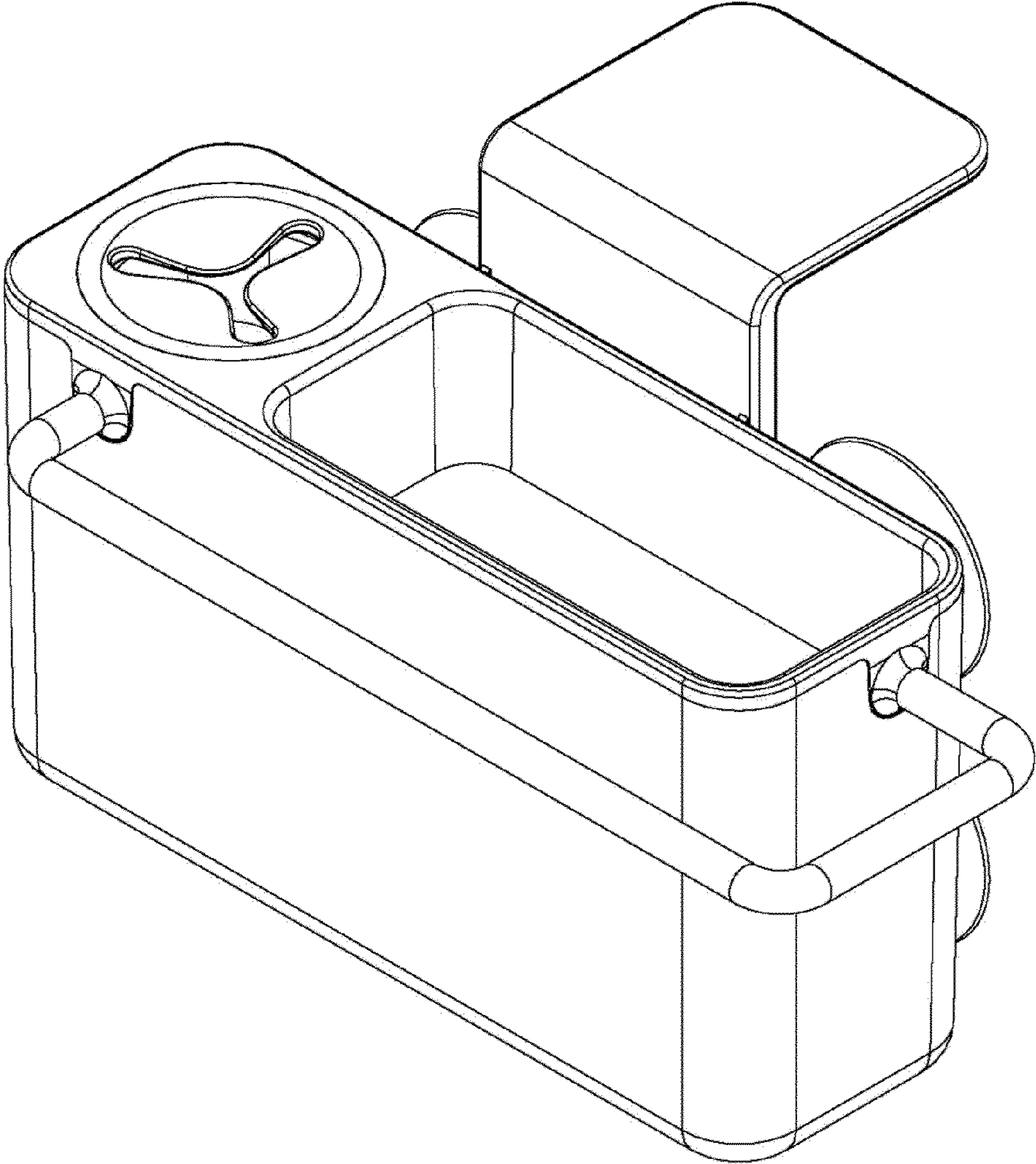


Fig. 1

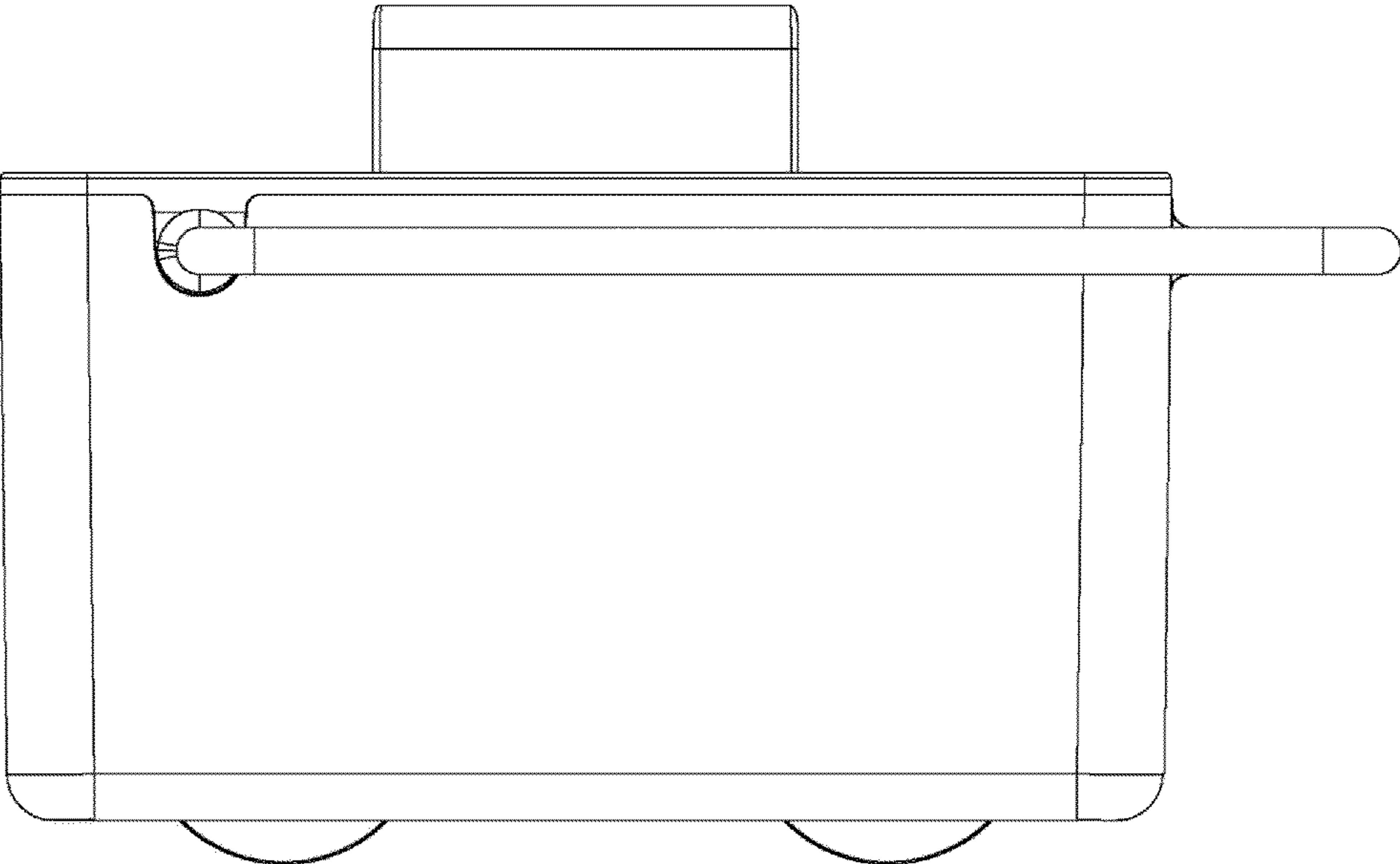


Fig. 2

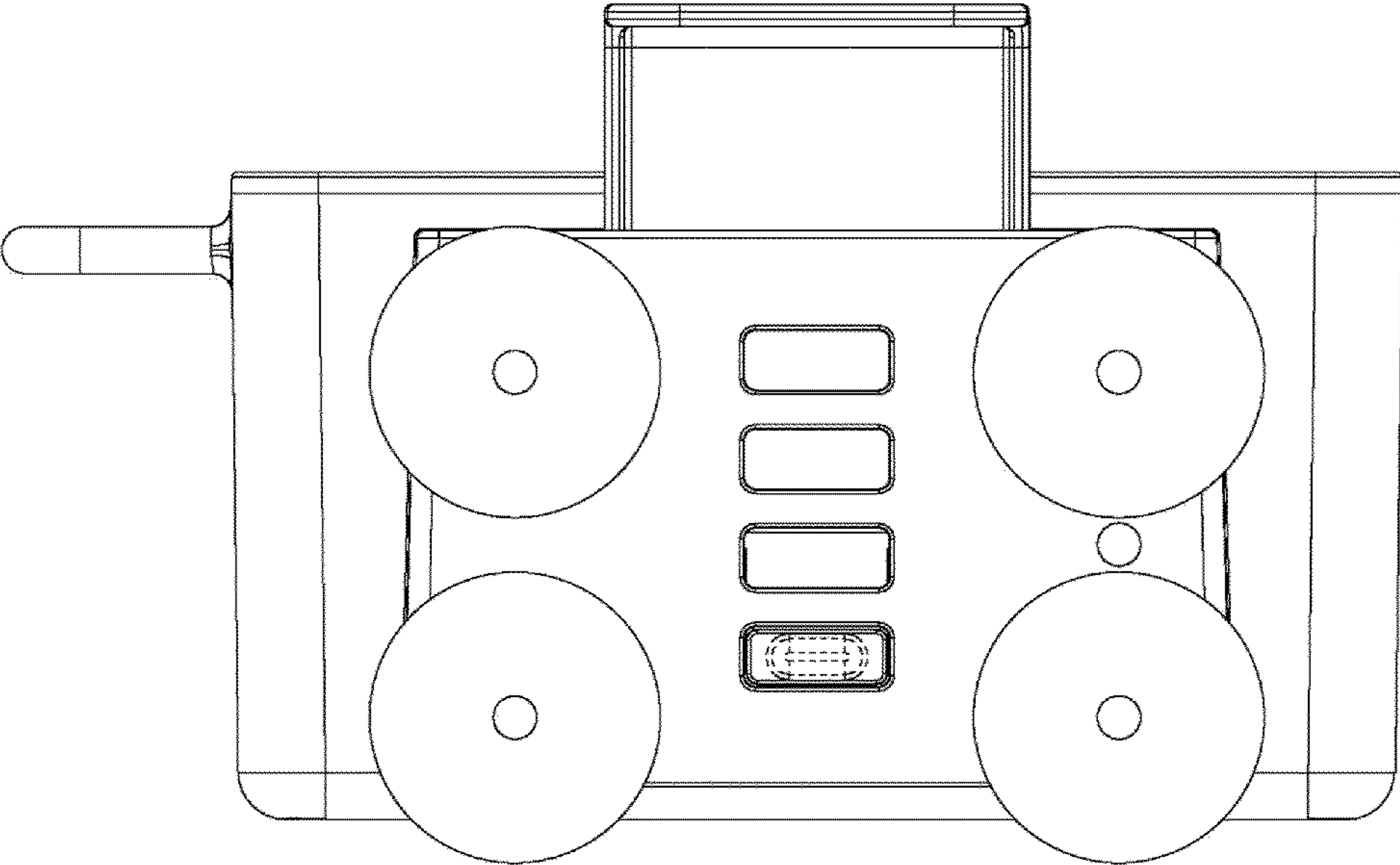


Fig. 3

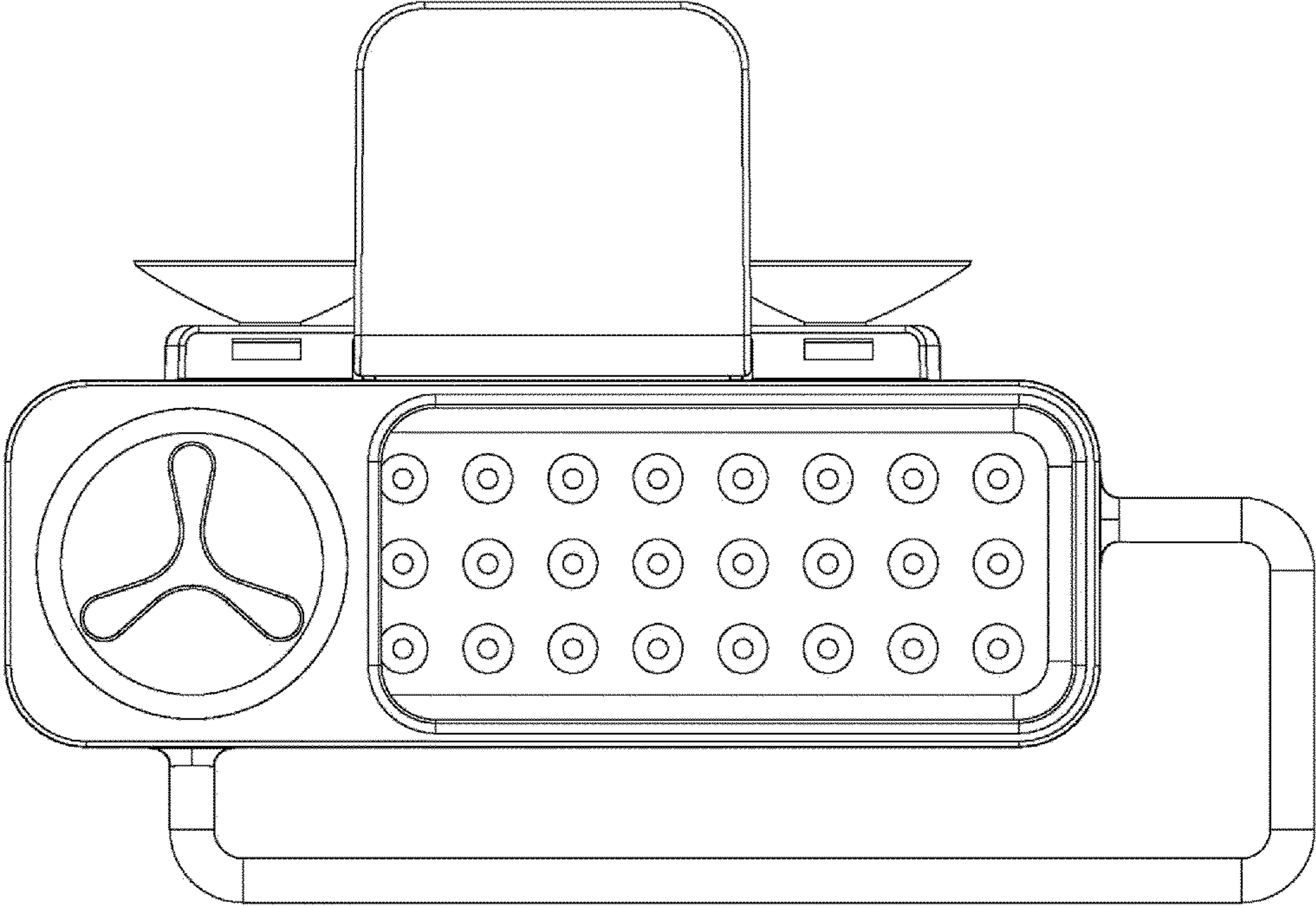


Fig. 4

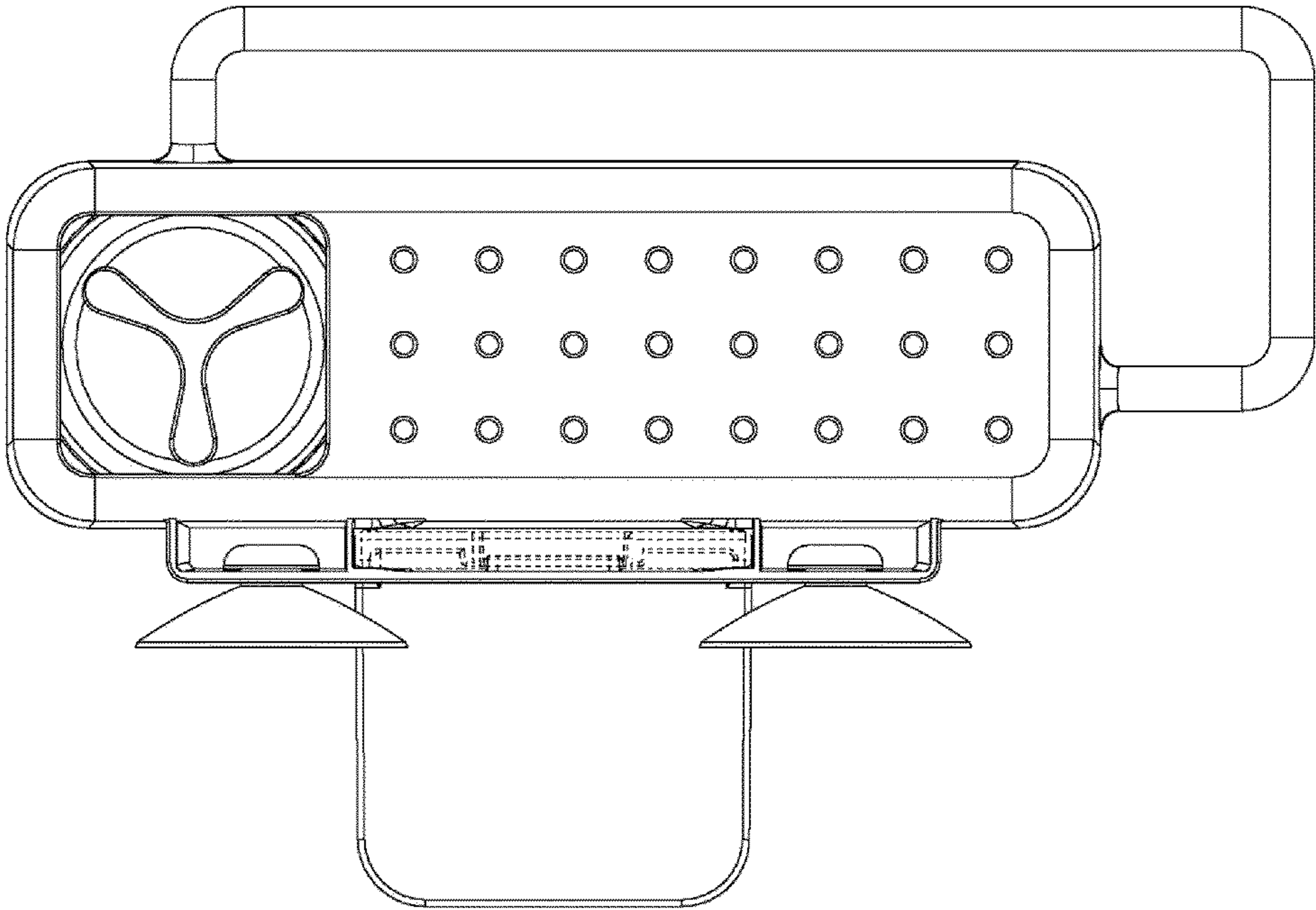


Fig. 5

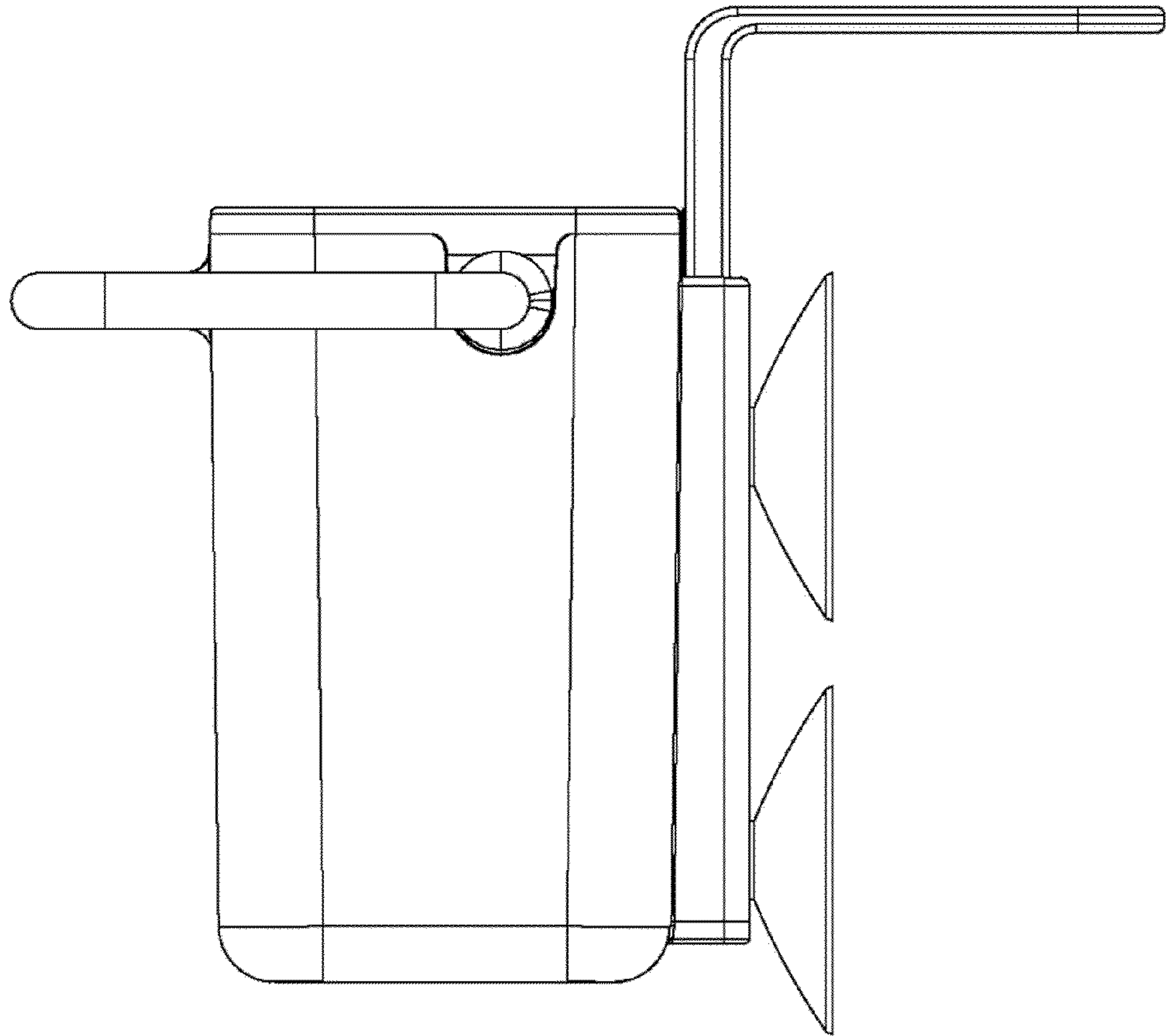


Fig. 6

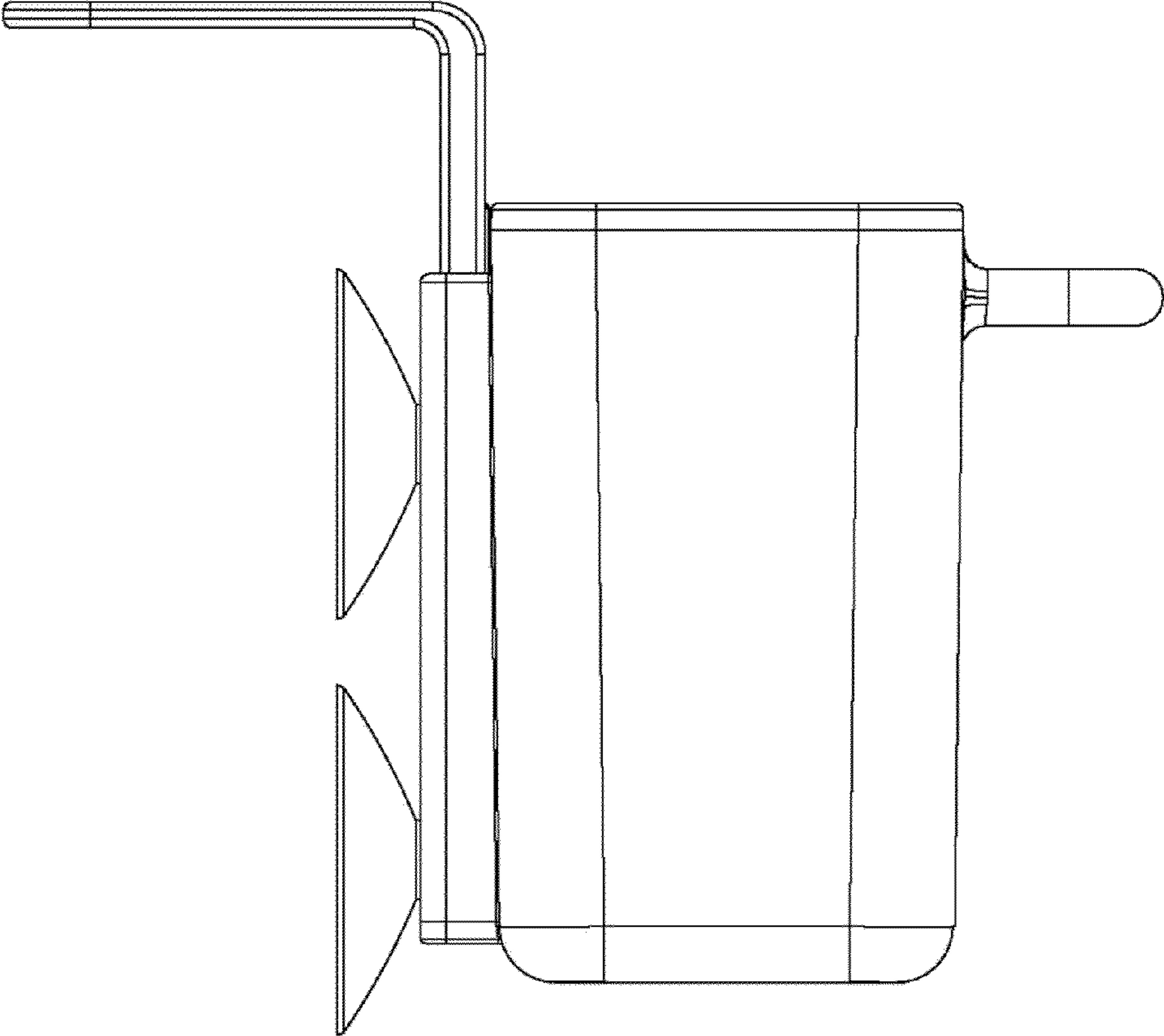


Fig. 7