



US00D731727S

(12) **United States Design Patent**
Clarke

(10) **Patent No.:** **US D731,727 S**

(45) **Date of Patent:** **** Jun. 9, 2015**

(54) **MOP HEAD**

(71) Applicant: **UMF Corporation**, Skokie, IL (US)

(72) Inventor: **George Clarke**, Skokie, IL (US)

(**) Term: **14 Years**

(21) Appl. No.: **29/473,996**

(22) Filed: **Nov. 27, 2013**

(51) **LOC (10) Cl.** **08-99**

(52) **U.S. Cl.**
USPC **D32/35**

(58) **Field of Classification Search**
USPC D32/17, 32, 35, 40, 41, 42, 43, 44, 45,
D32/46, 50, 51, 53, 53.1, 55, 74; D8/349,
D8/356, 382, 383; D11/208, 212, 218;
15/147.1, 149, 150, 151, 154.2, 228,
15/320, 344, 403; 206/354, 356, 374
CPC A47L 13/20; A47L 13/22; A47L 13/225;
A47L 13/24; A47L 13/25; A47L
13/252-13/257; A47L 13/502; A47L 13/58;
B08B 1/00; B08B 1/002; B08B 1/003; B08B
1/005; B08B 1/006; B08B 3/003; B08B 3/04
See application file for complete search history.

(56) **References Cited**

U.S. PATENT DOCUMENTS

4,731,897 A * 3/1988 Griffin 15/147.1
D308,741 S * 6/1990 Tsukamoto D32/51
D514,267 S * 1/2006 Tsai D32/45
D515,759 S * 2/2006 Fischer D32/45
7,137,169 B2 * 11/2006 Murphy et al. 15/320
D547,509 S * 7/2007 Lin et al. D32/38

7,451,519 B2 * 11/2008 Nishinaka et al. 15/231
D599,517 S * 9/2009 Vrdoljak D32/40
2012/0180239 A1 * 7/2012 Byrne 15/154.2
2013/0212822 A1 * 8/2013 Libman et al. 15/150
2014/0237749 A1 * 8/2014 Yang et al. 15/228
2015/0013098 A1 * 1/2015 Vrdoljak et al. 15/320

OTHER PUBLICATIONS

Flat Mop Frames, Perfect Clean. (Aug. 2012), [online], [site visited Feb. 3, 2015]. Available from internet, URL: Retrieved from <http://www.perfectclean.com/z_products/mop_frames.html>.*

* cited by examiner

Primary Examiner — Caron D Veynar

Assistant Examiner — Natasha Vujcic

(74) *Attorney, Agent, or Firm* — Miller, Matthias & Hull LLP

(57) **CLAIM**

The ornamental design for a mop head, as shown and described.

DESCRIPTION

FIG. 1 is a perspective view, showing the top surface of the mop head;

FIG. 2 is a partial exploded bottom view thereof;

FIG. 3 is a side elevational view thereof;

FIG. 4 is a front elevational view thereof;

FIG. 5 is a top plan view thereof;

FIG. 6 is a rear elevational view thereof; and,

FIG. 7 is a bottom plan view thereof.

The broken lines appearing in FIGS. 1-7 illustrates portions of the mop head which forms no part of the claimed design.

1 Claim, 4 Drawing Sheets

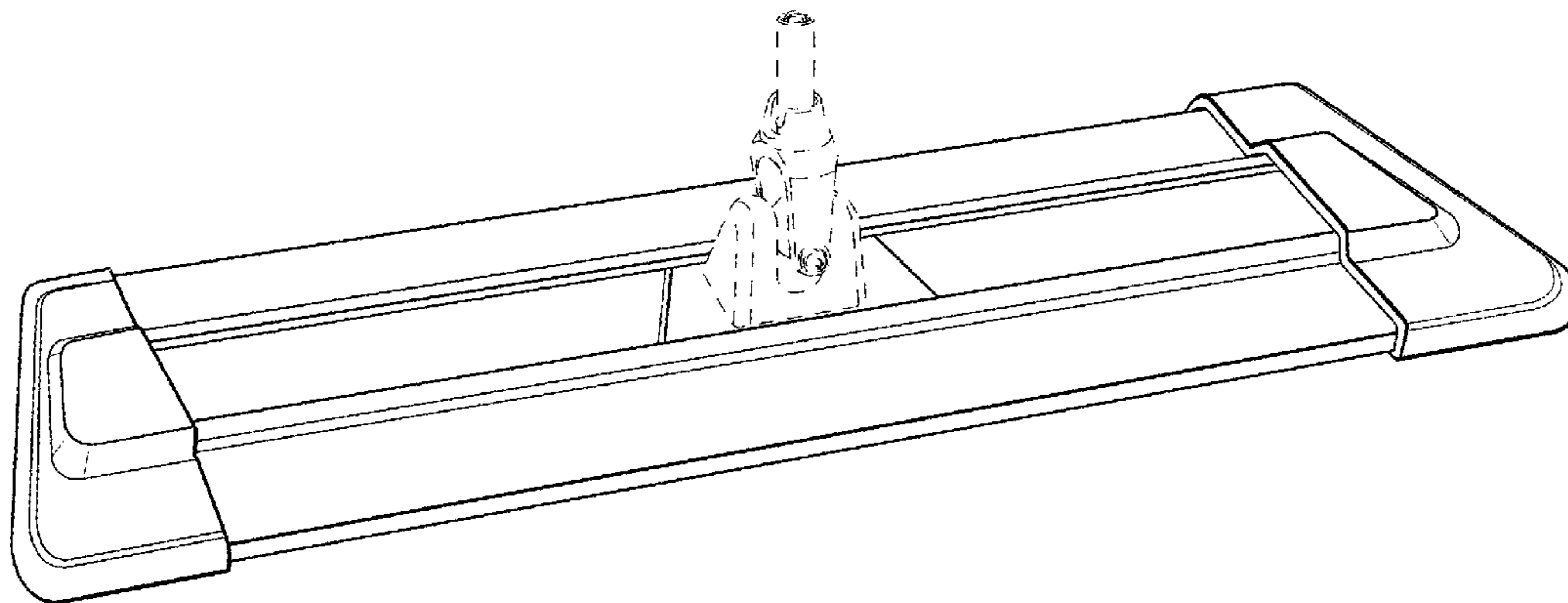


Fig. 1

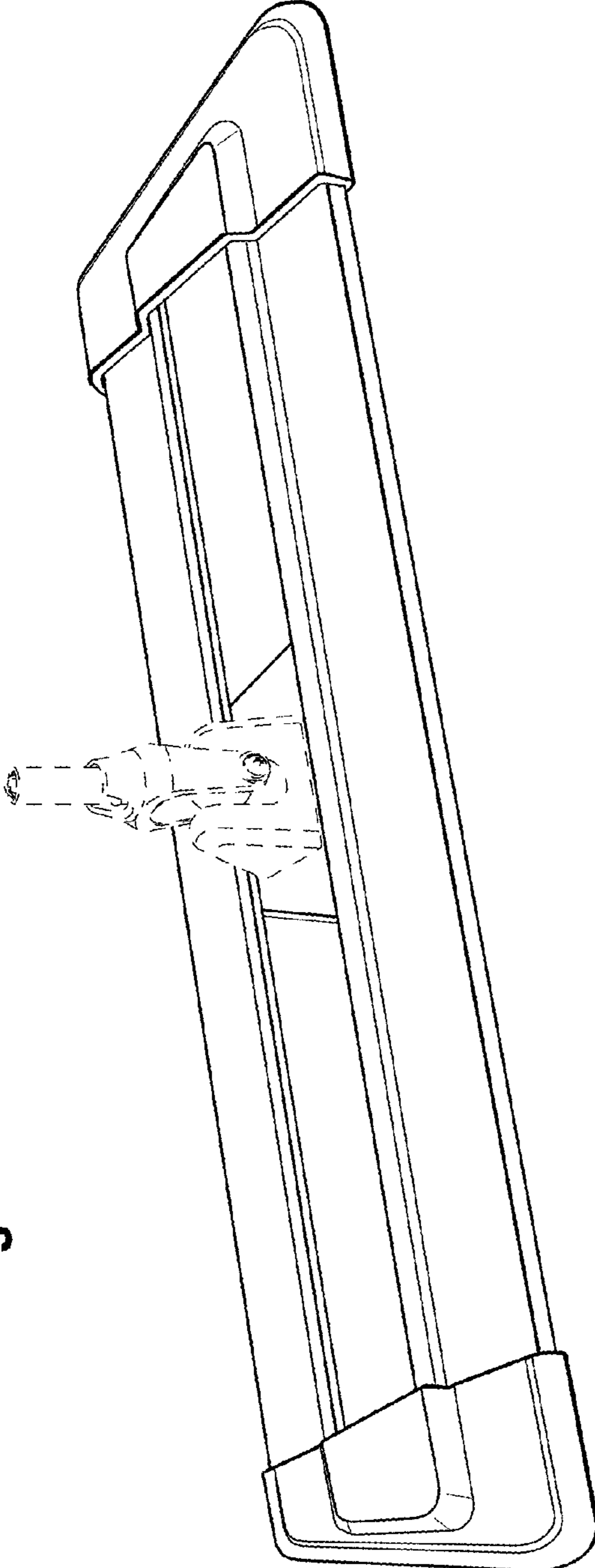
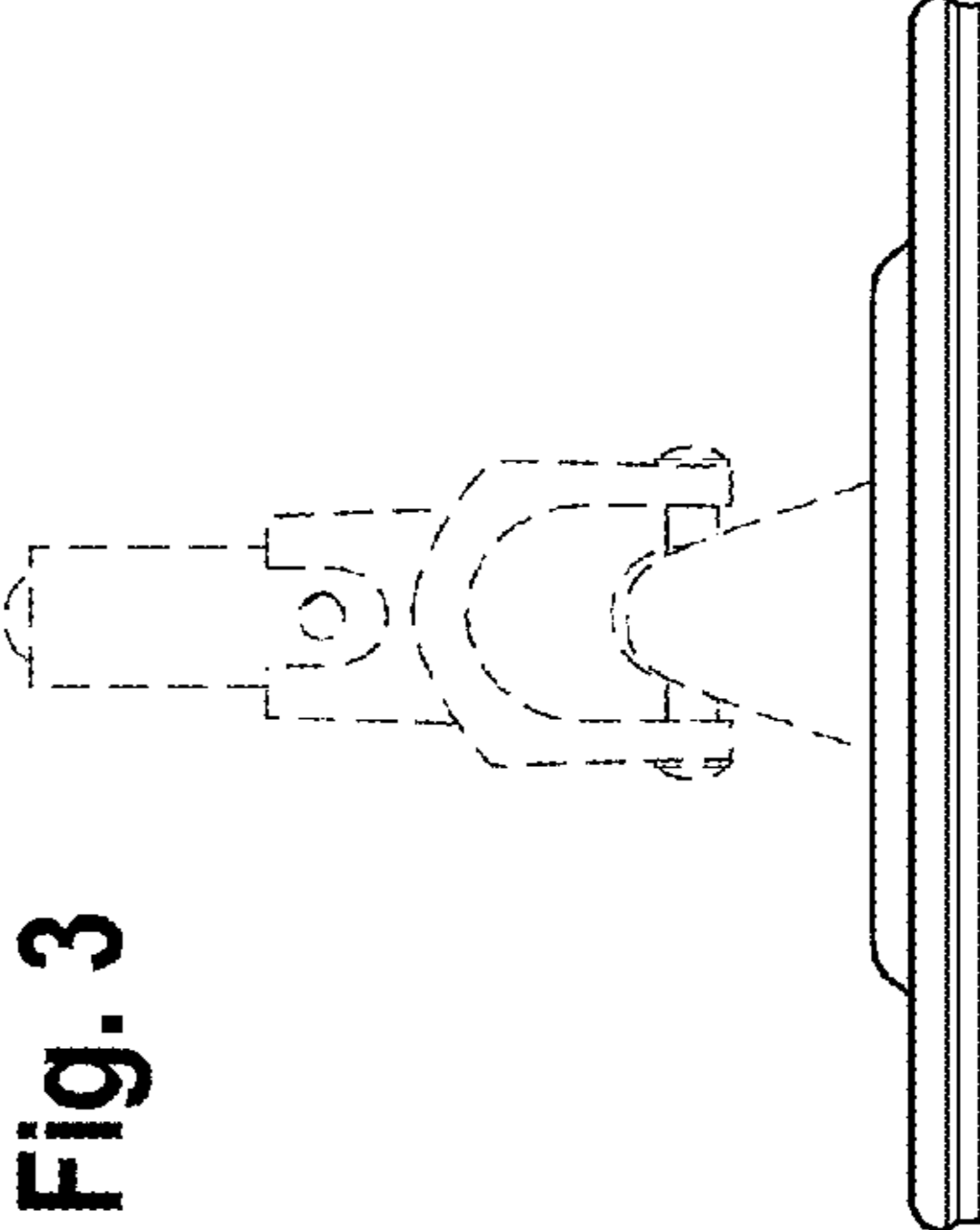


Fig. 3



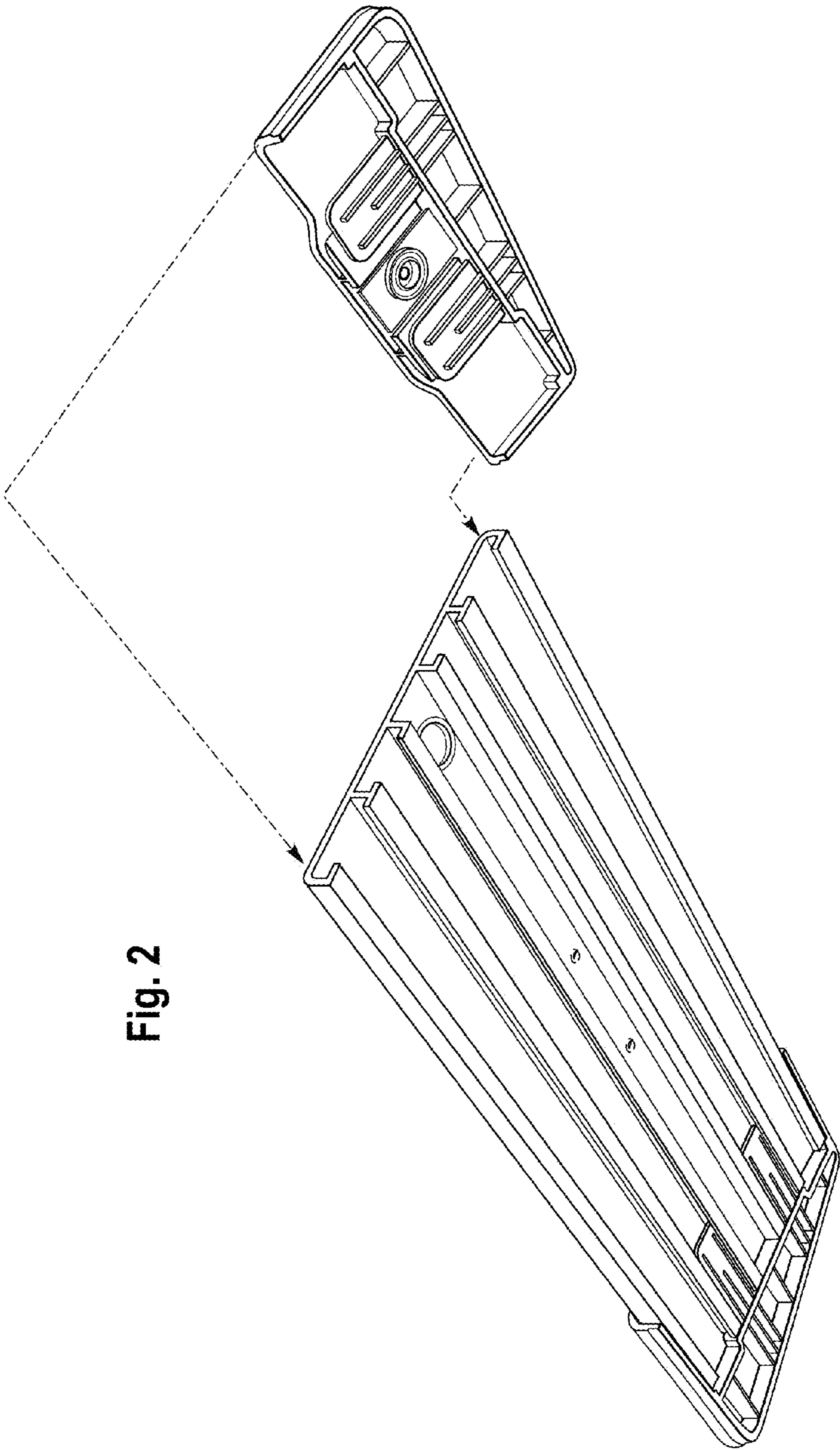


Fig. 2

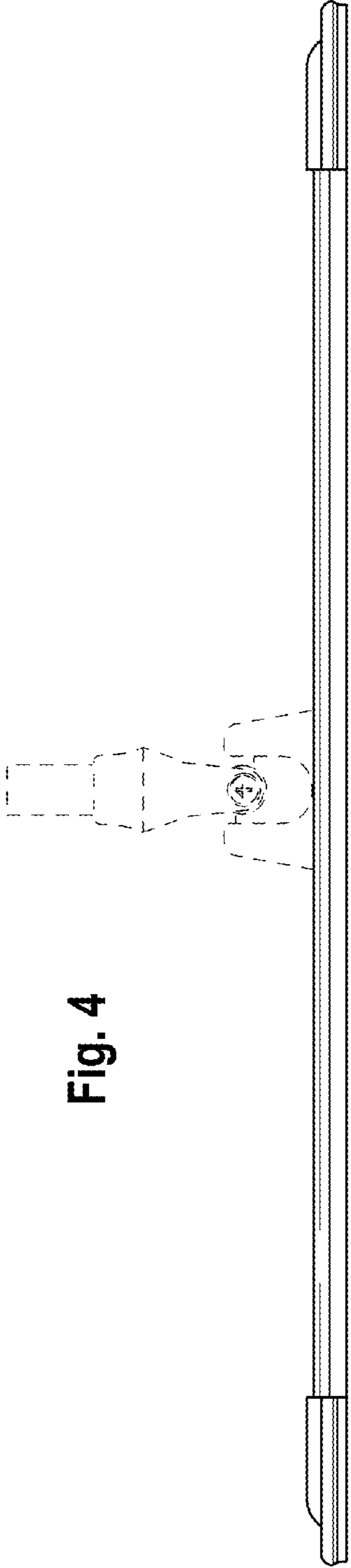
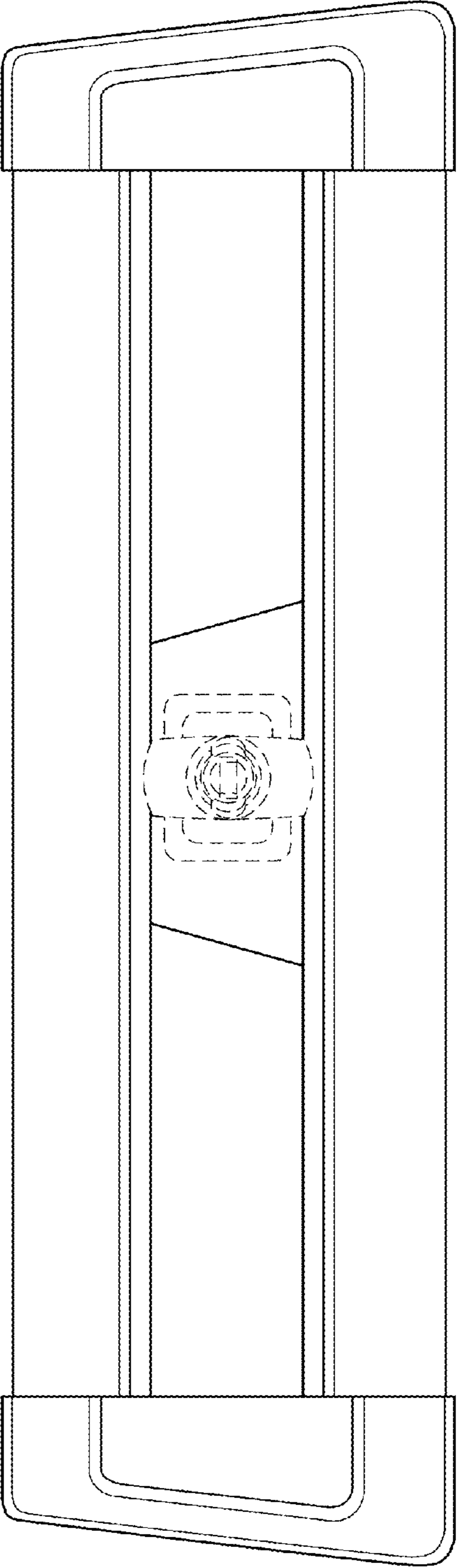


Fig. 4

Fig. 5



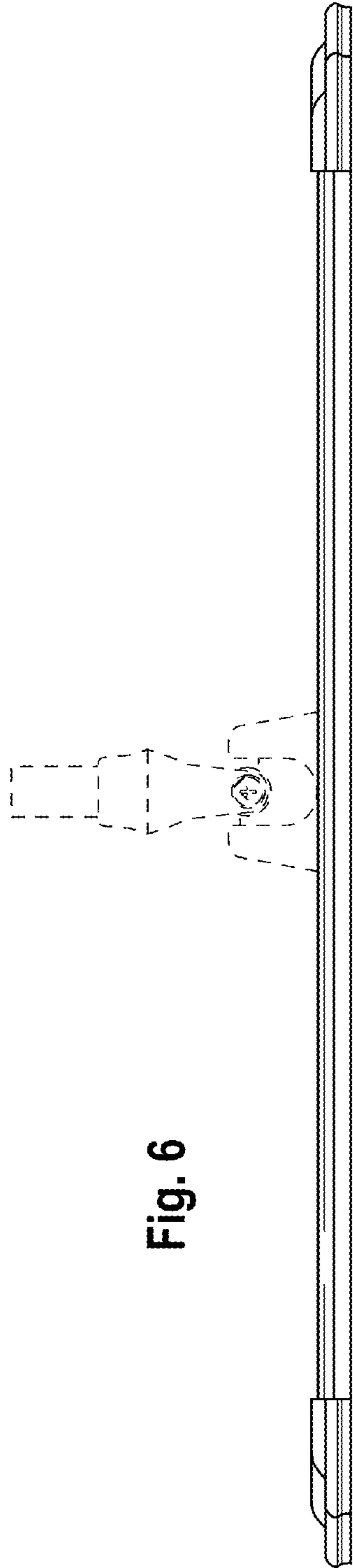


Fig. 6

Fig. 7

