



US00D731725S

(12) **United States Design Patent**
Jang et al.

(10) **Patent No.:** **US D731,725 S**
(45) **Date of Patent:** **** Jun. 9, 2015**

(54) **HANDLE FOR VACUUM CLEANER**
(71) Applicant: **Samsung Electronics Co., Ltd.**,
Suwon-si, Gyeonggi-do (KR)
(72) Inventors: **Jae-Ho Jang**, Seoul (KR); **Yeon-Young Nam**, Goyang-si (KR); **Yu-Na Park**,
Seoul (KR); **Sung-Kyung Lee**,
Seongnam-si (KR)
(73) Assignee: **SAMSUNG ELECTRONICS CO., LTD.** (KR)

D431,335	S	*	9/2000	Mehaffey et al.	D32/34
D543,325	S	*	5/2007	Burnham	D32/34
D565,266	S	*	3/2008	Crevling et al.	D32/34
D565,819	S	*	4/2008	Renner	D32/34
D611,666	S	*	3/2010	Umeda	D32/34
D641,113	S	*	7/2011	Choi et al.	D32/34
D641,114	S	*	7/2011	Choi et al.	D32/34
D642,755	S	*	8/2011	Fjellman	D32/34
D644,384	S	*	8/2011	Santiago et al.	D32/34
D644,385	S	*	8/2011	Hare et al.	D32/34
D670,056	S	*	10/2012	Ventress et al.	D32/34
8,671,517	B2	*	3/2014	Ventress et al.	15/410
2006/0026788	A1	*	2/2006	Fischer et al.	15/334

* cited by examiner

(**) Term: **14 Years**

Primary Examiner — Ruth McInroy

(21) Appl. No.: **29/468,691**

(74) *Attorney, Agent, or Firm* — Cantor Colburn LLP

(22) Filed: **Oct. 2, 2013**

(57) **CLAIM**

We claim, the ornamental design for a handle for vacuum cleaner, as shown and described.

(30) **Foreign Application Priority Data**

Apr. 4, 2013 (KR) 30-2013-0017310

(51) **LOC (10) Cl.** **15-05**

(52) **U.S. Cl.**
USPC **D32/34**

(58) **Field of Classification Search**
USPC D32/15-16, 18-21, 22, 30-34; D15/18;
D12/111, 114; 15/410-412, 246.2,
15/320, 329, 344, 350, 347, DIG. 10, 349,
15/351-353, 340.2, 361, 362; 55/DIG. 3,
55/323, 337, 429; D8/68-69

See application file for complete search history.

DESCRIPTION

FIG. 1 is a perspective view of a handle for vacuum cleaner, showing our new design;
FIG. 2 is a front elevation view thereof;
FIG. 3 is a rear elevation view thereof;
FIG. 4 is a side elevation view thereof;
FIG. 5 is a another side elevation view thereof;
FIG. 6 is a top plan view thereof;
FIG. 7 is a bottom plan view thereof;
FIG. 8 is a perspective view thereof showing the bristles in an extended position; and,
FIG. 9 is a perspective view thereof showing the nozzle in an extended position.

The broken lines illustrating portions of the handle for vacuum cleaner are for environmental purposes only and form no part of the claimed design.

(56) **References Cited**

U.S. PATENT DOCUMENTS

D315,043	S	*	2/1991	Hayden	D32/34
5,109,568	A	*	5/1992	Rohn et al.	15/410
D333,023	S	*	2/1993	Herron, Jr.	D32/34
D334,447	S	*	3/1993	Rohn	D32/34

1 Claim, 9 Drawing Sheets

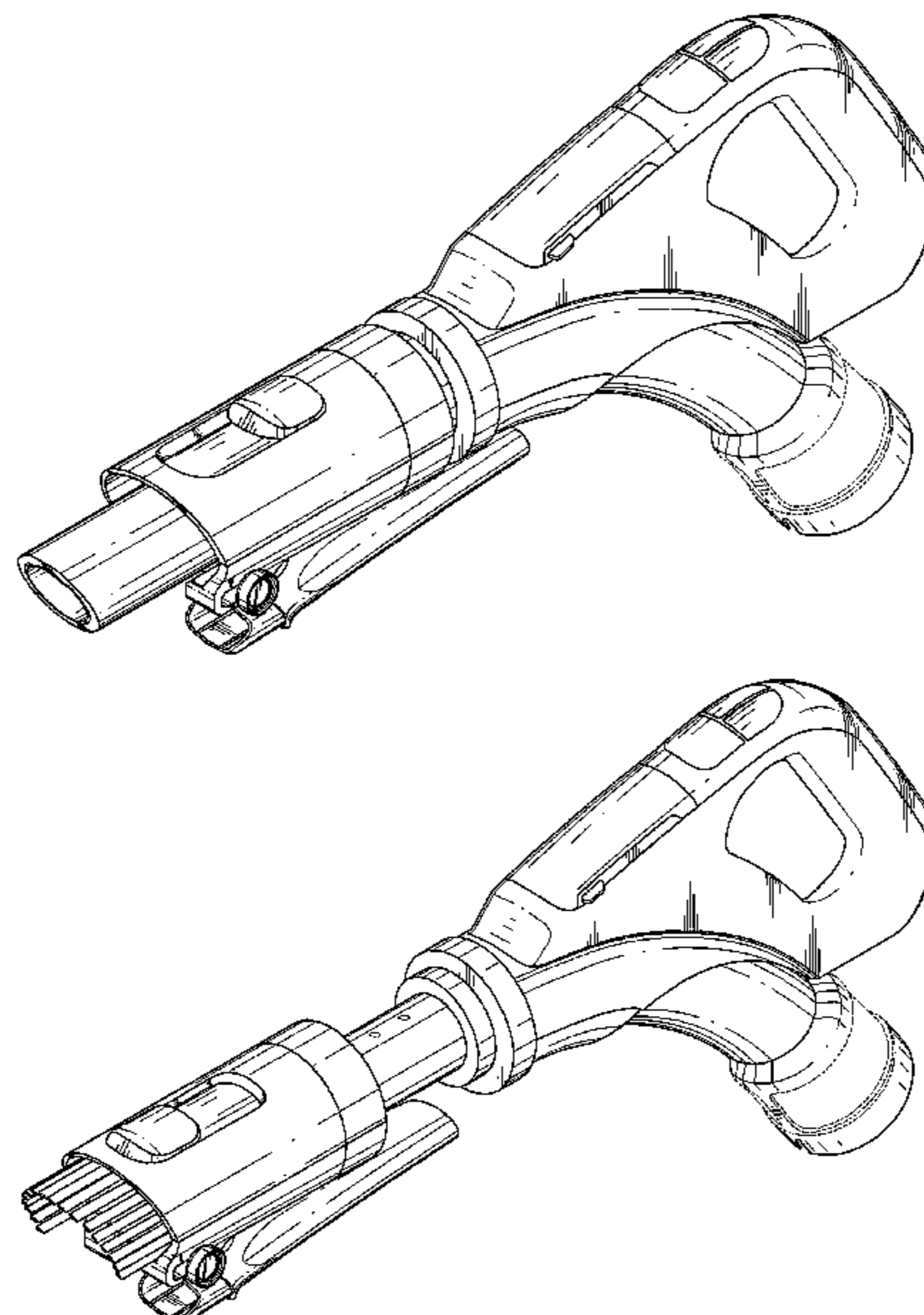


FIG. 1

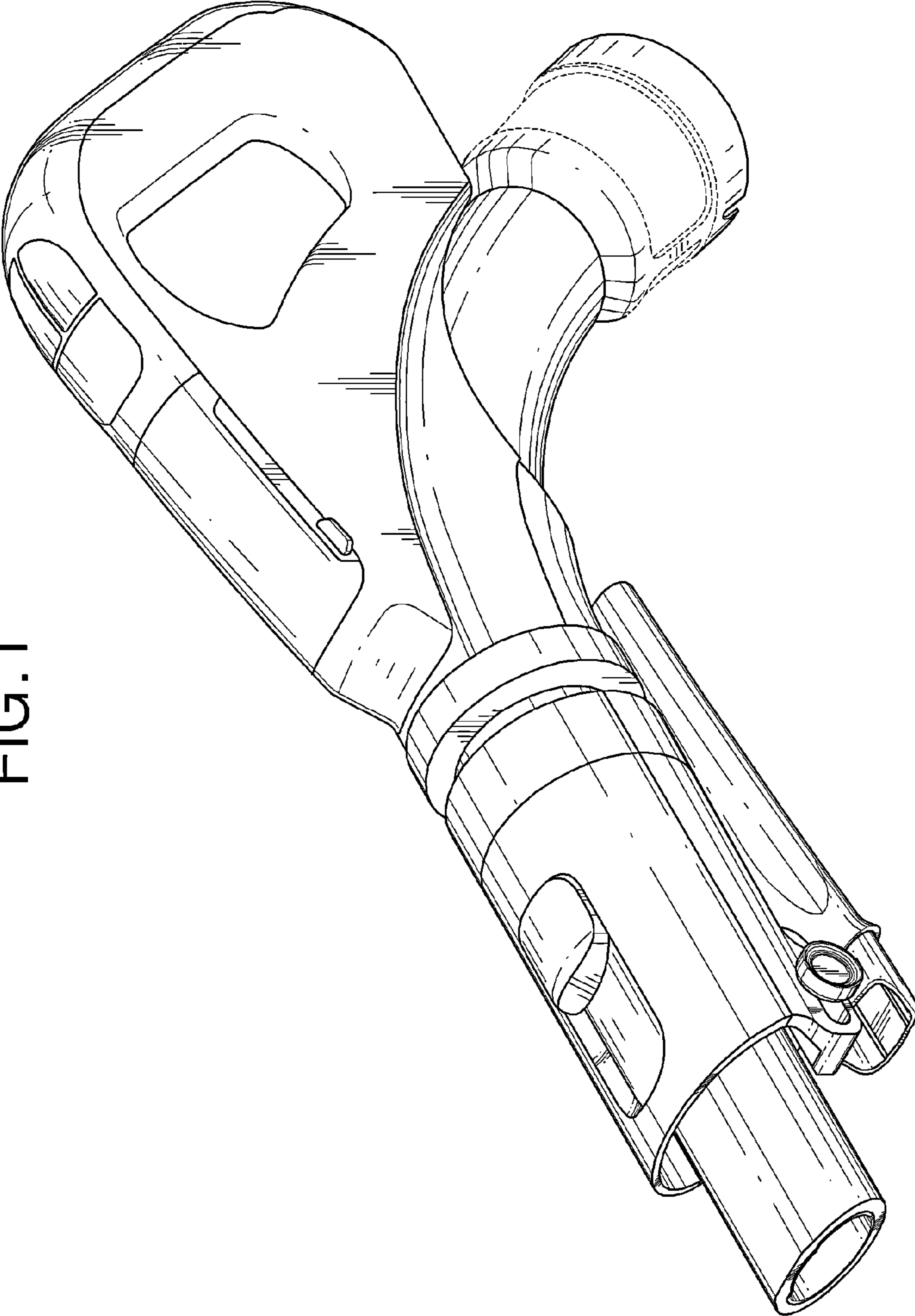


FIG. 2

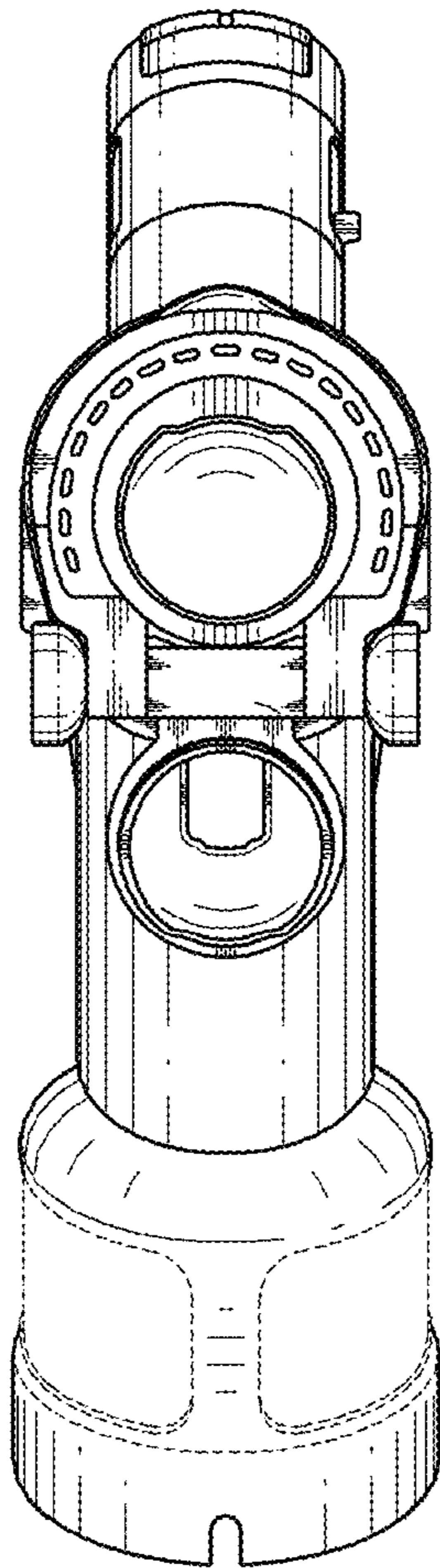


FIG. 3

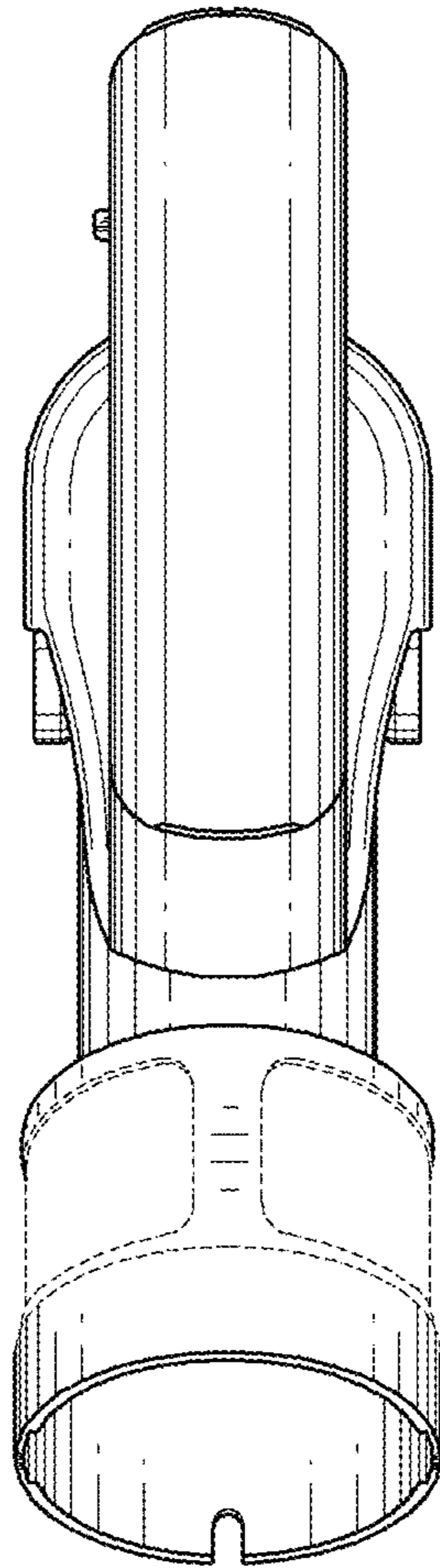


FIG. 4

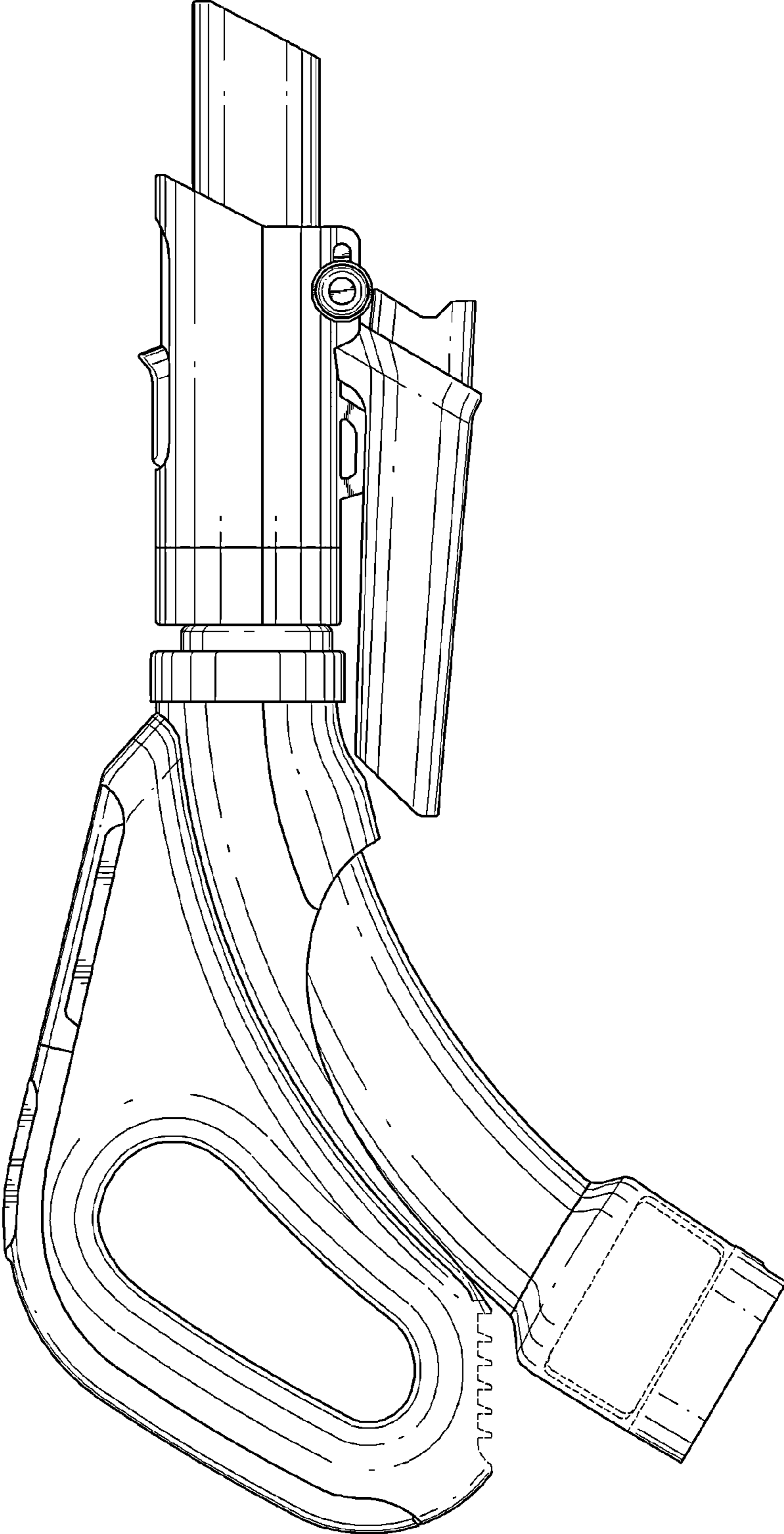


FIG. 5

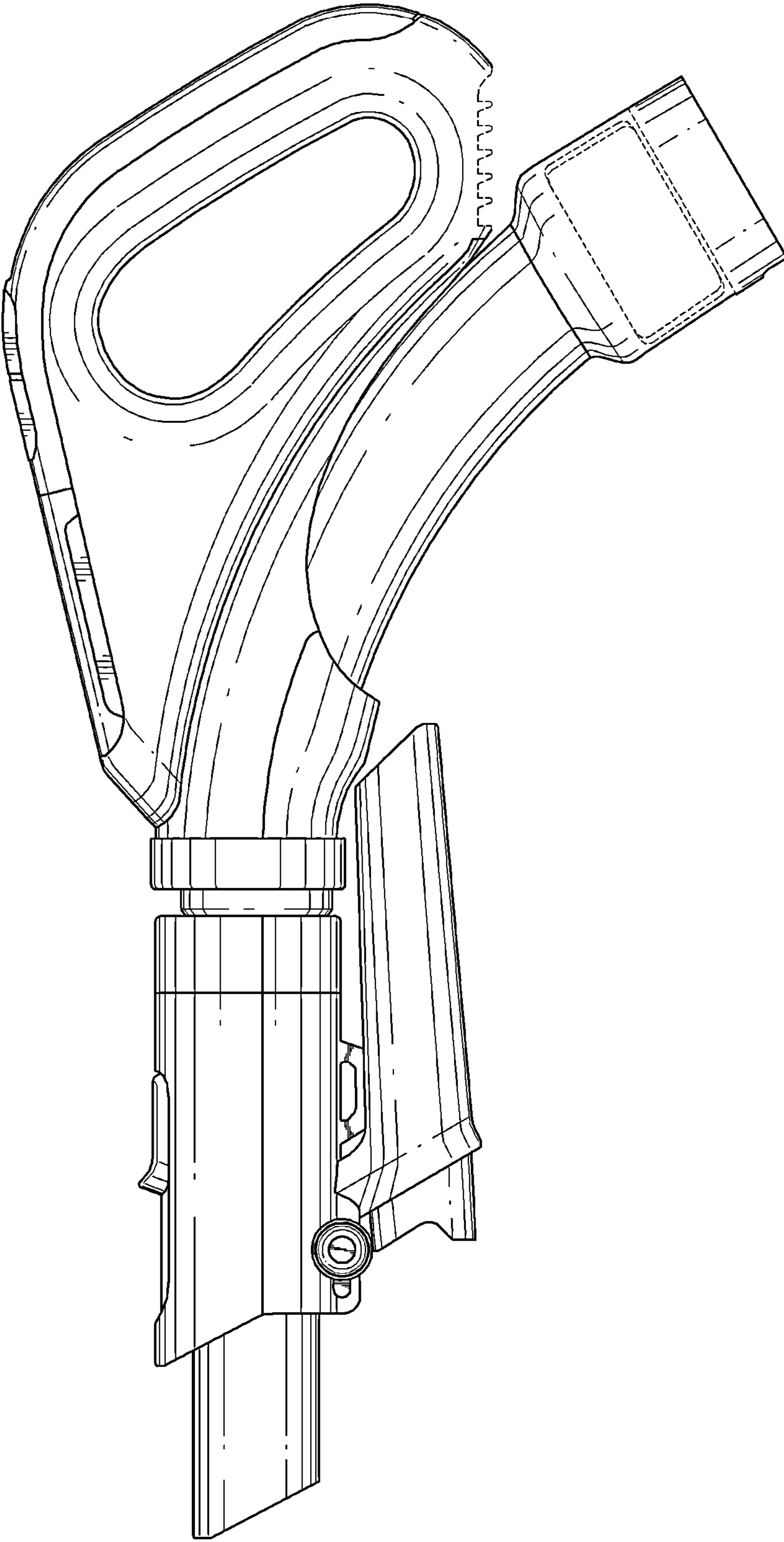


FIG. 6

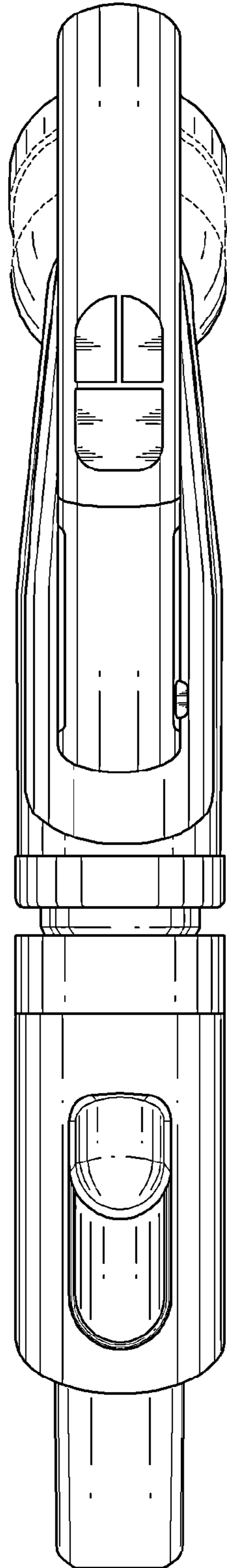


FIG. 7

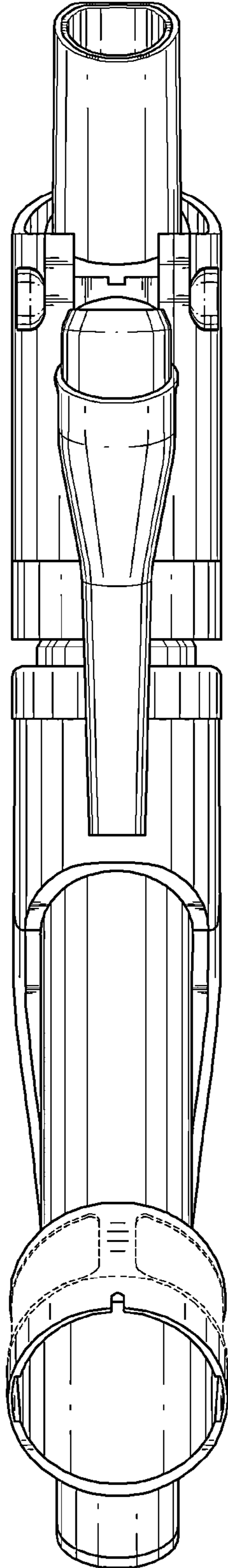


FIG. 8

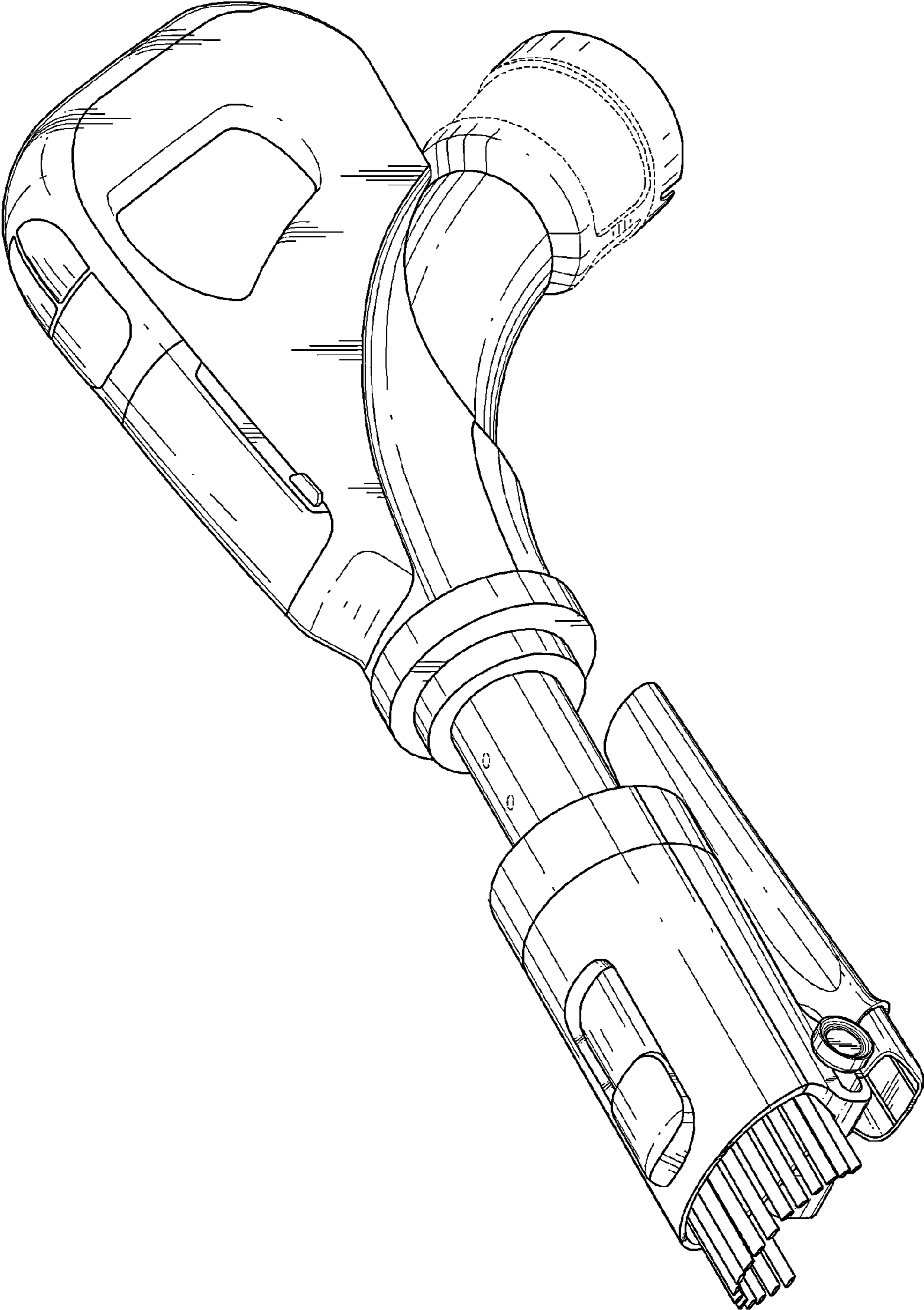


FIG. 9

